

United States Patent [19]

Hara et al.

[11] Patent Number: **Des. 302,007**

[45] Date of Patent: **** Jul. 4, 1989**

[54] **IMAGE SCANNER**

[75] Inventors: **Kunio Hara, Chiba; Shin-ichi Hiroki, Tokyo, both of Japan**

[73] Assignee: **Kabushiki Kaisha Toshiba, Kanawaga, Japan**

[**] Term: **14 Years**

[21] Appl. No.: **931,567**

[22] Filed: **Nov. 14, 1986**

[30] **Foreign Application Priority Data**

May 15, 1986 [JP] Japan 61-18036

[52] U.S. Cl. **D14/107**

[58] Field of Search D14/100, 105, 107, 111, D14/114, 116; D16/1, 2, 27, 28, 29, 30, 31, 32; D18/13, 22, 23; 354/80, 81, 82; 355/1, 7, 8, 14 SH, 19, 45, 46, 47; 235/475, 479, 440, 454, 462, 470, 471, 472, 473, 483, 484, 486; 250/203 R, 216, 566, 568; 358/285, 286, 256, 292, 293, 294; 382/58, 59, 62, 63, 65, 66, 67, 68

[56] **References Cited**

U.S. PATENT DOCUMENTS

D. 286,048 10/1986 Sutoh et al. D14/107

D. 295,528 5/1988 Masaki et al. D16/31
4,704,638 11/1987 Igarashi 358/285 X

OTHER PUBLICATIONS

NEC's PC-9800 CAI System Catalog Dempa Sinbun Dated Apr. 15, 1986 Showing NEC System.
NEC's Po-10 OCR Catalog Hitachi's MS-400 Image Scanner Catalog.
Ricoh's IS20 Image Scanner Catalog.

Primary Examiner—Susan J. Lucas
Assistant Examiner—Freda S. Nunn
Attorney, Agent, or Firm—Banner, Birch, McKie & Beckett

[57] **CLAIM**

The ornamental design for an image scanner, as shown.

DESCRIPTION

FIG. 1 is a top, front and left-side perspective view of an image scanner showing our new design;
FIG. 2 is a front elevational view thereof;
FIG. 3 is a rear elevational view thereof;
FIG. 4 is a top plan view thereof;
FIG. 5 is a bottom plan view thereof;
FIG. 6 is a right side elevational view thereof; and
FIG. 7 is a left side elevational view thereof.

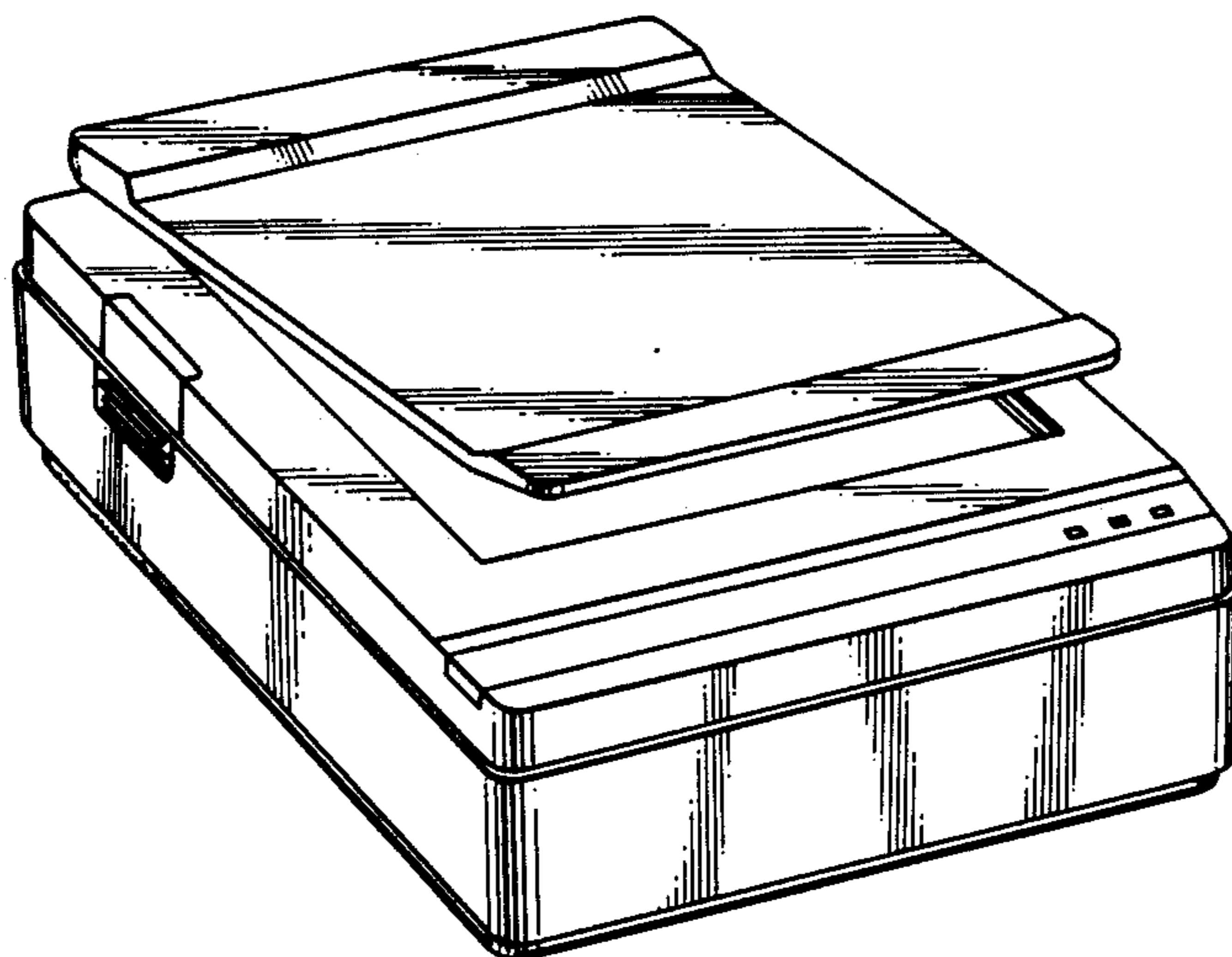


FIG. 1

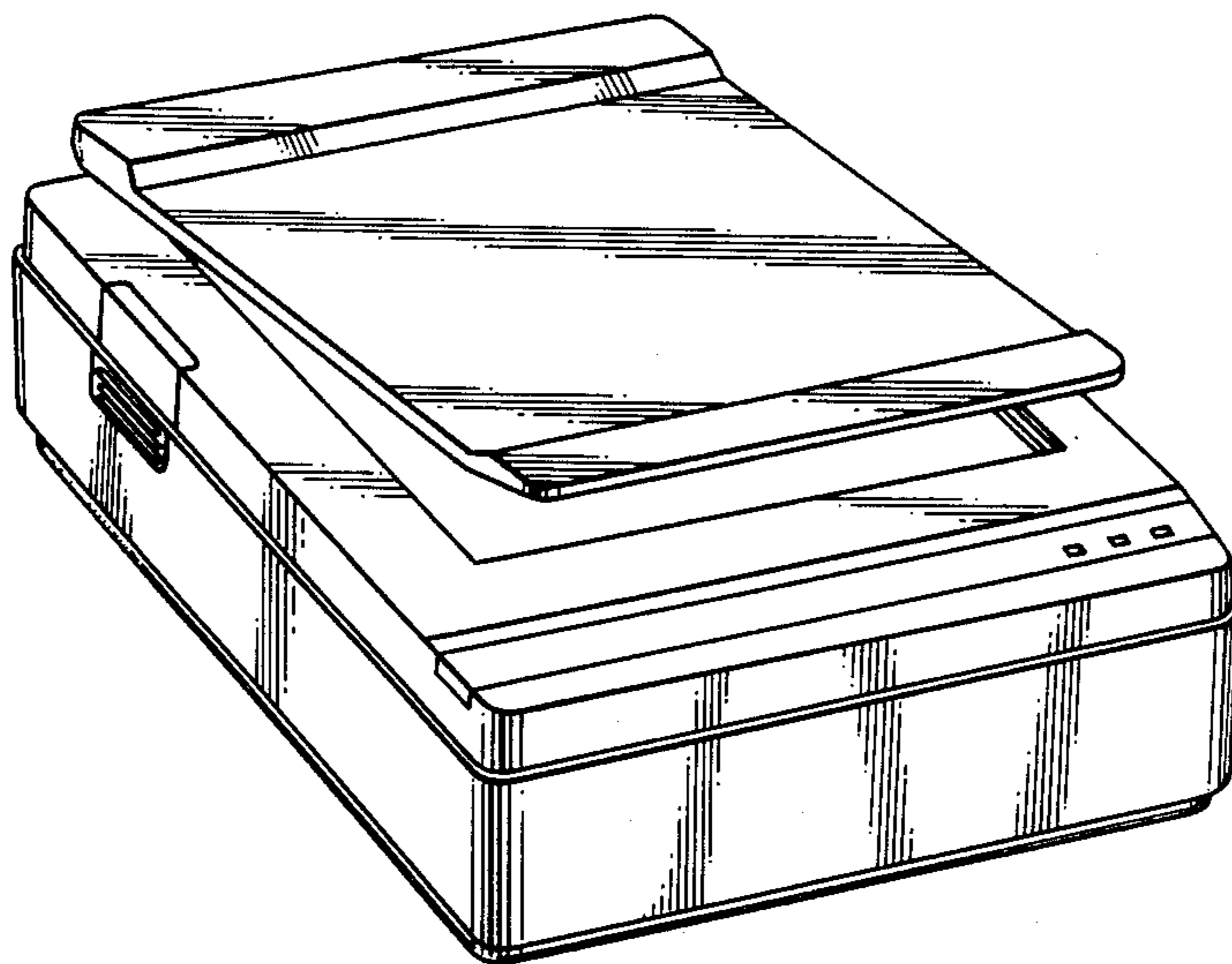


FIG. 2

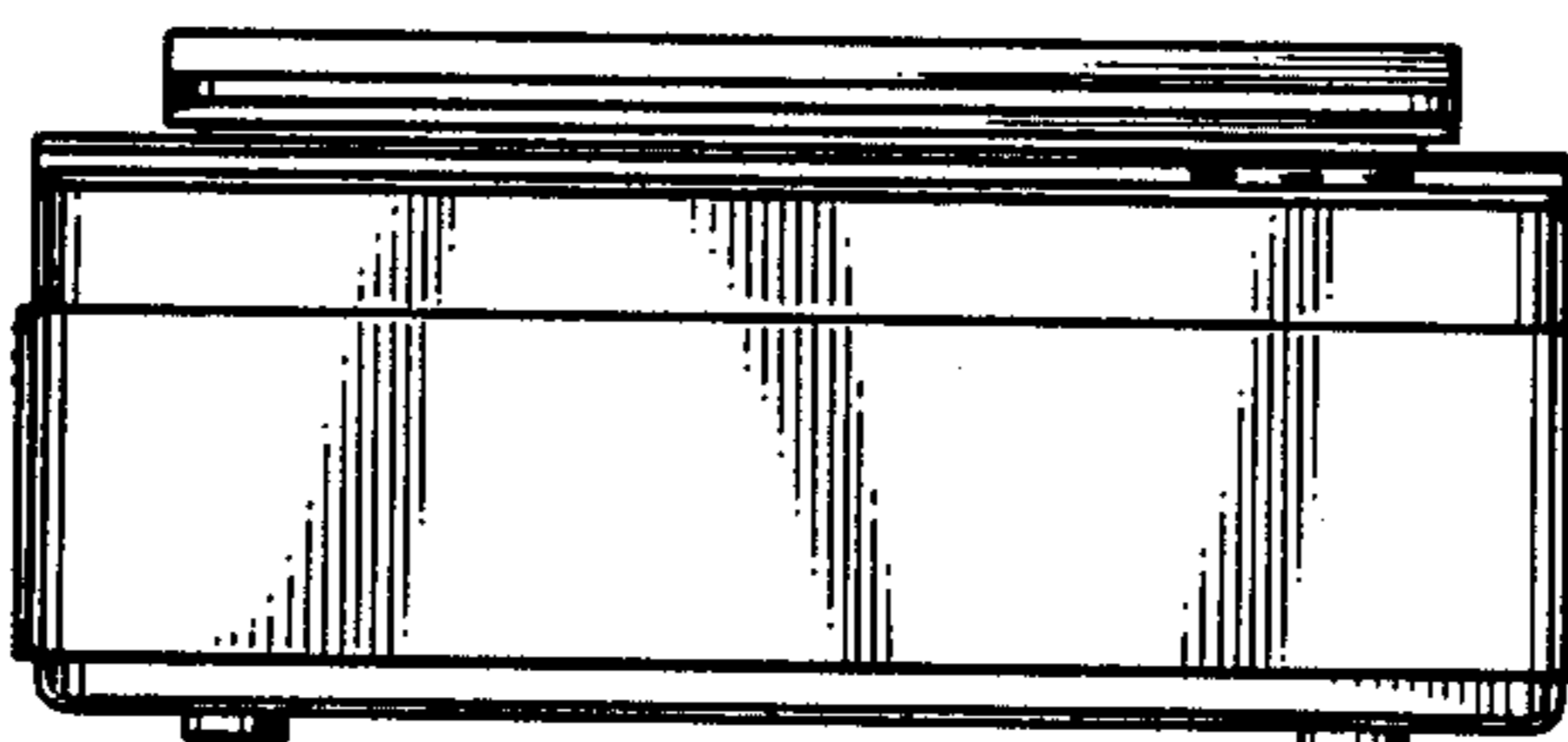


FIG. 3

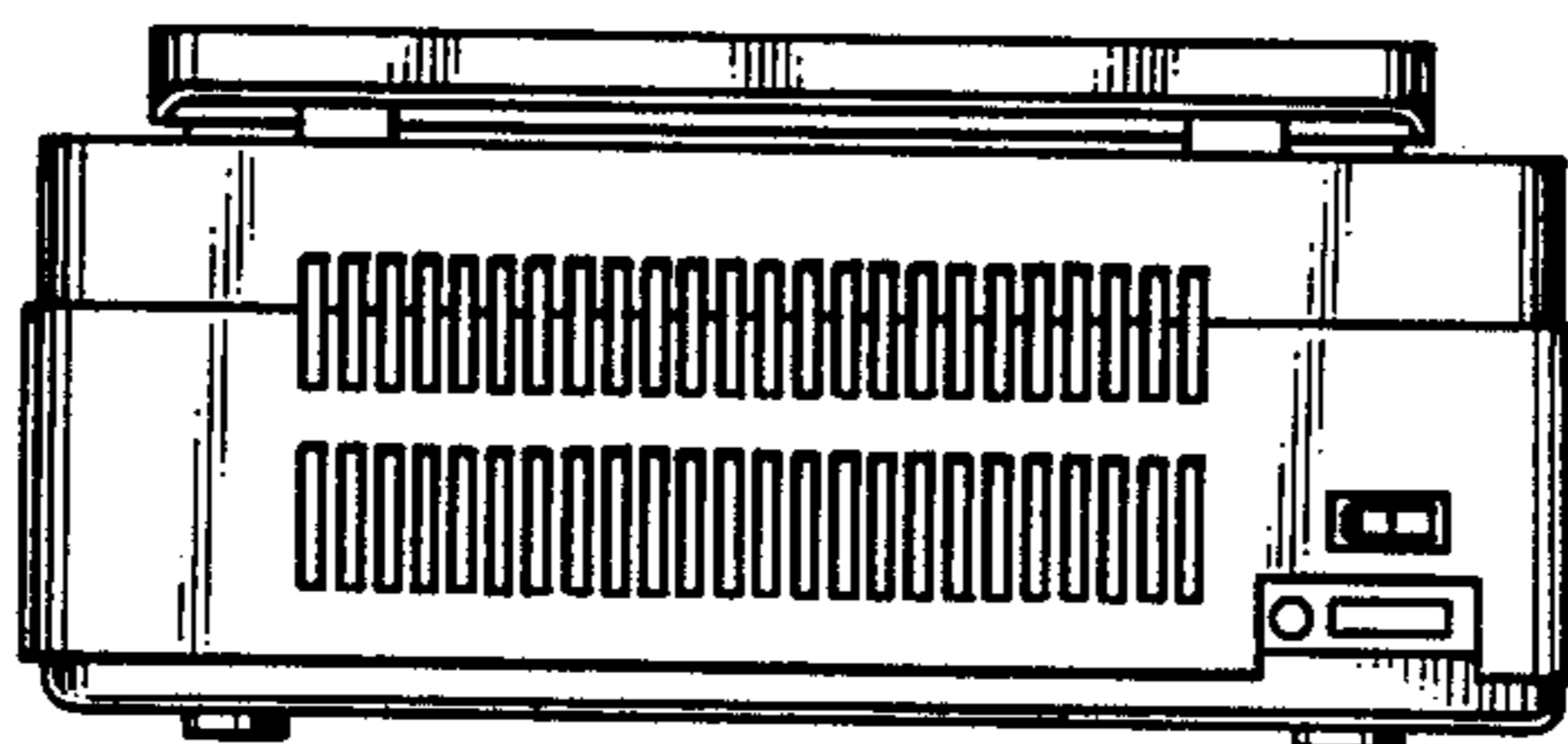


FIG. 4

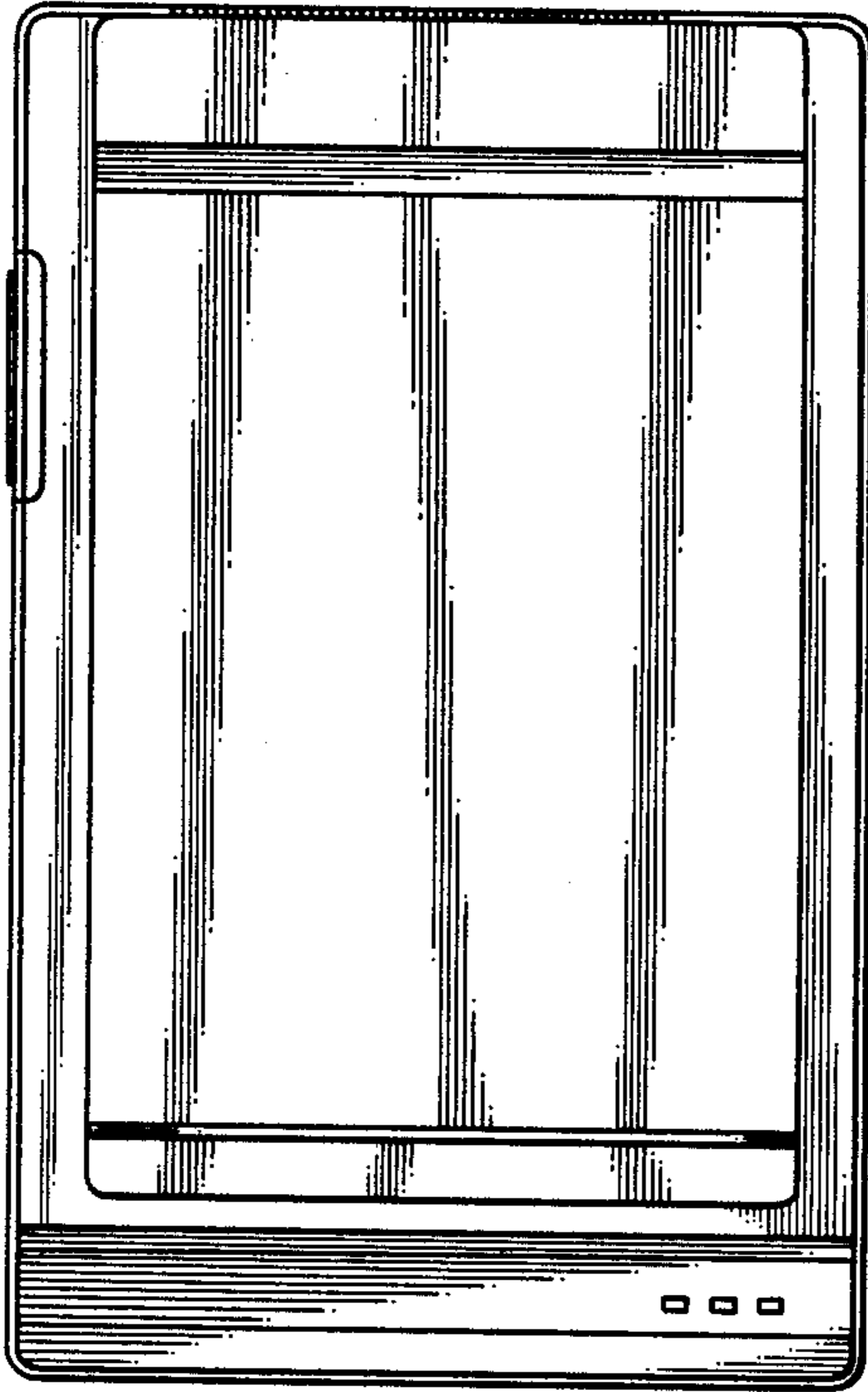


FIG. 5

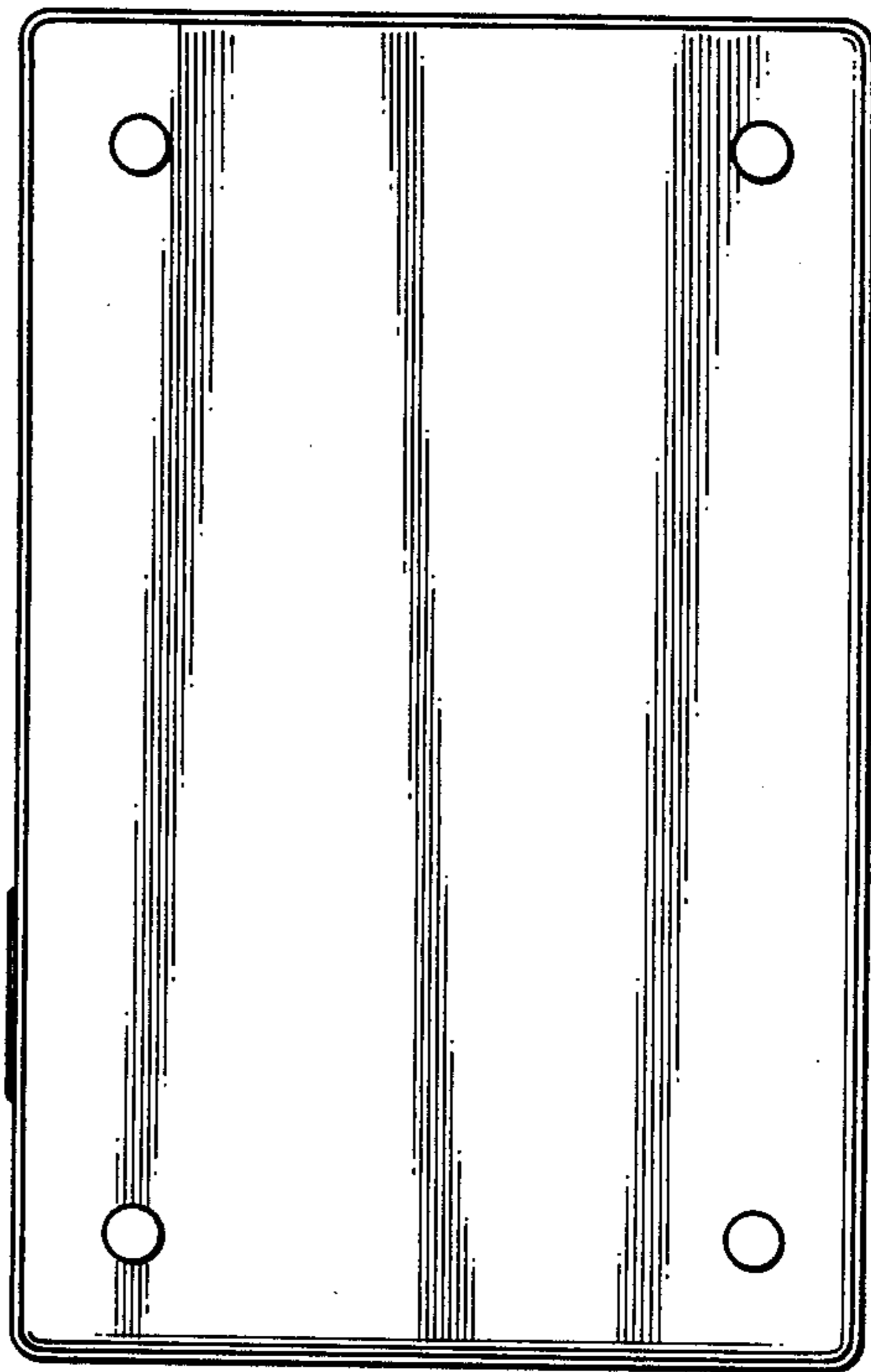


FIG. 6

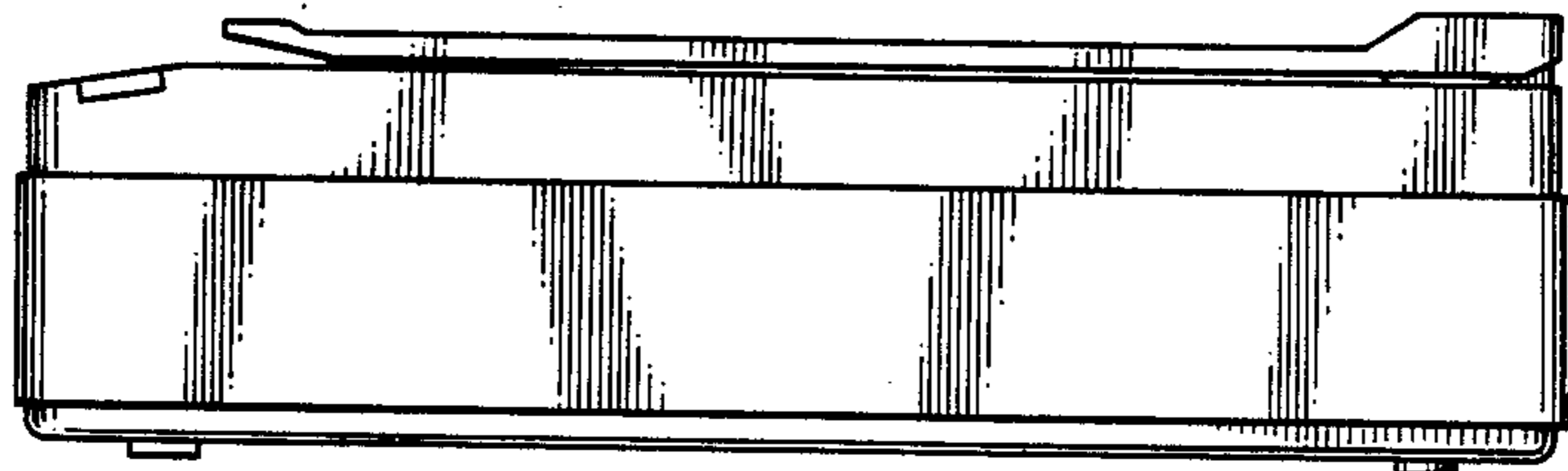


FIG. 7

