

[54] WHEEL

[75] Inventors: Leif H. Chapman, Sylvan Lake;
Richard F. Ruzzin, Grosse Pointe,
both of Mich.

[73] Assignee: General Motors Corporation, Detroit,
Mich.

[**] Term: 14 Years

[21] Appl. No.: 95,936

[22] Filed: Sep. 14, 1987

[52] U.S. Cl. D12/211

[58] Field of Search D12/209, 211; 301/63 R,
301/64 R, 64 SD, 65

[56] References Cited

U.S. PATENT DOCUMENTS

D. 267,564	1/1983	Wright	D12/211
D. 273,781	5/1984	Chapman	D12/211
D. 288,313	2/1987	Sandberg	D12/211
D. 288,431	2/1987	Arai	D12/211
667,291	2/1901	Brion	D12/211

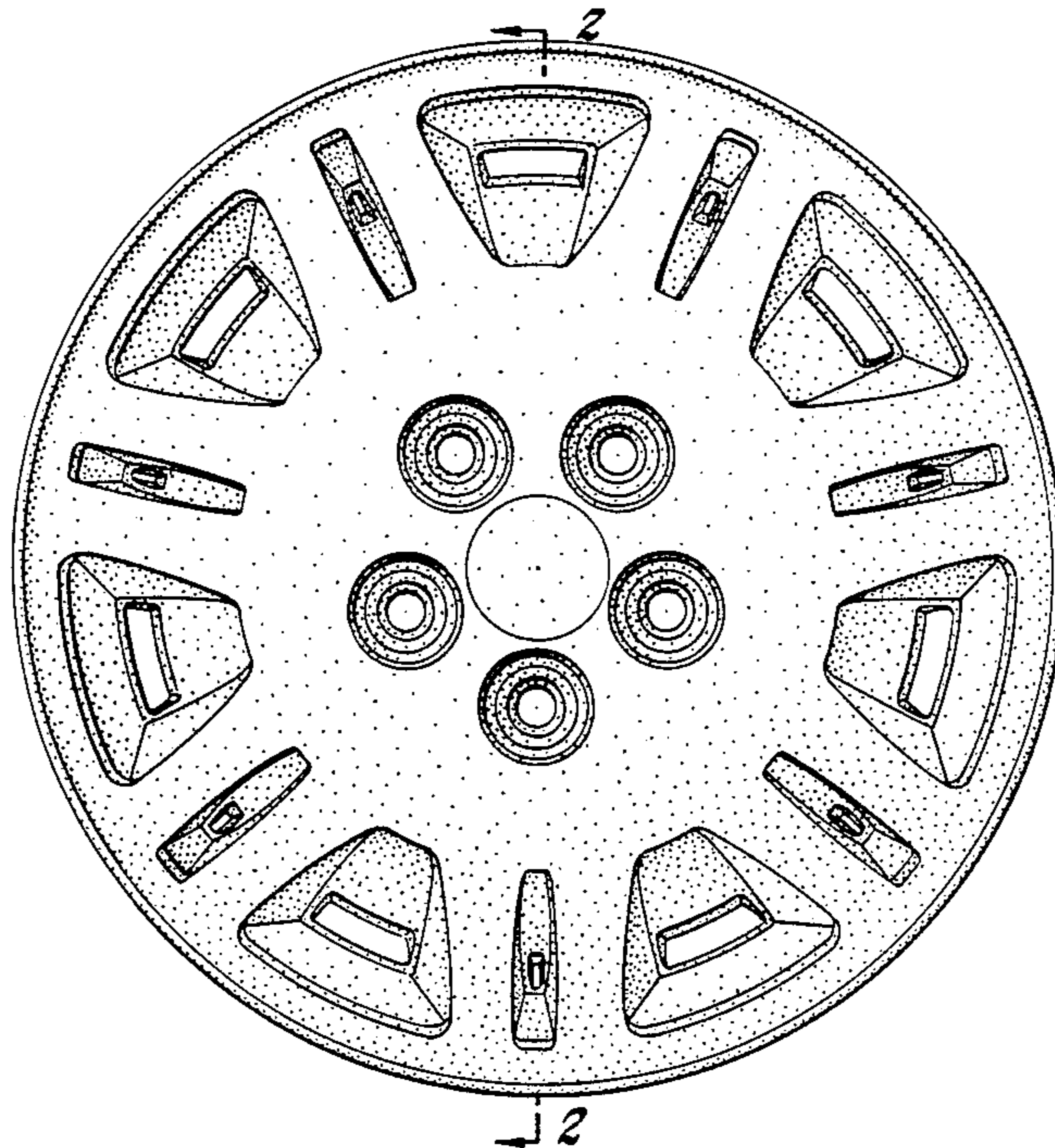
Primary Examiner—James M. Gandy
Attorney, Agent, or Firm—Herbert Furman

[57] CLAIM

The ornamental design for a wheel, as shown.

DESCRIPTION

FIG. 1 is a front elevational view of a wheel, and
FIG. 2 is a sectional view taken on line 2—2 of FIG. 1.



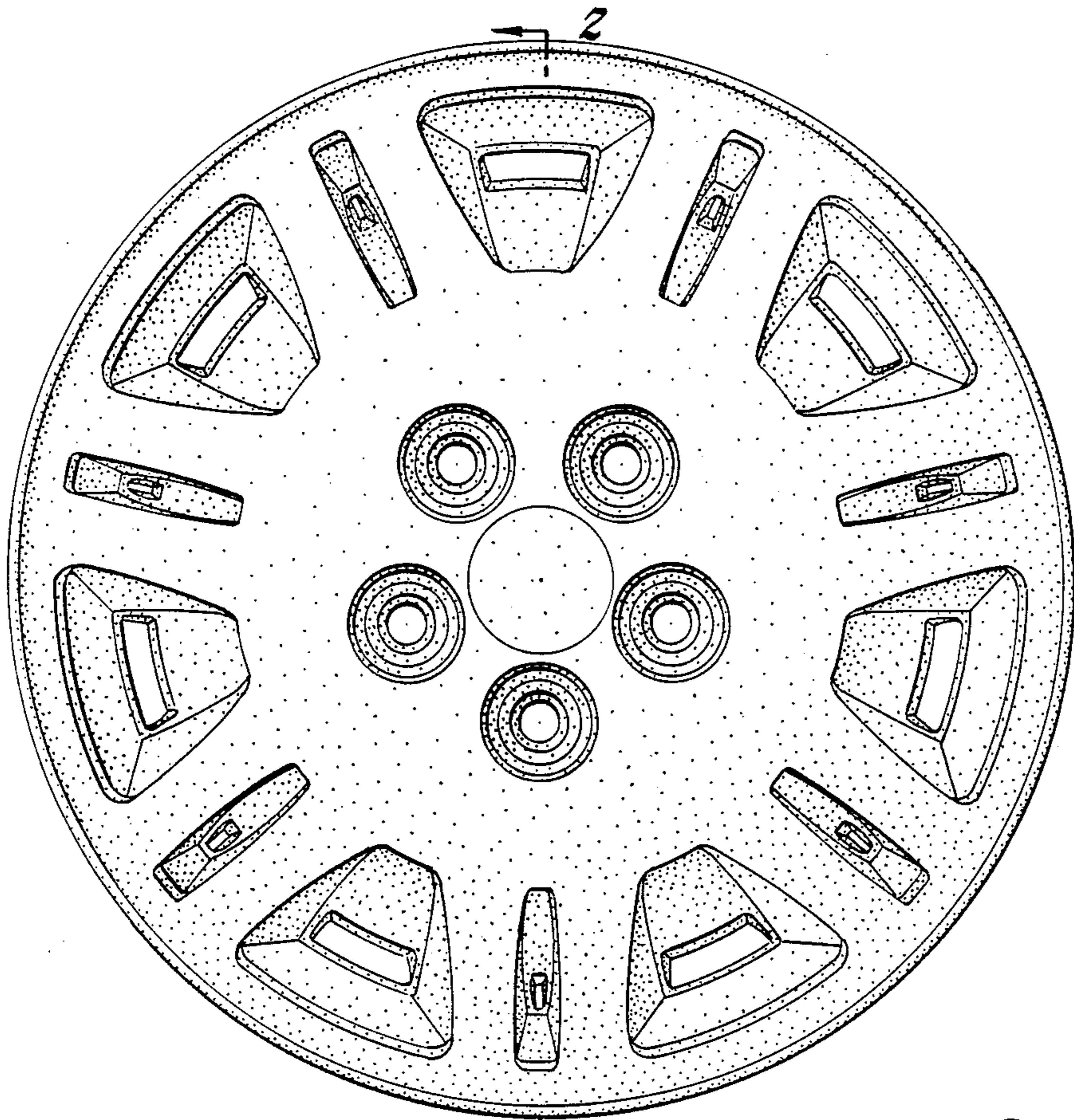


Fig. 1

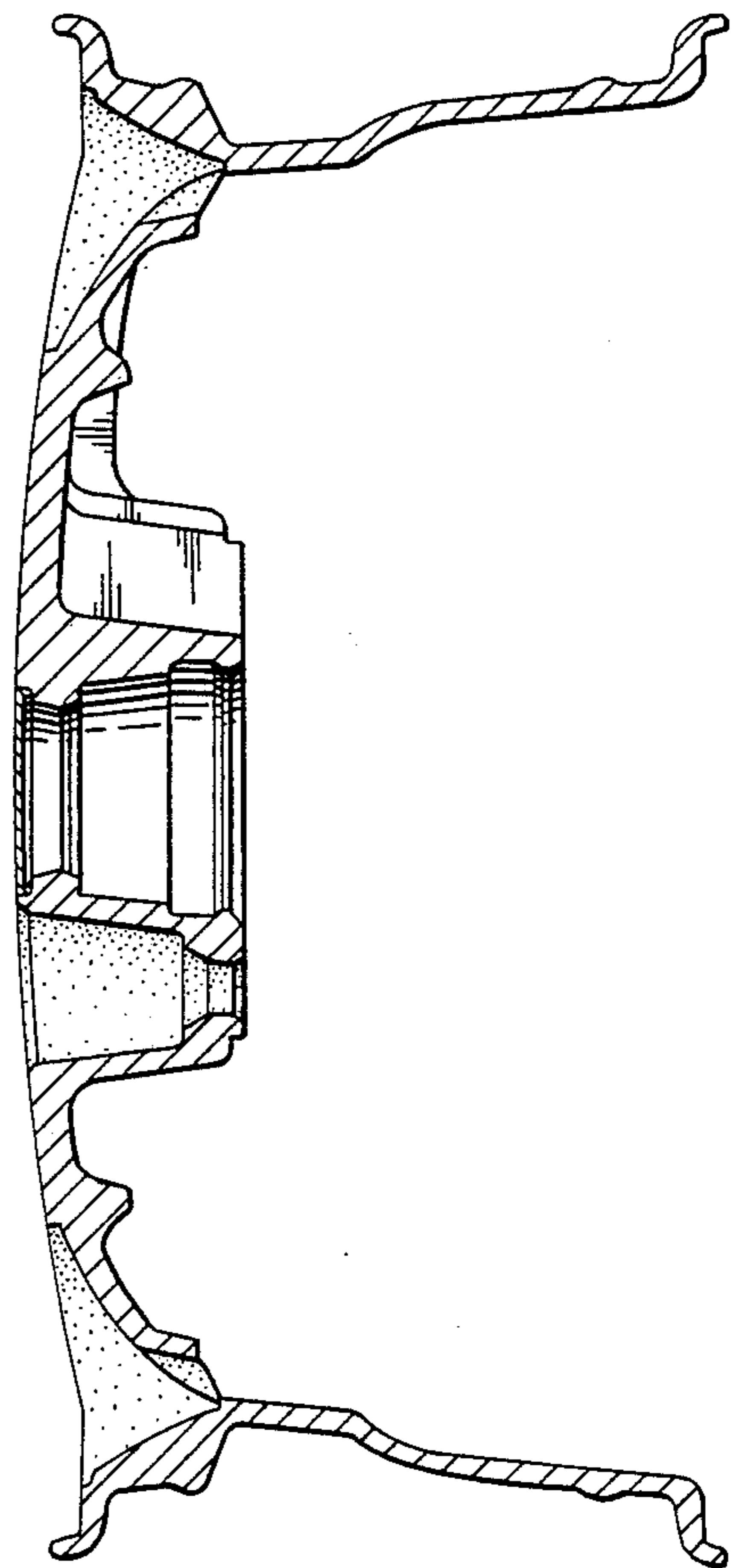


Fig. 2