

[54] VEHICLE WHEEL COVER

[75] Inventor: Tomoyuki Arai, Saitama, Japan

[73] Assignee: Honda Giken Kogyo Kabushiki Kaisha, Tokyo, Japan

[\*\*] Term: 14 Years

[21] Appl. No.: 923,706

[22] Filed: Oct. 27, 1986

[52] U.S. Cl. .... D12/209

[58] Field of Search ..... D12/209, 211, 206; 301/37 R, 37 P, 37 CM, 37 C, 63 PW, 64 R, 64 SD, 65

[56] References Cited

FOREIGN PATENT DOCUMENTS

2750425 5/1979 Fed. Rep. of Germany .... 301/37 R

OTHER PUBLICATIONS

Road & Track, 12/85, p. 52, Chrysler-Maserati Wheel, bottom of page.

Road & Track, 12/85, p. 36, Volvo Wheel, center of page.

1985 Conquest, Colt & Vista Catalog, p. 17, Colt Premier Sedan Wheel.

Primary Examiner—James M. Gandy  
Attorney, Agent, or Firm—Lyon & Lyon

[57] CLAIM

The ornamental design for a vehicle wheel cover, as shown.

DESCRIPTION

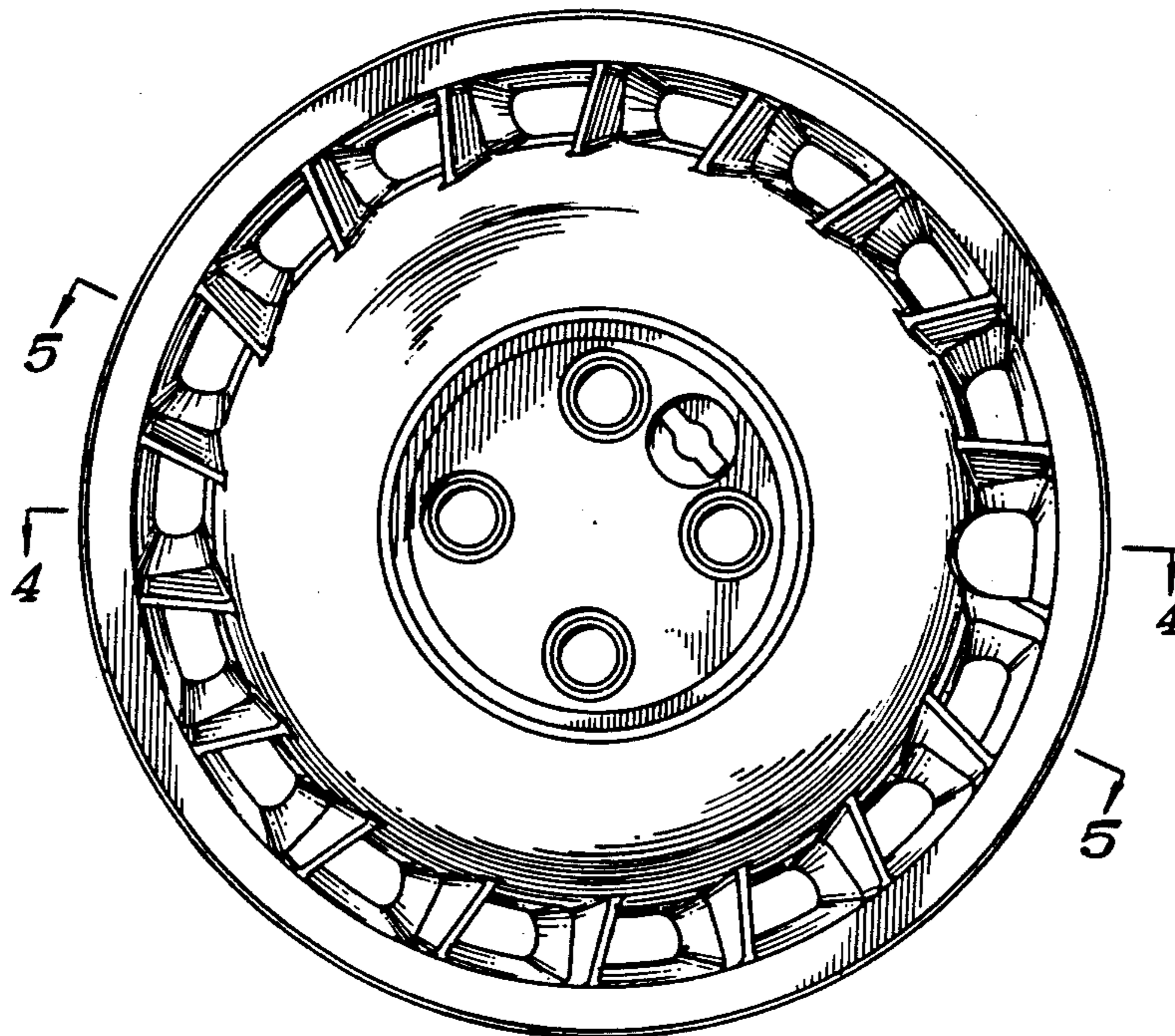
FIG. 1 is a front elevation view of the vehicle wheel cover showing my new design;

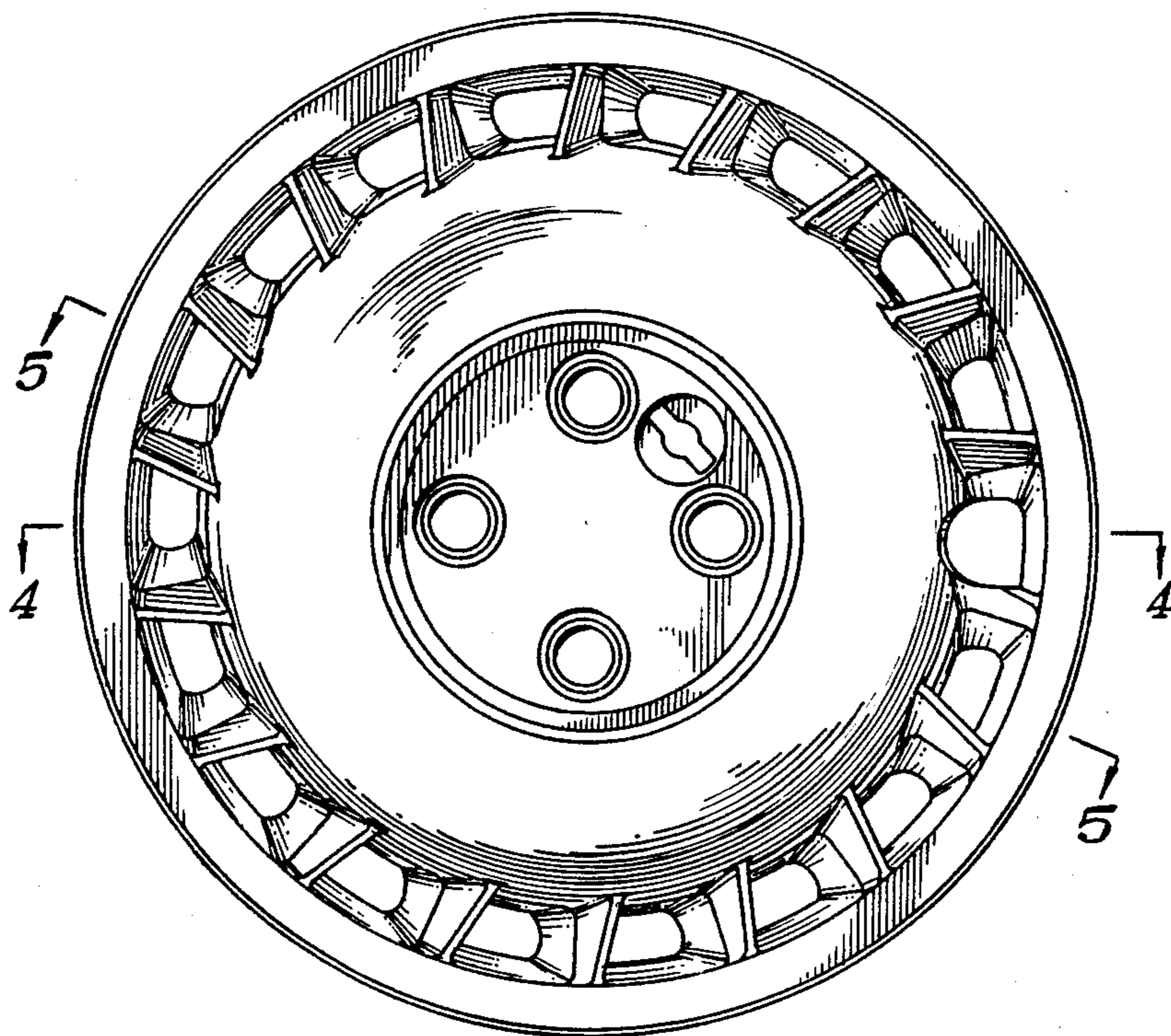
FIG. 2 is a bottom plan view thereof;

FIG. 3 is a rear elevation view thereof;

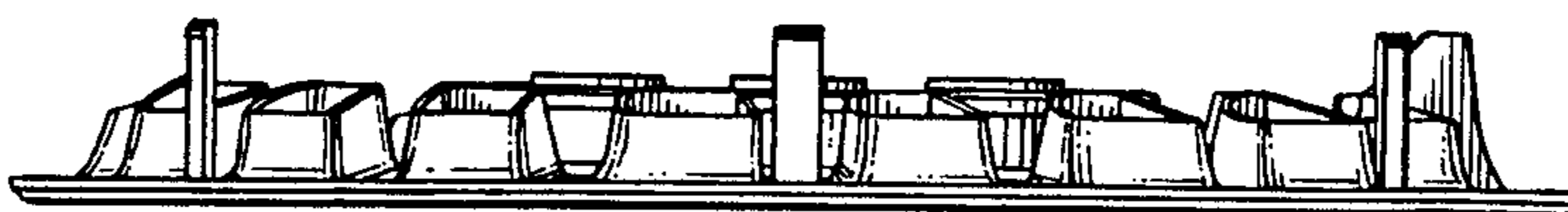
FIG. 4 is a sectional view taken substantially on the line IV—IV in FIG. 1; and

FIG. 5 is a sectional view taken substantially on the line V—V shown in FIG. 1.





*FIG. 1.*



*FIG. 2*

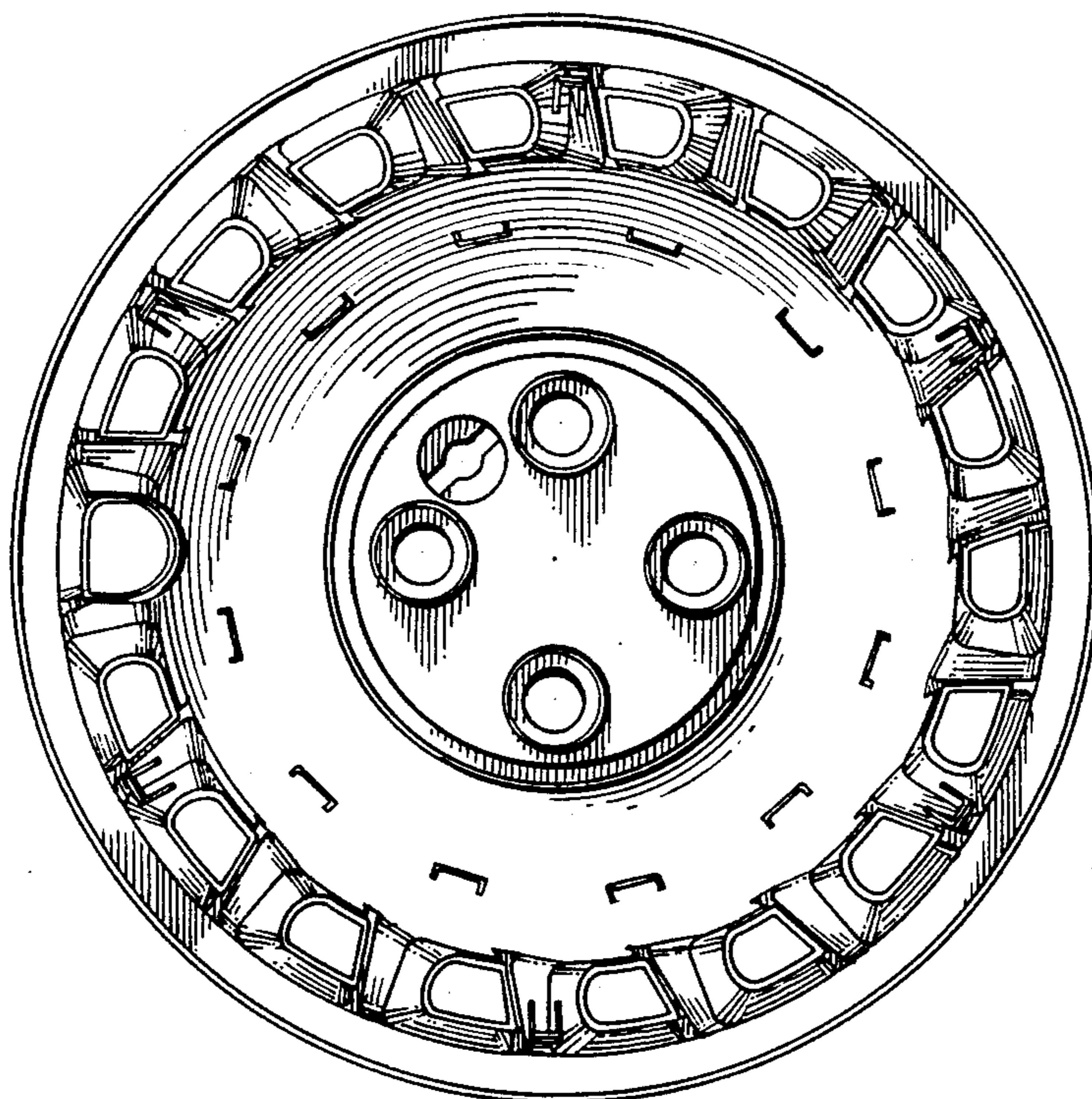


FIG. 3.

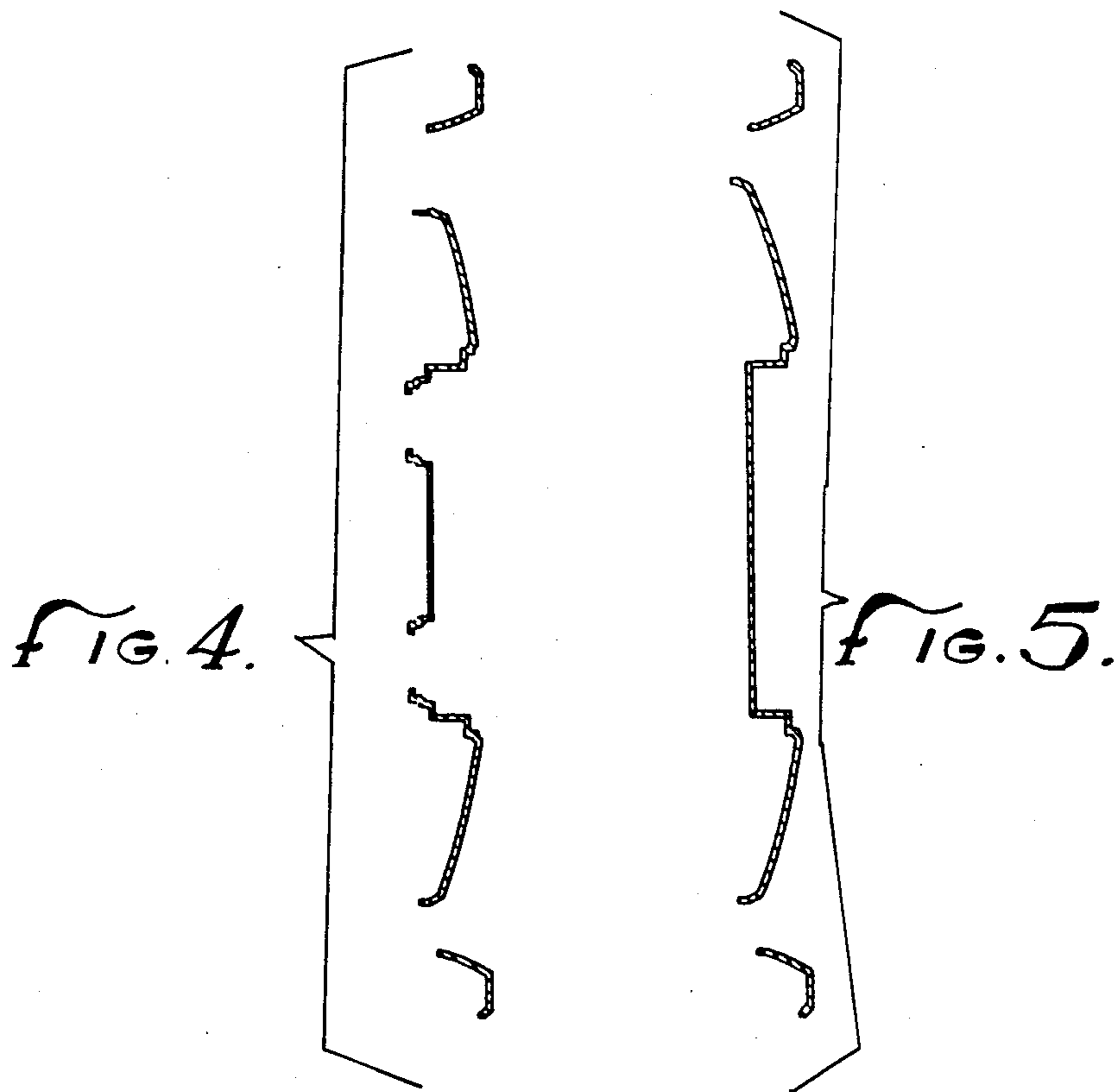


FIG. 4.

FIG. 5.