

[54] SKI RACK

[75] Inventor: Jan-Ivar Arvidsson, Hillerstorp, Sweden

[73] Assignee: Industri AB Thule, Hillerstorp, Sweden

[**] Term: 14 Years

[21] Appl. No.: 906,198

[22] Filed: Sep. 11, 1986

[30] Foreign Application Priority Data

Mar. 11, 1986 [SE] Sweden 860610

[52] U.S. Cl. D12/157

[58] Field of Search D12/157; 224/309, 315, 224/317, 321-325, 327, 329, 331, 917

[56] References Cited

U.S. PATENT DOCUMENTS

3,132,780 5/1964 Binding 224/315
4,728,019 3/1988 Olliges 224/315

Primary Examiner—James M. Gandy
Attorney, Agent, or Firm—Burns, Doane, Swecker & Mathis

[57] CLAIM

The ornamental design for a ski rack, as shown and described.

DESCRIPTION

FIG. 1 is a side perspective view of a ski rack showing my new design in a closed position;
FIG. 2 is a bottom perspective view thereof;
FIG. 3 is an end elevation view thereof;
FIG. 4 is a side perspective view in an open position;
FIG. 5 is a bottom perspective view of FIG. 4; and
FIG. 6 is a side perspective view similar to FIG. 4 but with portions of the support clamp unit omitted for clarity of illustration.

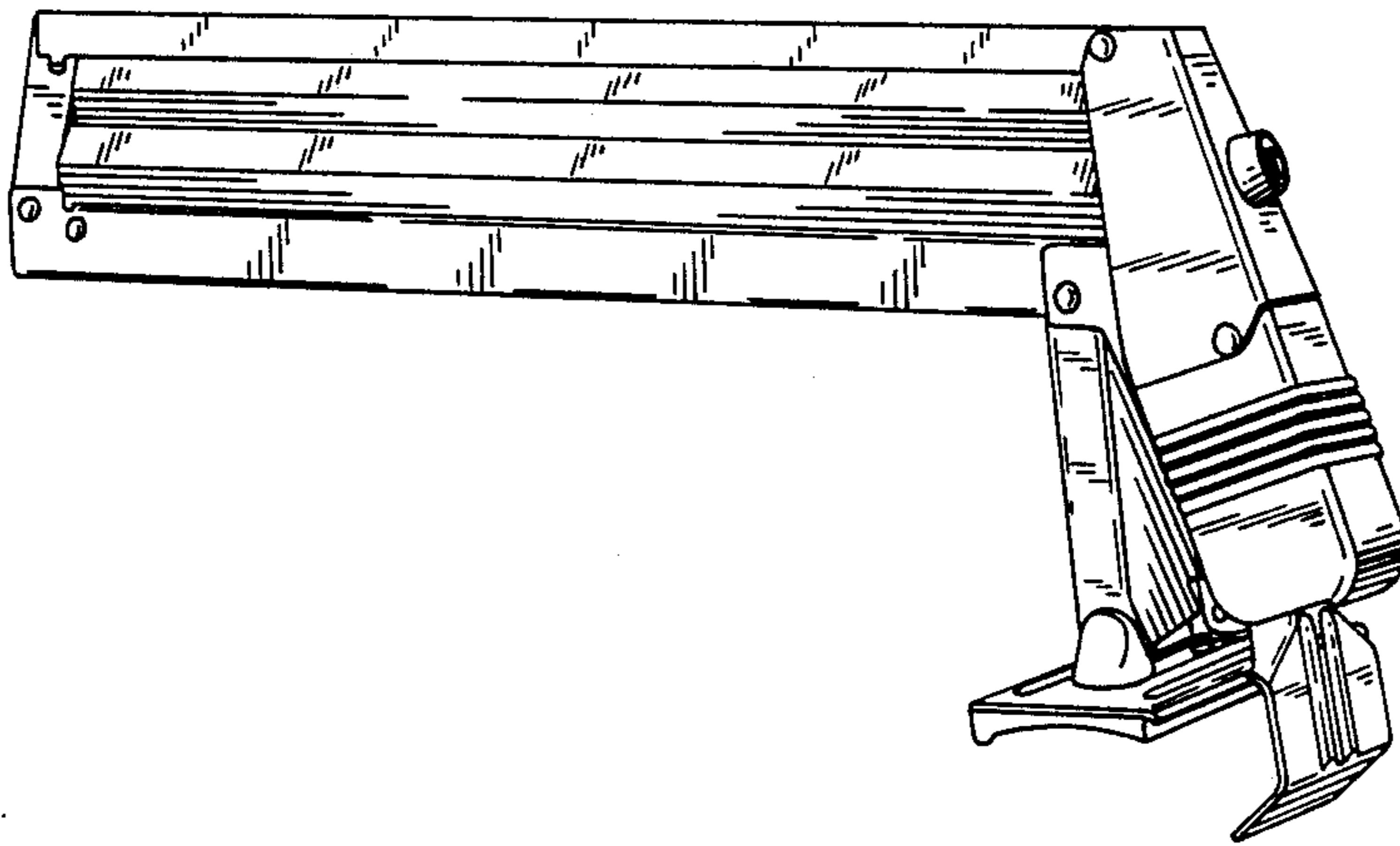


Fig. 1

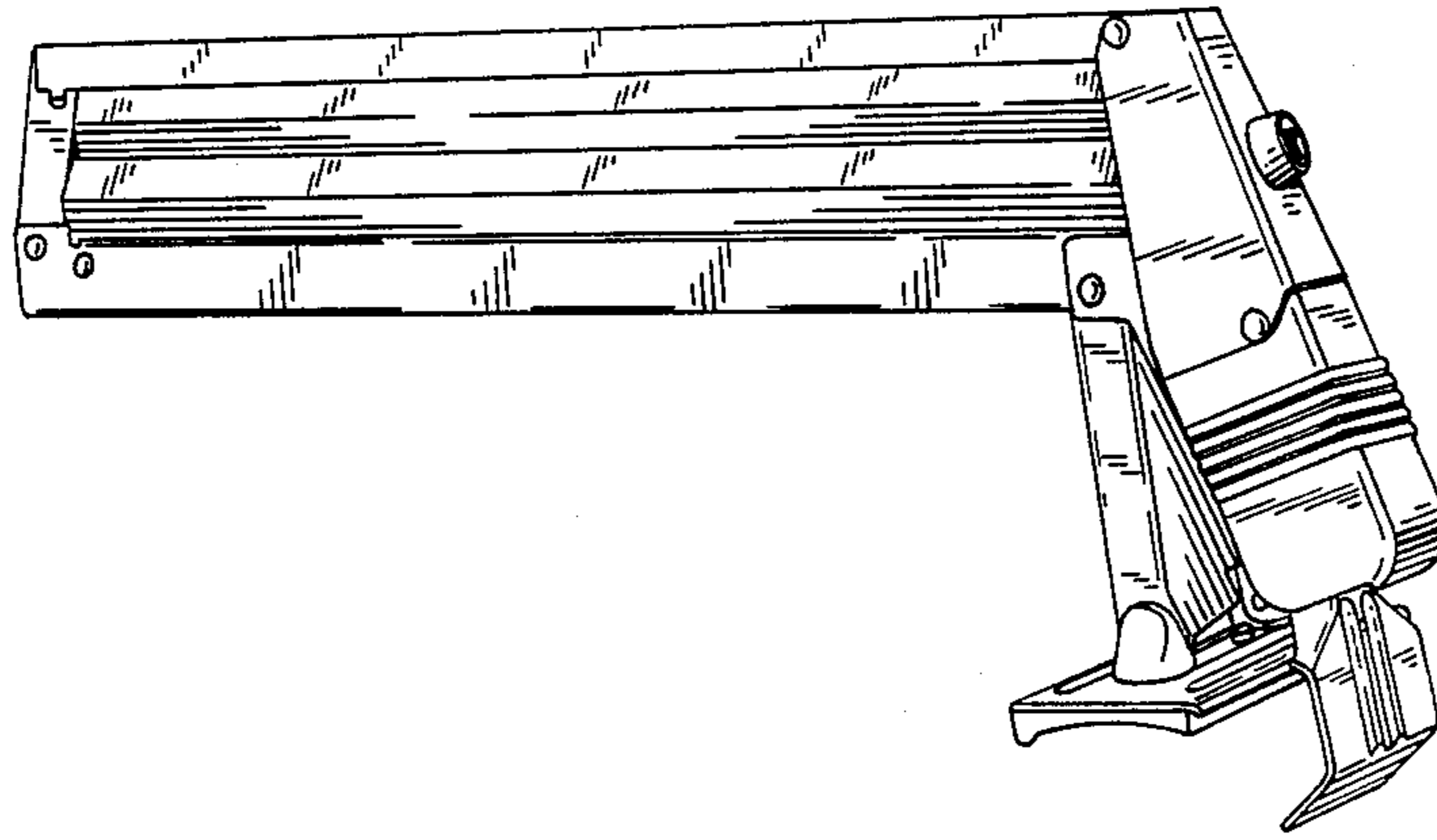


Fig. 2

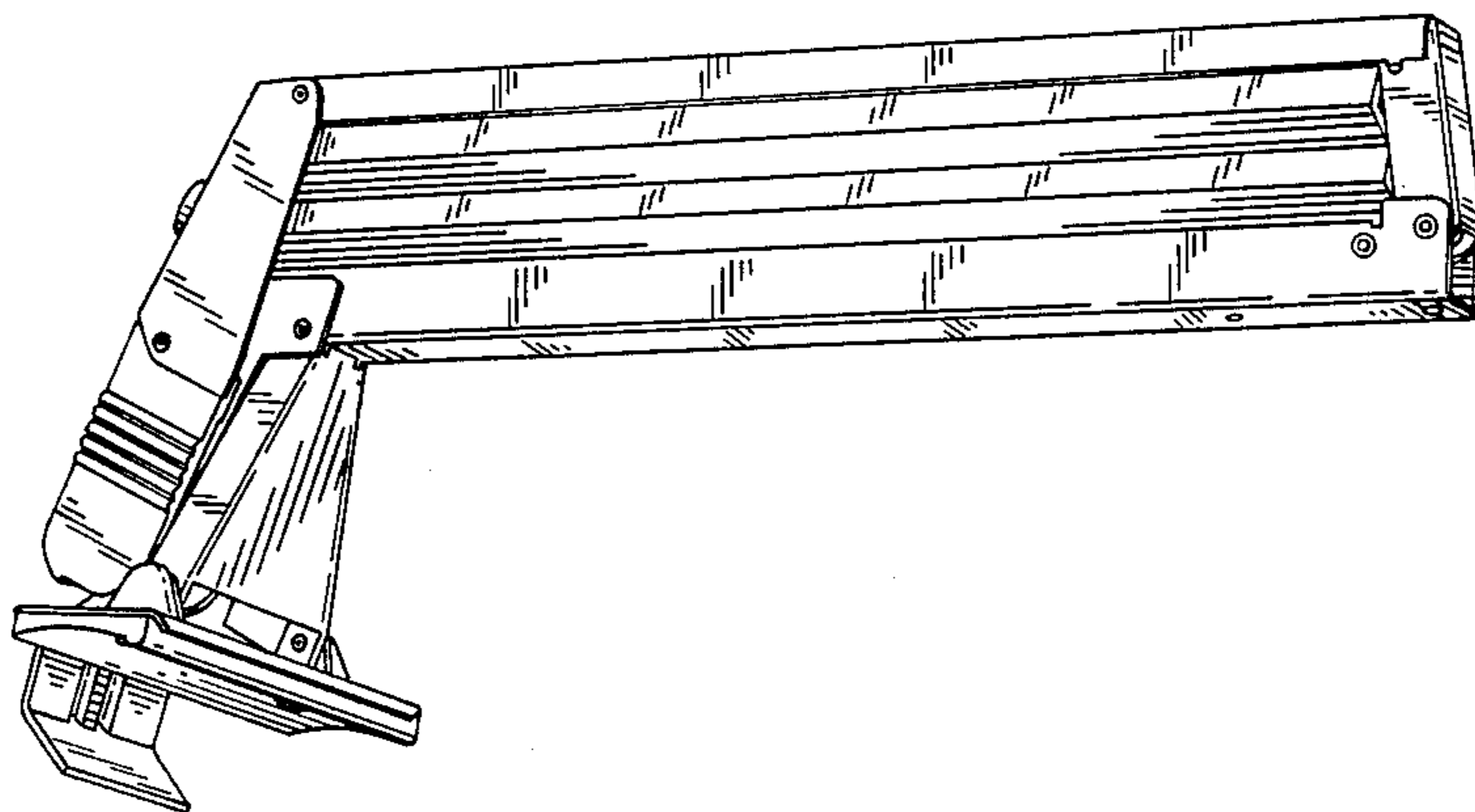


FIG. 3

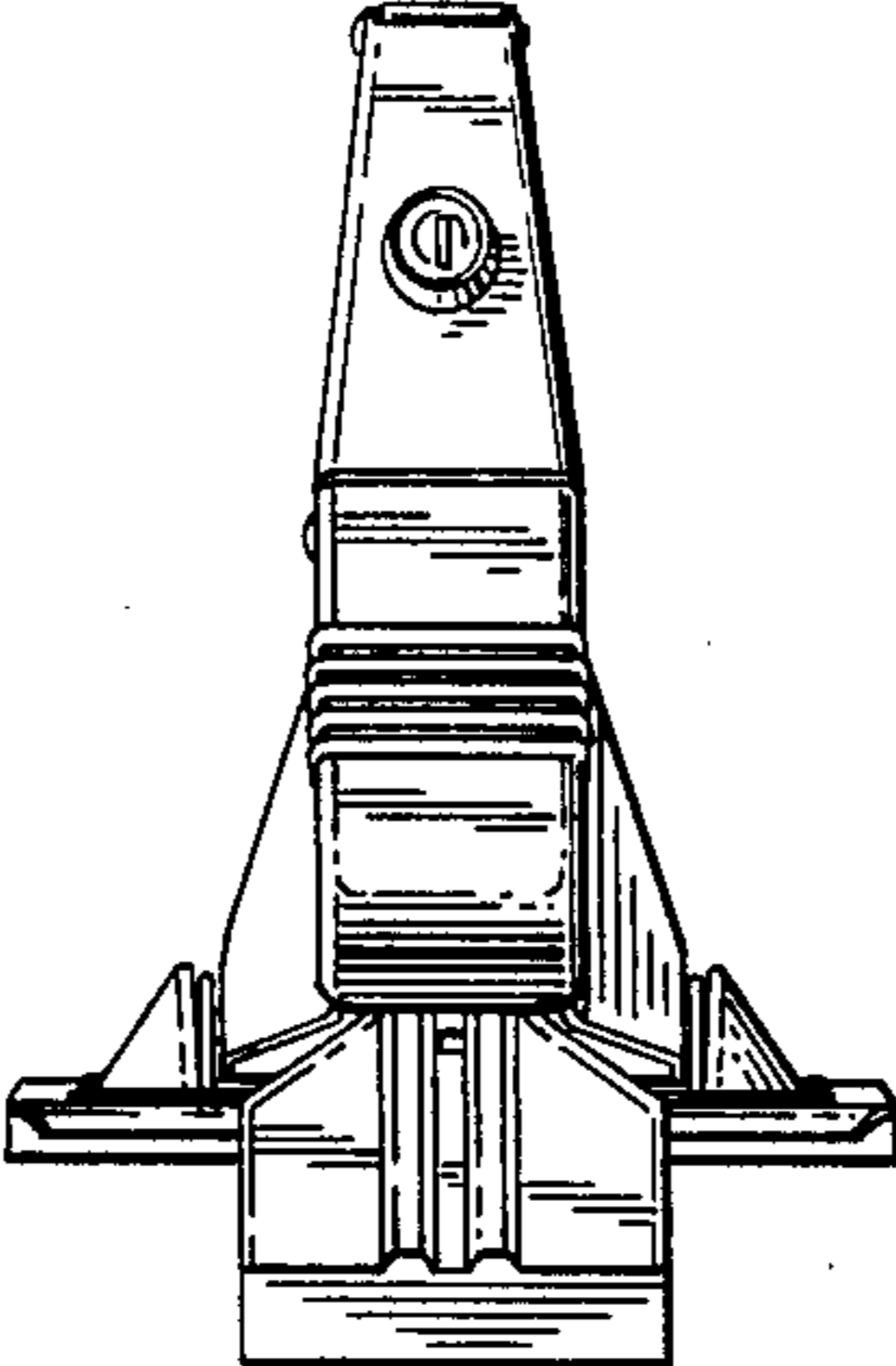
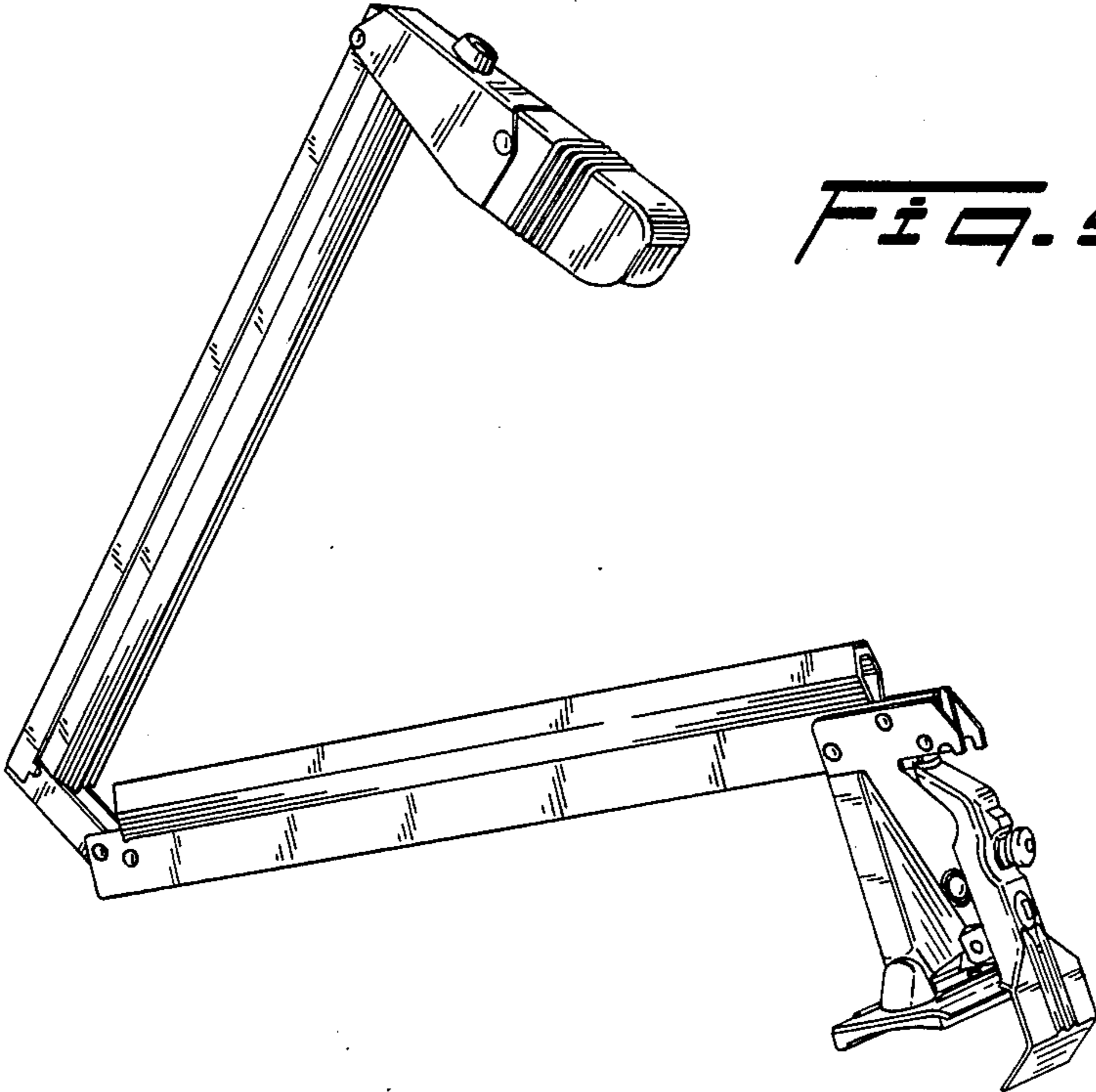


FIG. 4



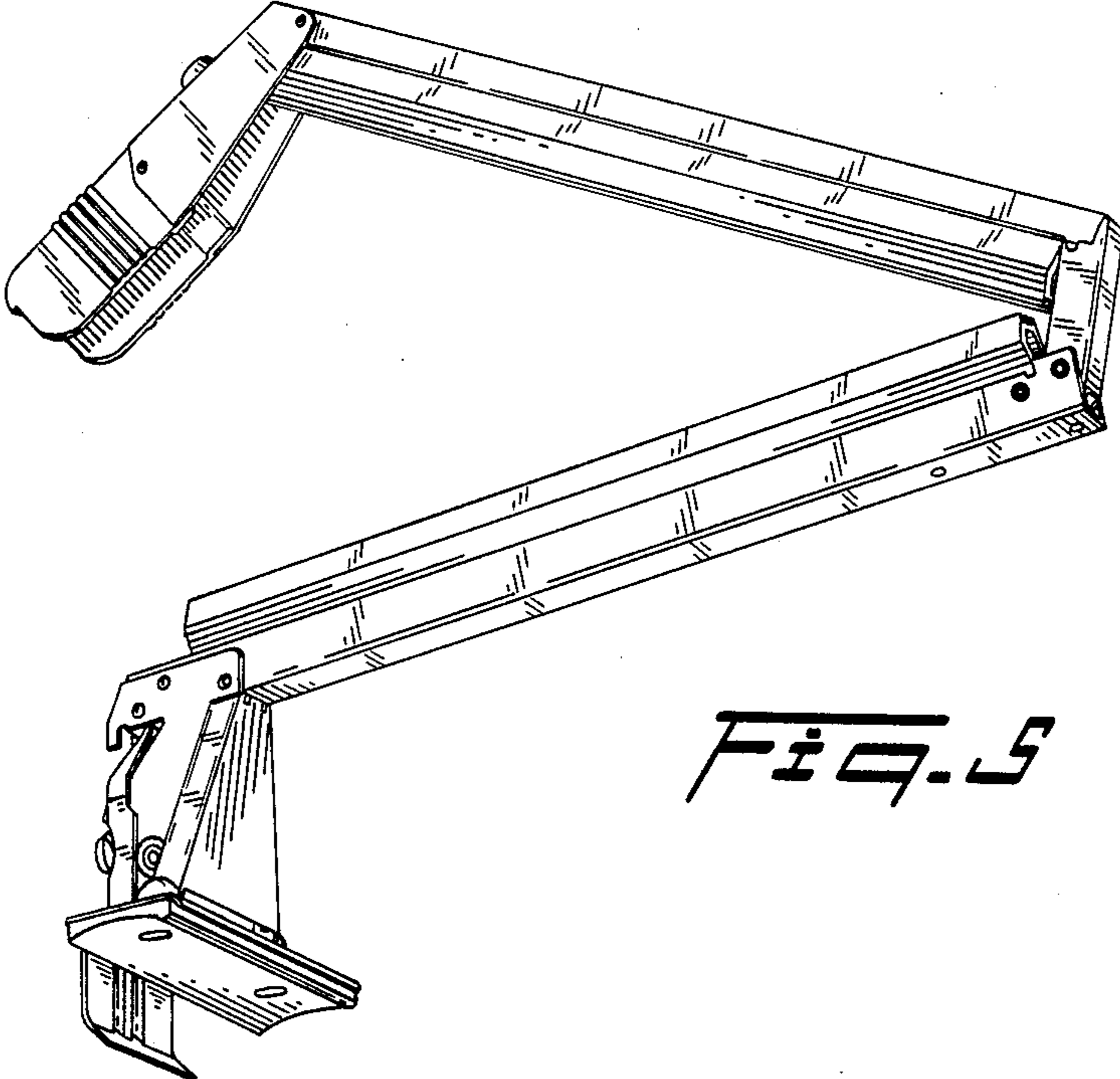


Fig. 5

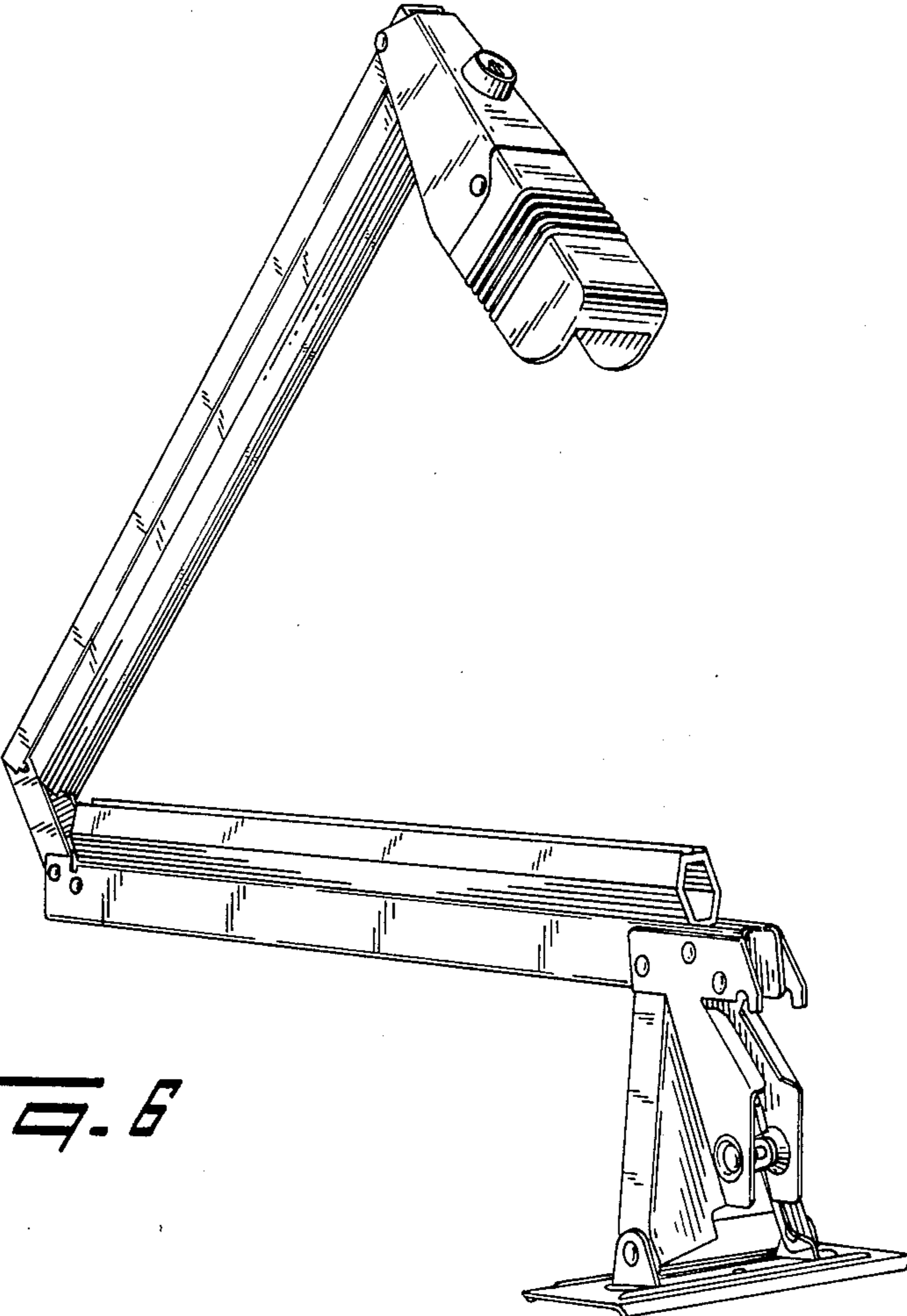


Fig. 6