

[54] STRAP FASTENER FOR TRAVEL GOODS OR THE LIKE

352,039 11/1886 Carroll 24/197
3,858,279 1/1975 Brattstrom 24/200

[75] Inventor: Chien-Chang Lu, Tainan Hsien, Taiwan

Primary Examiner—Louis S. Zarfes
Assistant Examiner—R. Seifert
Attorney, Agent, or Firm—Saidman, Sterne, Kessler & Goldstein

[73] Assignee: Saint Island International Patent & Law Offices, Taiwan

[**] Term: 14 Years

[57] CLAIM

The ornamental design for a strap fastener for travel goods or the like, as shown.

[21] Appl. No.: 33,353

[22] Filed: Apr. 2, 1987

DESCRIPTION

[52] U.S. Cl. D11/210

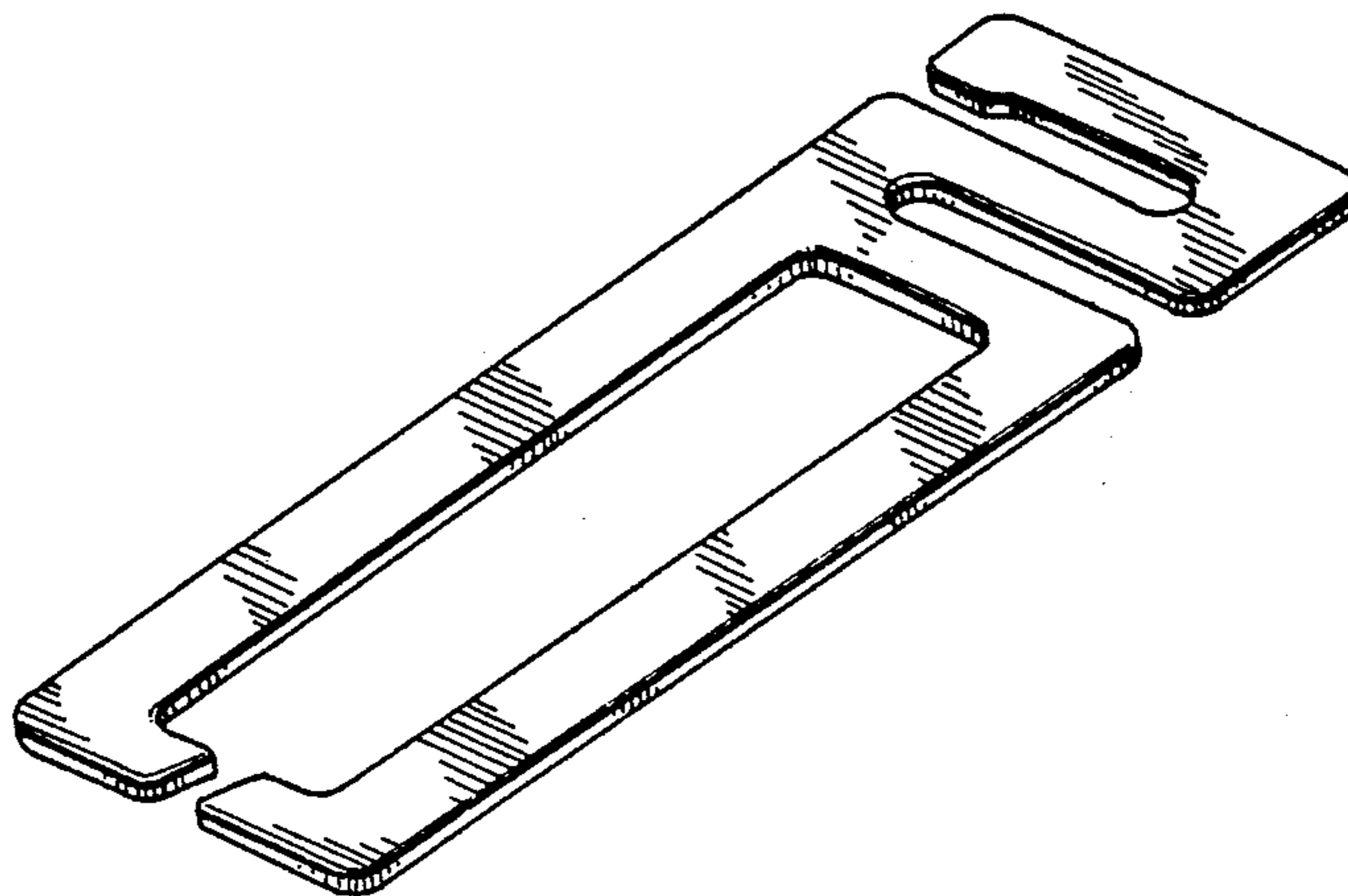
[58] Field of Search D11/208, 212, 210, 218; 24/198, 199, 200, 163 R, 195, 197, 176

FIG. 1 is a perspective view of a strap fastener for travel goods or the like showing my new design;
FIG. 2 is a front elevational view thereof;
FIG. 3 is a rear elevational view thereof;
FIG. 4 is a left side elevational view thereof;
FIG. 5 is a right side elevational view thereof;
FIG. 6 is a top plan view thereof; and
FIG. 7 is a bottom plan view thereof.

[56] References Cited

U.S. PATENT DOCUMENTS

D. 93,776 11/1934
D. 270,615 9/1983 Stuart D11/208



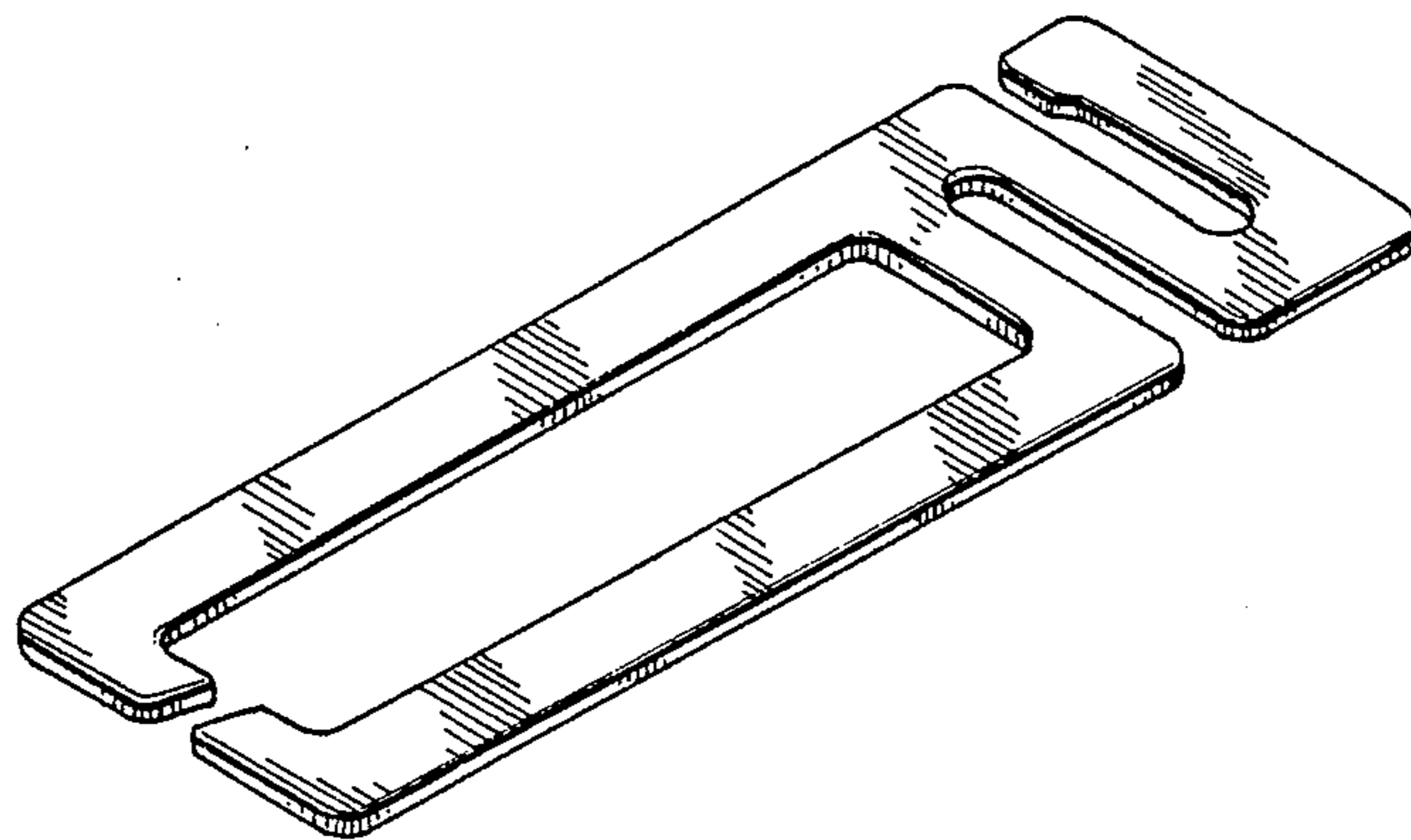


FIG. 1

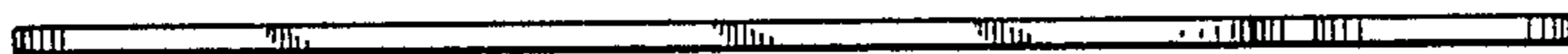


FIG. 2

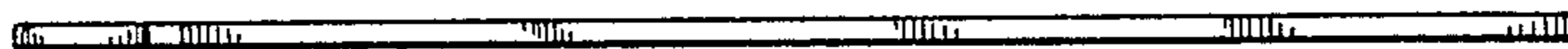


FIG. 3



FIG. 4



FIG. 5

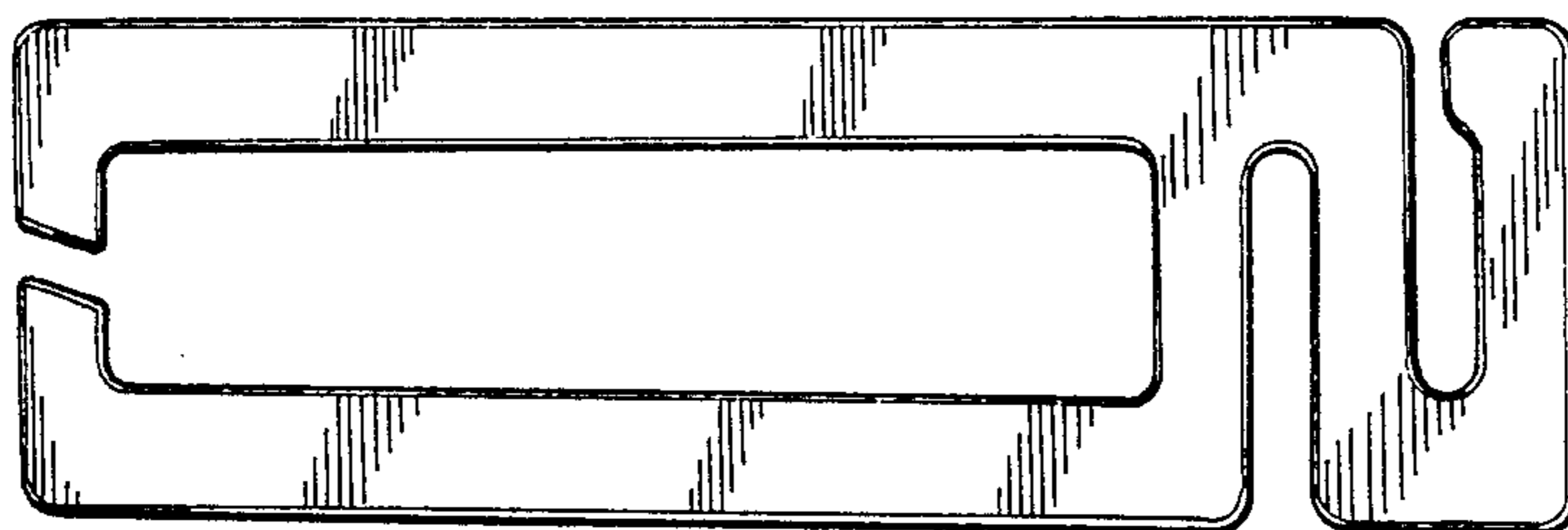


FIG. 6

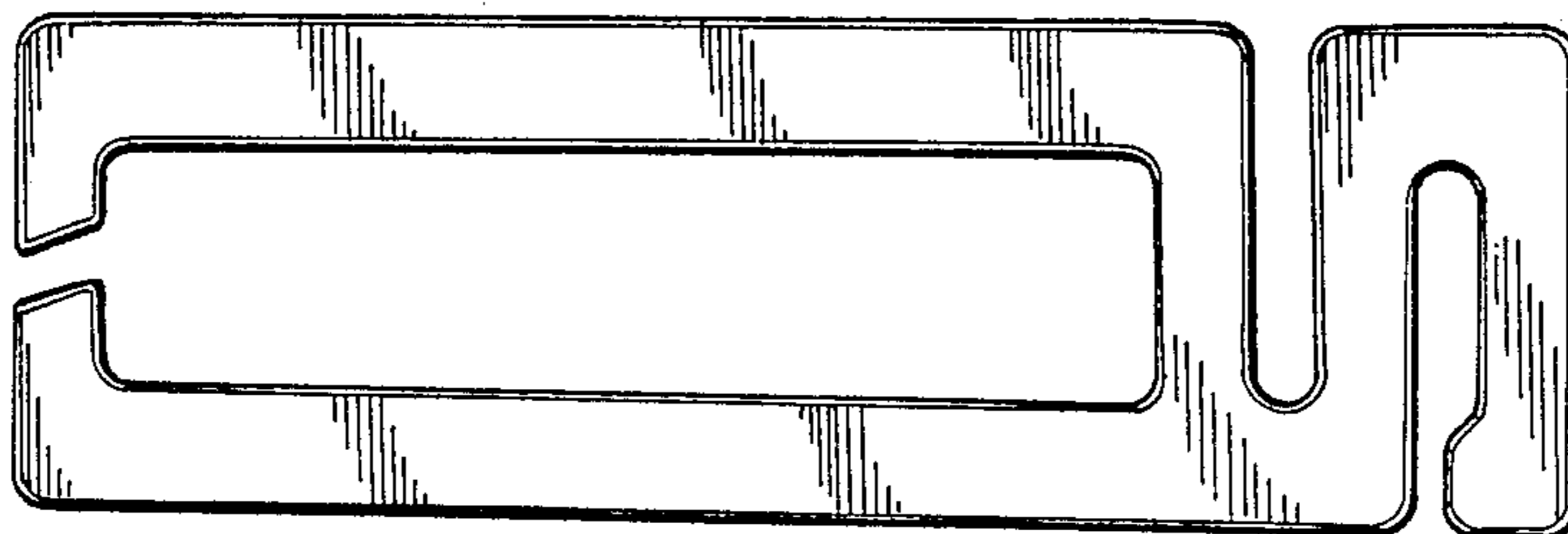


FIG. 7