

# United States Patent [19]

Daniels

[11] Patent Number: **Des. 301,993**

[45] Date of Patent: **\*\* Jul. 4, 1989**

[54] SAFETY BELT LATCH ASSEMBLY  
[75] Inventor: **Werner H. Daniels, Fort Smith, Ark.**  
[73] Assignee: **United States Foregcraft Corporation, Fort Smith, Ark.**  
[\*\*] Term: **14 Years**  
[21] Appl. No.: **121,991**  
[22] Filed: **Nov. 16, 1987**  
[52] U.S. Cl. .... **D11/208; D11/216**  
[58] Field of Search ..... **D11/208, 210, 216, 229, D11/238, 231, 200; D2/630; D21/239; 24/192, 199, 200, 163 R, 198**

D. 254,758 4/1980 Rodstein ..... D2/630  
449,141 3/1891 Stewart ..... 24/192  
4,099,306 7/1978 Matthews et al. .... D11/216

*Primary Examiner*—Louis S. Zarfes  
*Assistant Examiner*—R. Seifert  
*Attorney, Agent, or Firm*—Salter & Michaelson

## [57] CLAIM

The ornamental design for a safety belt latch assembly, as shown.

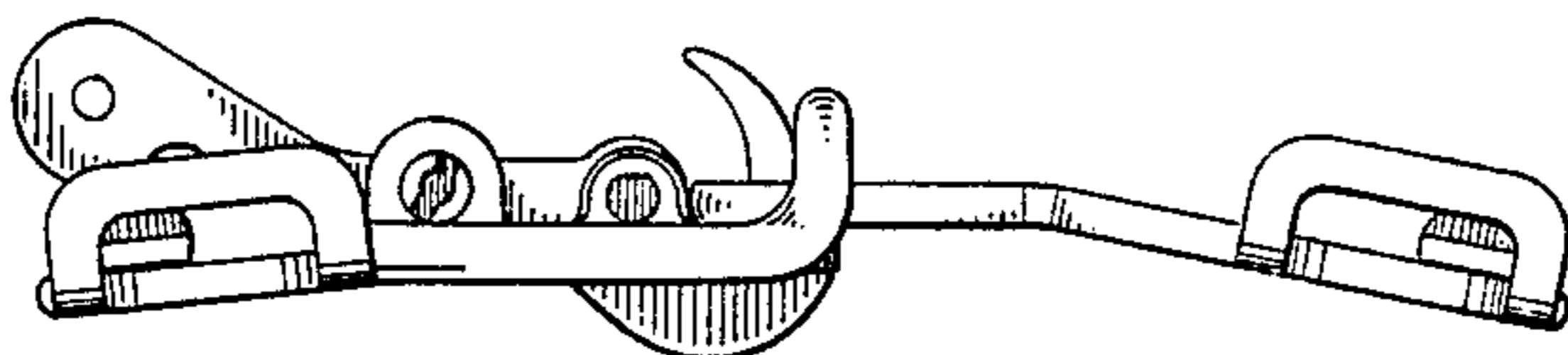
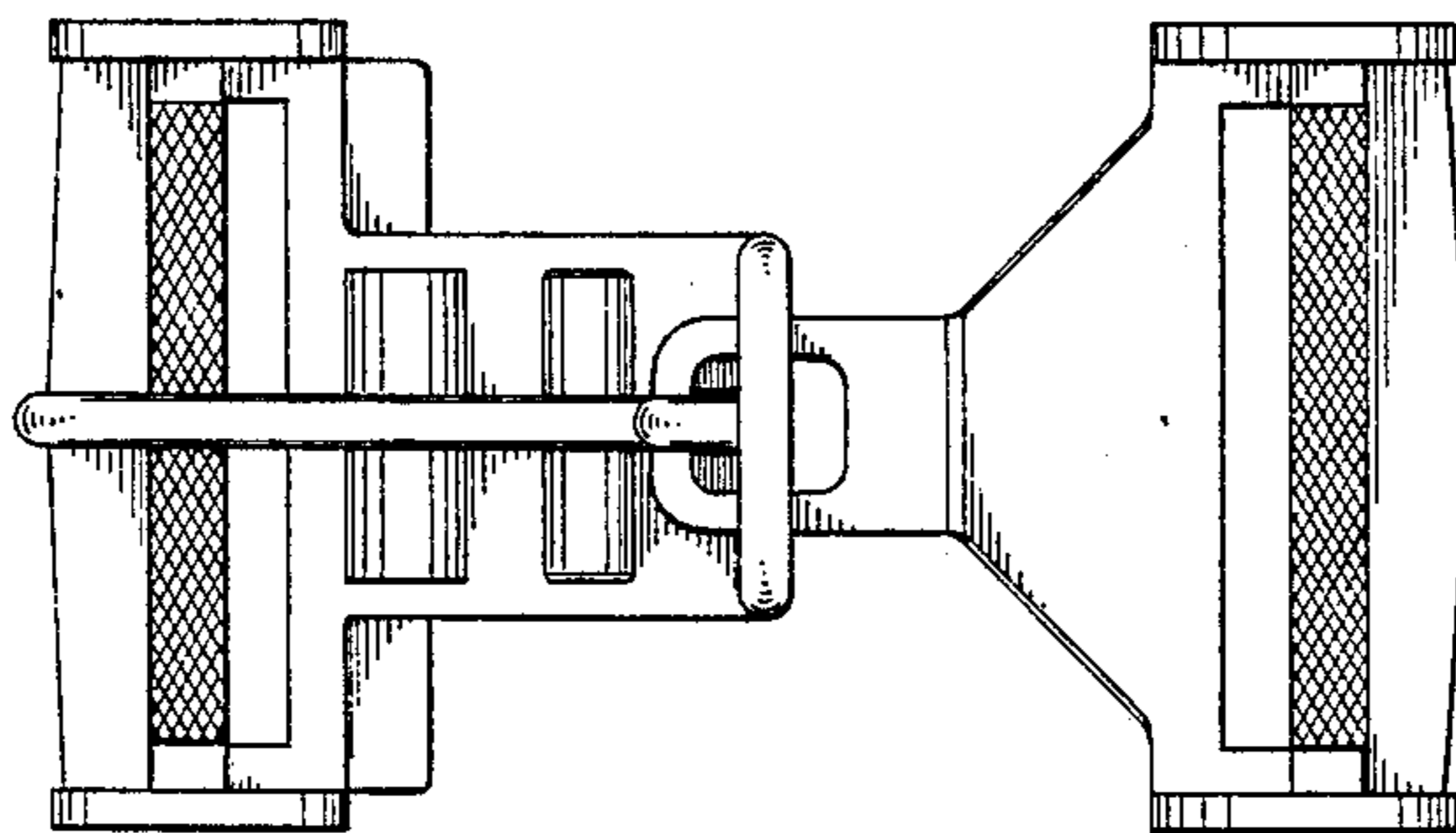
## DESCRIPTION

FIG. 1 is a front elevational view of a safety belt latch assembly showing my new design; FIG. 2 is a top edge view thereof, the bottom edge being a mirror image thereof; FIG. 3 is a left-end view thereof; FIG. 4 is a right-end view thereof; and FIG. 5 is a rear elevational view thereof.

## [56] References Cited

### U.S. PATENT DOCUMENTS

D. 241,089 8/1976  
D. 250,299 11/1978 Rowell ..... D11/208



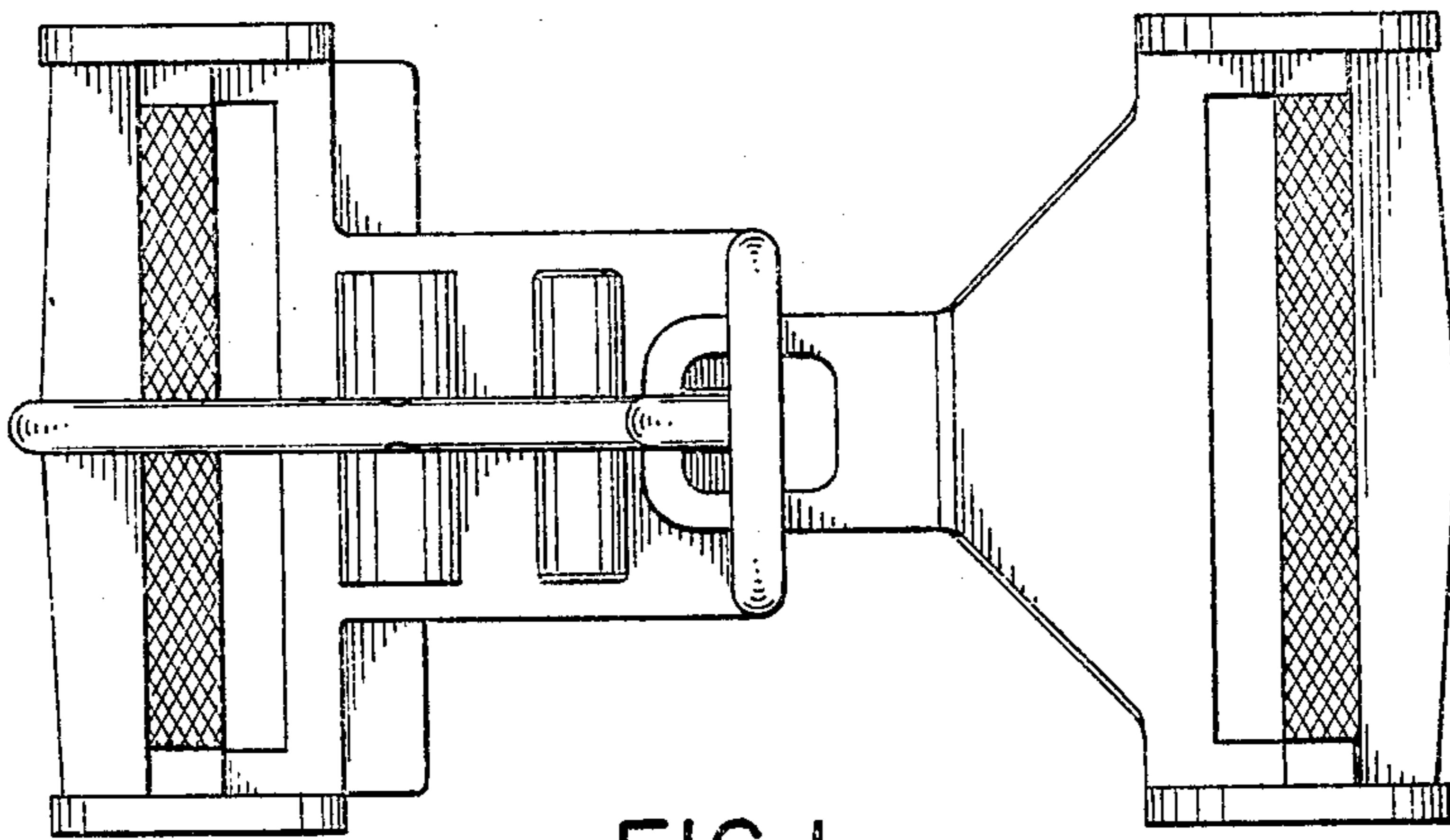


FIG. 1

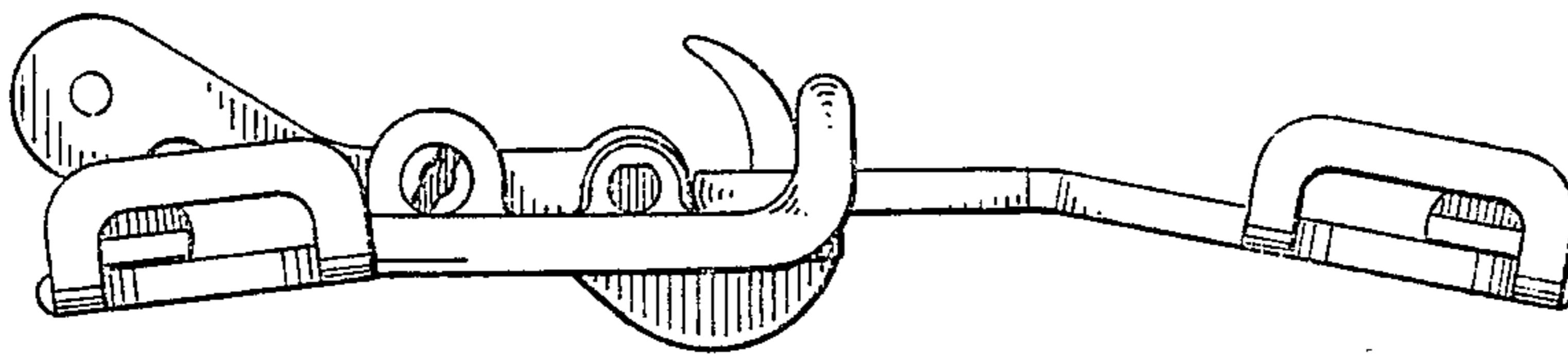


FIG. 2

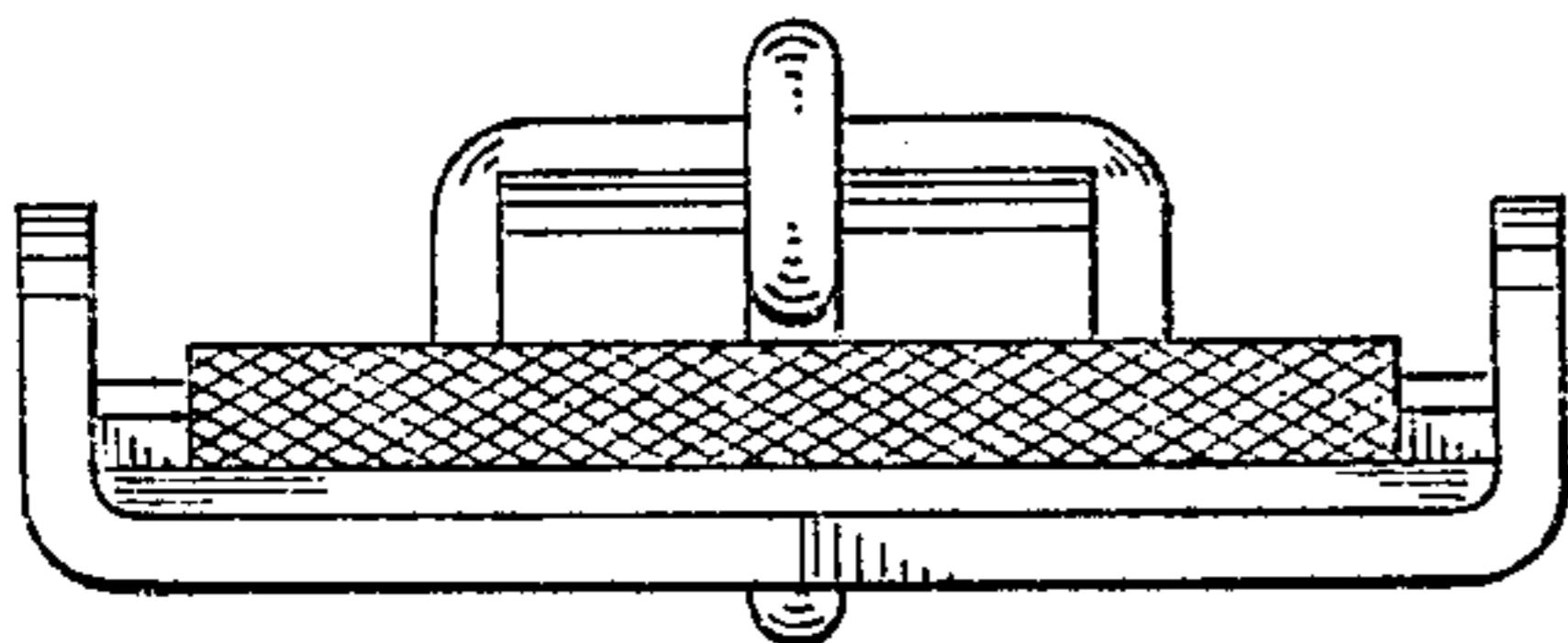


FIG. 3

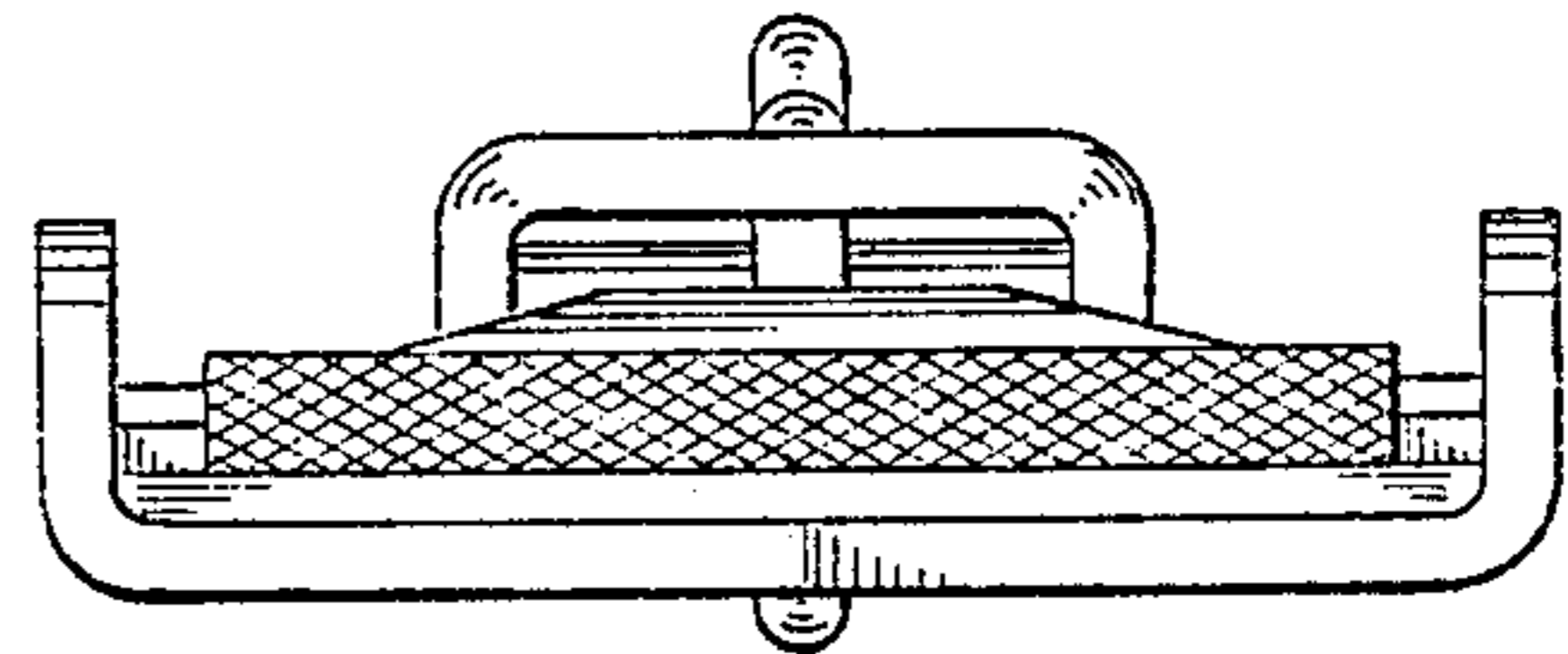


FIG. 4

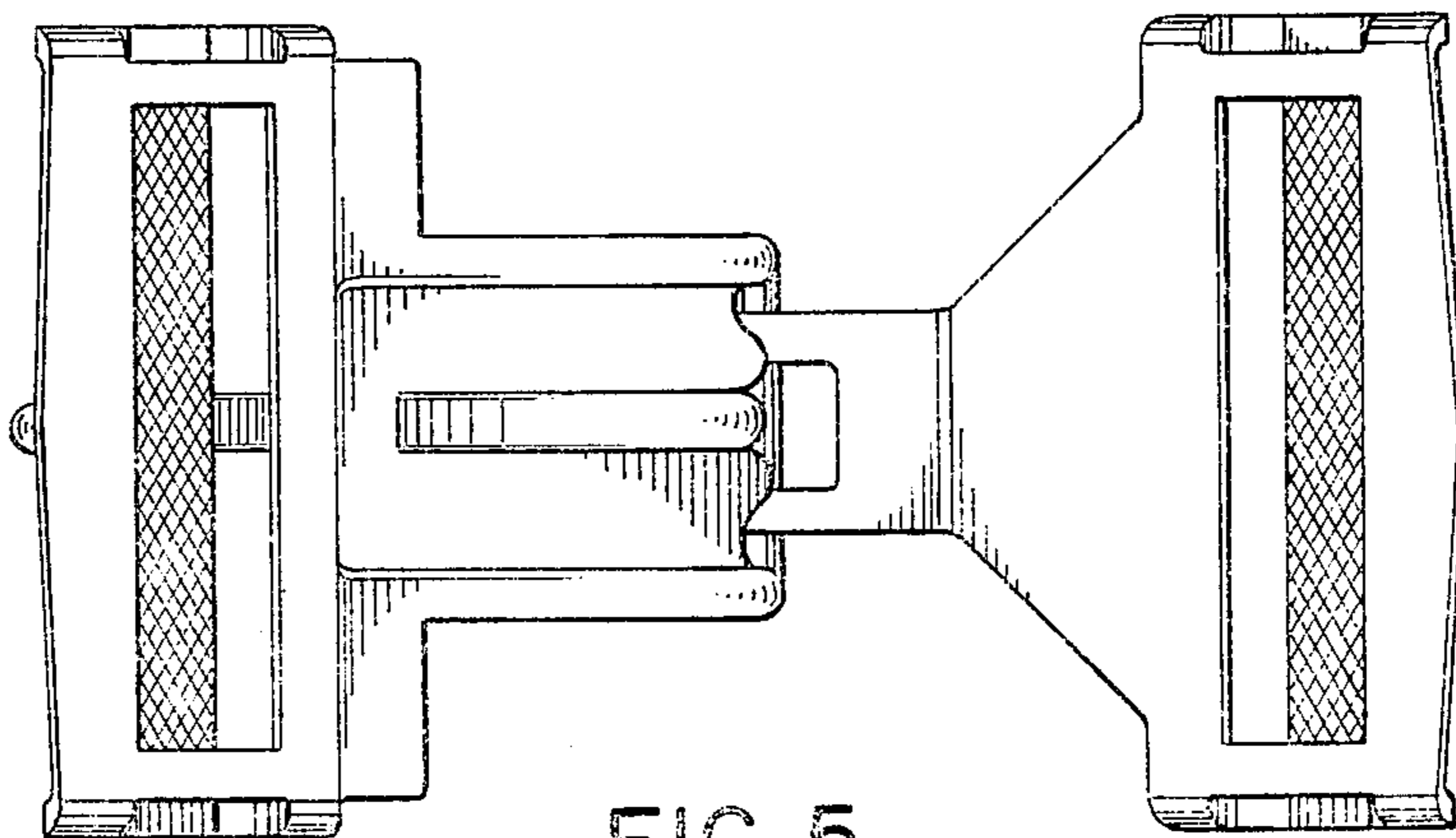


FIG. 5