

[54] SIREN FOR VEHICLE ANTI-THEFT ALARM

[75] Inventors: Giovanni Arduini; Lorenzo Bonfanti; Gianfranco Salvemini, all of Milan, Italy

[73] Assignee: Delta Elettronica s.p.a., Varese, Italy

[**] Term: 14 Years

[21] Appl. No.: 14,921

[22] Filed: Feb. 13, 1987

[30] Foreign Application Priority Data

Oct. 13, 1986 [IT] Italy 60957[U]
[52] U.S. Cl. D10/120
[58] Field of Search D10/104, 116, 118-121; 340/384 R, 384 E, 388, 392, 393, 404-407; 116/137, 140, 142, 147

[56]

References Cited

U.S. PATENT DOCUMENTS

D. 279,771 7/1985 Hinata D10/120
D. 292,498 10/1987 Hayashi D10/120
D. 294,808 3/1988 Zeigner D10/106
4,310,833 1/1982 Sakaguchi 340/63 X

Primary Examiner—Susan J. Lucas
Attorney, Agent, or Firm—Peter K. Kontler

[57]

CLAIM

The ornamental design of a siren for vehicle anti-theft alarm, as shown and described.

DESCRIPTION

FIG. 1 is a front elevational view of a siren for vehicle anti-theft alarm showing our new design; FIG. 2 is a rear elevational view thereof; FIG. 3 is a top plan view thereof; FIG. 4 is a bottom plan view thereof; FIG. 5 is a top, front, right side perspective view thereof; and FIG. 6 is a left side elevational view thereof, the right side being a mirror image.

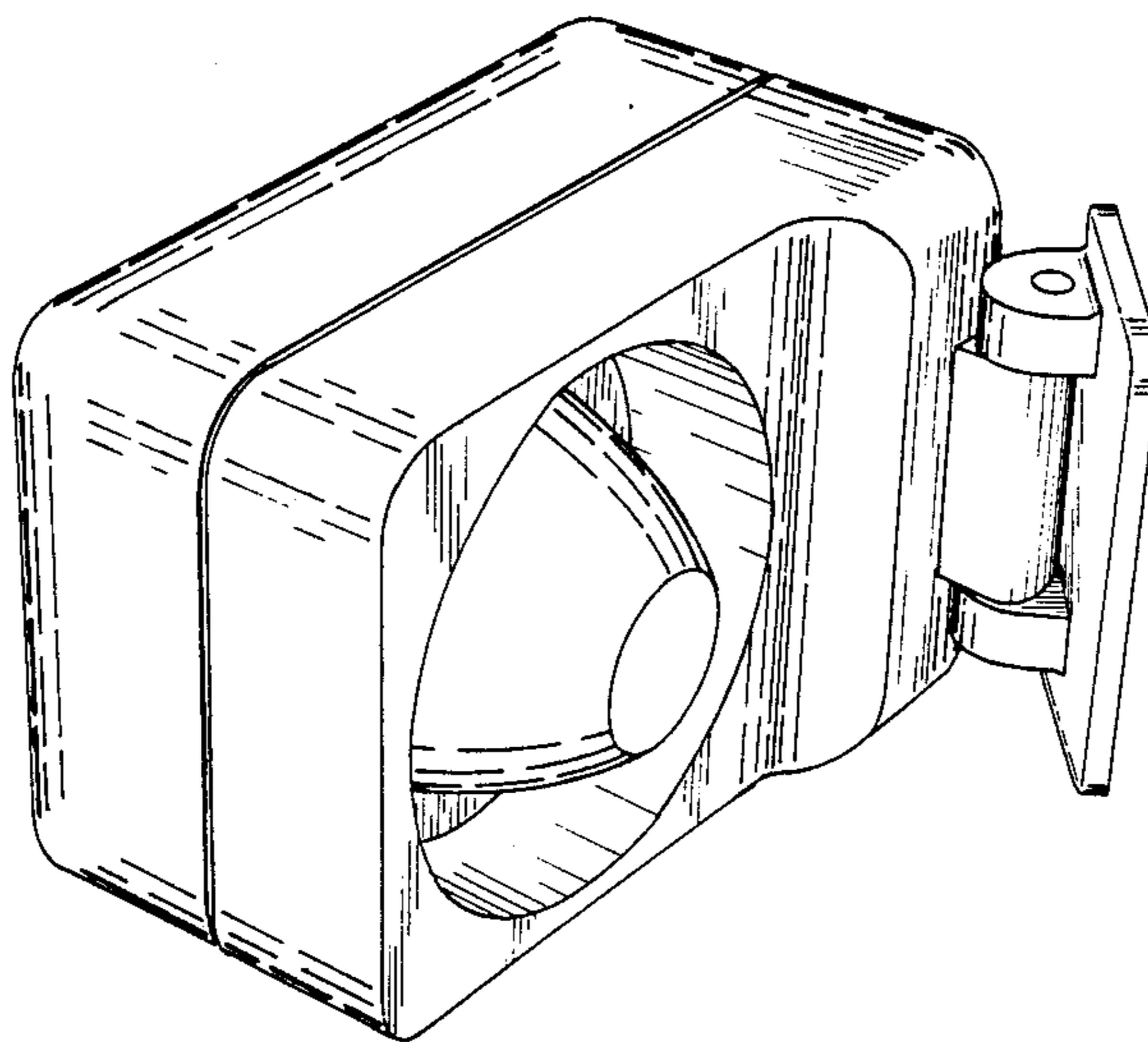


FIG. 2

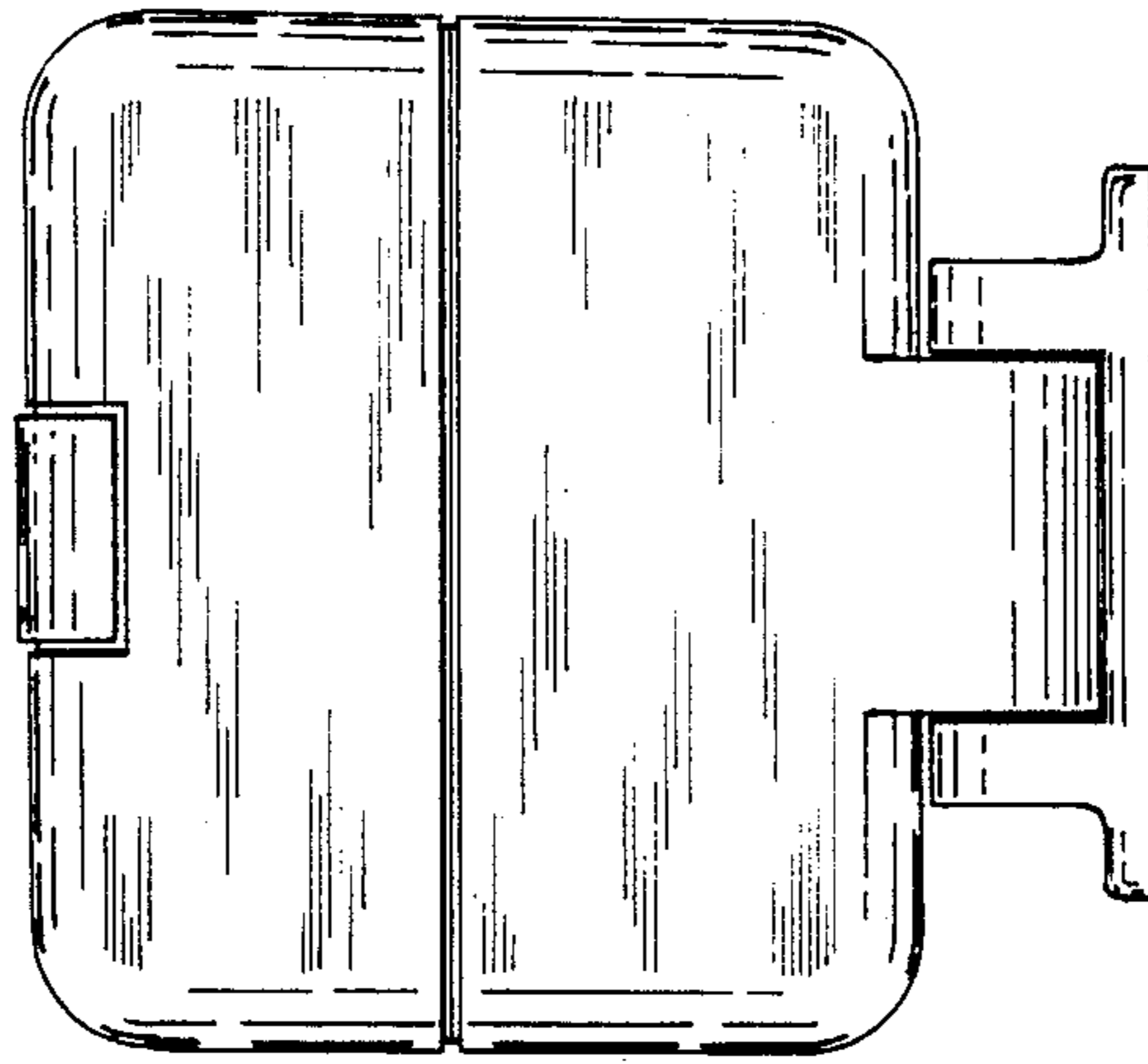


FIG. 1

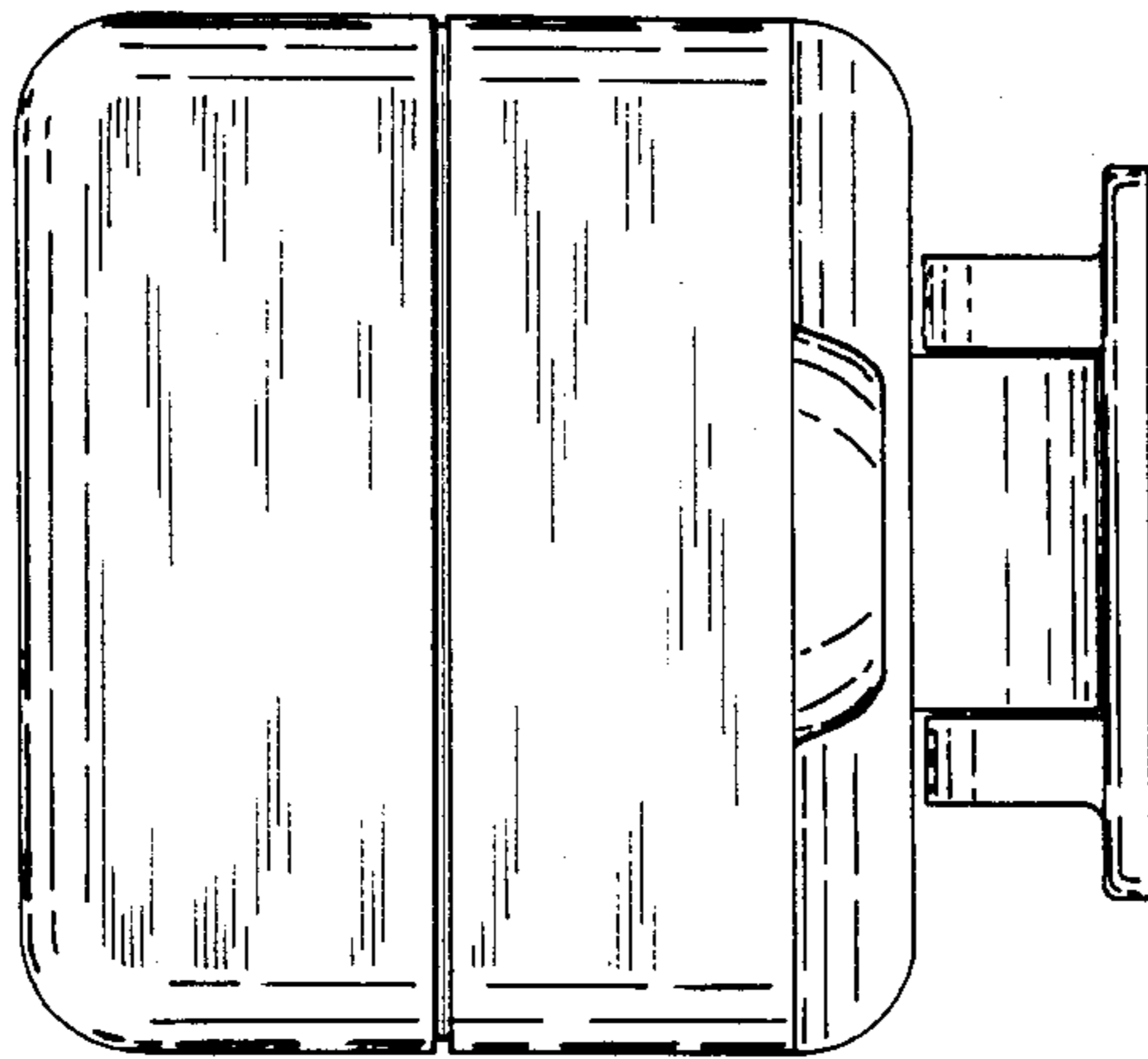


FIG. 4

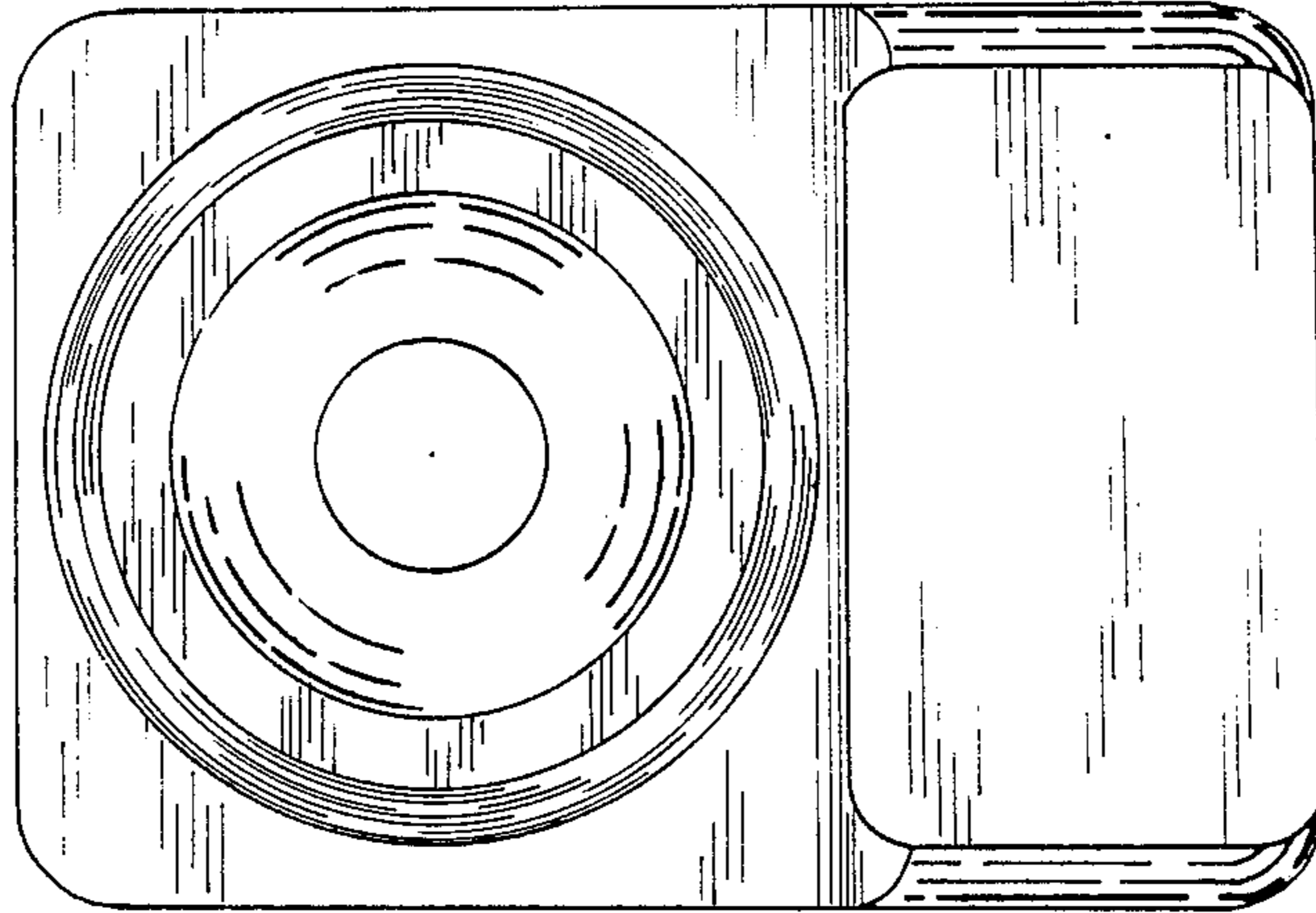


FIG. 3

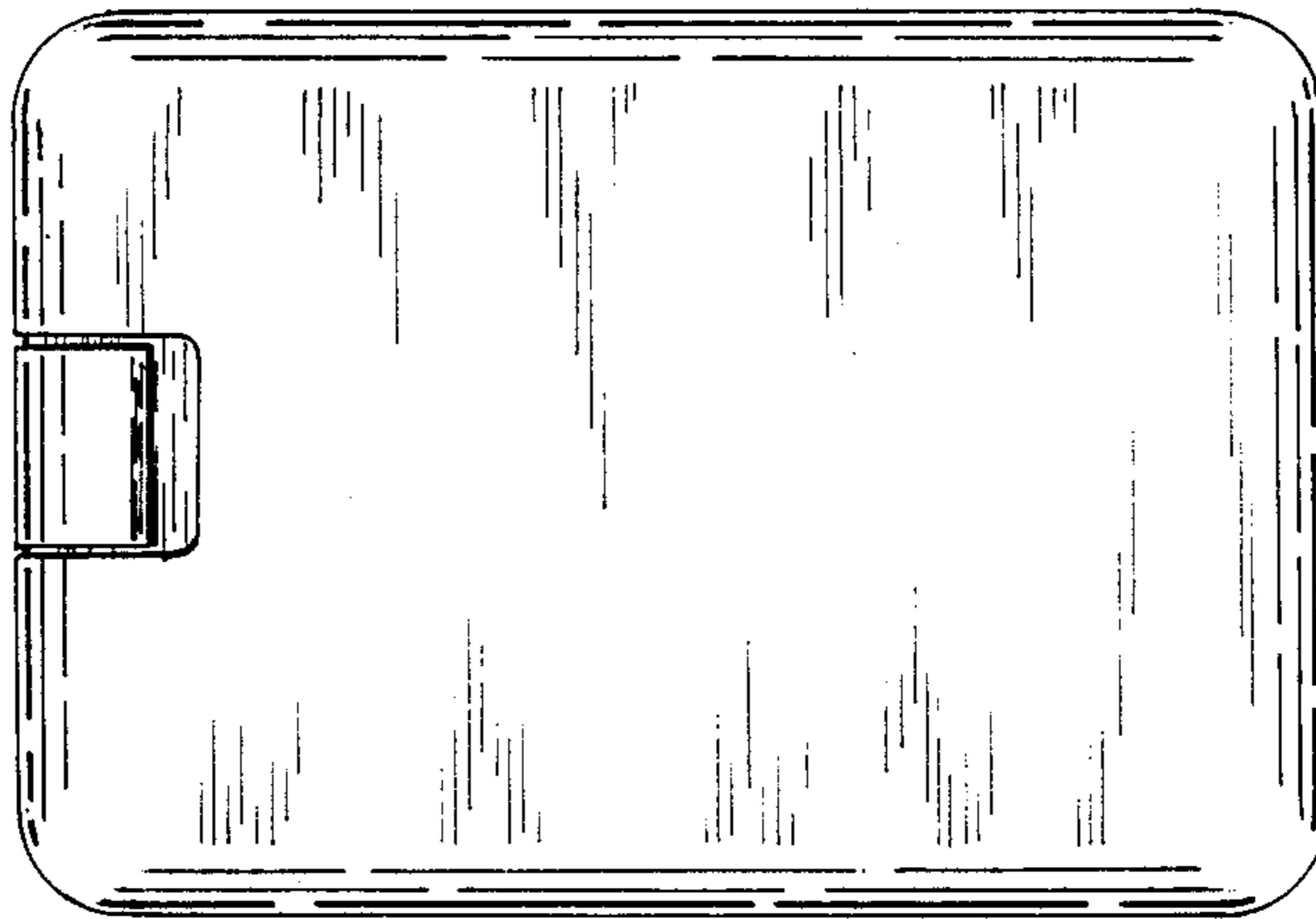


FIG. 6

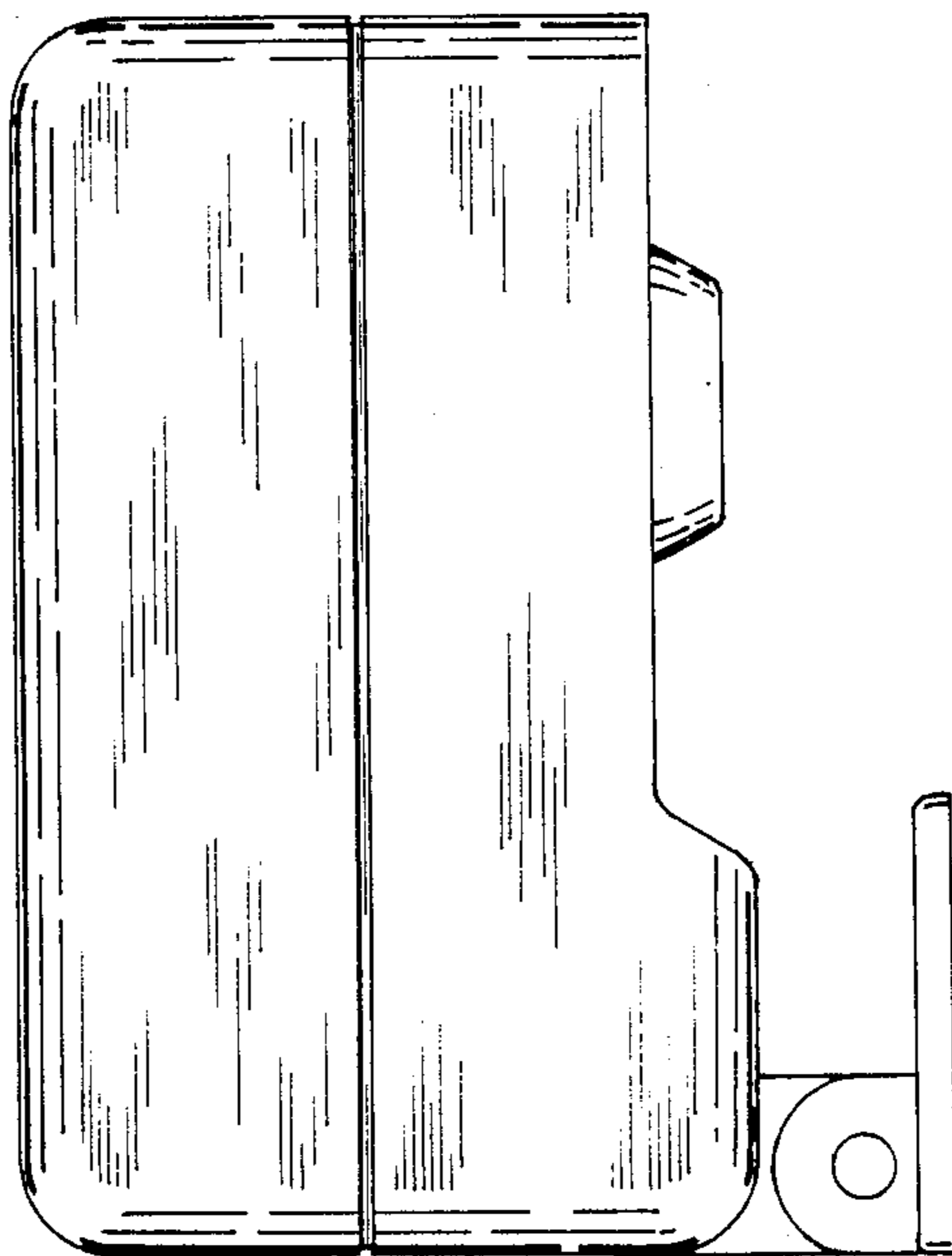


FIG. 5

