

[54] COMBINED COMPUTER PAPER STORAGE AND DISPENSING CONTAINER

D. 295,470 5/1988 Uredat-Neuhoff D6/440
4,573,608 3/1986 Hansen 221/92

[76] Inventors: Robert D. Britz; Steven L. Utley, both of 2113 Alice Ave., Walnut Creek, Calif. 94596

Primary Examiner—B. J. Bullock
Assistant Examiner—R. Seifert
Attorney, Agent, or Firm—Flehr, Hohbach, Test, Albritton & Herbert

[**] Term: 14 Years

[21] Appl. No.: 844,763

[22] Filed: Mar. 17, 1986

[52] U.S. Cl. D9/418; D6/440; D6/518; D6/520; D9/432

[58] Field of Search D6/440, 518, 520; D9/332, 414, 425; D3/30.1, 30.5, 51, 78, 105; 206/405; 221/28, 92, 123, 124; 229/52.13; 383/86

[56] References Cited

U.S. PATENT DOCUMENTS

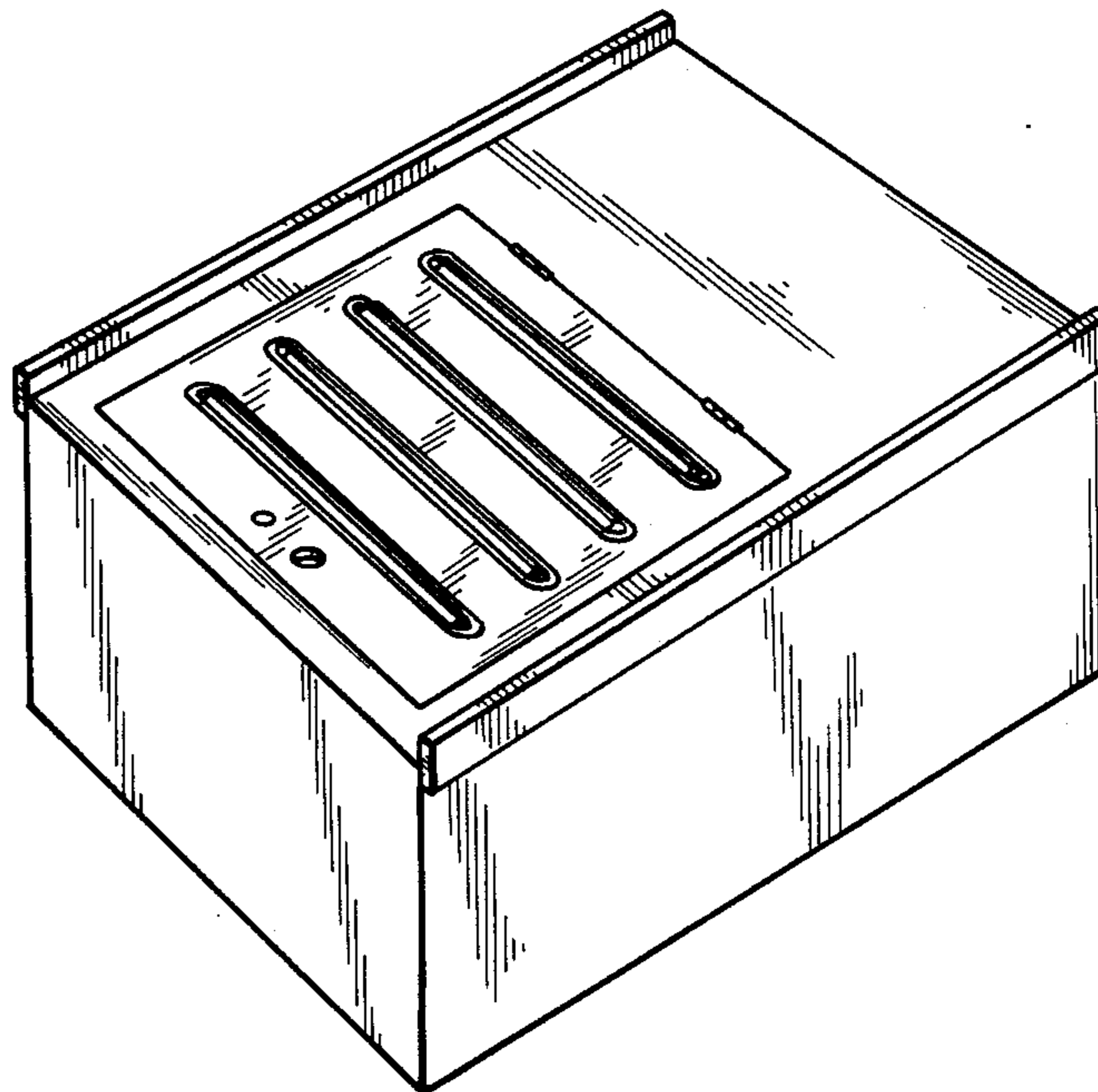
- D. 214,062 5/1969 Cabell D6/440
- D. 229,699 12/1973 Hehs D6/440
- D. 272,021 1/1984 Ruff D6/518
- D. 290,075 6/1987 Loughridge D6/518

[57] CLAIM

The ornamental design for a combined computer paper storage and dispensing container, as shown and described.

DESCRIPTION

FIG. 1 is a top perspective view of a combined computer paper storage and dispensing container showing our new design; FIG. 2 is a top plan thereof; FIG. 3 is a reduced front elevational view thereof; FIG. 4 is a reduced side elevational view, the opposite side is identical; FIG. 5 is a reduced scale bottom plan view thereof; and FIG. 6 is a fragmentary enlarged cross section taken in the direction of the arrows on line 6—6 of FIG. 2.



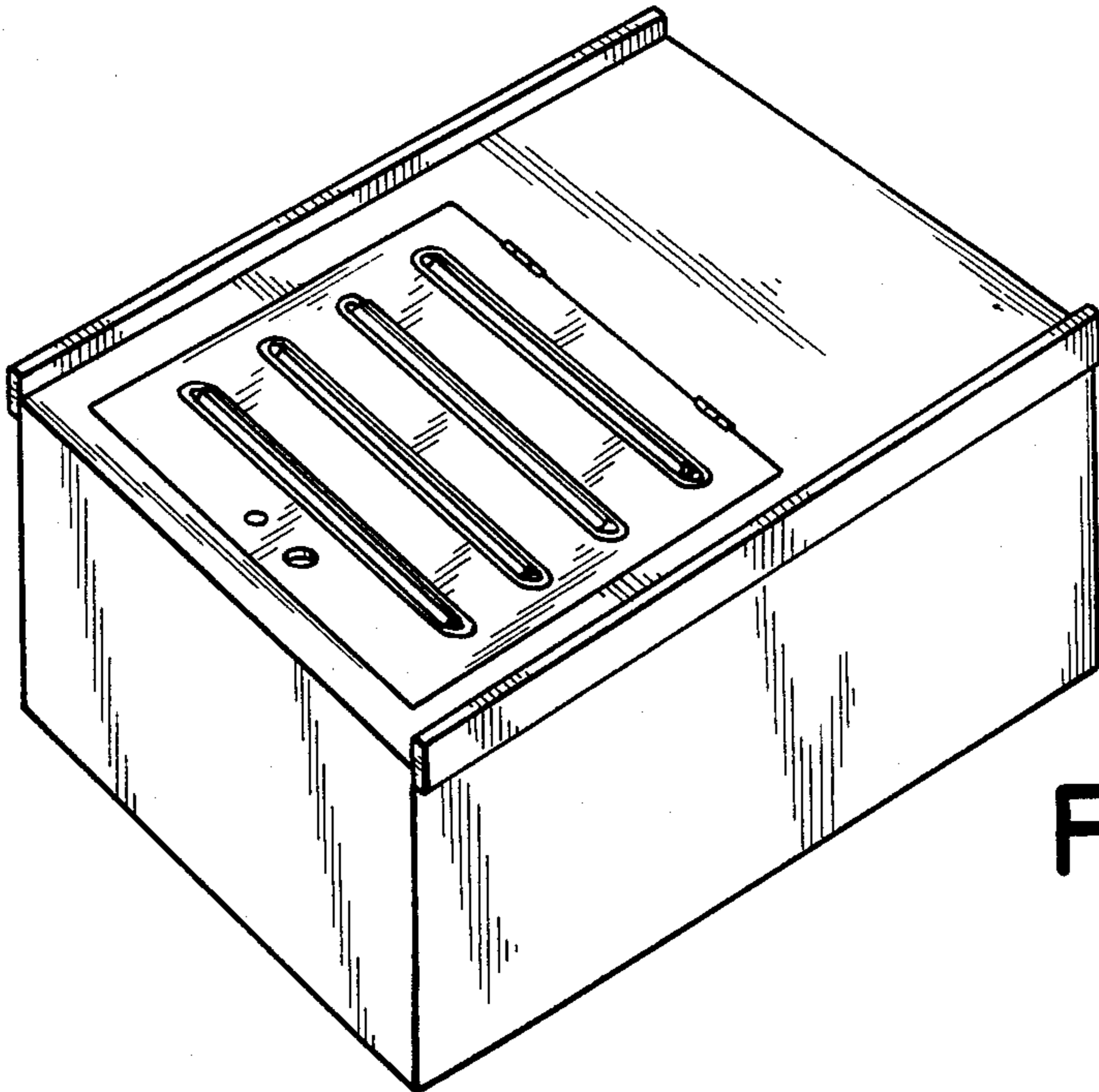


FIG _ 1

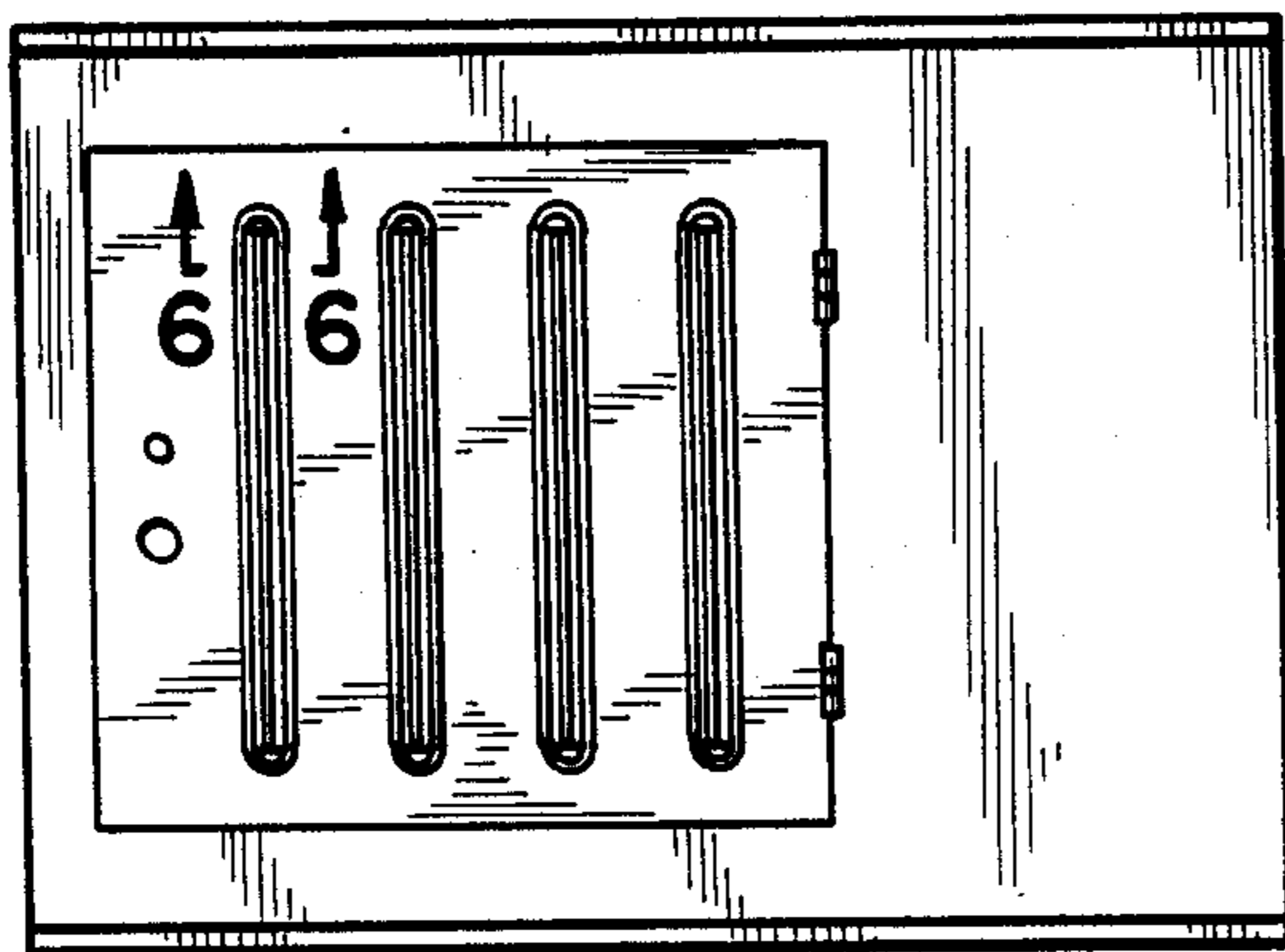


FIG _ 2

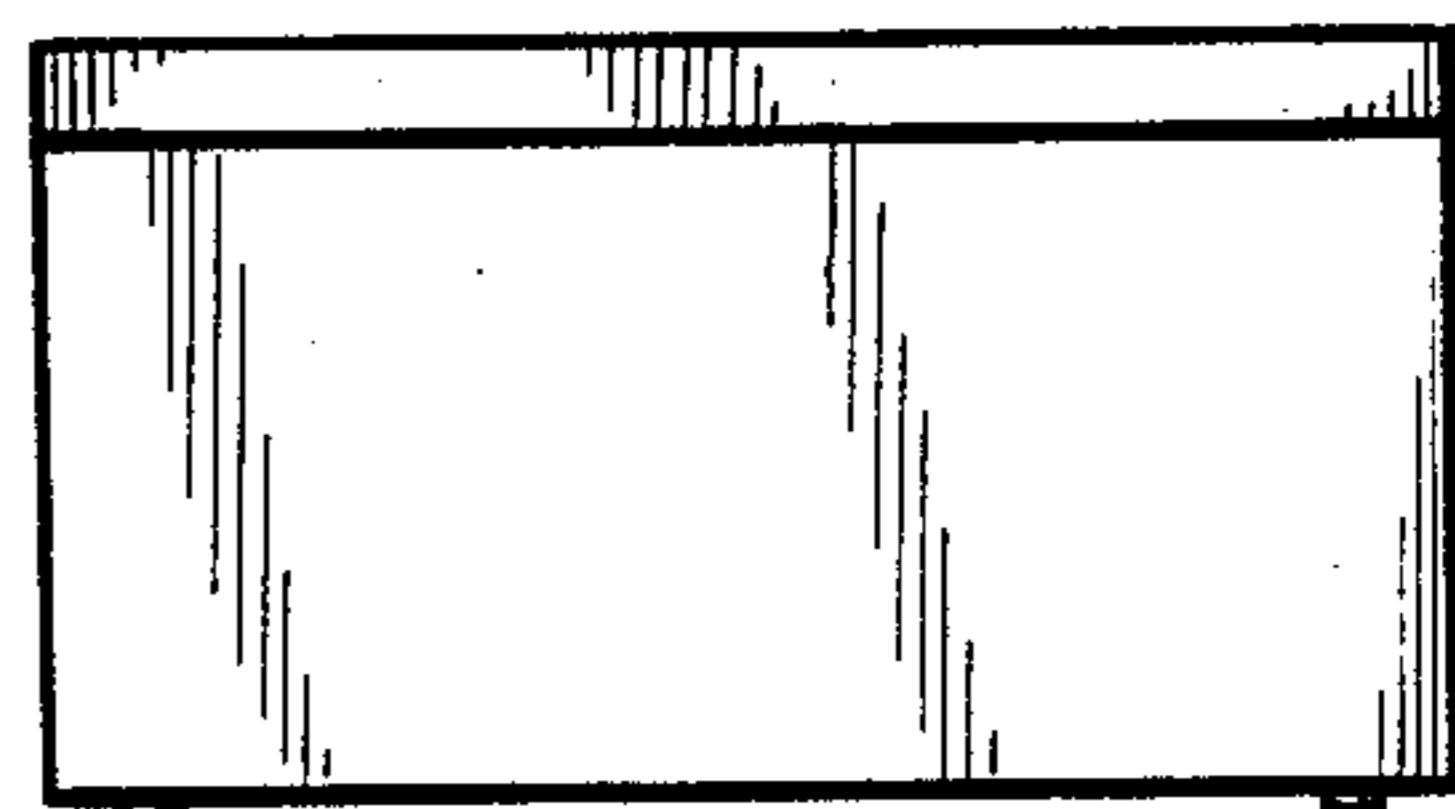


FIG _ 3

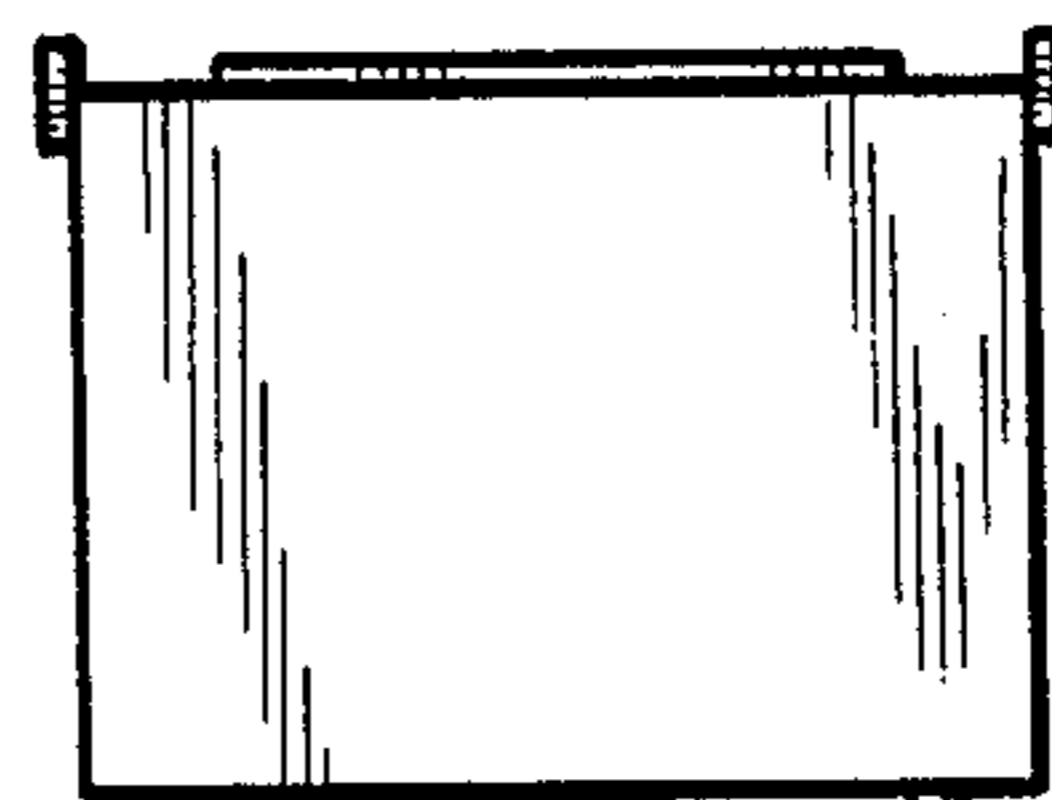


FIG _ 4

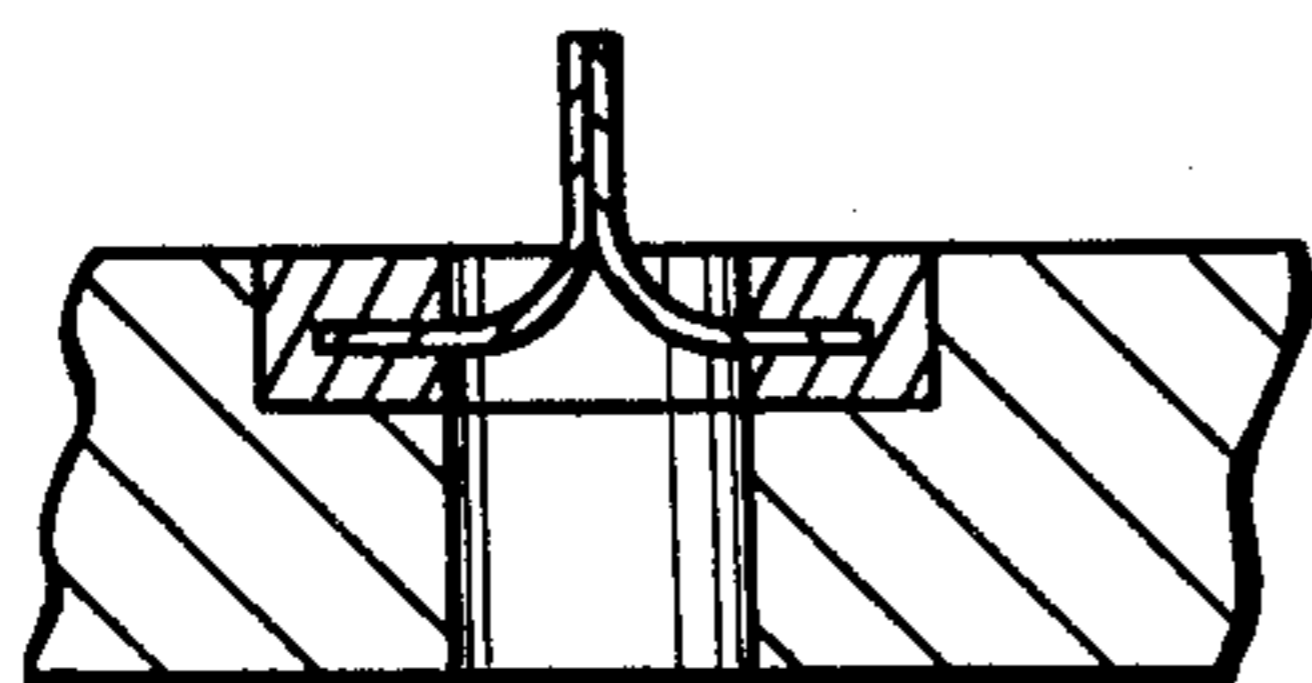


FIG _ 6

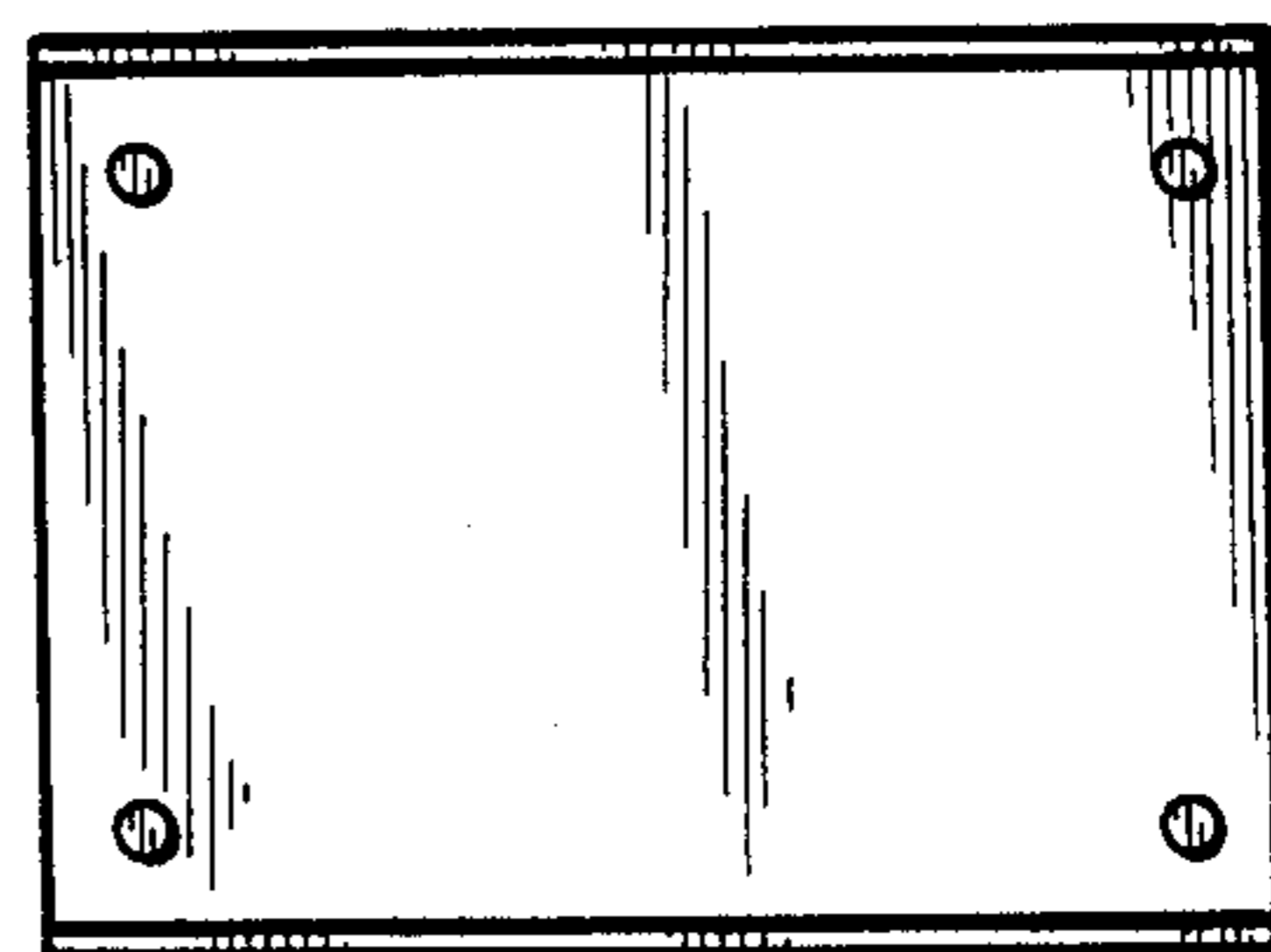


FIG _ 5