

# United States Patent [19]

Moody et al.

[11] Patent Number: **Des. 301,977**

[45] Date of Patent: **\*\* Jul. 4, 1989**

[54] **SUPPORT BRACKET**

[76] Inventors: **Craig D. Moody; Charles E. Moody,**  
both of 4208 Acacia Ave., Bonita,  
Calif. 92002

[\*\*] Term: **14 Years**

[21] Appl. No.: **214,617**

[22] Filed: **Jul. 1, 1988**

[52] U.S. Cl. .... **D8/373; 248/230;**  
52/721

[58] Field of Search ..... **D8/373; 248/218.4, 219.1,**  
248/230; 52/36, 721

[56] **References Cited**

### U.S. PATENT DOCUMENTS

D. 276,195	11/1984	Smith	.....	D8/373	X
D. 294,113	2/1988	Smyth	.....	D8/373	X
D. 297,411	8/1988	Angel	.....	D8/373	
472,514	4/1892	Sankey	.....	248/218.4	X
2,997,182	8/1961	Lewis et al.	.....	248/230	
3,509,678	5/1970	Dake	.....	52/721	

3,638,891	1/1972	Schollosser	.....	52/721	X
3,797,790	3/1974	Iseki	.....	248/230	
3,801,731	4/1974	Hanser	.....	248/230	X
3,850,401	11/1974	Snedaker	.....	248/230	X
4,735,152	4/1988	Bricker	.....	248/230	X

*Primary Examiner*—Horace B. Fay, Jr.  
*Attorney, Agent, or Firm*—Ralph S. Branscomb

[57] **CLAIM**

The ornamental design for support bracket, as shown and described.

### DESCRIPTION

FIG. 1 is a top plan view of a support bracket showing our new design;

FIG. 2 is a left side elevational view thereof;

FIG. 3 is a left end elevational view thereof;

FIG. 4 is a bottom plan view thereof;

FIG. 5 is a right side elevational view thereof;

FIG. 6 is a sectional view taken along line 6—6 of FIG. 5; and

FIG. 7 is a left side, top perspective view thereof.

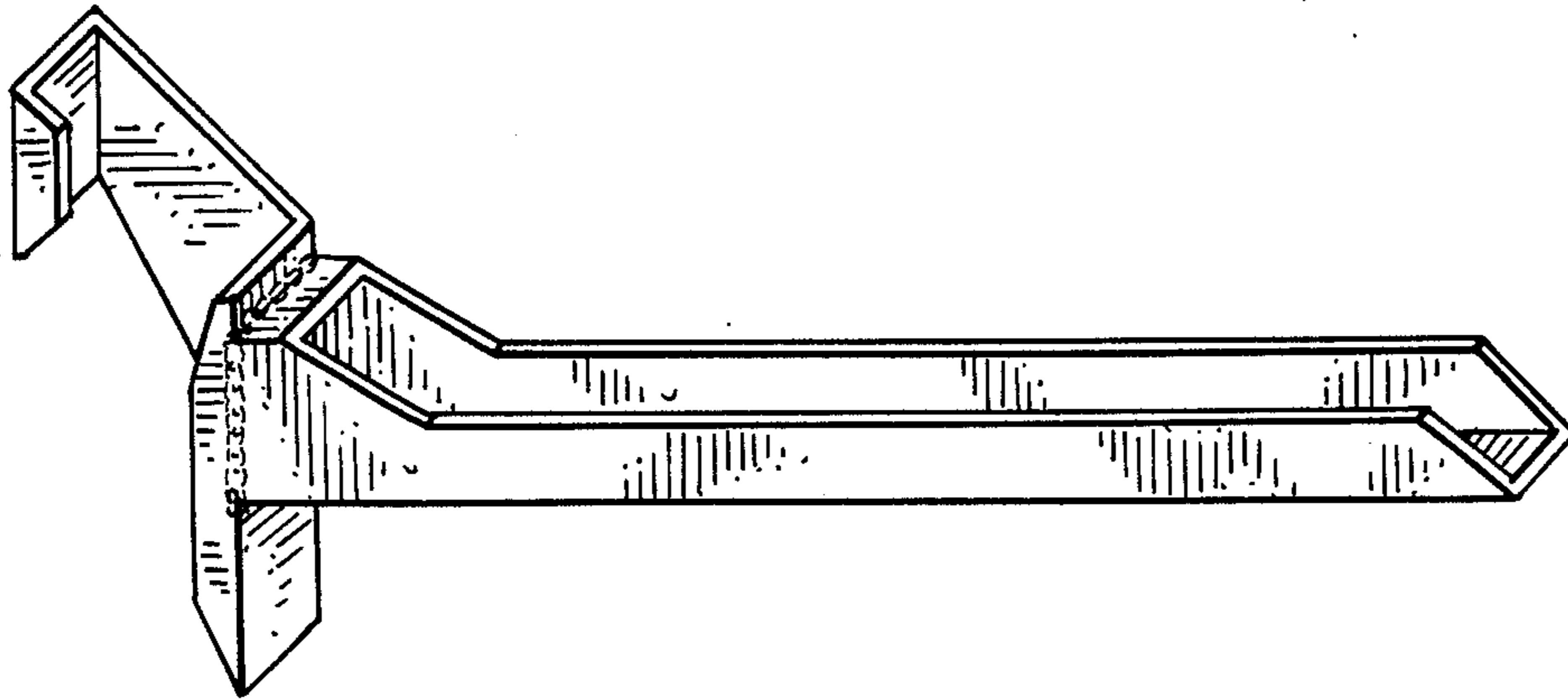


Fig. 1

Fig. 3

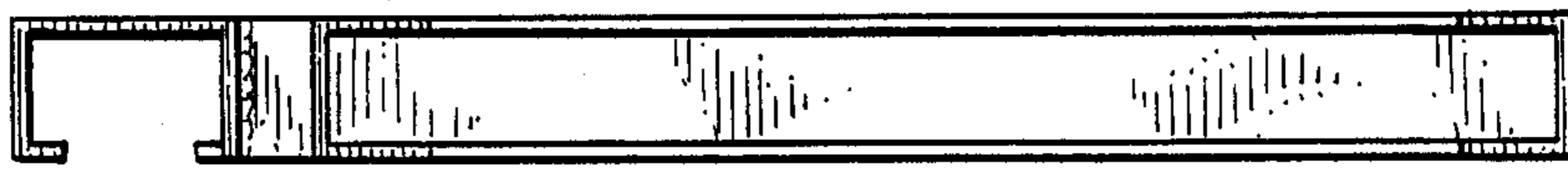


Fig. 2

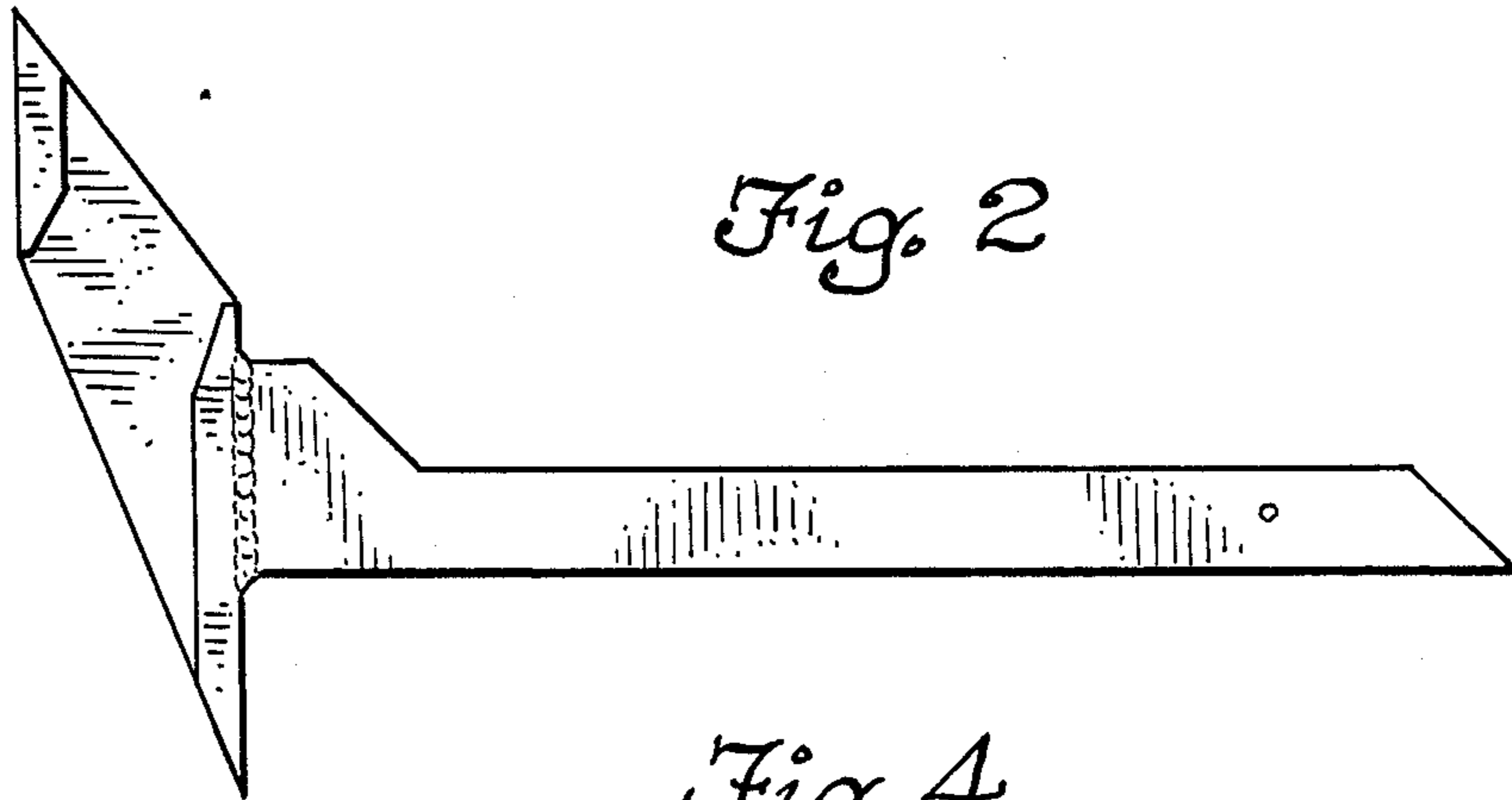


Fig. 4

Fig. 6

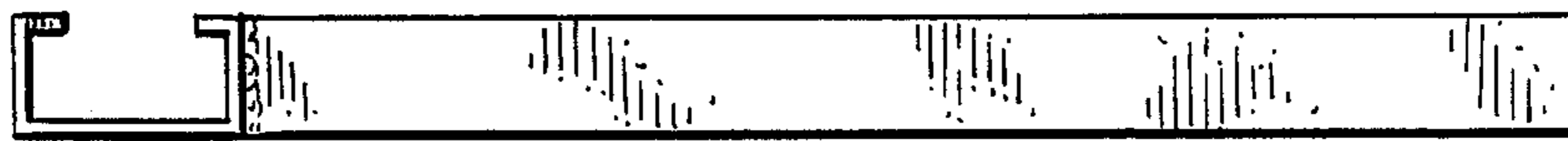


Fig. 5

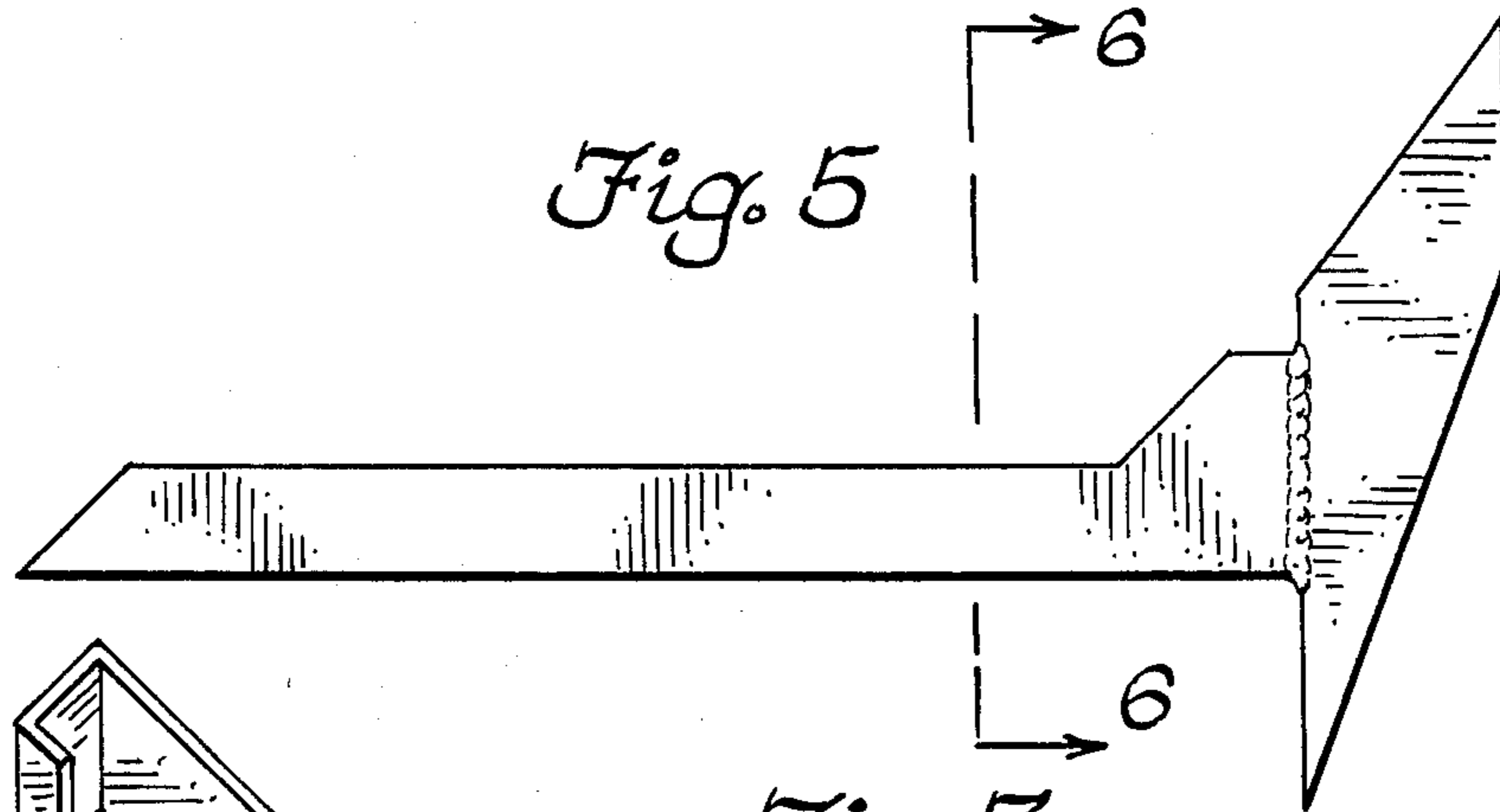


Fig. 7

