

[54] **HASP-TYPE LATCH**

[75] **Inventors: Louis G. Bobrowski, Berlin; Walter J. MacFarlane, Kensington; Richard L. Valenti, New Britain, all of Conn.**

[73] **Assignee: The Stanley Works, New Britain, Conn.**

[**] **Term: 14 Years**

[21] **Appl. No.: 16,234**

[22] **Filed: Feb. 19, 1987**

[52] **U.S. Cl. D8/338**

[58] **Field of Search D8/330-331, D8/336, 344-345; 292/281, 285, 340, 341.14; 70/2, 5, 7, 13, 133, 136, 138-139, 119, 312**

[56] **References Cited**

U.S. PATENT DOCUMENTS

162,486	4/1875	McConway .	
404,080	5/1889	Frost .	
511,933	1/1894	Cottier .	
597,712	1/1898	Eldridge .	
682,657	9/1901	Wirt .	
906,528	12/1908	Hulbert .	
1,141,542	6/1915	Hart .	
1,195,493	8/1916	Nedrow .	
1,335,959	4/1920	Flagg .	
1,508,384	9/1924	Drake	292/285
1,574,348	2/1926	Hager .	
1,992,734	2/1935	Bittorf	292/340
2,046,078	6/1936	Marshall	292/281
2,067,255	1/1947	Bittorf	292/281
2,267,374	12/1941	Eber	70/5
2,428,270	9/1947	Dzurinda	292/340
2,520,742	8/1950	Soref et al.	292/281
3,416,338	12/1968	Gehrie	70/312
3,476,429	1/1969	Foote	292/281
3,527,070	9/1970	Sato	70/133
3,707,861	1/1973	Lindner	70/312 X
3,787,082	1/1974	Foote	292/281
3,845,644	11/1974	Lindner	70/312 X
3,942,344	3/1976	Gehrie et al.	70/312 X
4,079,974	3/1978	Roper	292/281
4,100,775	7/1978	Bako	70/312 X
4,168,616	9/1979	Goldman	70/119
4,259,856	4/1981	Wingert	70/312 X
4,267,716	5/1981	Milles	70/312 X
4,279,136	7/1981	Milles	70/312 X

4,290,286	9/1981	Rae	70/312 X
4,308,731	1/1982	Remington	70/312 X
4,318,287	3/1982	Remington et al.	70/312 X
4,324,120	4/1982	Gisiger	70/312
4,327,566	5/1982	Ling	70/312
4,341,101	7/1982	Bako	70/312
4,343,163	8/1982	Scelba et al.	70/312
4,348,878	9/1982	Chang	70/312 X
4,354,366	10/1982	Bako	70/312
4,355,524	10/1982	Bako	70/312
4,366,684	1/1983	Bako et al.	70/312 X
4,366,685	1/1983	Remington	70/312 X
4,366,686	1/1983	Remington et al.	70/312 X
4,366,687	1/1983	Atkinson	70/312 X
4,383,425	5/1983	Orabona	70/312
4,389,863	6/1983	Bako	70/312
4,395,892	8/1983	Remington .	
4,403,799	9/1983	Kafka et al.	292/285
4,420,953	12/1983	Remington	70/312 X
4,420,956	12/1983	Li	70/312
4,441,346	4/1984	Castiglioni	70/312
4,450,698	5/1984	Scelba	70/312
4,462,232	7/1984	Yang	70/312
4,467,628	8/1984	Zampini, Jr.	70/312
4,487,043	12/1984	Milles	70/312

OTHER PUBLICATIONS

Hardware Age-Insert (7/15/68)-Locking Hasp "A".
Photographs of Hasp-Type Hinge (undated) by Alliance Tool-submitted by applicant.

Primary Examiner—Wallace R. Burke

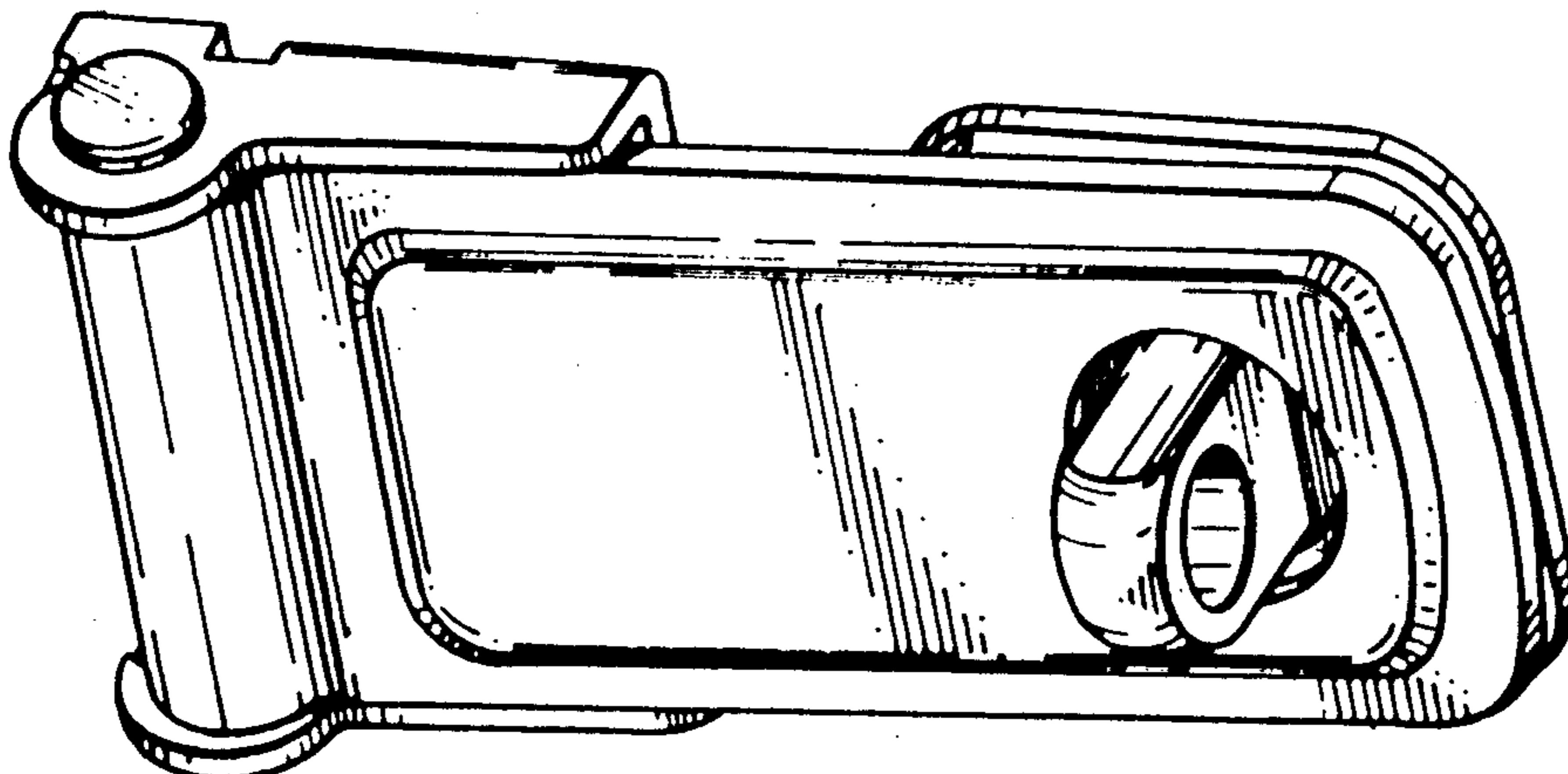
Assistant Examiner—Brian N. Vinson

[57] **CLAIM**

The ornamental design for a hasp-type latch, as shown and described.

DESCRIPTION

FIG. 1 is a perspective view of a hasp-type latch showing our new design;
FIG. 2 is a front elevational view thereof;
FIG. 3 is a bottom plan view thereof;
FIG. 4 is a left side elevational view thereof;
FIG. 5 is a rear elevational view thereof;
FIG. 6 is a right side elevational view thereof; and
FIG. 7 is a perspective view thereof, showing the leaf pivoted to an open position; and
FIG. 8 is a fragmentary perspective view thereof, showing the post portion rotated ninety degrees.



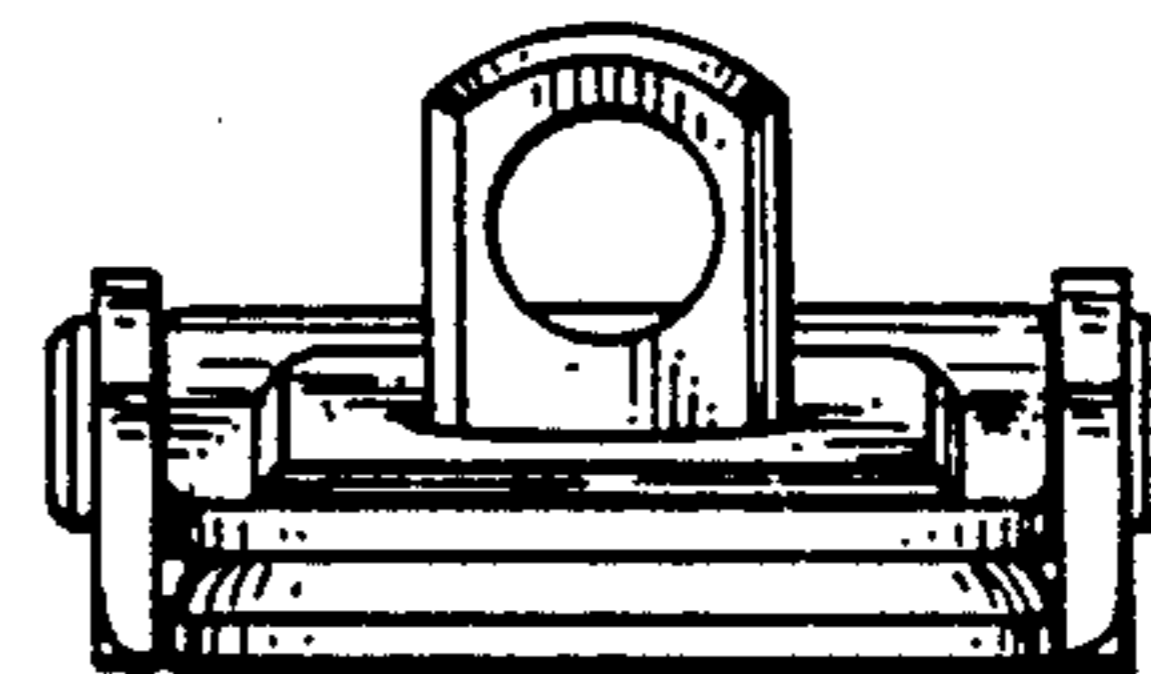
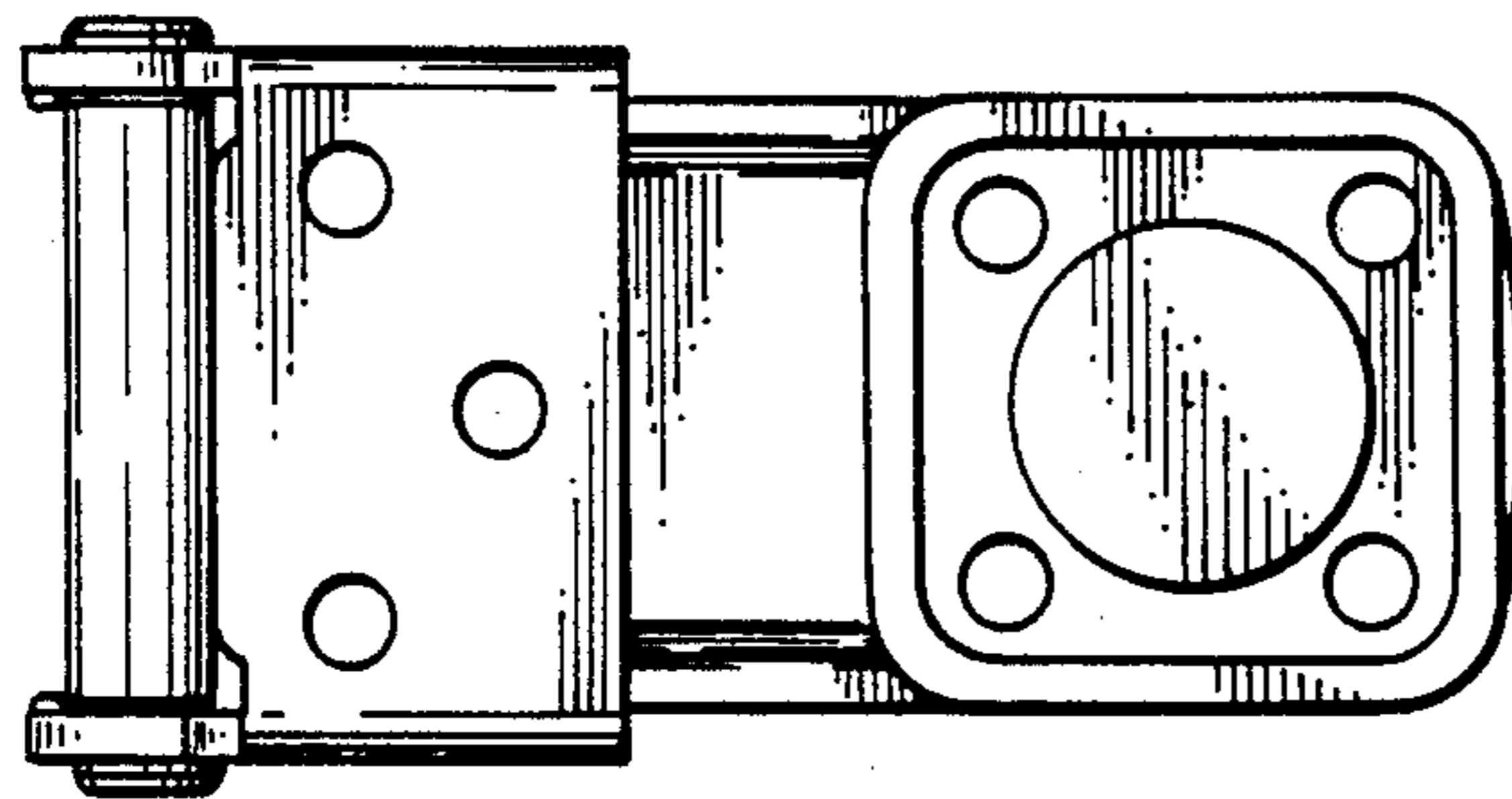
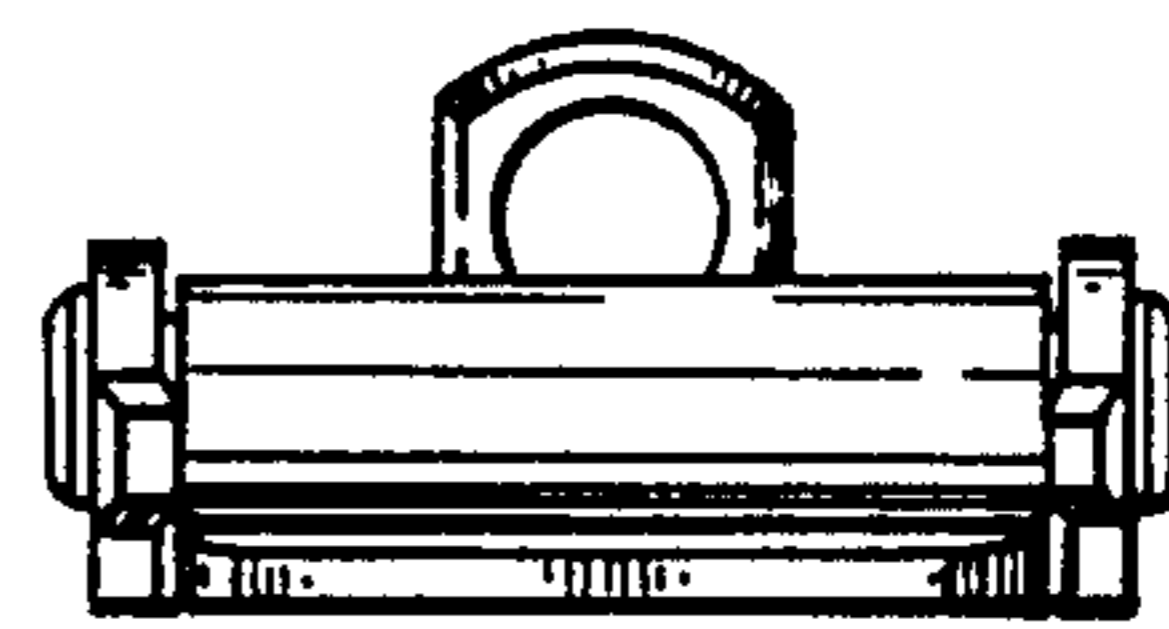
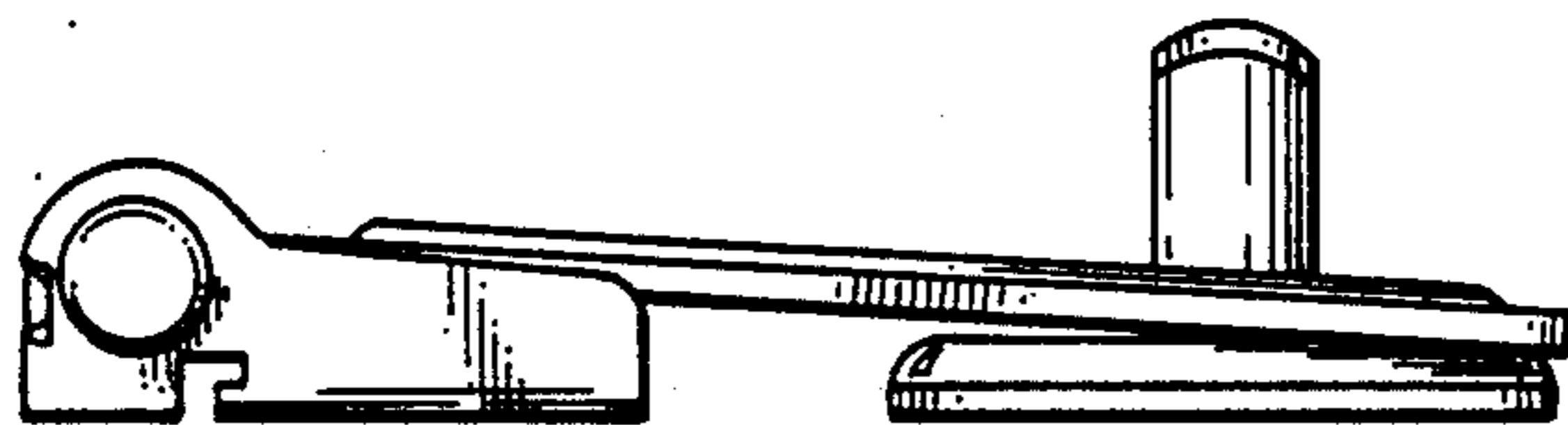
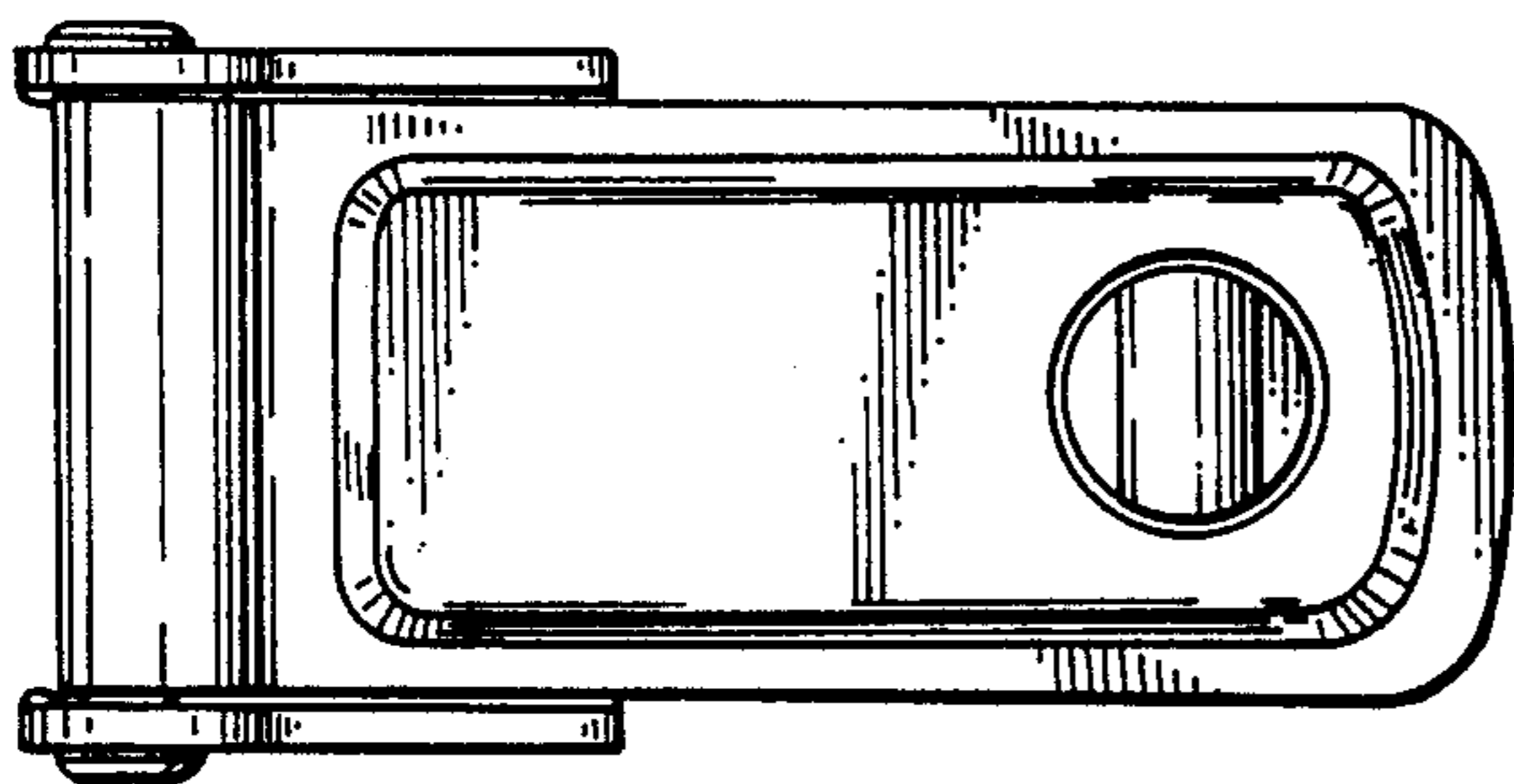
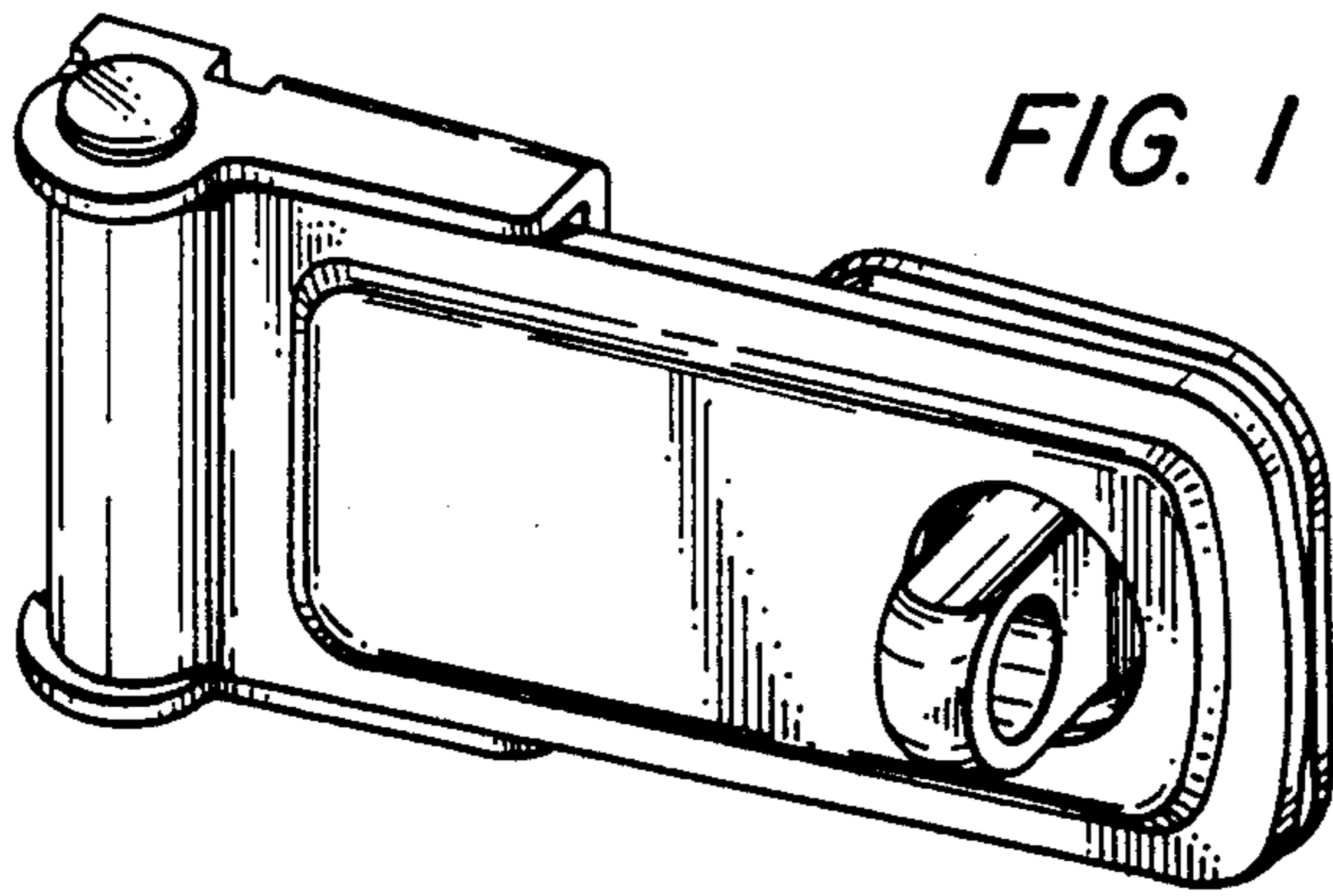


FIG. 7

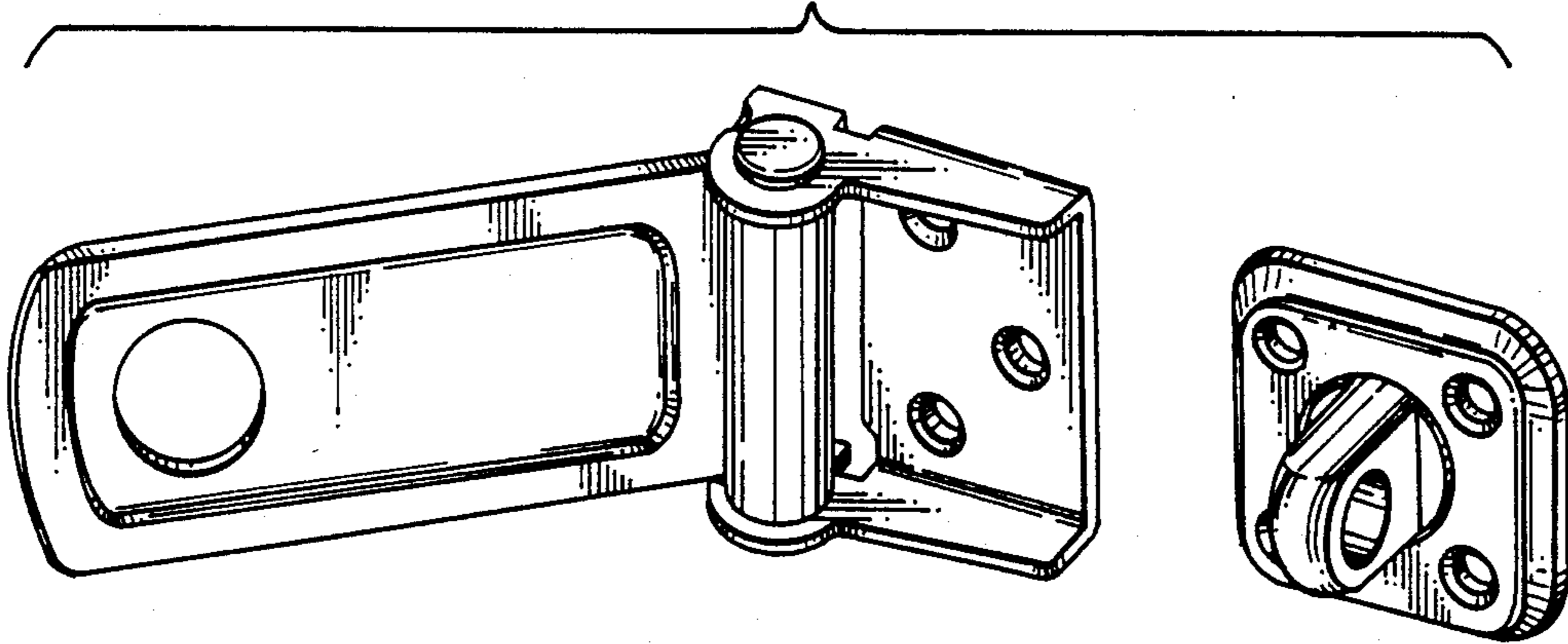


FIG. 8

