

[54] CORDLESS DRILL

[75] Inventor: David G. Kmetz, Westborough, Mass.

[73] Assignee: The Stanley Works, New Britain, Conn.

[**] Term: 14 Years

[21] Appl. No.: 110,479

[22] Filed: Oct. 19, 1987

[52] U.S. Cl. D8/68

[58] Field of Search D8/61, 68, 69; 81/54, 81/57.11, 57.14, 429; 173/163, 170; 408/124, 125, 127; 310/50

[56] References Cited

U.S. PATENT DOCUMENTS

D. 243,652	3/1977	Zurwelle et al.	D8/68
D. 259,392	6/1981	Elmessaar et al.	D8/68
D. 276,883	12/1984	Unger	D8/68
D. 279,862	7/1985	Sato	D8/61
D. 279,957	8/1985	Akazawa	D8/61
D. 280,797	10/1985	Sakamoto	D8/68
D. 280,883	10/1985	Sakamoto	D8/68

D. 296,655	7/1988	Yonezawa et al.	D8/68
3,999,110	12/1976	Ramstrom et al.	320/2
4,032,806	6/1977	Seely	310/50
4,447,749	5/1984	Reeb, Jr. et al.	310/71
4,493,223	1/1985	Kishi et al.	173/163

OTHER PUBLICATIONS

D.I.Y. Retailing, Aug. 1988, p. 166, Makita Driver Drill.

Primary Examiner—Bruce W. Dunkins

Assistant Examiner—Clare E. Heflin

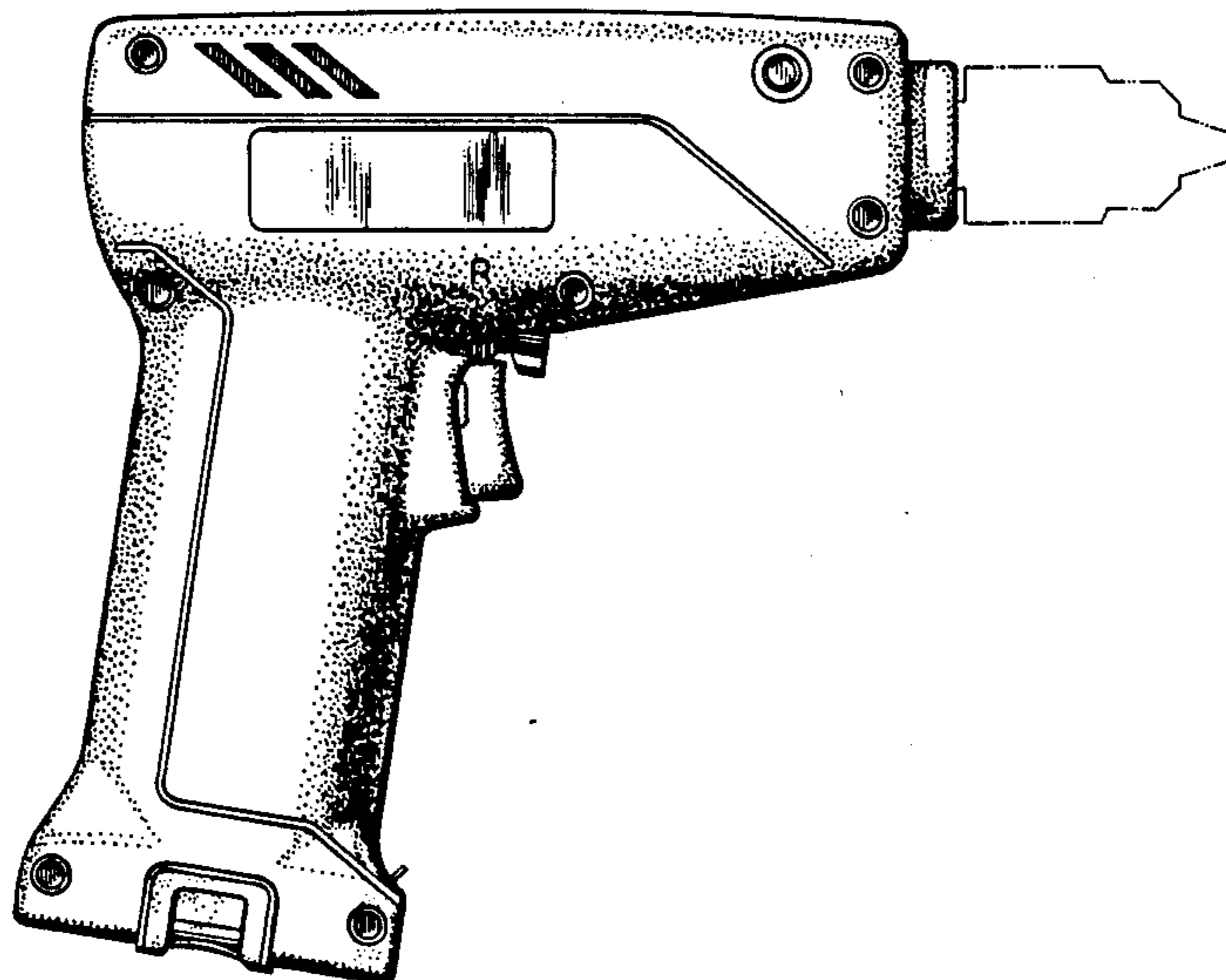
Attorney, Agent, or Firm—Chilton, Alix & Van Kirk

[57] CLAIM

The ornamental design of a cordless drill, as shown and described.

DESCRIPTION

FIG. 1 is a side elevational view of the cordless drill showing my new design; FIG. 2 is an opposite side elevational view thereof; FIG. 3 is a front elevational view thereof; FIG. 4 is a rear elevational view thereof; FIG. 5 is a top plan view thereof; and FIG. 6 is a bottom plan view thereof.



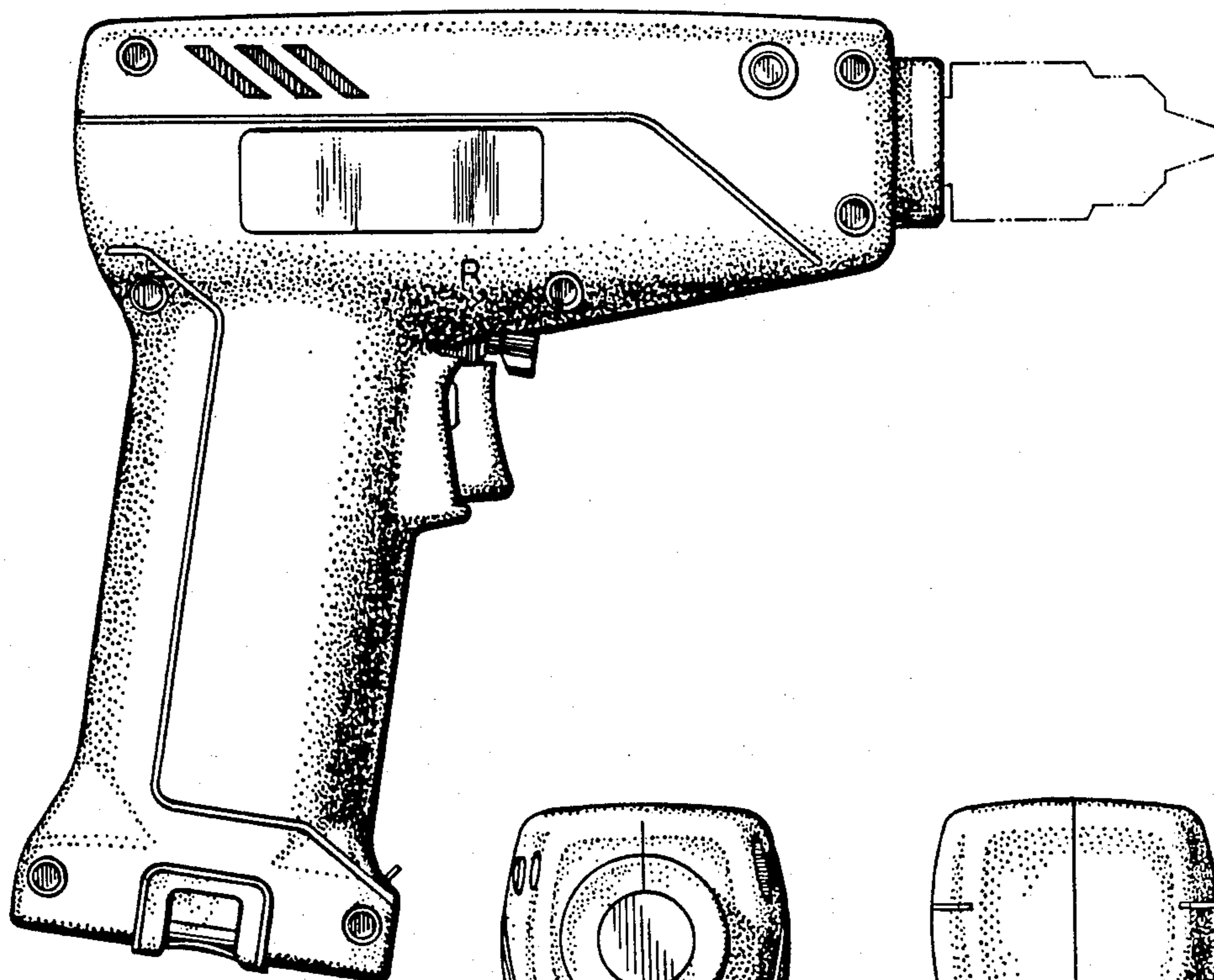


FIG. 1

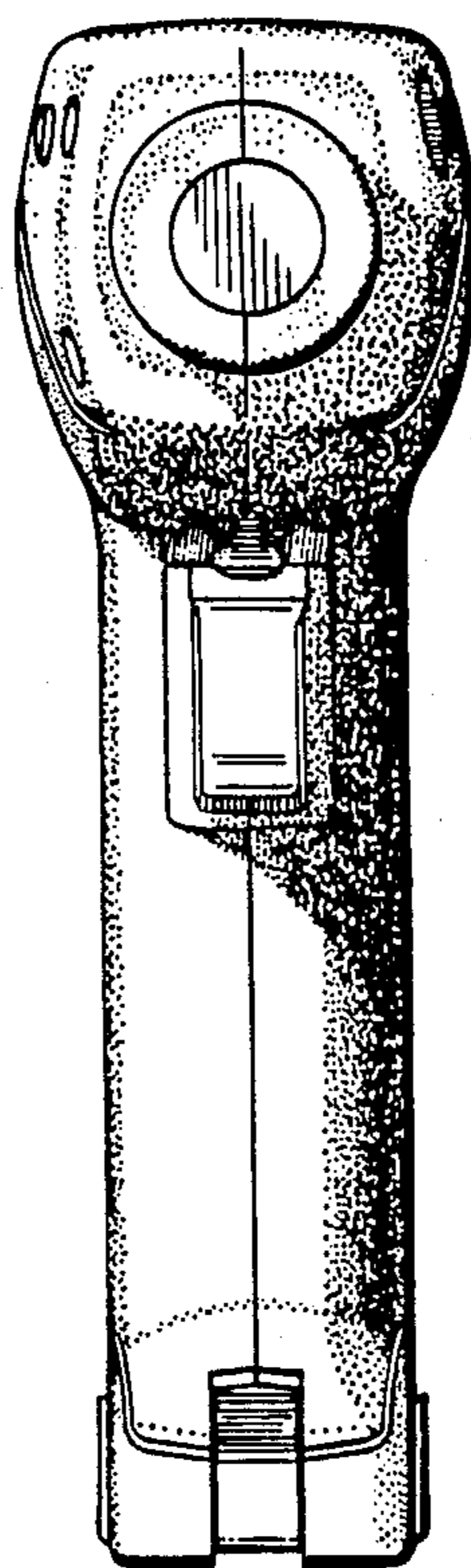


FIG. 3

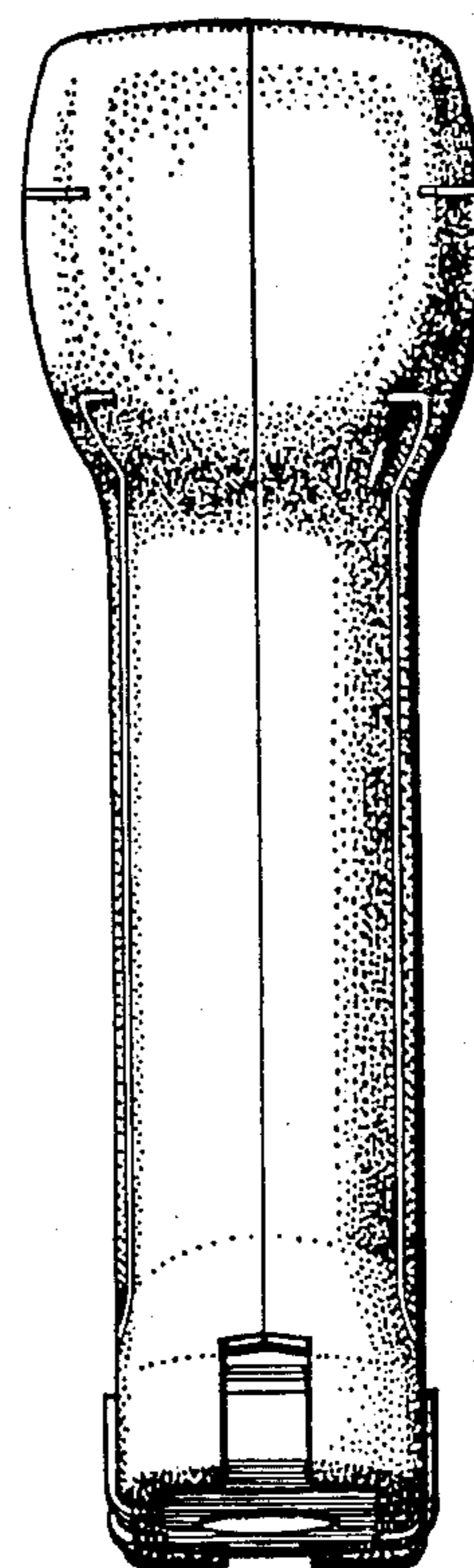


FIG. 4

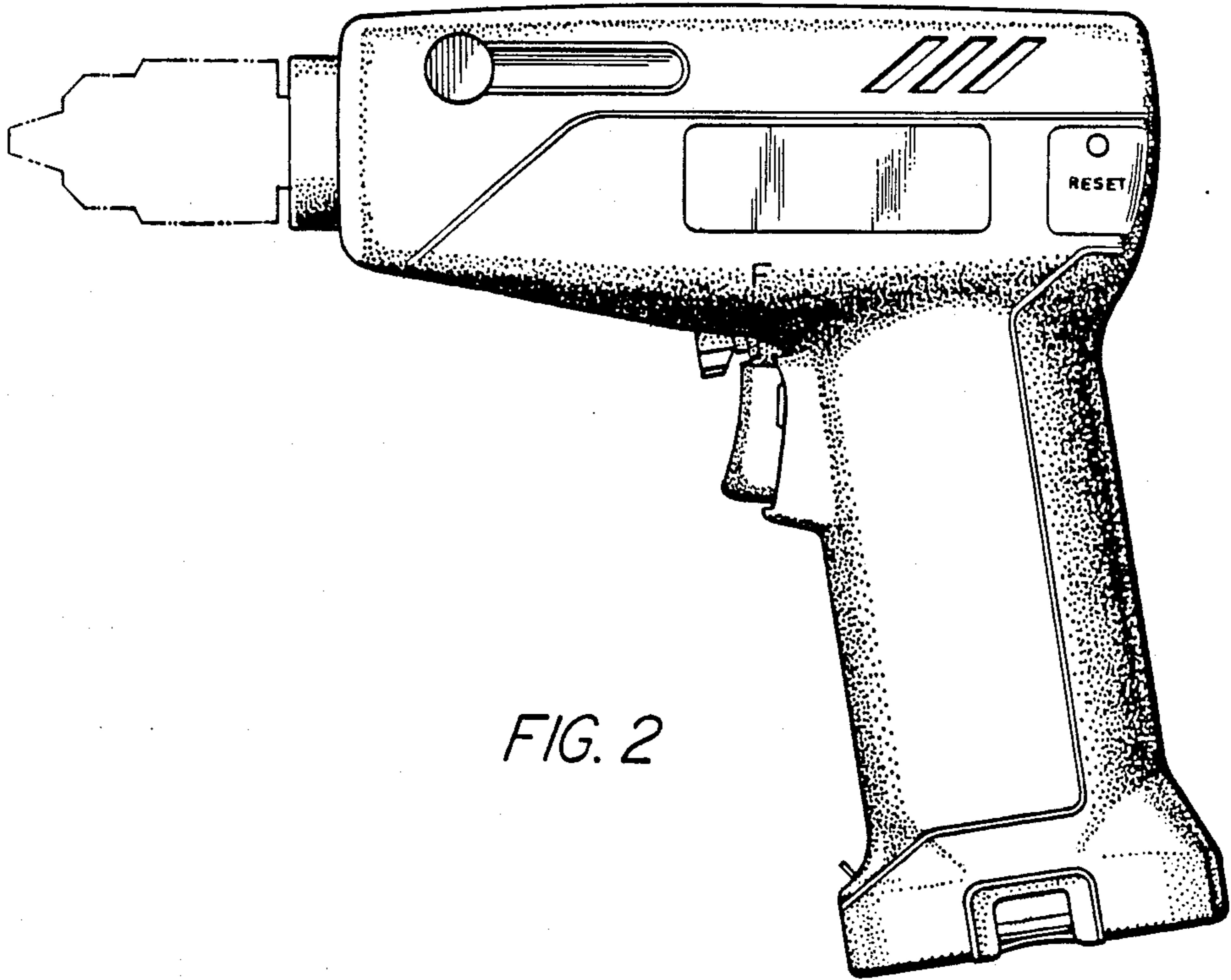


FIG. 2

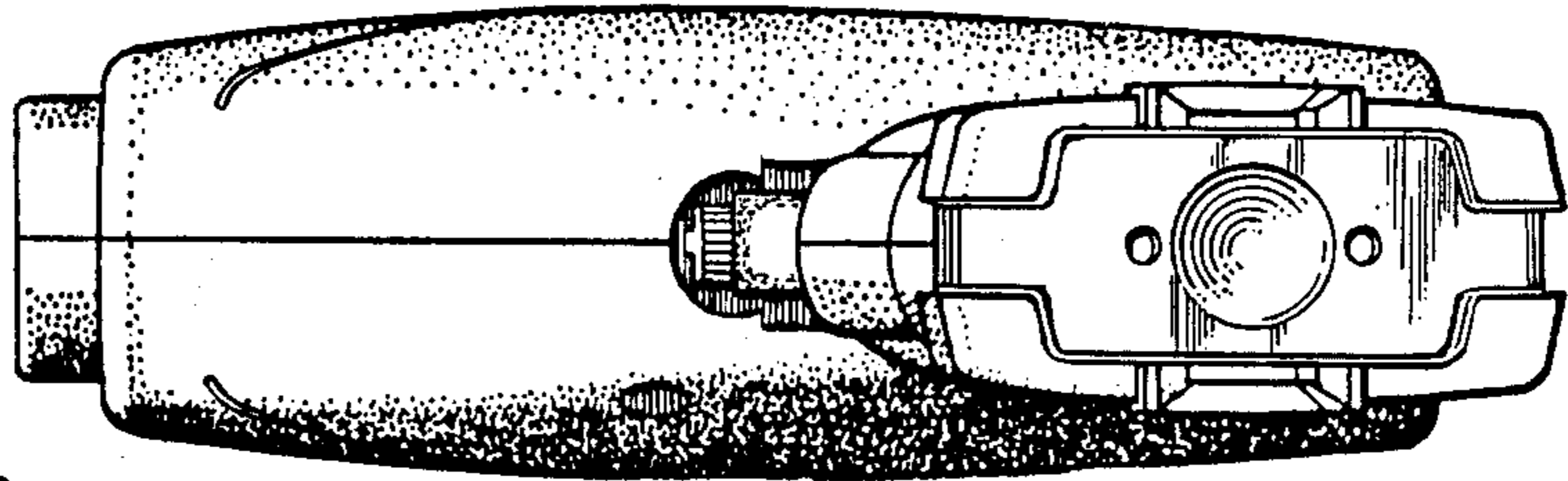


FIG. 6

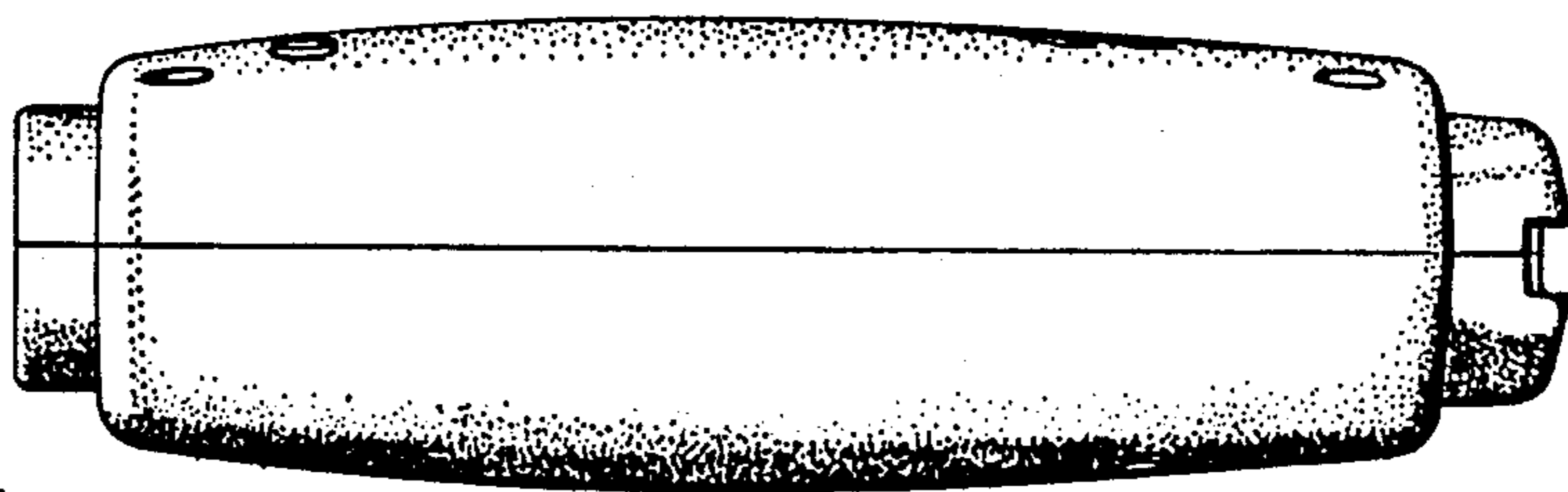


FIG. 5