

# United States Patent [19]

Sakamoto et al.

[11] Patent Number: **Des. 301,967**

[45] Date of Patent: **\*\* Jul. 4, 1989**

[54] **POWER CONCRETE HAMMER**

[75] Inventors: **Masakazu Sakamoto; Toshiaki Saito,**  
both of Tokyo, Japan

[73] Assignee: **Ryobi Ltd., Hiroshima, Japan**

[\*\*] Term: **14 Years**

[21] Appl. No.: **887,853**

[22] Filed: **Jul. 22, 1986**

[30] **Foreign Application Priority Data**

Feb. 11, 1986 [JP] Japan ..... 61-4581

[52] U.S. Cl. .... **D8/67; D8/61;**  
D8/69

[58] Field of Search ..... **D8/61-70;**  
173/170; 81/57.11, 57.13, 57.14; 51/170 R, 170  
PT

[56] **References Cited**

## U.S. PATENT DOCUMENTS

D. 242,427 11/1976 Wilsgaard ..... D8/67  
2,518,395 8/1950 Sopris ..... 173/170

2,533,487 12/1950 Maurer et al. .... 173/170  
3,837,409 9/1974 Consoli et al. .... 173/170

## OTHER PUBLICATIONS

Popular Mechanics, May 1987, p. 42, SKIL Concrete  
Buster.

*Primary Examiner*—Bruce W. Dunkins

*Assistant Examiner*—Clare E. Heflin

*Attorney, Agent, or Firm*—Sughrue, Mion, Zinn,  
Macpeak & Seas

[57] **CLAIM**

The ornamental design for a power concrete hammer,  
as shown.

## DESCRIPTION

FIG. 1 is a front, top, and right side perspective view of  
a power concrete hammer showing our new design;  
FIG. 2 is a left side elevational view thereof;  
FIG. 3 is a right side elevational view thereof;  
FIG. 4 is a top plan view thereof;  
FIG. 5 is a bottom plan view thereof;  
FIG. 6 is a front elevational view thereof; and  
FIG. 7 is a rear elevational view thereof.

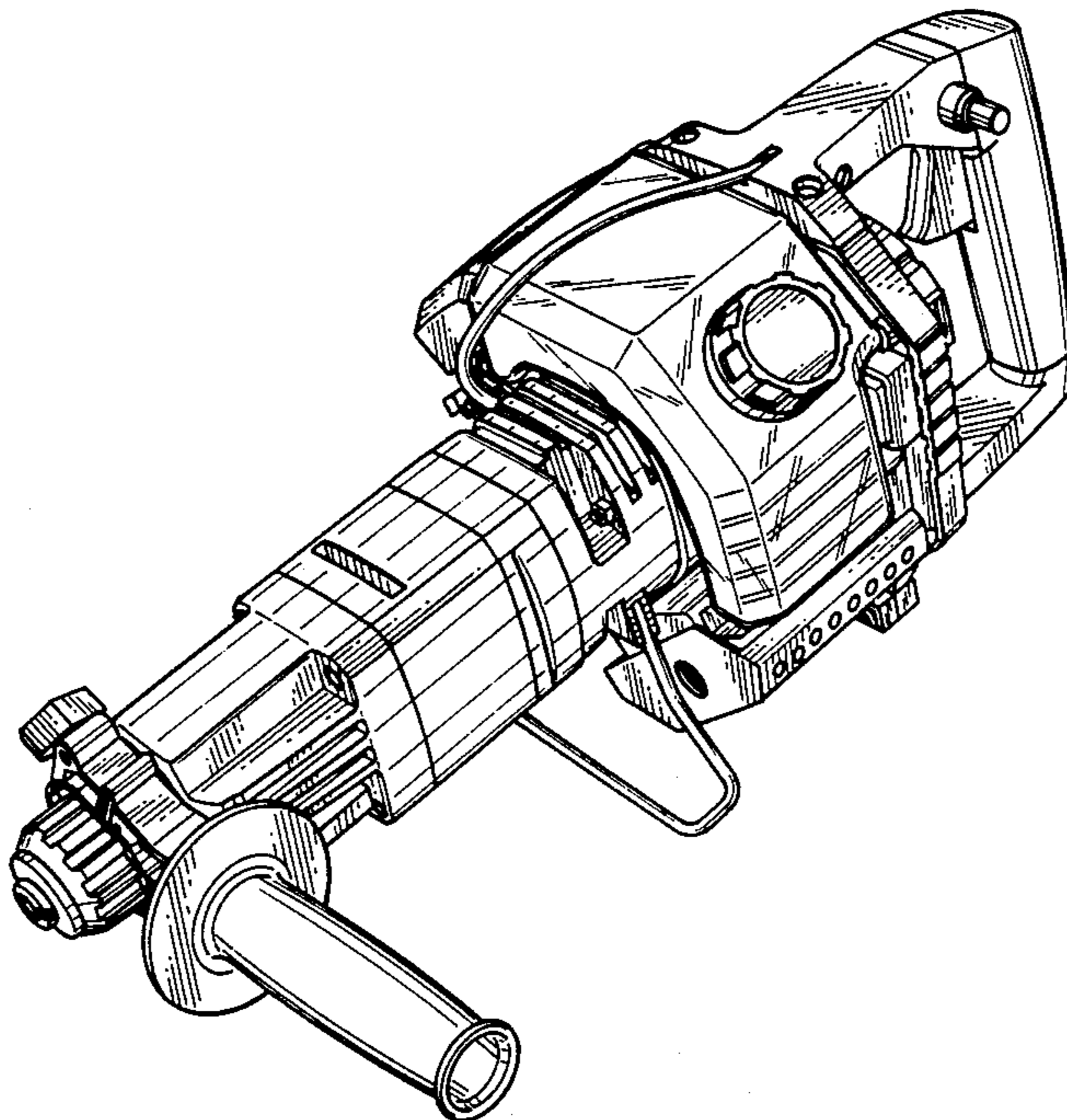


Fig. 1

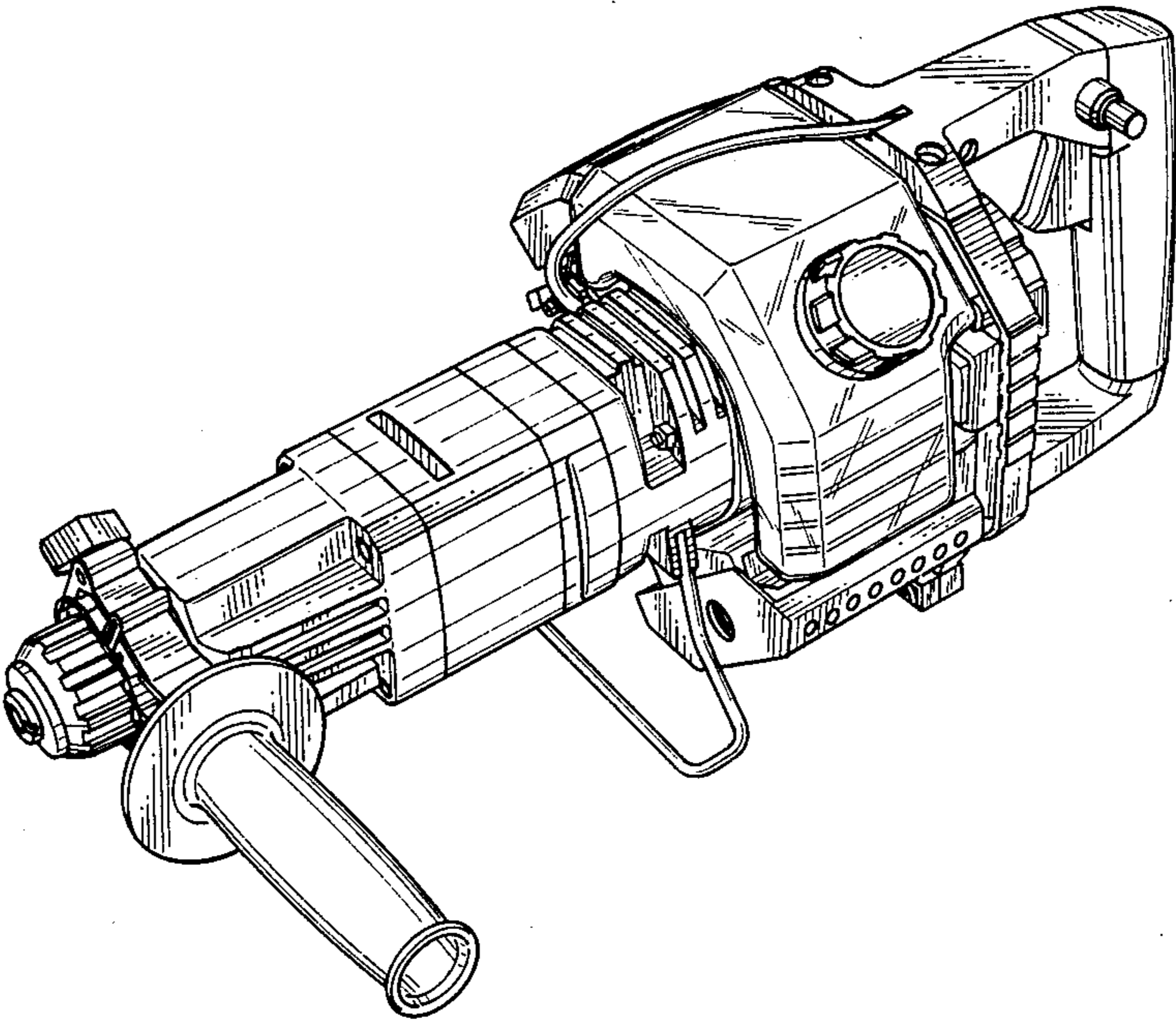


Fig. 2

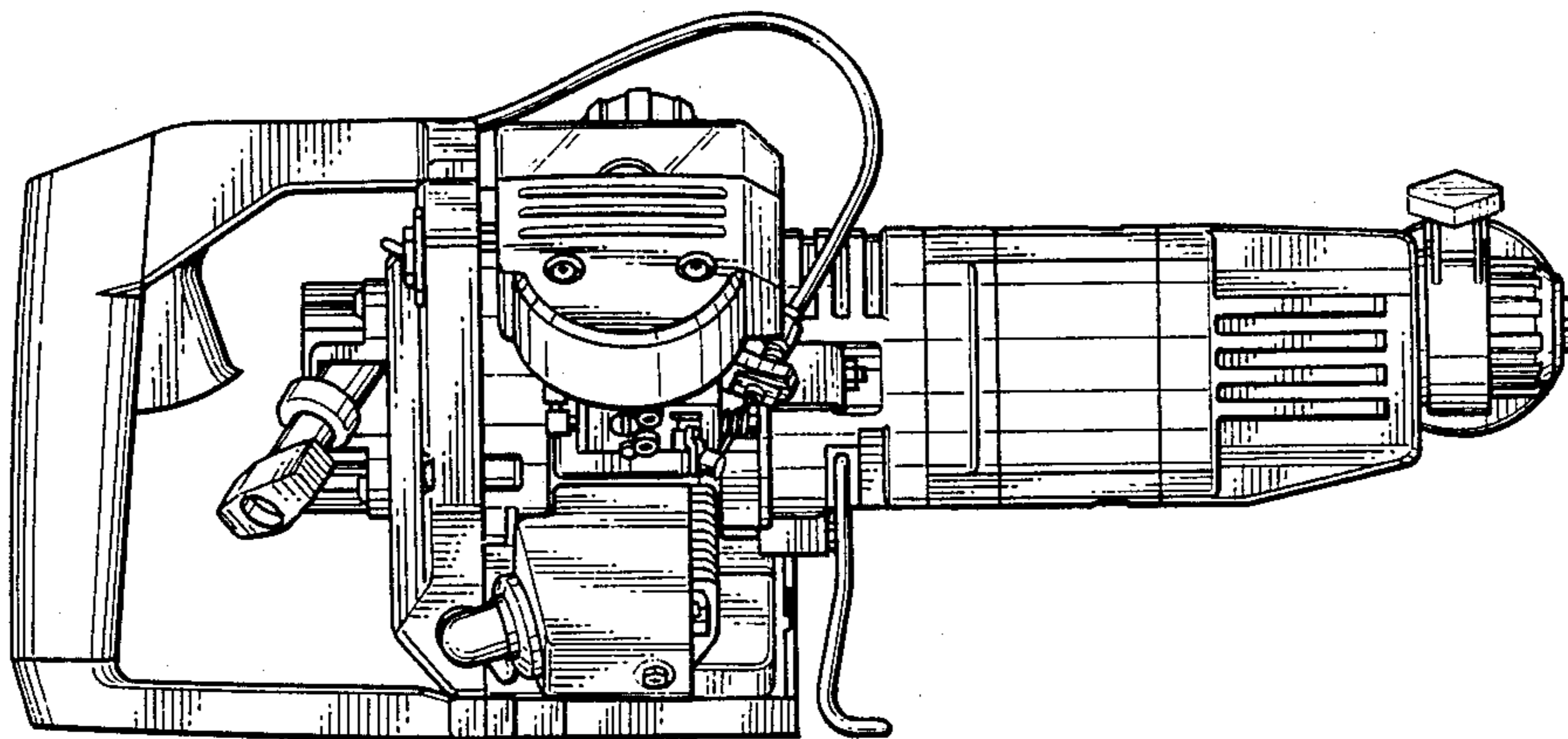


Fig. 3

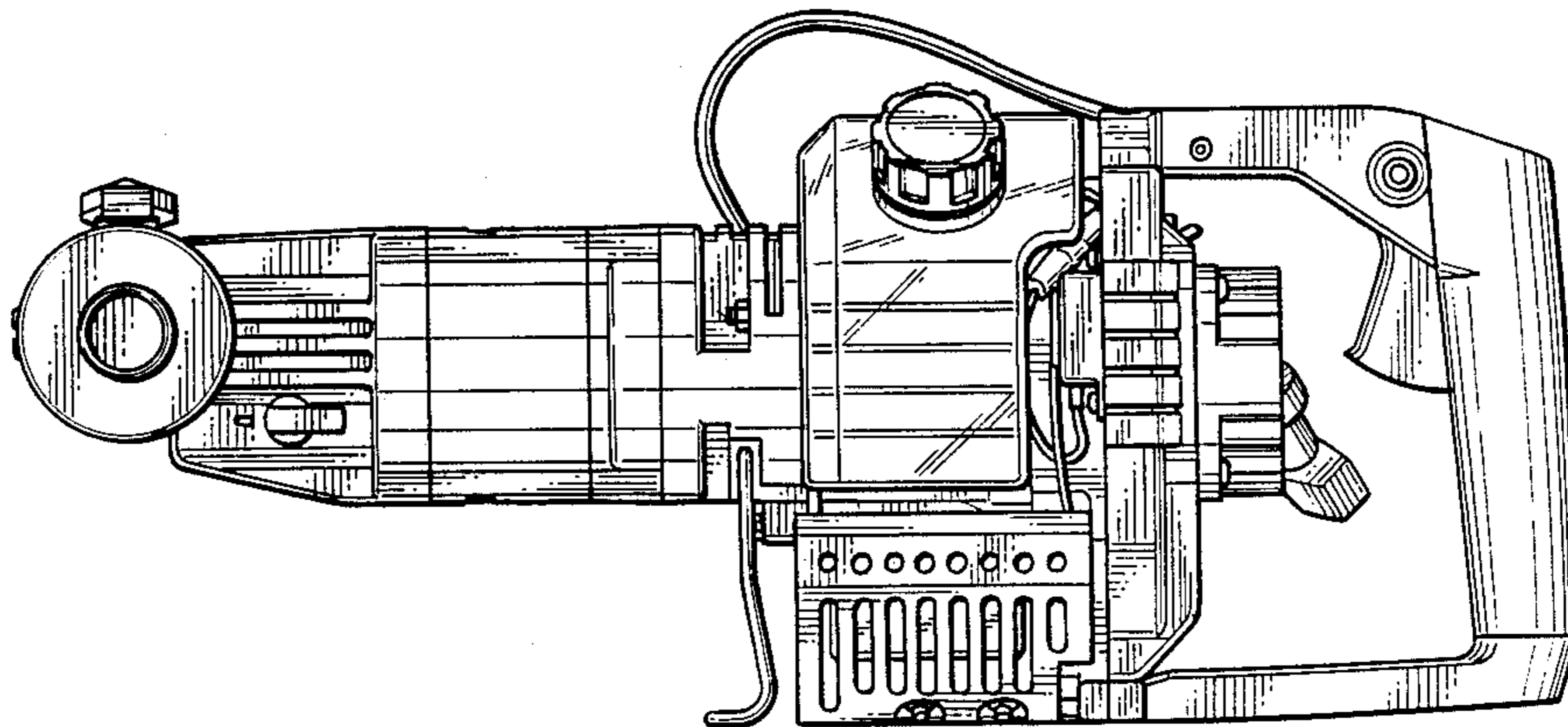


Fig. 4

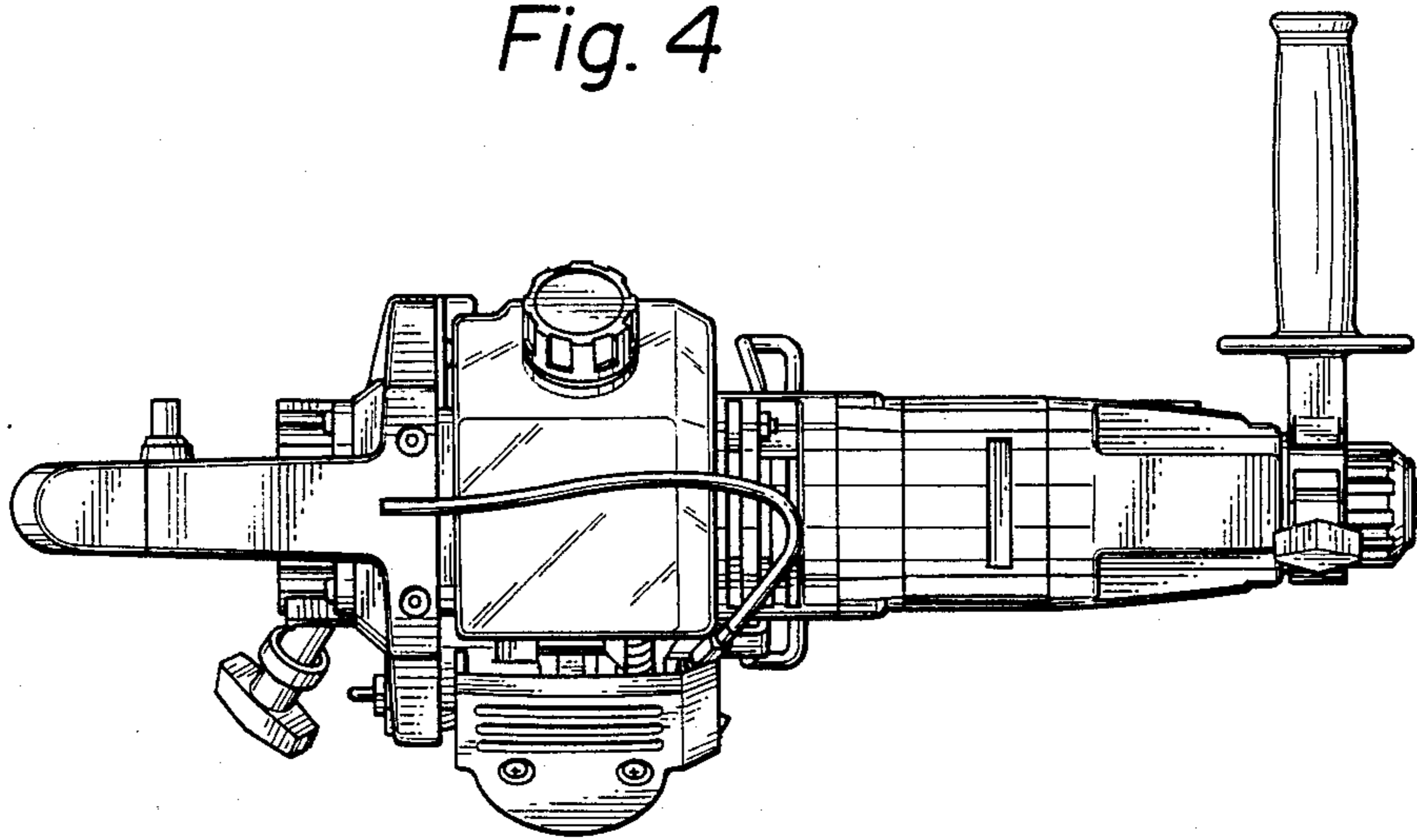


Fig. 5

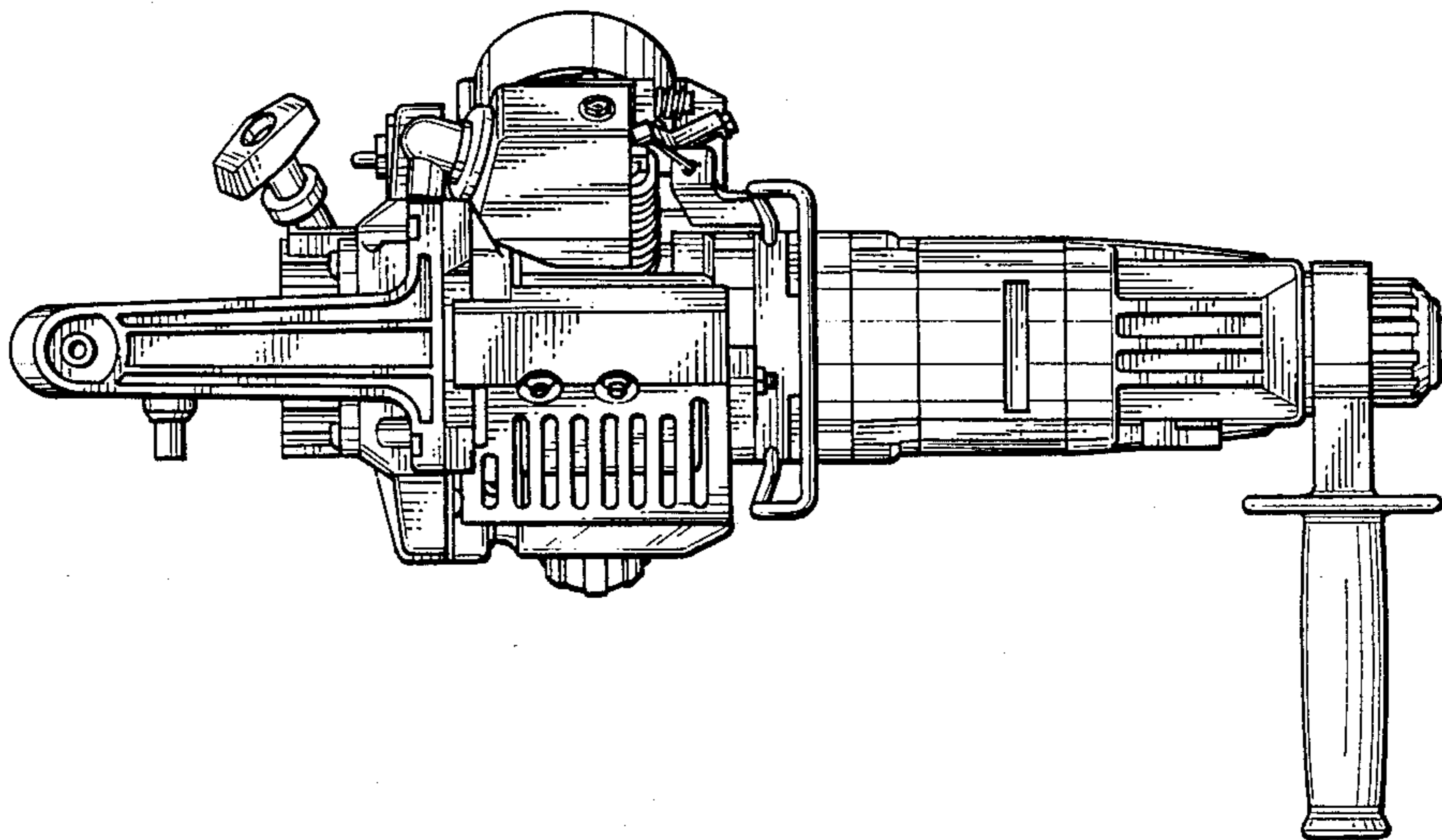


Fig. 6

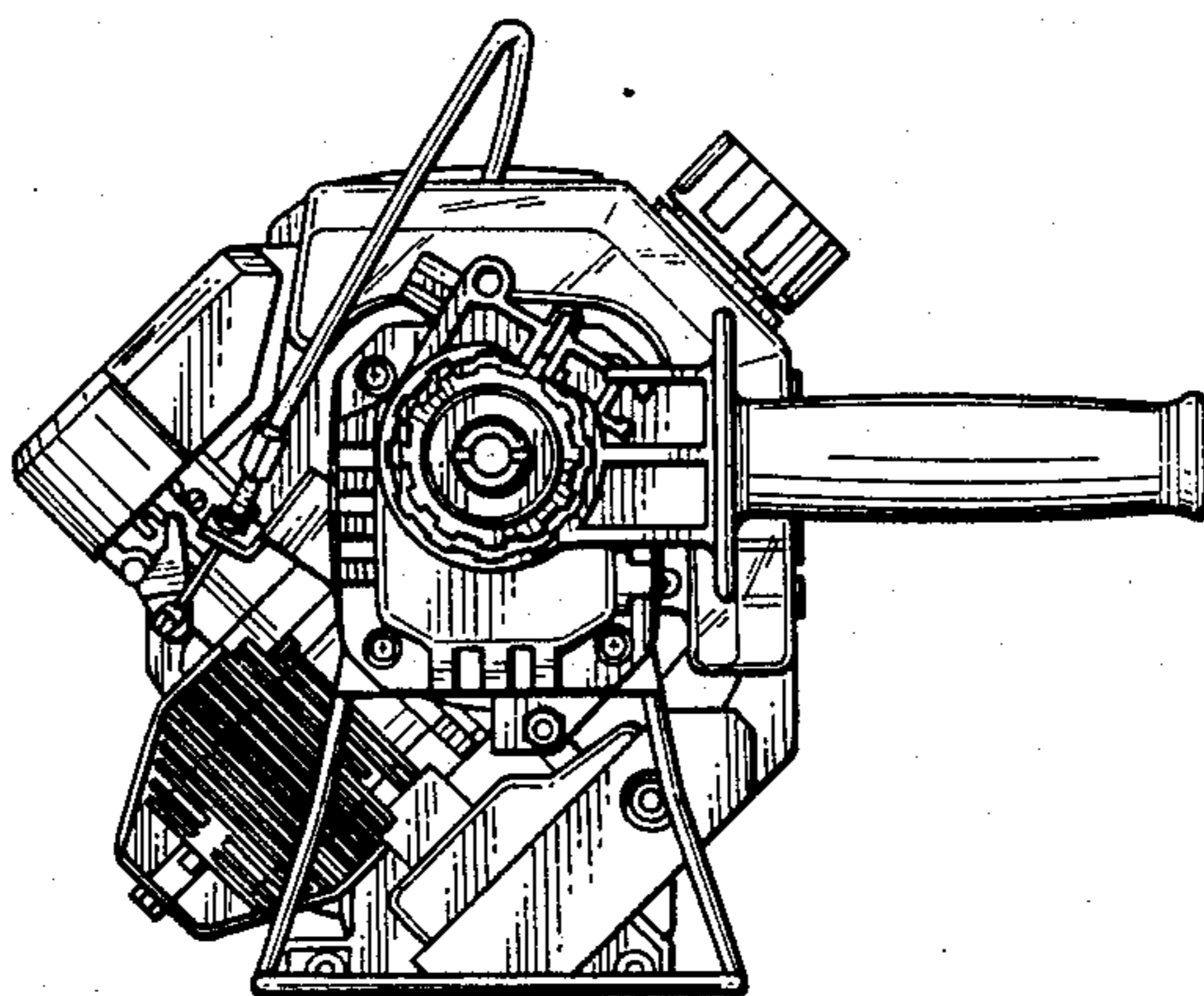


Fig. 7

