

**United States Patent** [19]  
**Currie**

[11] **Patent Number: Des. 301,966**  
[45] **Date of Patent: \*\* Jul. 4, 1989**

[54] **POWER FILE**

[75] **Inventor:** Neil A. Currie, Cheshire, United Kingdom  
[73] **Assignee:** Black & Decker Inc., Newark, Del.  
[\*\*] **Term:** 14 Years

[21] **Appl. No.:** 841,740  
[22] **Filed:** Mar. 5, 1986

[30] **Foreign Application Priority Data**

Sep. 19, 1985 [GB] United Kingdom ..... 1029308  
[52] **U.S. Cl.** ..... D8/62  
[58] **Field of Search** ..... D8/61-70;  
173/170; 51/170 R, 170 T, 170 TL, 170 PT,  
170 MT, 170 EB; 81/57.11, 57.13, 57.14;  
310/50

[56] **References Cited**

**U.S. PATENT DOCUMENTS**

D. 215,047 8/1969 Mikiya ..... D8/62  
D. 217,427 5/1970 Slany ..... D8/62  
D. 243,742 3/1977 House, II et al. .... D8/69  
3,530,577 9/1970 Franklin et al. .... 51/170 MT

3,619,949 11/1971 Welsch et al. .... 51/170 EB  
4,128,970 12/1978 Sawrenko ..... 51/170 TL

**FOREIGN PATENT DOCUMENTS**

2180783 4/1987 United Kingdom ..... 51/170 TL

**OTHER PUBLICATIONS**

Dynabrade advertising brochure, power hand file.

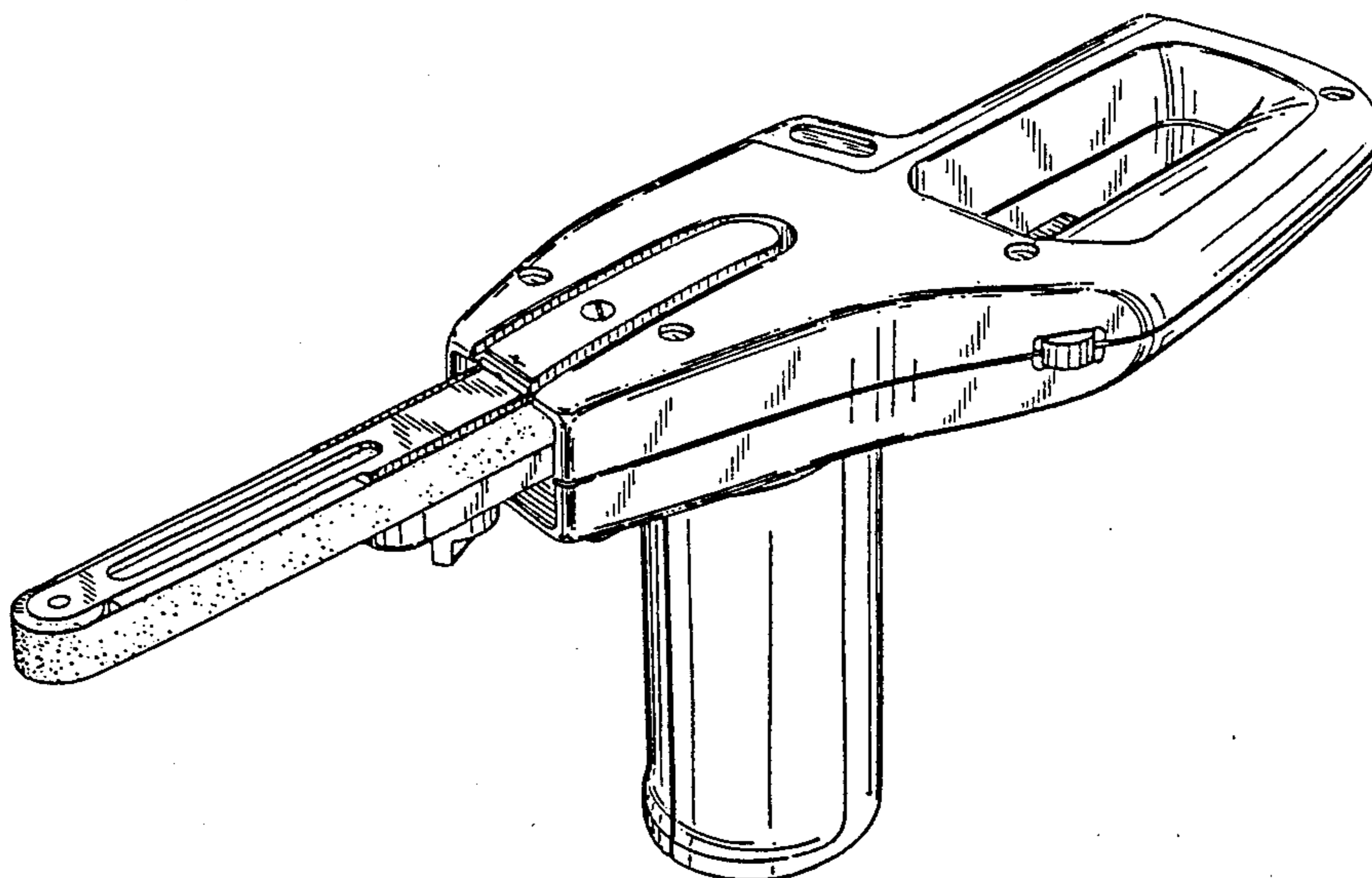
*Primary Examiner*—Bruce W. Dunkins  
*Assistant Examiner*—Clare E. Heflin  
*Attorney, Agent, or Firm*—Edward D. Murphy; Dennis Dearing; Edward D. C. Bartlett

[57] **CLAIM**

The ornamental design for a power file, as shown.

**DESCRIPTION**

FIG. 1 is a front perspective view of the power file showing my new design;  
FIG. 2 is a side elevational view thereof;  
FIG. 3 is an opposite side elevational view thereof;  
FIG. 4 is a top plan view thereof;  
FIG. 5 is a front elevational view thereof;  
FIG. 6 is a bottom plan view thereof;  
FIG. 7 is a rear elevational view thereof.



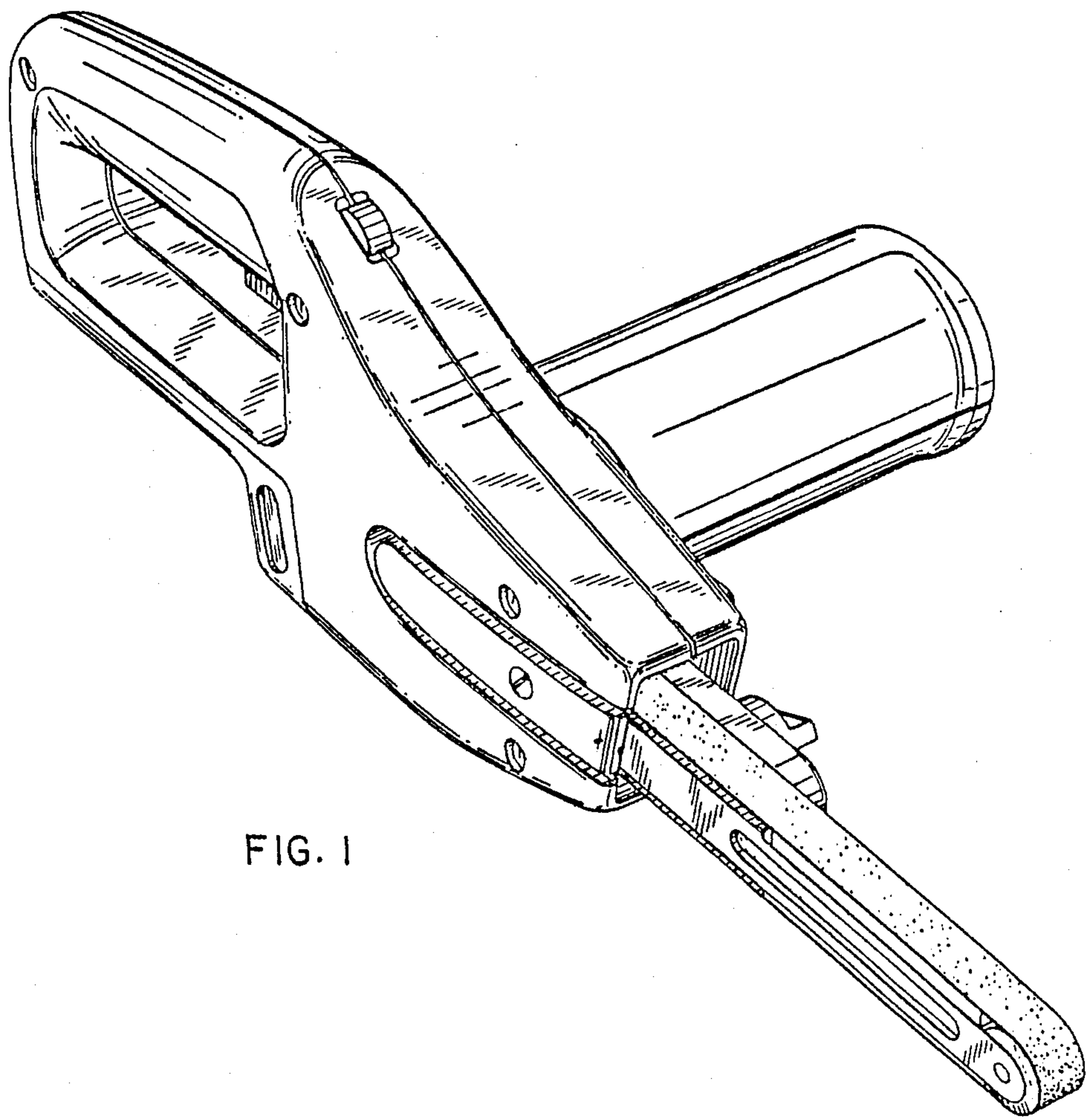
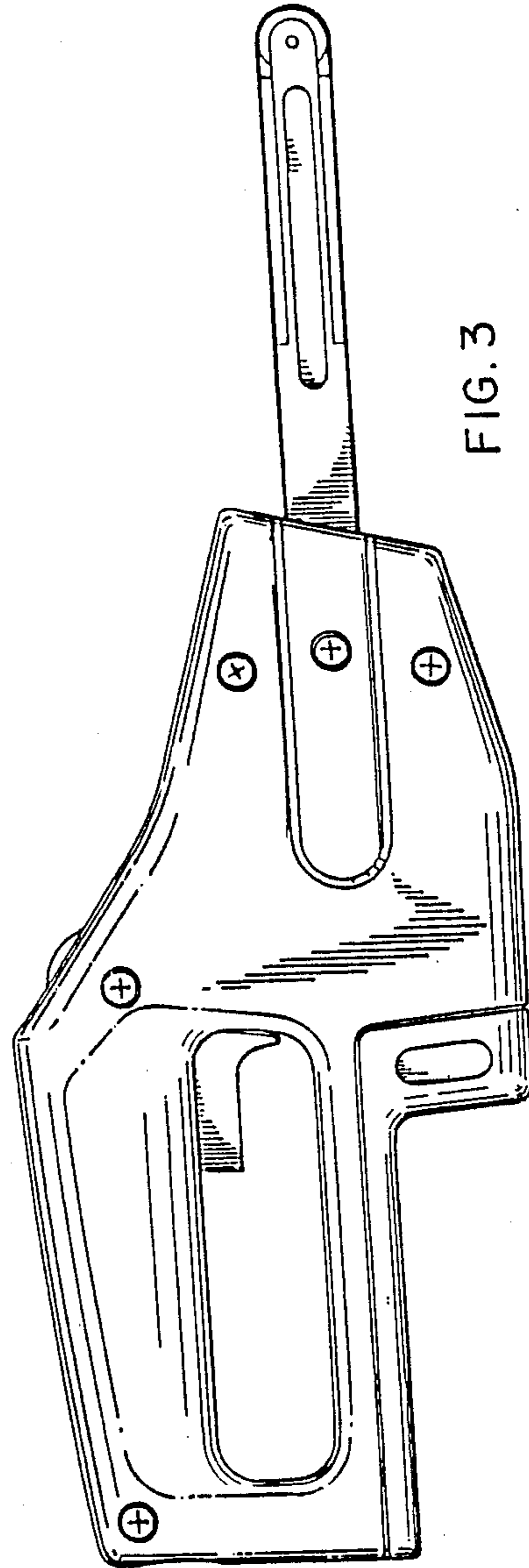
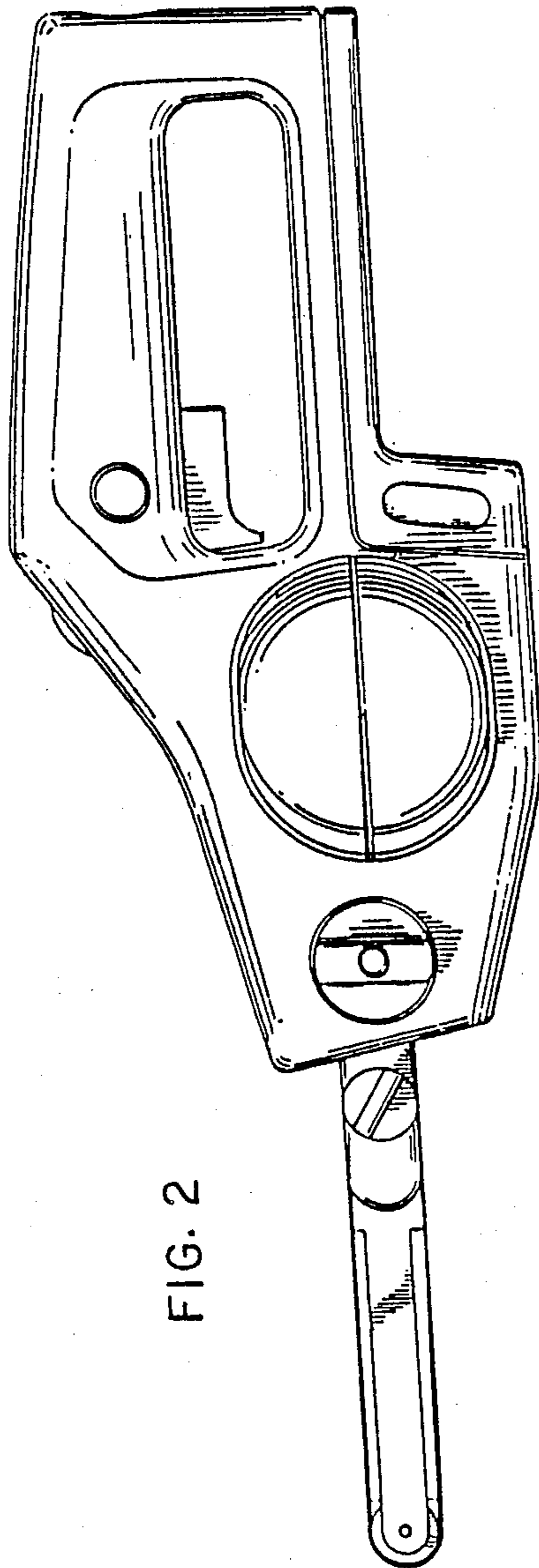


FIG. 1



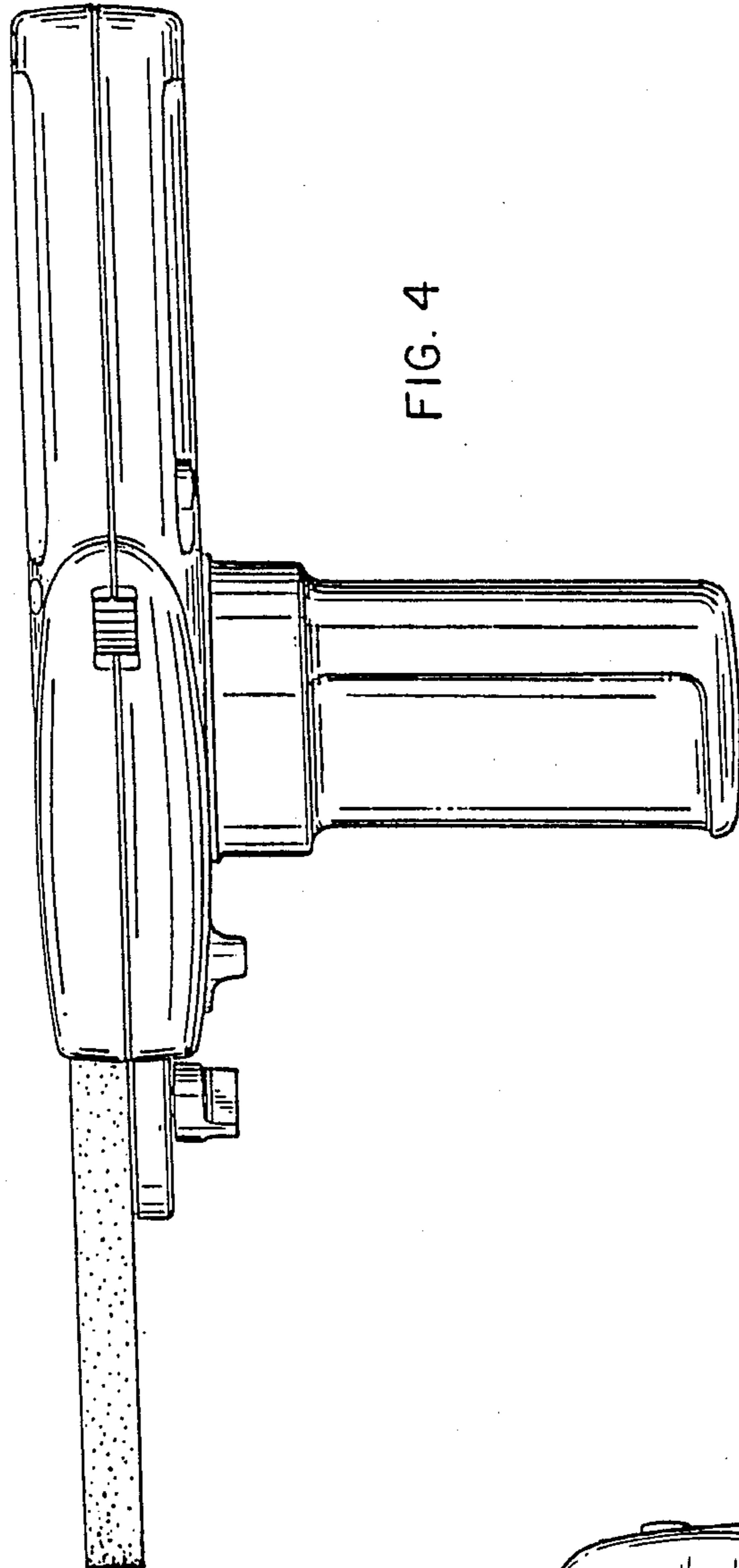


FIG. 4

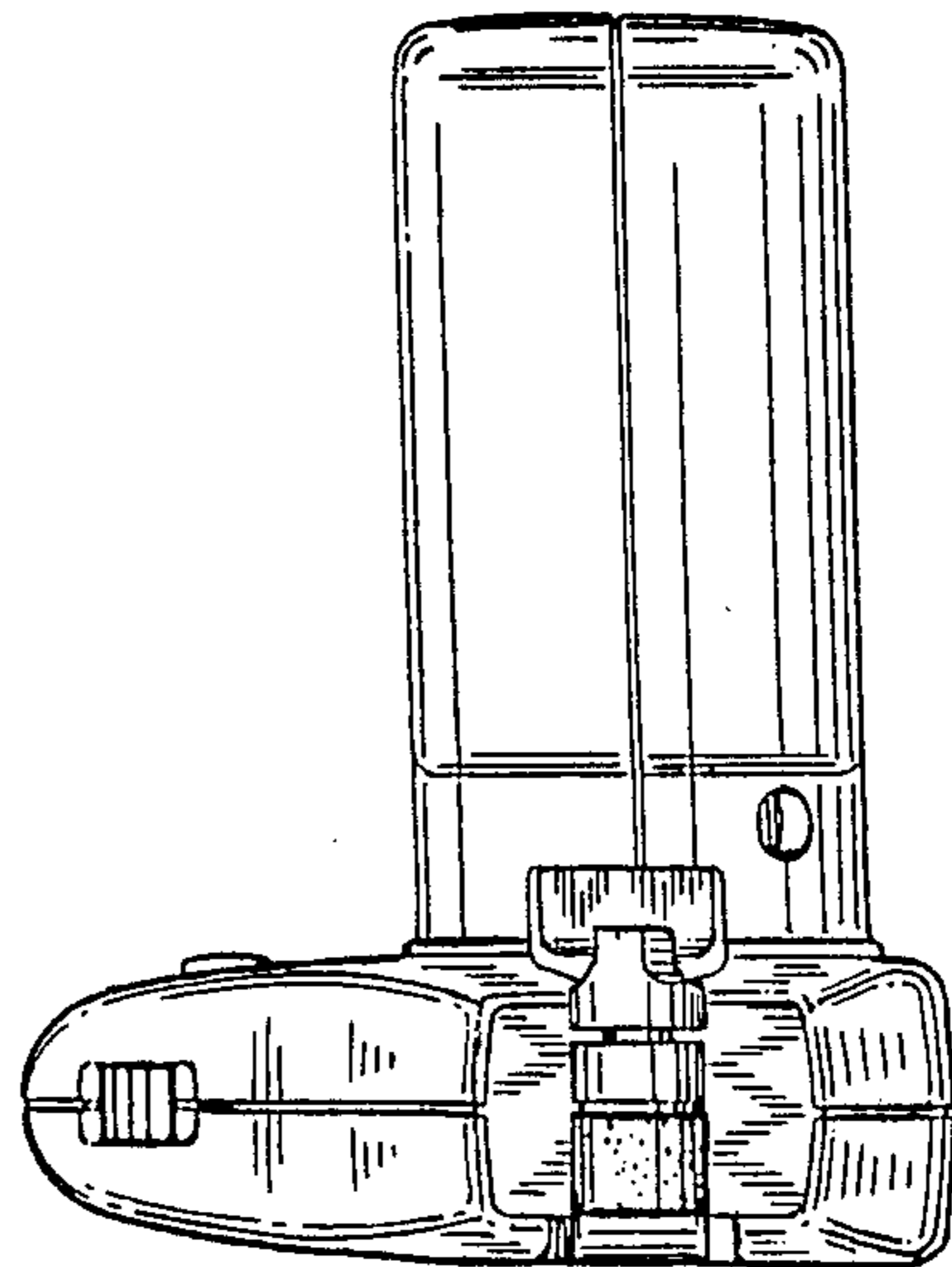


FIG. 5

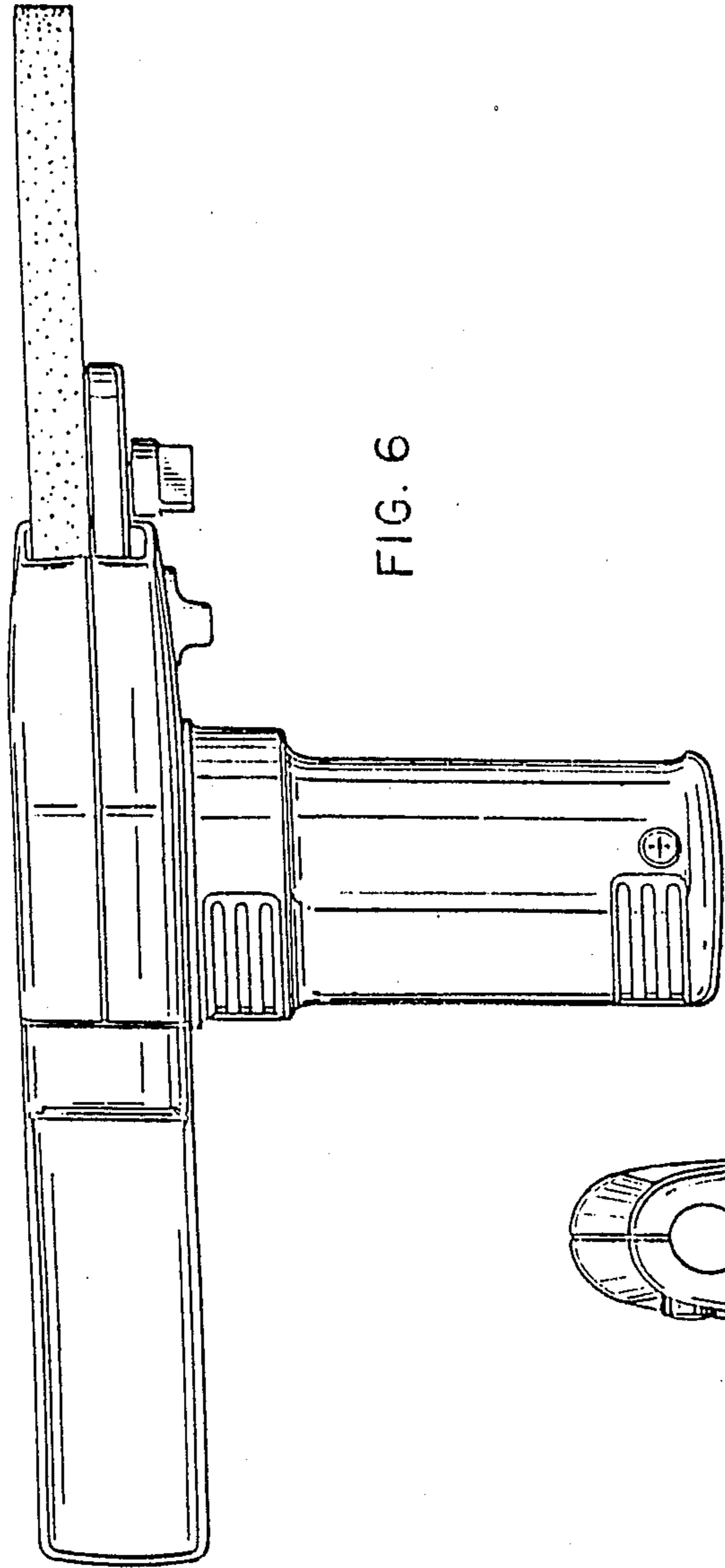


FIG. 6

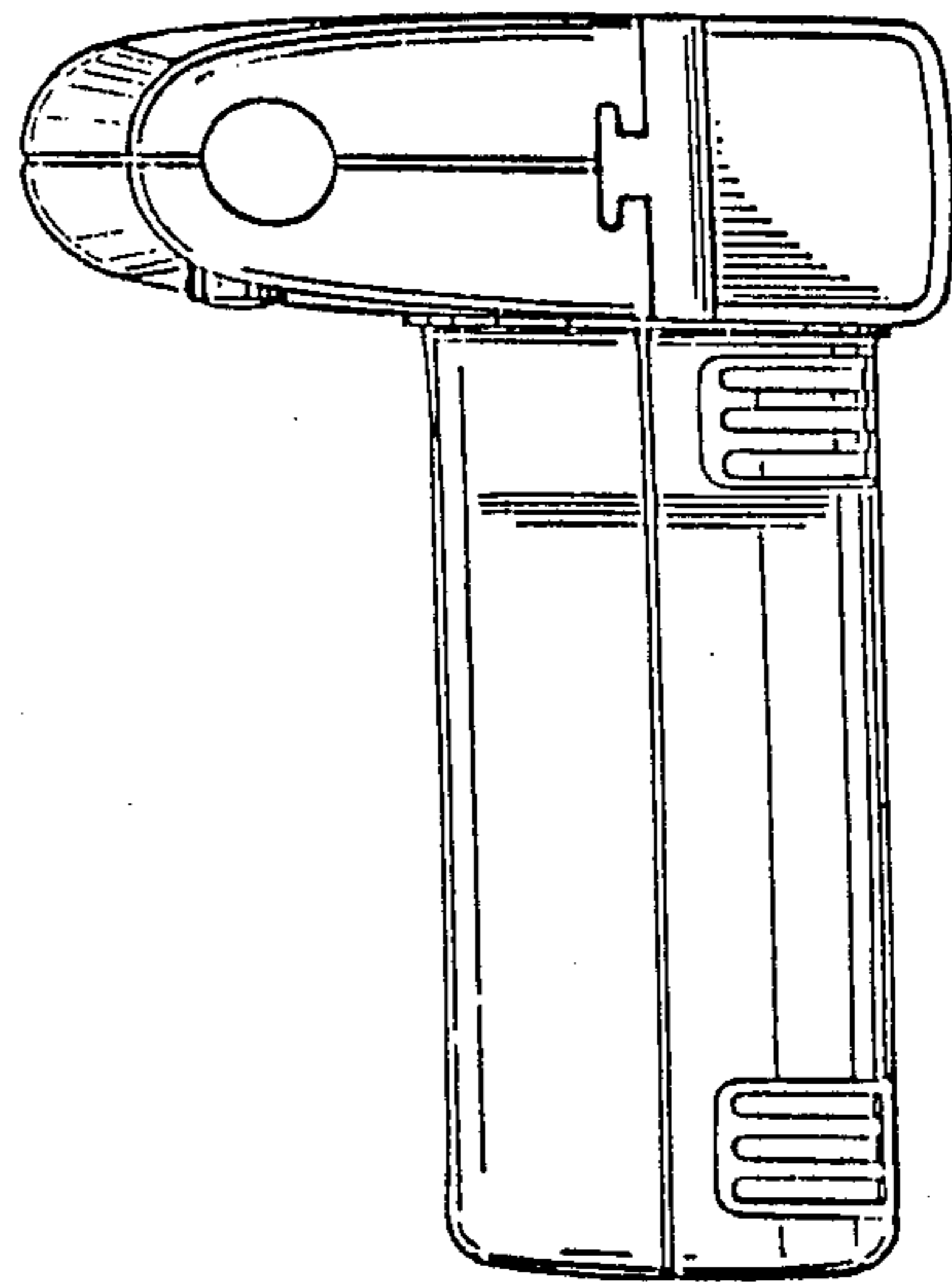


FIG. 7