

[54] **EXTENDING ATTACHMENT FOR TORQUE-APPLYING HAND TOOLS OR THE LIKE**

[76] **Inventor: Kenneth F. Ball, 570 Scioto St., Urbana, Ohio 43078**

[**] **Term: 14 Years**

[21] **Appl. No.: 901,170**

[22] **Filed: Aug. 27, 1986**

[52] **U.S. Cl. D8/24; D8/14; D8/29; D8/71**

[58] **Field of Search D8/14, 21-29, D8/71, 107, 105; 81/119, 121.1, 124.2, 177.2, 184, 488**

[56] **References Cited**

U.S. PATENT DOCUMENTS

174,486	3/1876	Collingsworth	81/124.2
2,895,362	7/1959	Jamgotchian	81/119
2,985,208	5/1961	Hibbard et al.	81/184
4,096,621	6/1978	Berger et al.	81/124.2
4,738,167	4/1988	Ball	81/124.2

Primary Examiner—Bruce W. Dunkins
Assistant Examiner—Clare E. Heflin
Attorney, Agent, or Firm—Becker & Becker, Inc.

[57] **CLAIM**

The ornamental design for an extending attachment for

torque-applying hand tools or the like, as shown and described.

DESCRIPTION

FIG. 1 is a perspective view of an extending attachment for torque-applying hand tools or the like showing a first embodiment of my new design;
 FIG. 2 is an enlarged top plan view thereof;
 FIG. 3 is an enlarged side elevational view thereof, the opposite side being a mirror image;
 FIG. 4 is an enlarged bottom plan view thereof;
 FIG. 5 is an enlarged front elevational view thereof, the rear view being identical;
 FIG. 6 is an enlarged perspective view thereof showing the variable-size top insert, for facilitating use with "channel-lock" pliers, in broken lines for illustrative purposes only;
 FIG. 7 is a perspective view of an extending attachment for torque-applying hand tools or the like showing a second embodiment of my new design;
 FIG. 8 is an enlarged top plan view thereof;
 FIG. 9 is an enlarged side elevational view thereof, the opposite side being identical;
 FIG. 10 is an enlarged bottom plan view thereof;
 FIG. 11 is an enlarged front elevational view thereof, the rear view being identical; and
 FIG. 12 is an enlarged perspective view thereof showing the variable-size top insert for facilitating use with "channel-lock" pliers in broken lines for illustrative purposes only.
 The wrenches and top insert in FIGS. 1 and 6 are shown in broken lines for illustrative purposes only and form no part of the claimed design.

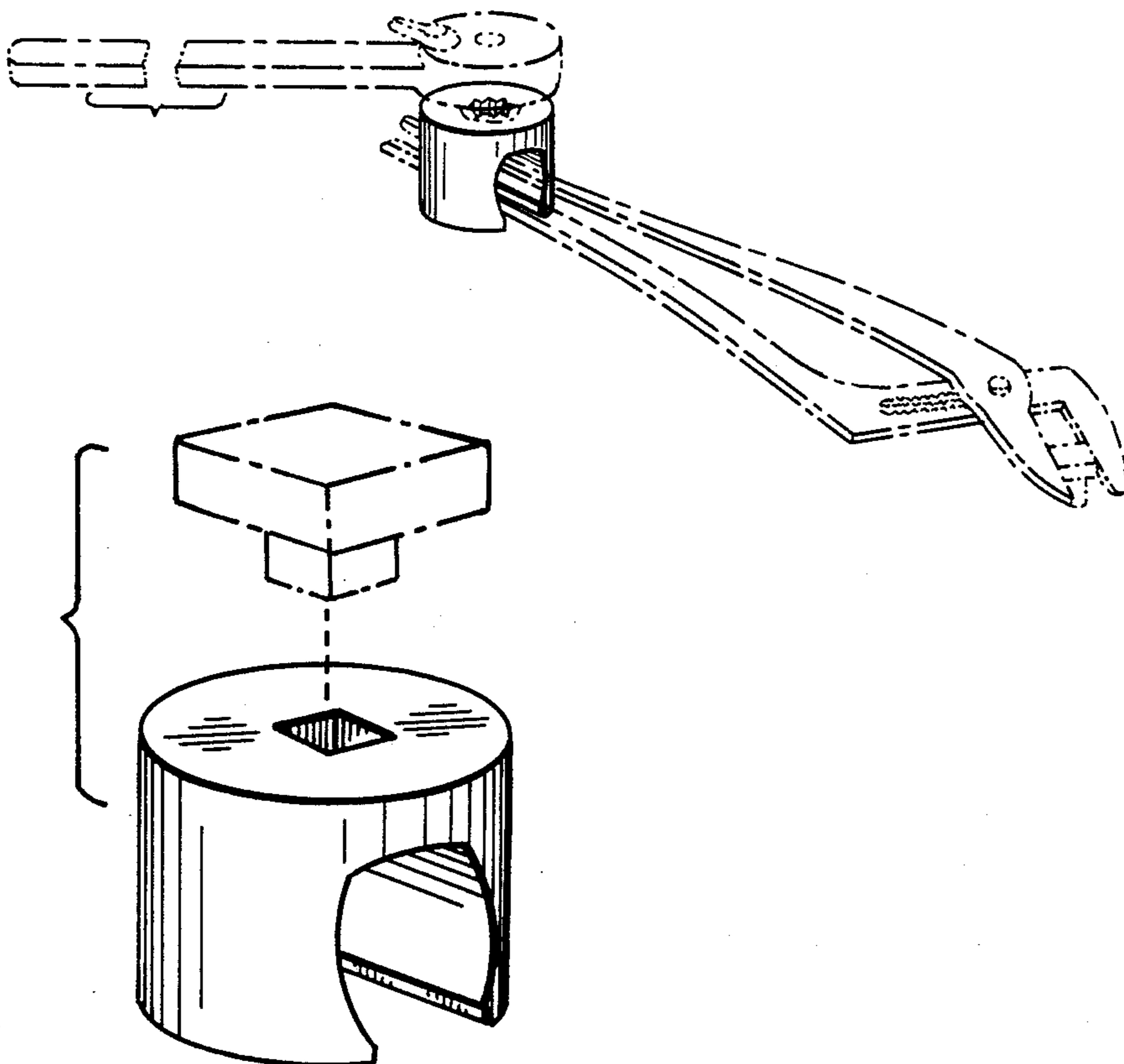


FIG. 1

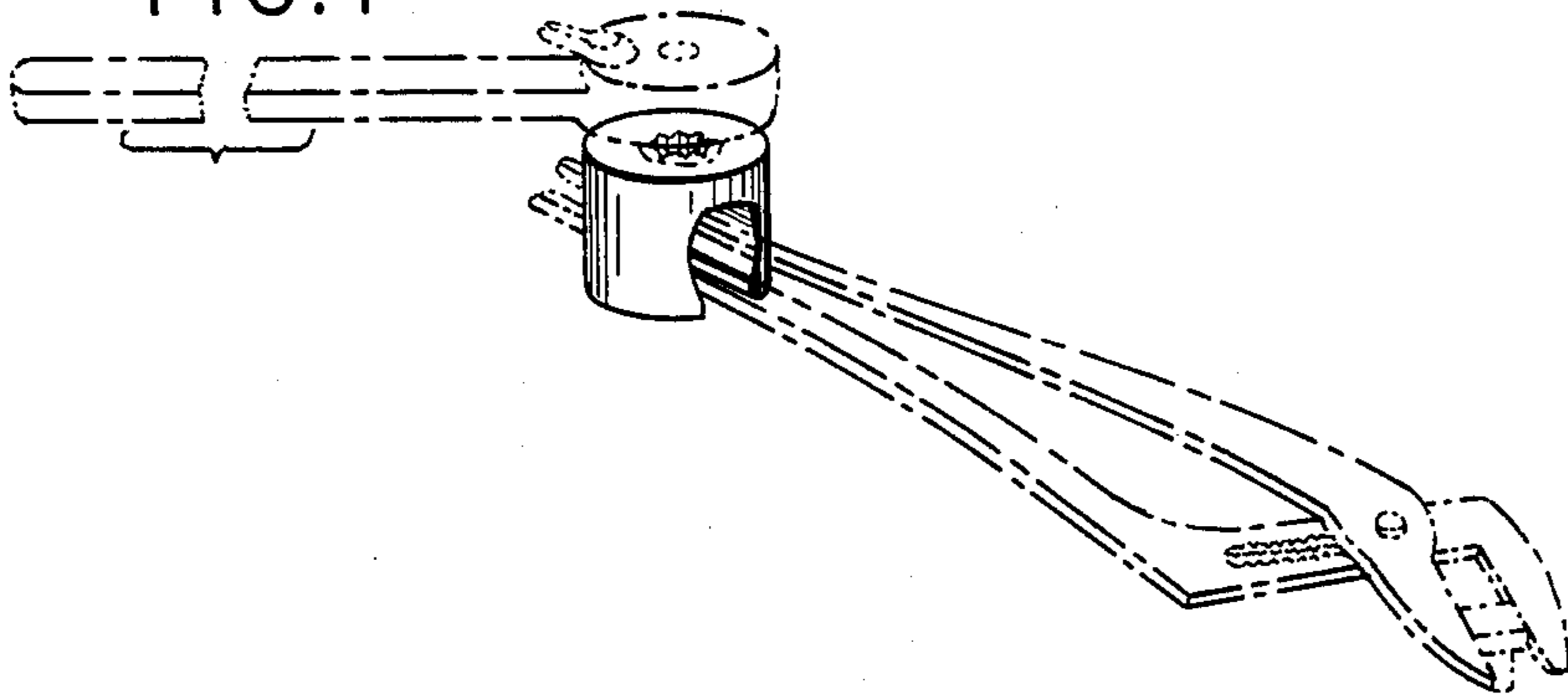


FIG. 2

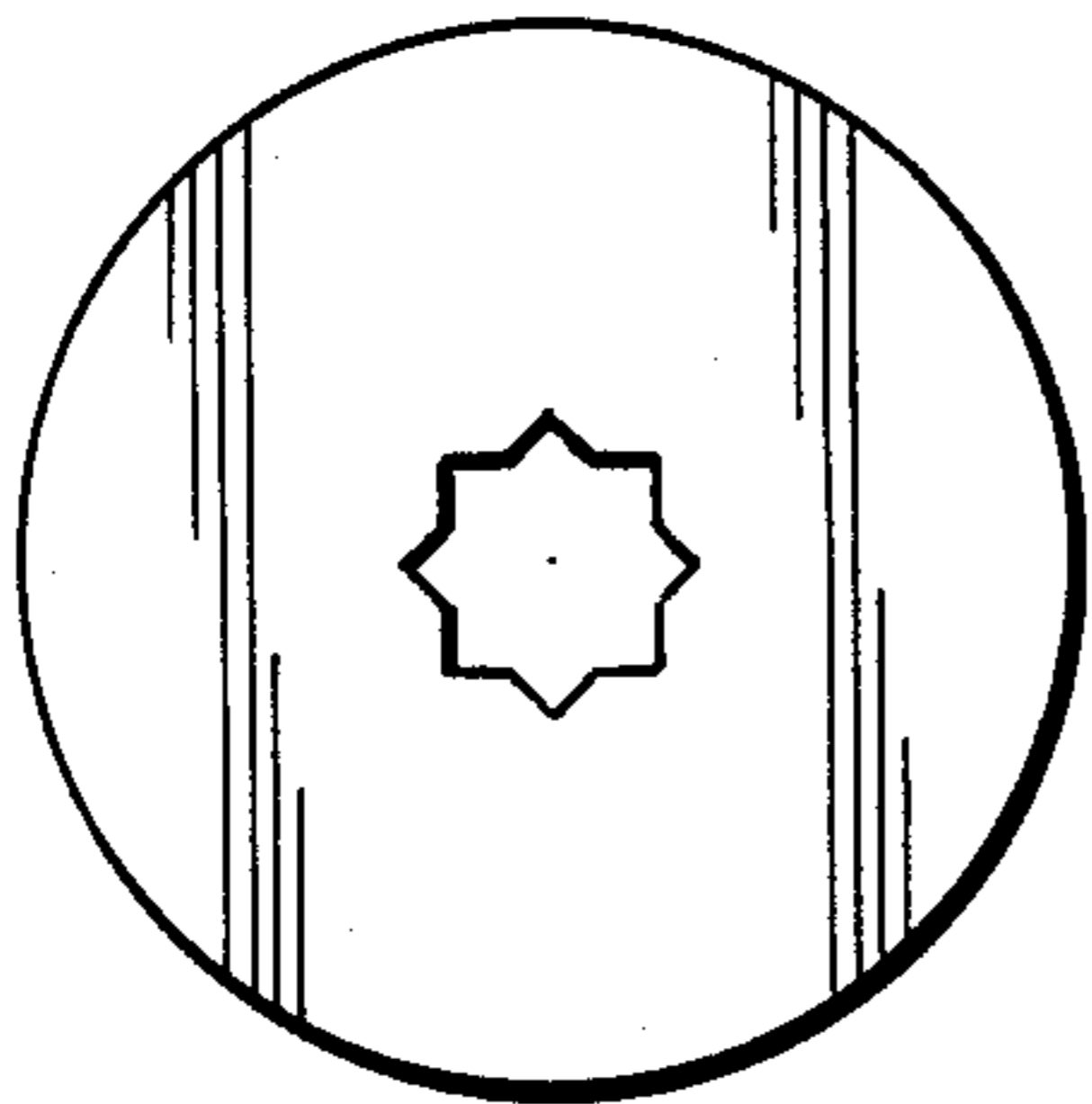


FIG. 3

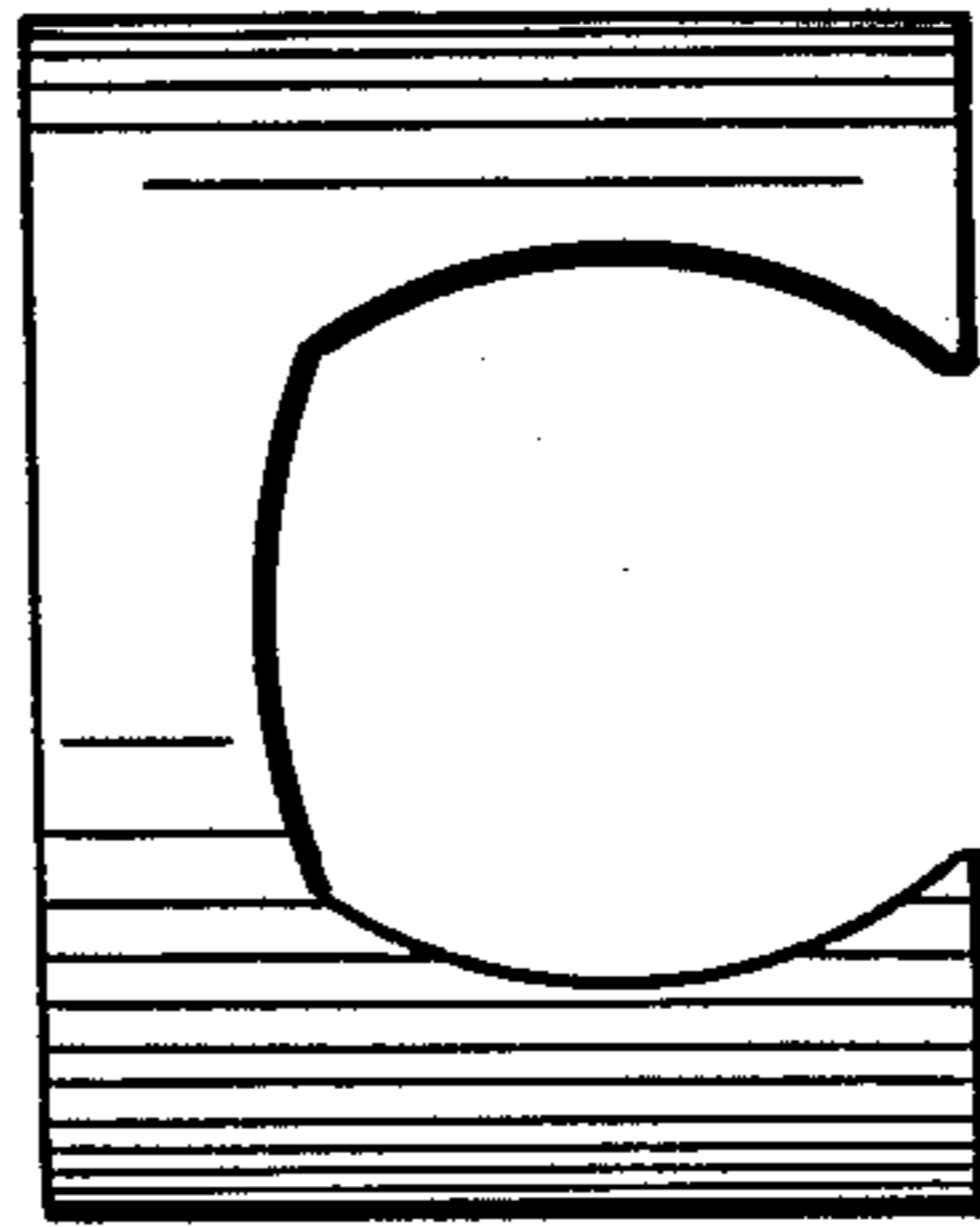


FIG. 4

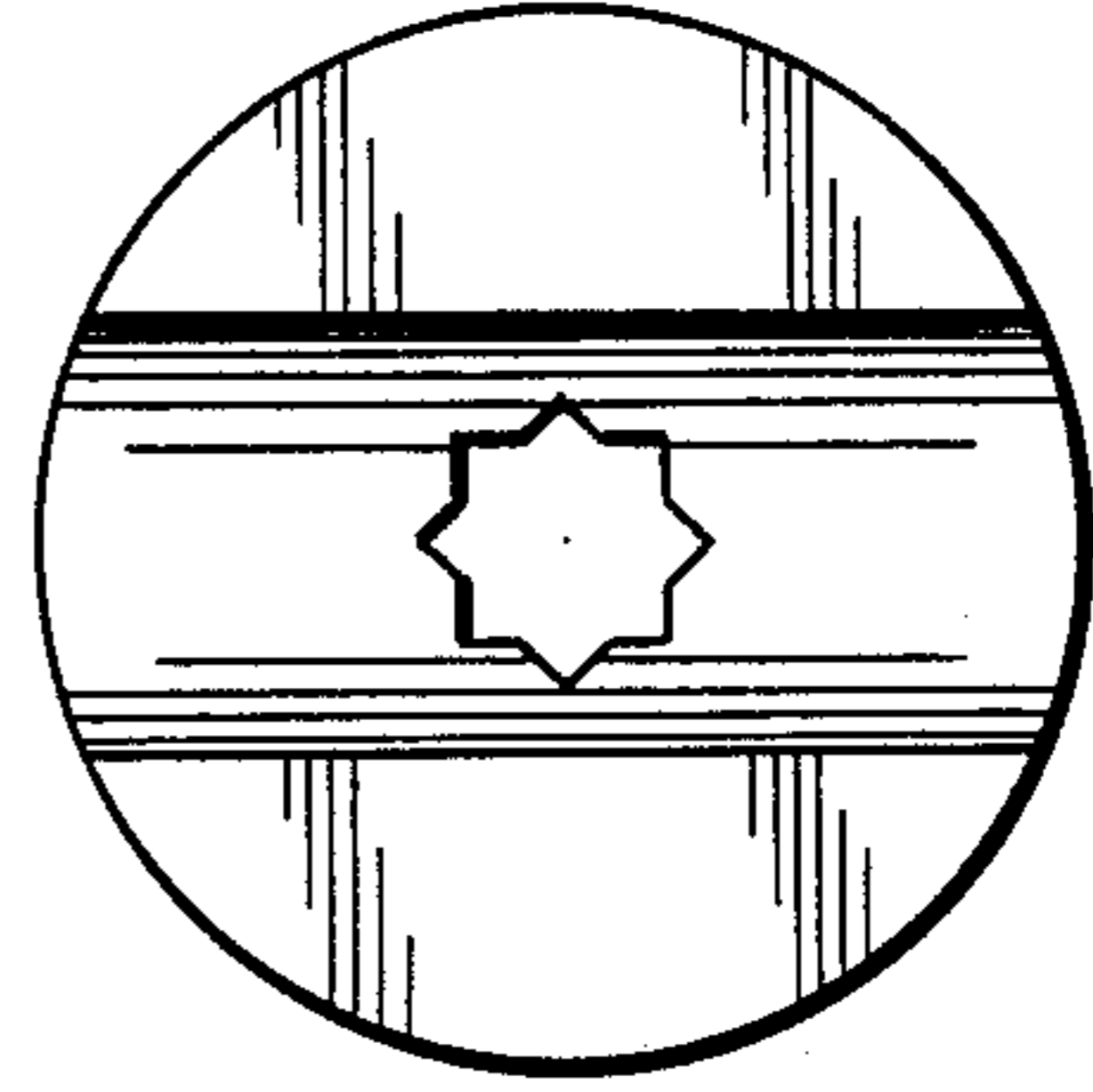


FIG. 5

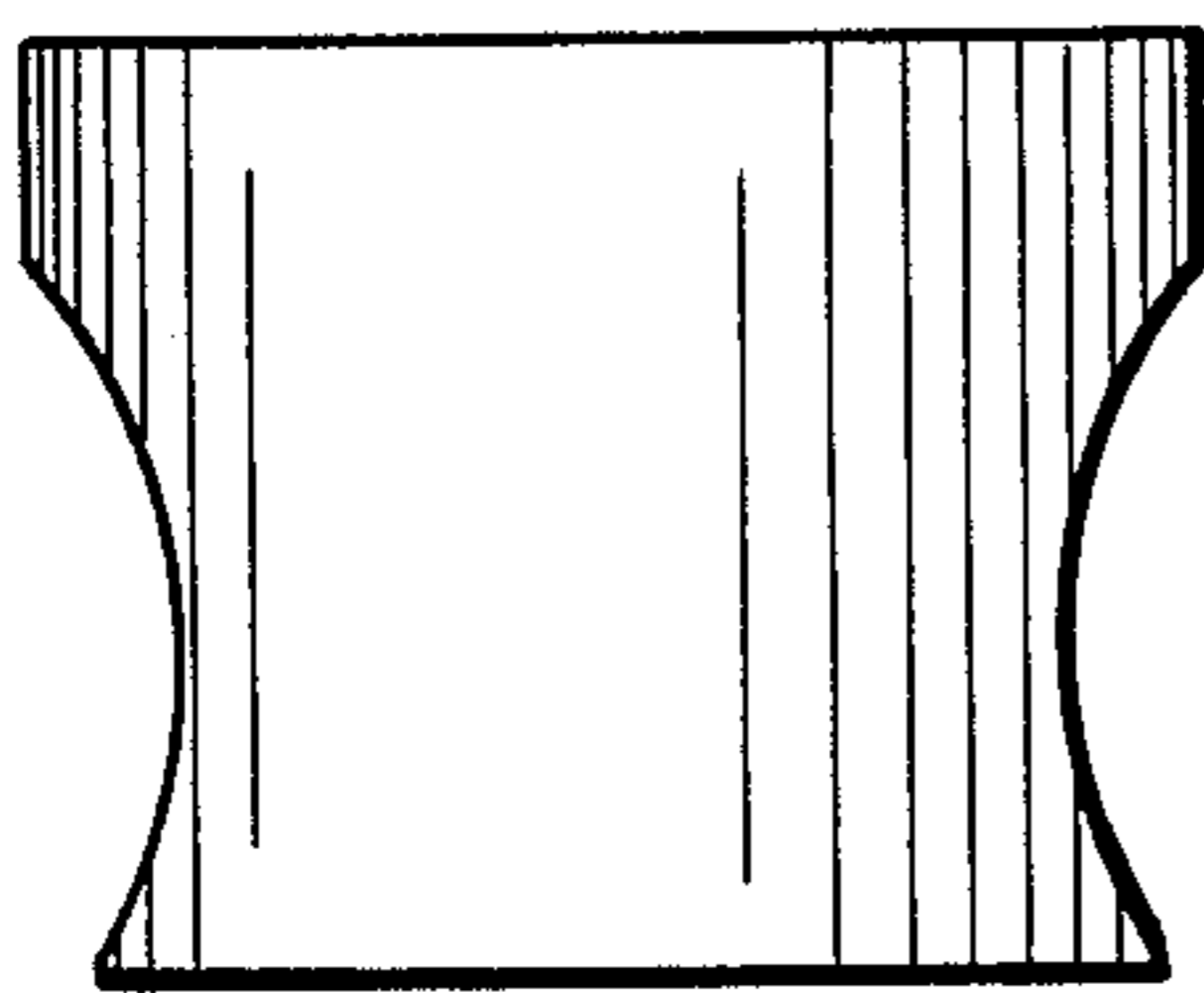


FIG. 6

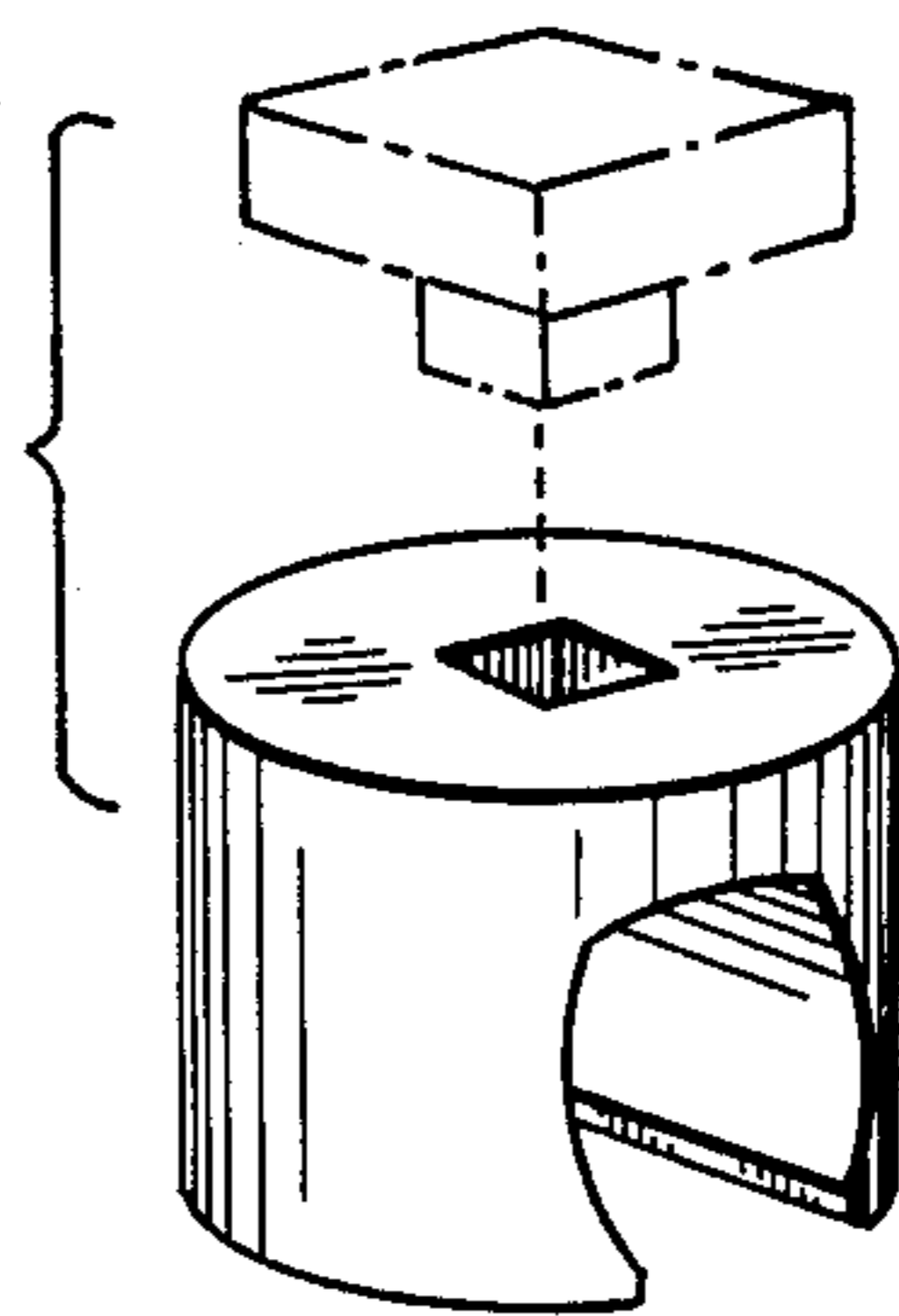


FIG. 7

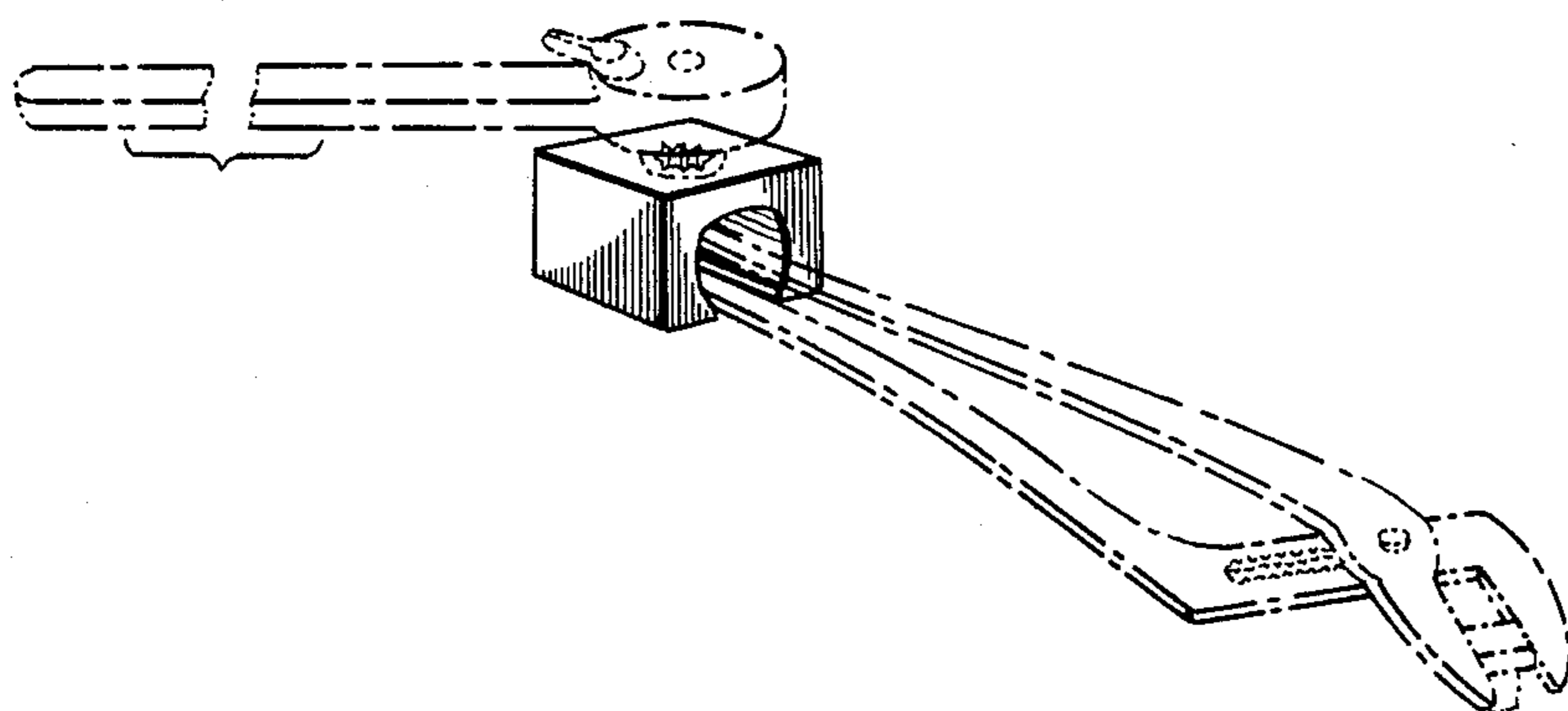


FIG. 8

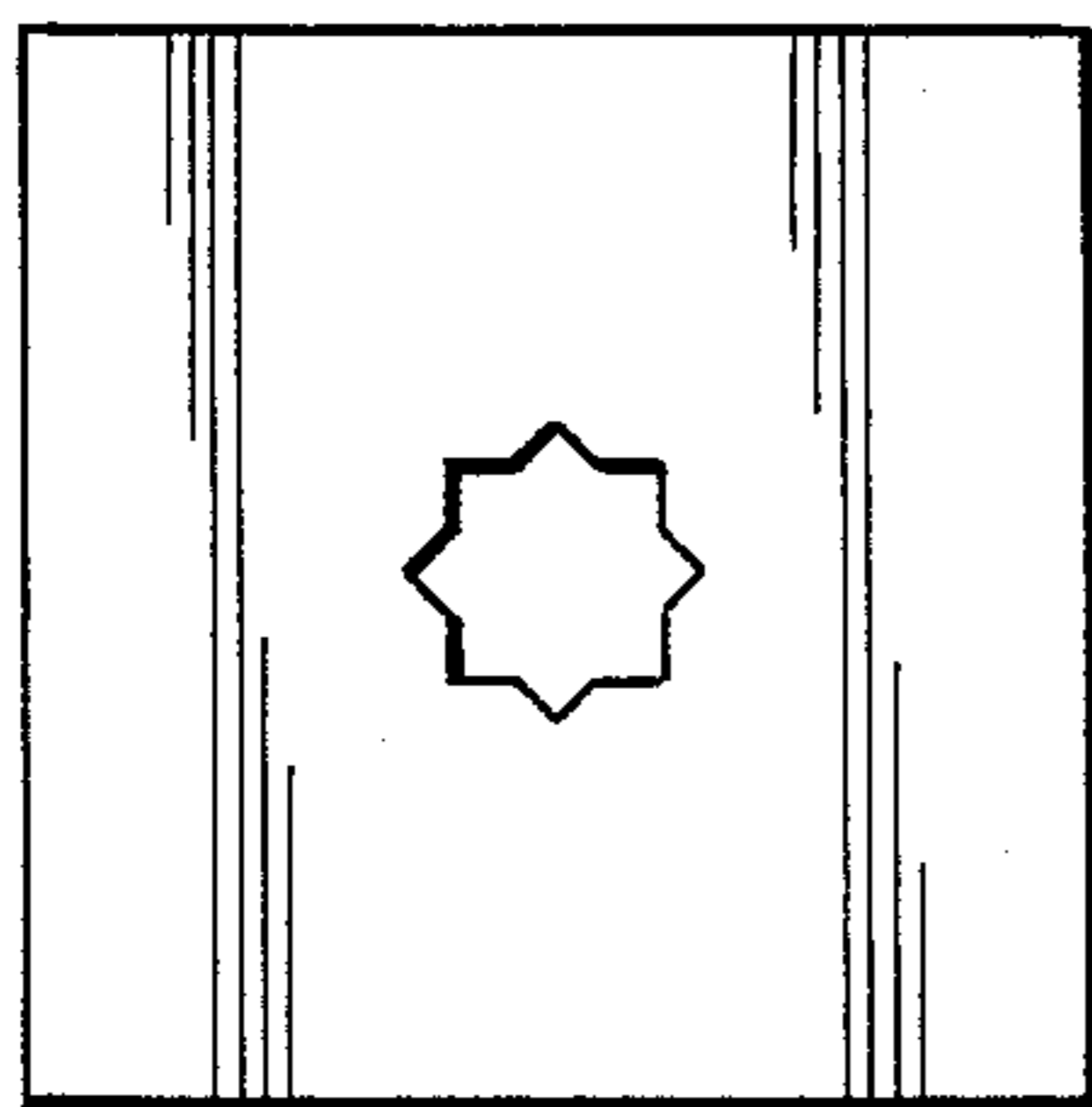


FIG. 9

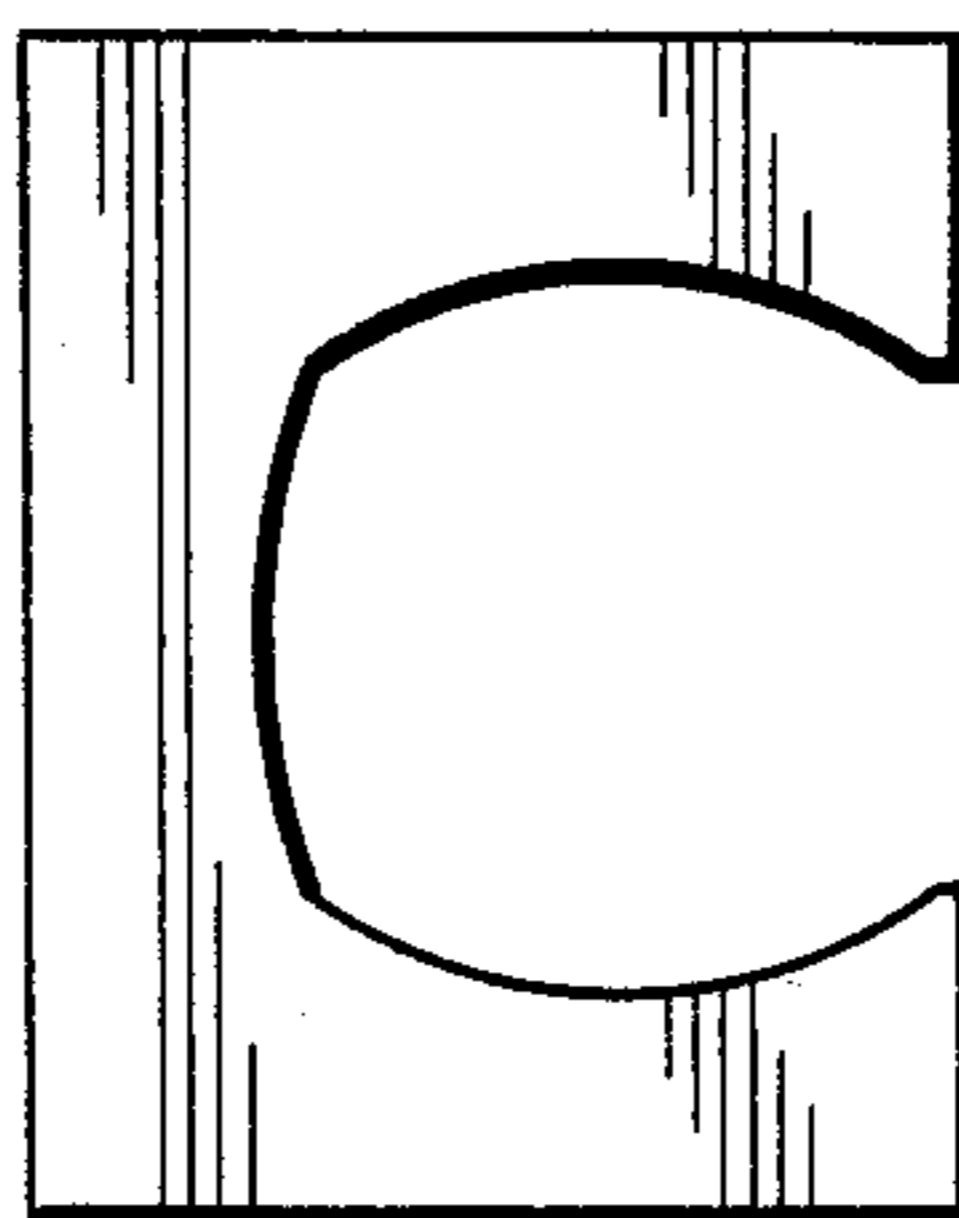


FIG. 10

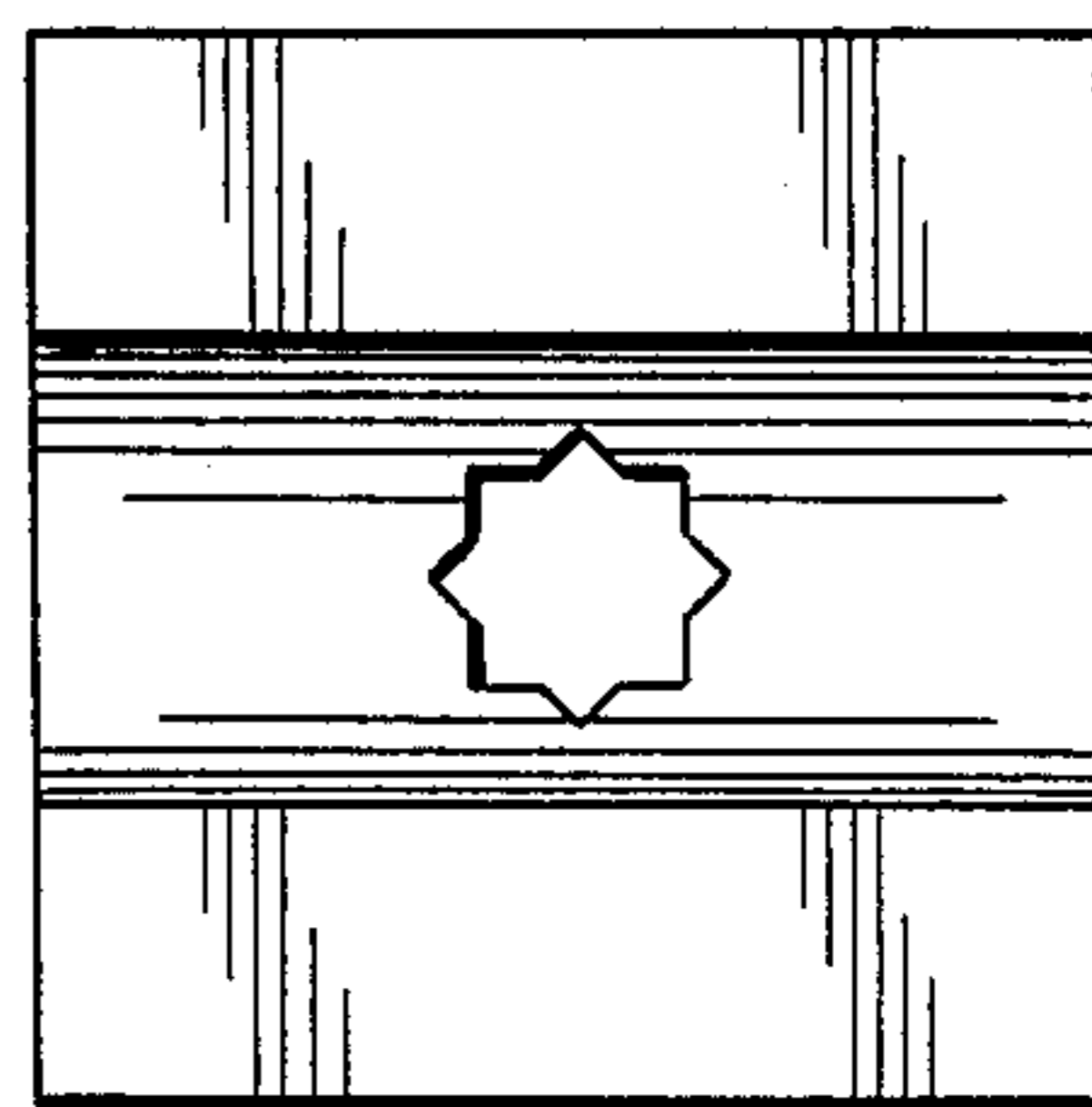


FIG. 11

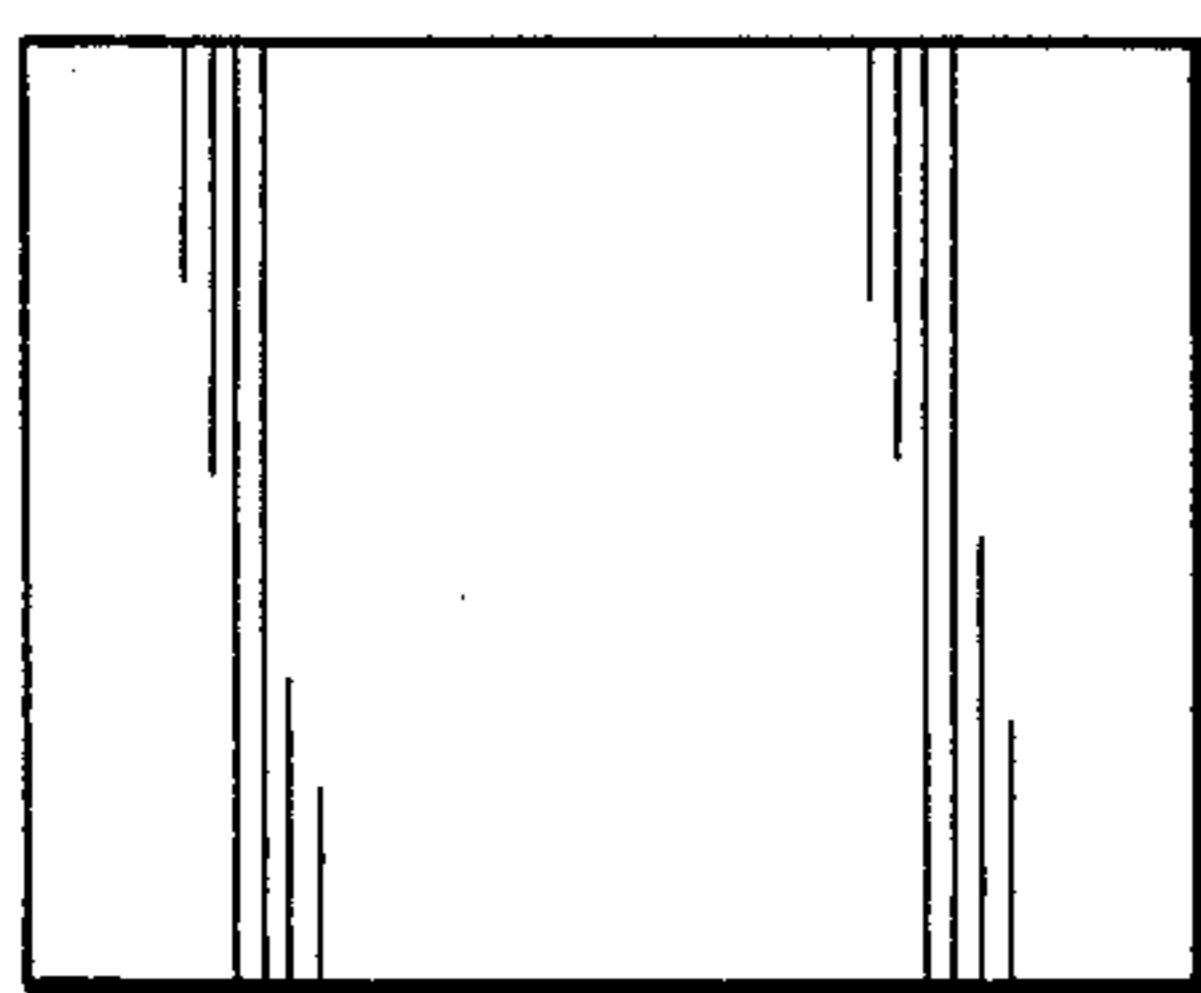


FIG. 12

