

United States Patent [19]

Stenström

[11] Patent Number: **Des. 301,960**

[45] Date of Patent: **** Jul. 4, 1989**

[54] **PROCESSING PLANT FOR PREPARATION OF FOOD AND PHARMACEUTICAL PRODUCTS**

[76] Inventor: **Lennart Stenström, Daggstigen 22, 141 38 Huddinge, Sweden**

[**] Term: **14 Years**

[21] Appl. No.: **766,700**

[22] Filed: **Aug. 19, 1985**

[30] **Foreign Application Priority Data**

Feb. 18, 1985 [SE] Sweden 85-0387

[52] U.S. Cl. **D7/368**

[58] Field of Search 99/470, 472, 367, 443 R, 99/443 C, 536; 422/292, 299, 300, 304, 310-311; D7/323, 338, 339, 368

[56] **References Cited**

U.S. PATENT DOCUMENTS

2,771,645 11/1956 Martin 422/304

3,604,319	9/1971	Hirahara	99/470
3,961,569	6/1976	Kenyon et al.	99/470
4,026,203	5/1977	Levati	99/472
4,385,035	5/1983	Akitoshi et al.	422/304

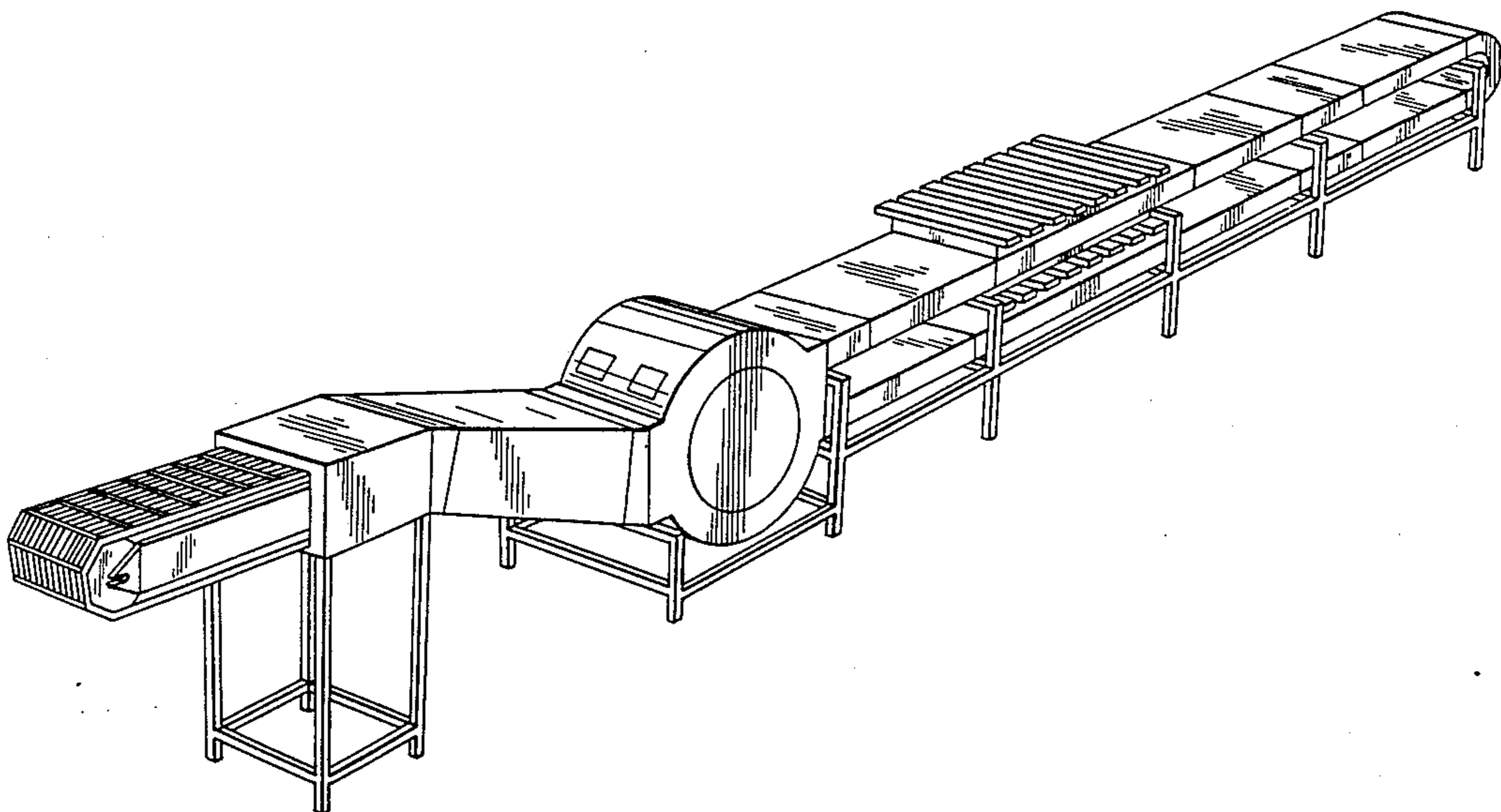
Primary Examiner—Bruce W. Dunkins
Assistant Examiner—Ruth Takemoto
Attorney, Agent, or Firm—Wegner & Bretschneider

[57] **CLAIM**

The ornamental design for a processing plant for preparation of food and pharmaceutical products, as shown and described.

DESCRIPTION

FIG. 1 is a perspective view of a processing plant for preparation of food and pharmaceutical products showing my new design;
FIG. 2 is a left elevational view thereof;
FIG. 3 is a right end elevational view thereof;
FIG. 4 is a bottom plan view thereof; and
FIG. 5 is a top plan view thereof;
FIG. 6 is a front elevational view thereof; and
FIG. 7 is a rear elevational view thereof.



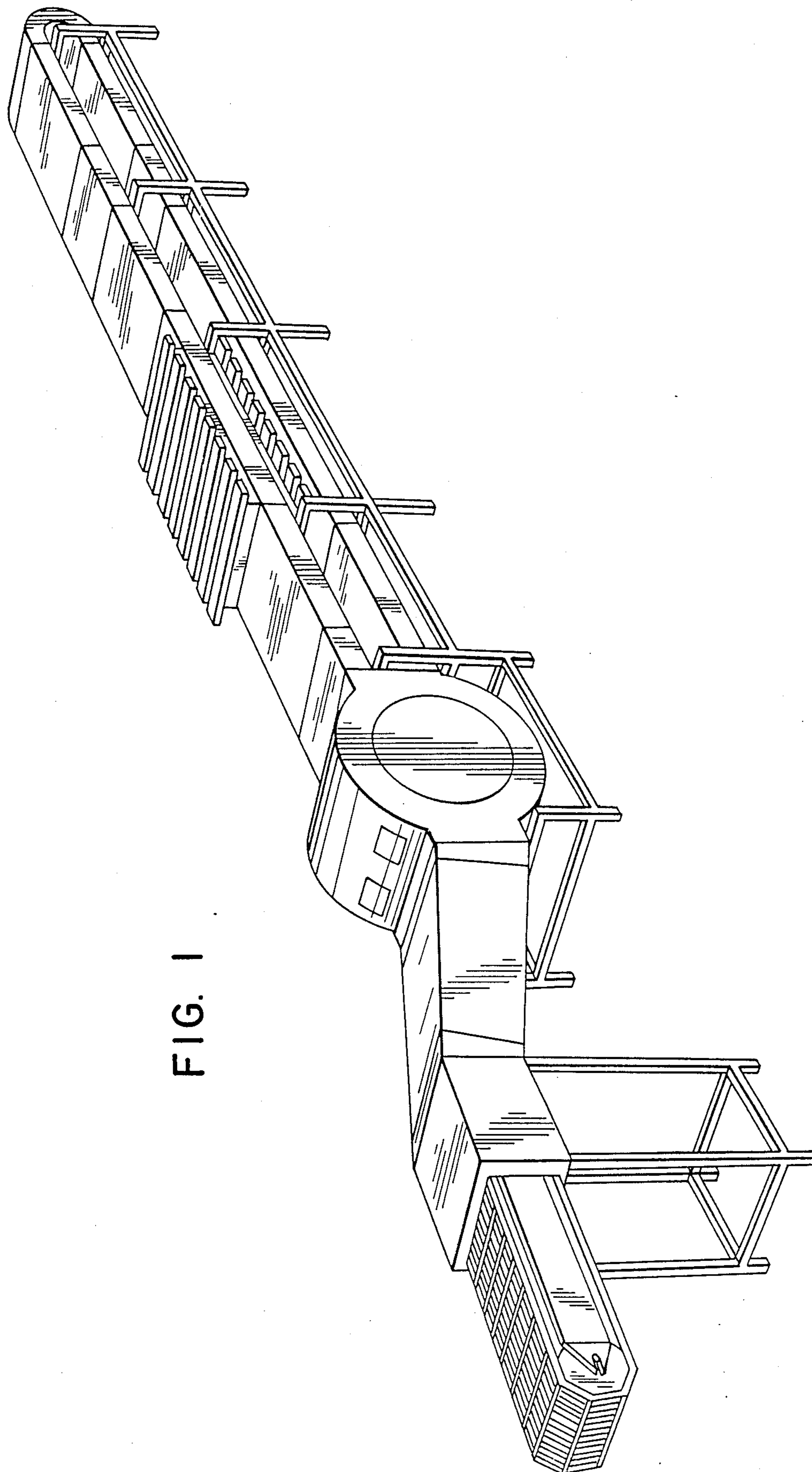


FIG. 1

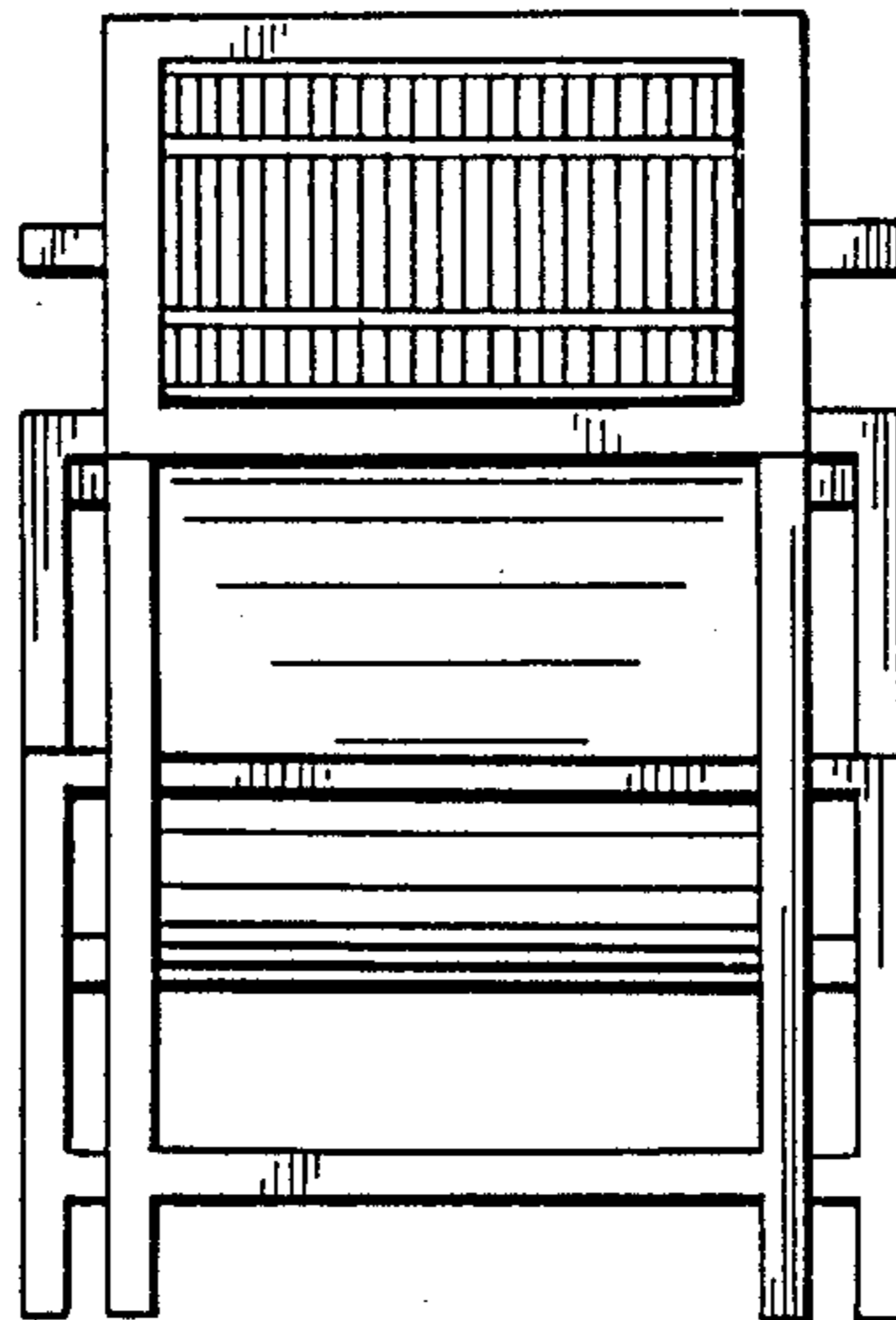


FIG. 2

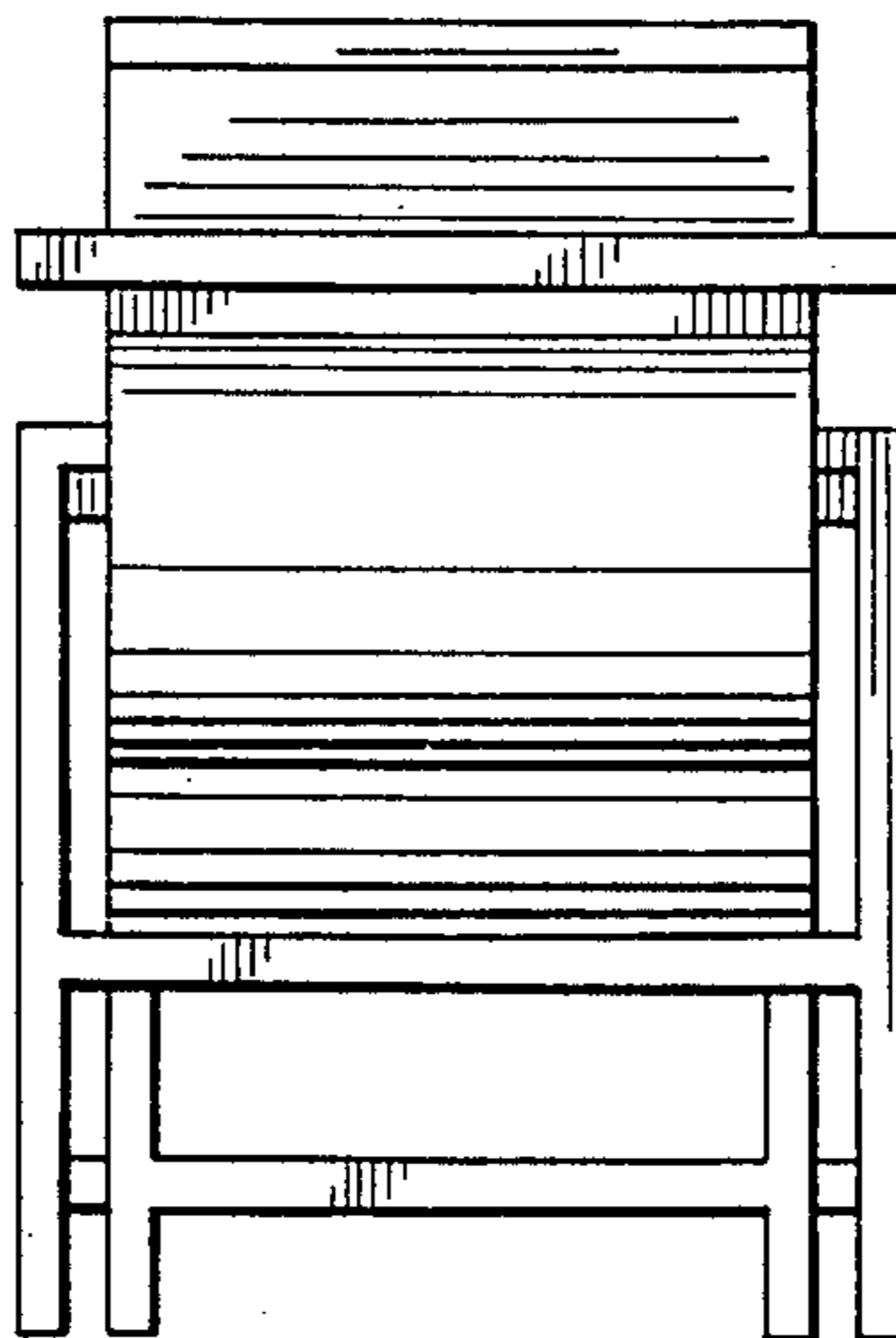


FIG. 3

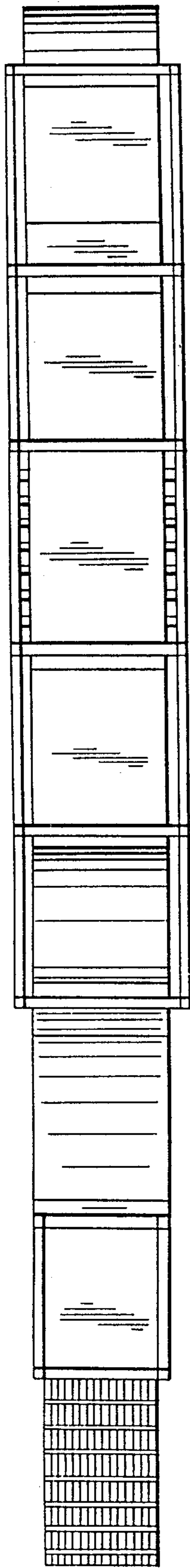


FIG. 4

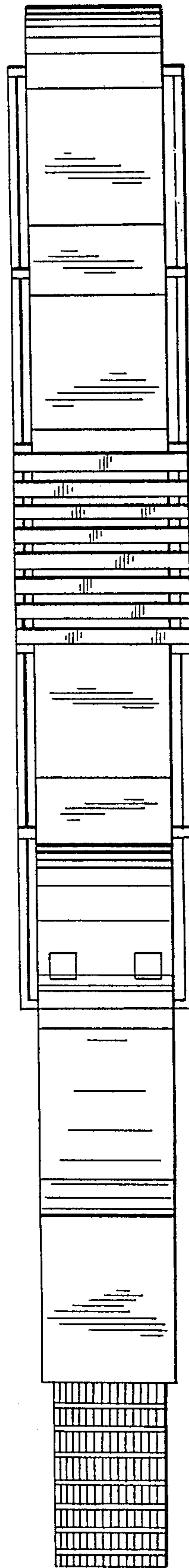


FIG. 5

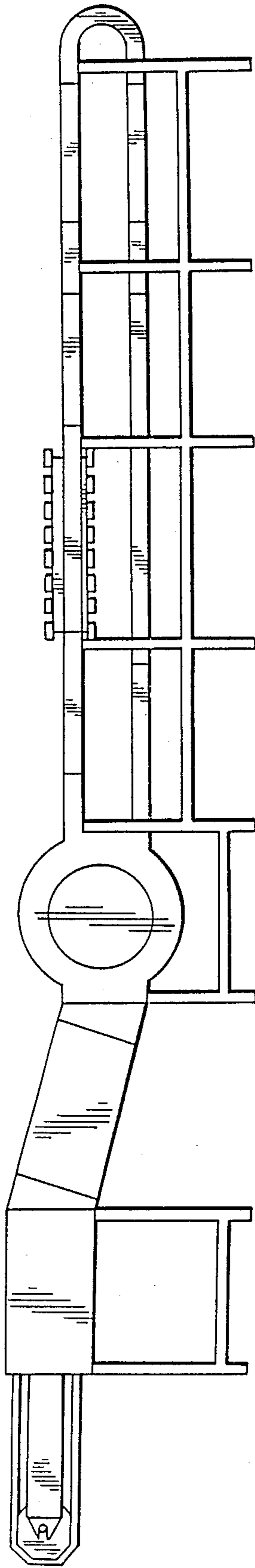


FIG. 6

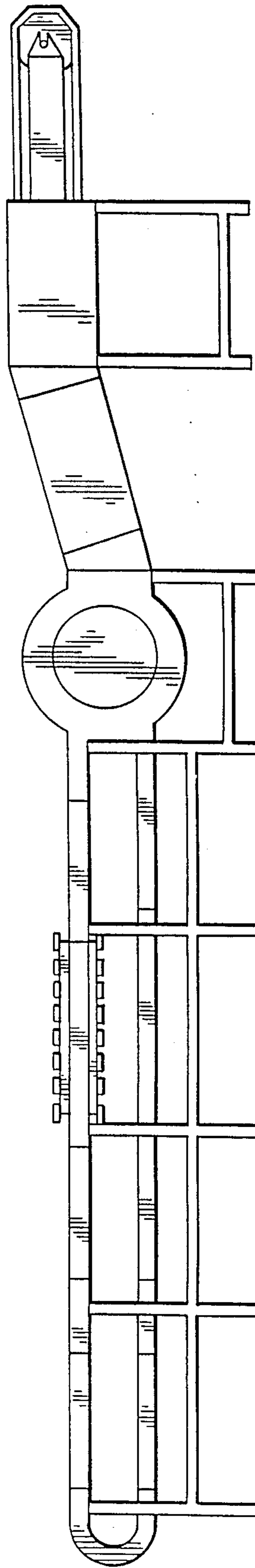


FIG. 7