

[54] **PEPPER MILL**

[75] **Inventor: Tom David, Nantucket Island, Mass.**

[73] **Assignee: Tom David Inc., Nantucket Island, Mass.**

[**] **Term: 14 Years**

[21] **Appl. No.: 858,493**

[22] **Filed: Apr. 30, 1986**

[52] **U.S. Cl. D7/52**

[58] **Field of Search D7/52-58;
222/142.1-142.9; 241/168, 169, 169.1**

[56] **References Cited**

U.S. PATENT DOCUMENTS

4,374,574 2/1983 David 241/169.1

Primary Examiner—Bernard Ansher
Assistant Examiner—Terry A. Pfeffer
Attorney, Agent, or Firm—Spencer & Frank

[57] **CLAIM**

The ornamental design for a pepper mill, as shown and described.

DESCRIPTION

FIG. 1 is a side elevational view of the pepper mill showing my new design.

FIG. 2 is a rear elevational view thereof.

FIG. 3 is a top plan view thereof.

FIG. 4 is a front elevational view thereof.

FIG. 5 is another side elevational view thereof.

FIG. 6 is a bottom plan view thereof.

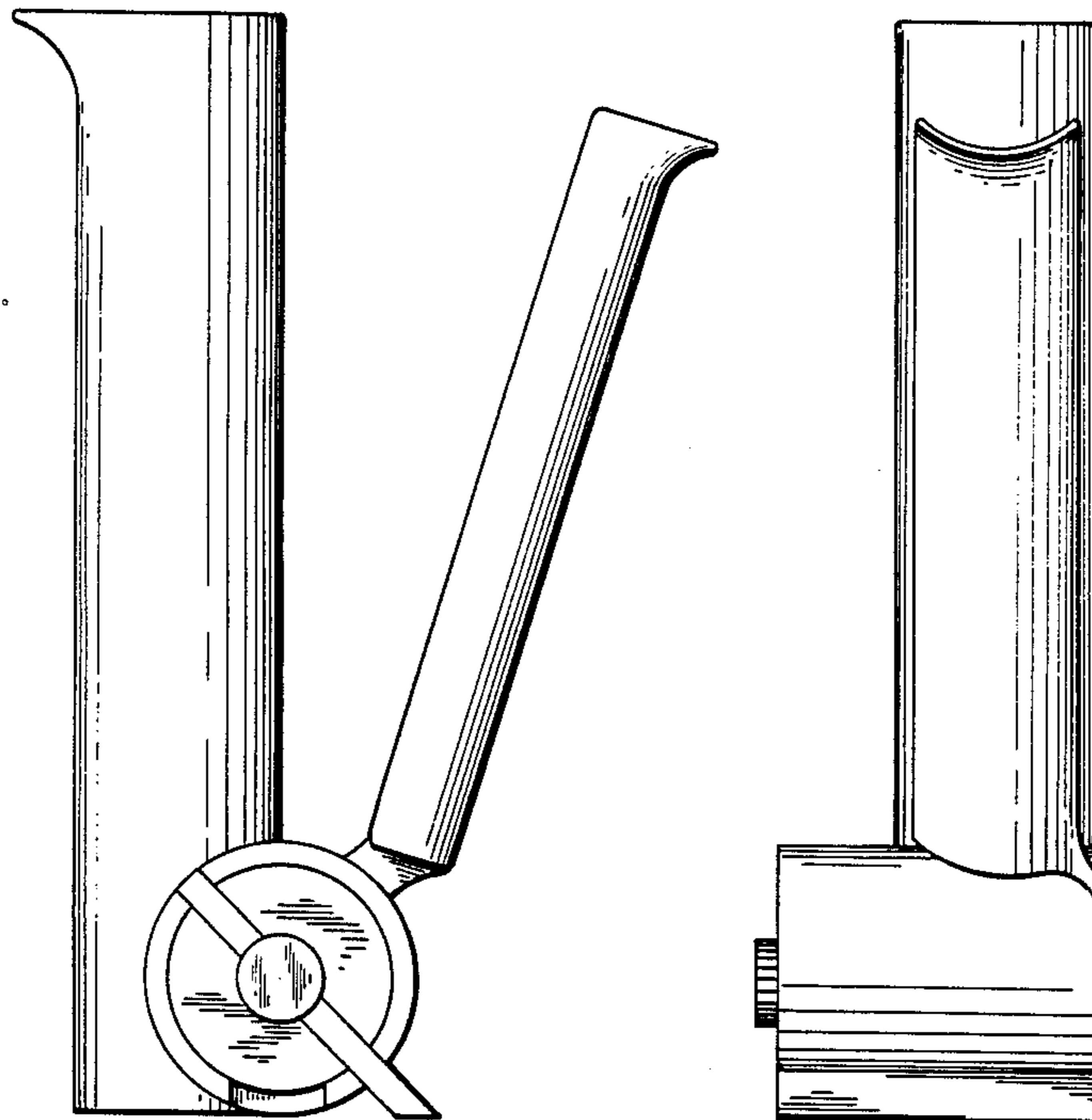


FIG. 1

FIG. 2

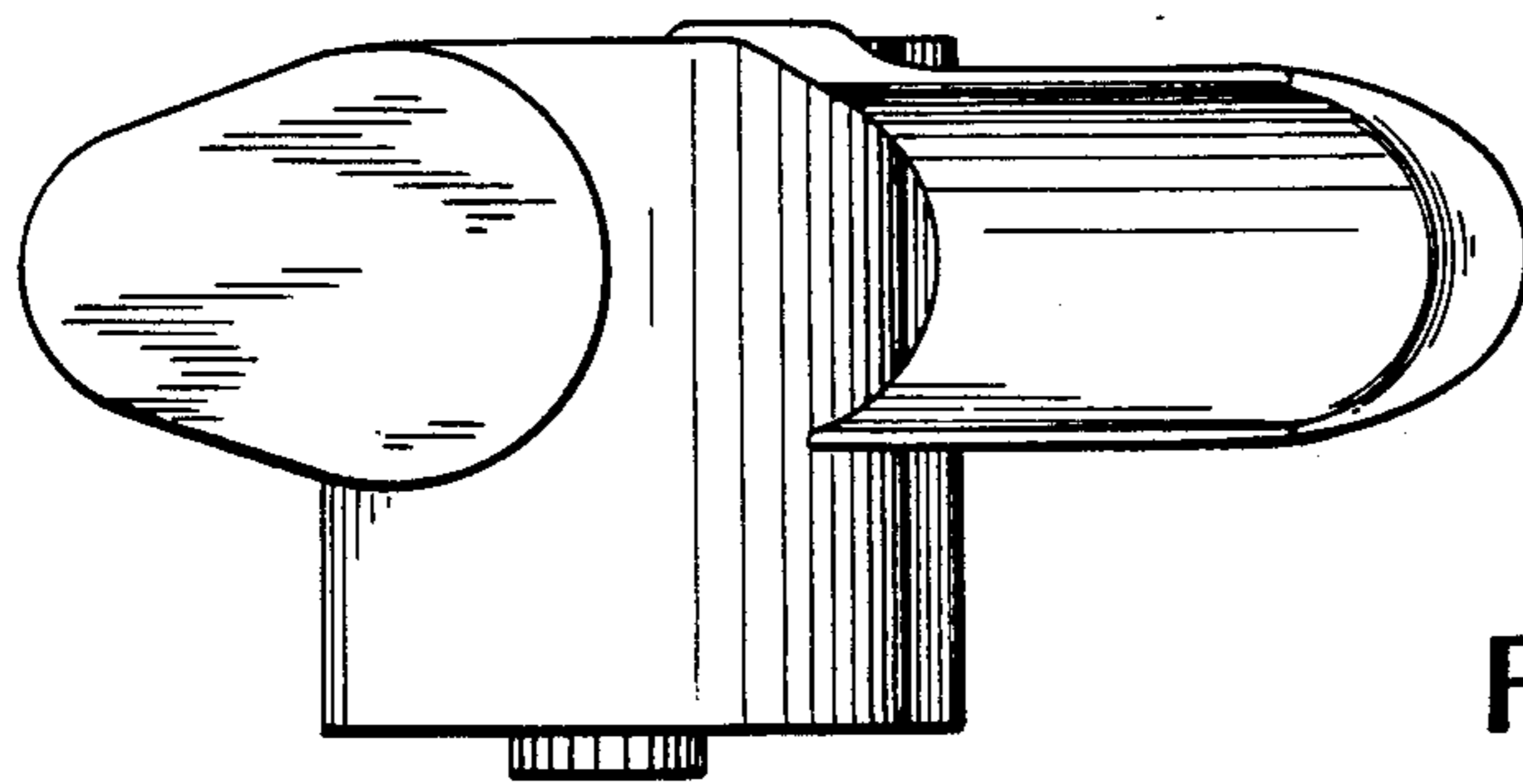
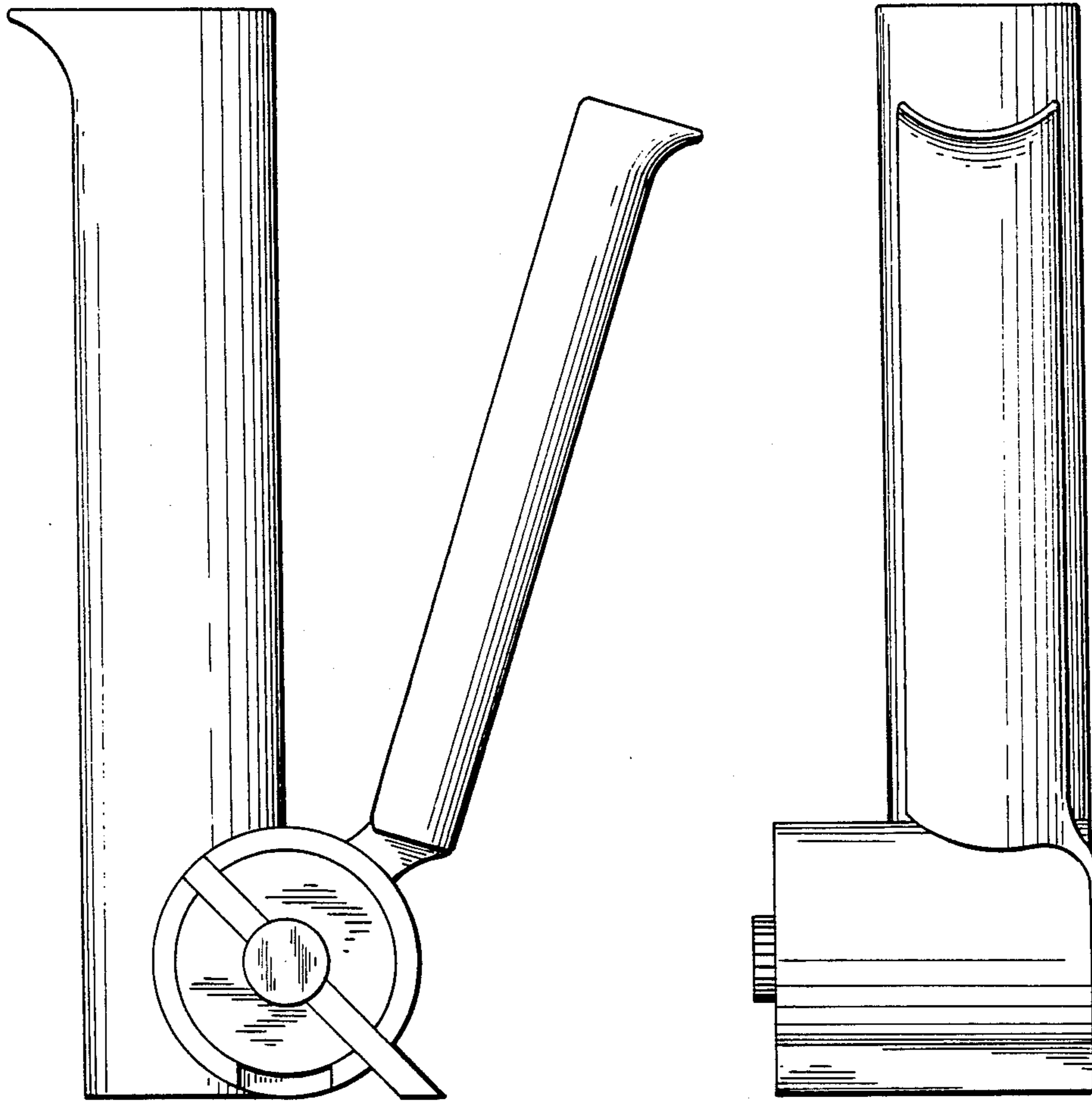


FIG. 3

FIG. 4

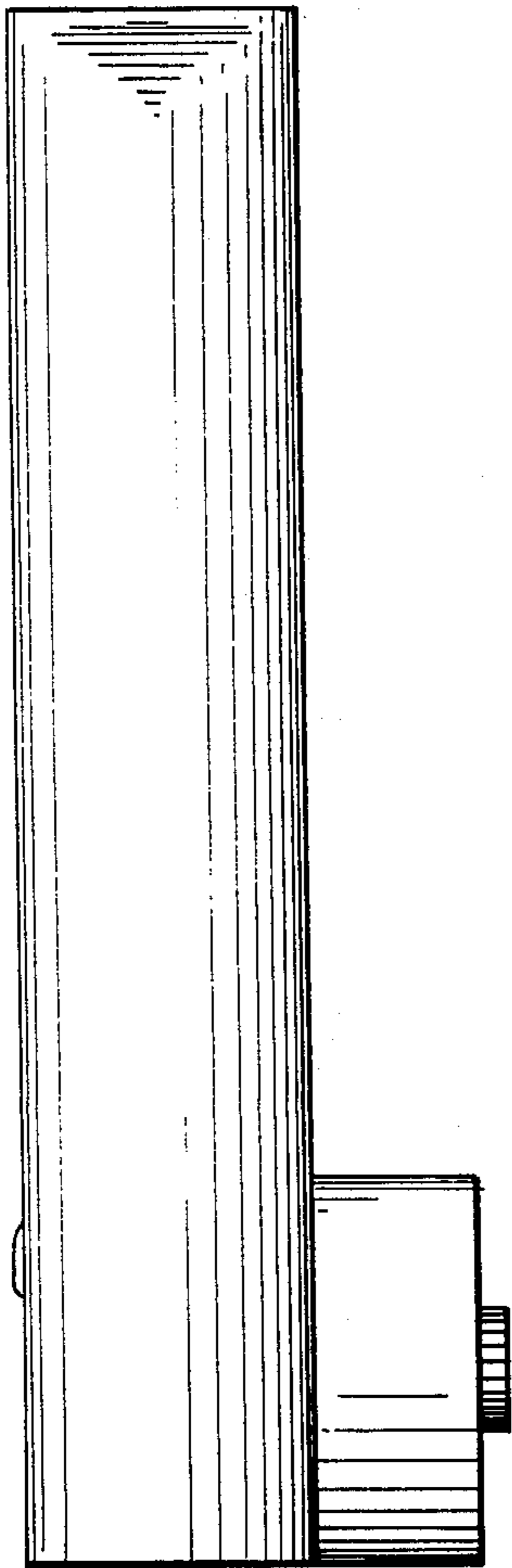


FIG. 5

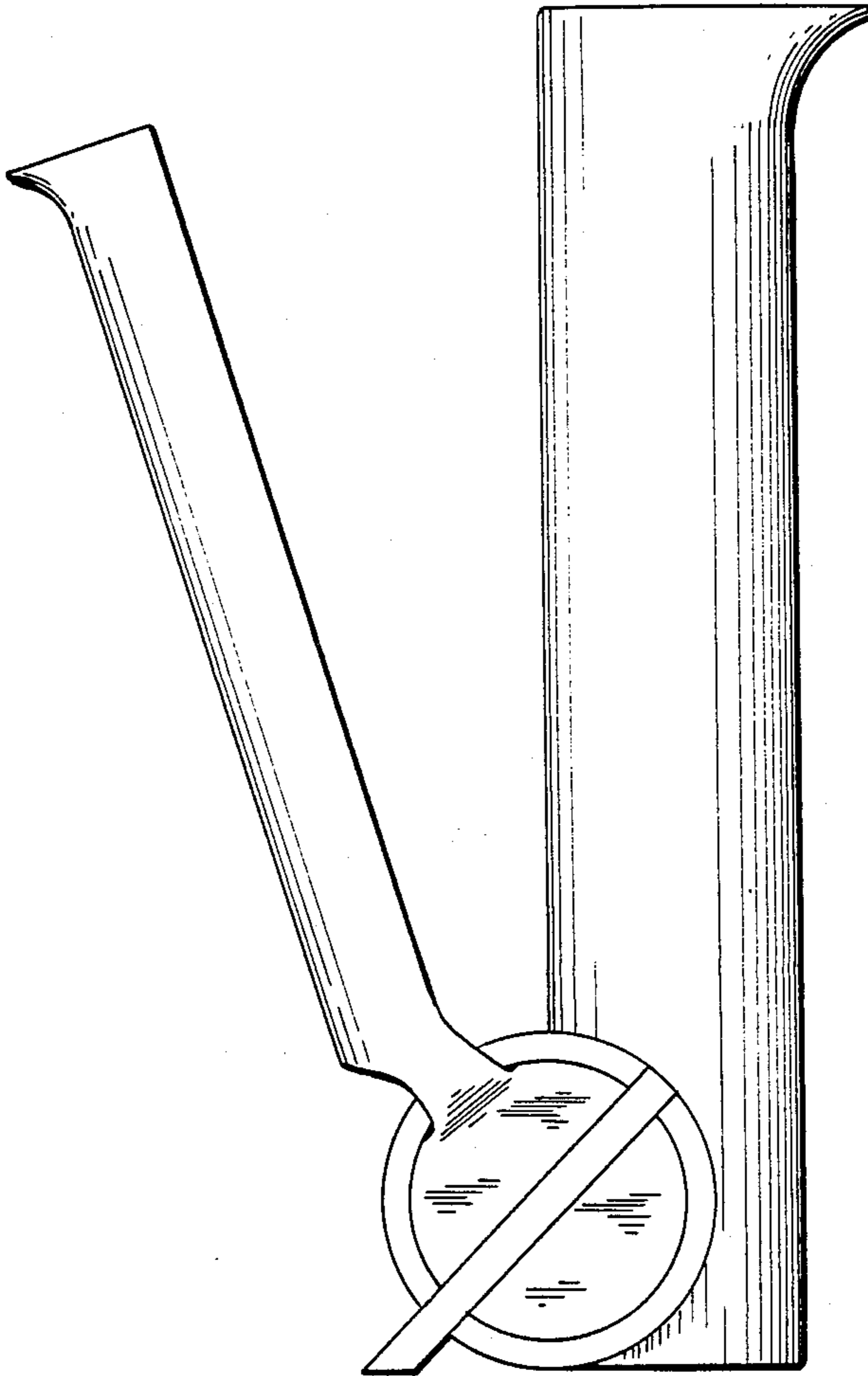


FIG. 6

