

[54] MODULAR JOINT FOR THE ASSEMBLY OF  
PIECES OF FURNITURE, SUSPENDED  
CEILINGS, WALL PANELING OR THE LIKE

[76] Inventor: Hans Diehl, Haufroosstrasse 1,  
CH-5452 Oberrohrdorf, Switzerland

[\*\*] Term: 14 Years

[21] Appl. No.: 816,755

[22] Filed: Jan. 7, 1986

[52] U.S. Cl. .... D6/491; D8/382

[58] Field of Search ..... D8/382; 403/292, 295,  
403/298, 172, 405.1; D6/491

[56] References Cited

U.S. PATENT DOCUMENTS

3,873,220	3/1975	Kashiwabara .....	403/172
4,049,355	9/1977	Kawazu .....	403/172
4,076,429	2/1978	Berkowitz .....	403/172
4,273,462	6/1981	Fukuchi .....	403/292
4,636,105	1/1987	Johansson .....	403/292

Primary Examiner—B. J. Bullock  
Attorney, Agent, or Firm—Peter K. Kontler

[57] CLAIM

The ornamental design for a modular joint for the assembly of pieces of furniture, suspending ceilings, wall paneling or the like, as shown and described.

DESCRIPTION

FIG. 1 is a perspective view of a modular joint for the assembly of pieces of furniture, suspended ceilings, wall paneling or the like showing my new design; FIG. 2 is an enlarged perspective view of one of the arms shown separately for ease of illustration; FIG. 3 is an end elevational view of FIG. 2; FIG. 4 is a top plan view of FIG. 3; FIG. 5 is a bottom plan view of FIG. 3; FIG. 6 is a left side elevational view of FIG. 3; FIG. 7 is a right side elevational view of FIG. 3; FIG. 8 is a top plan view of FIG. 2; FIG. 9 is an enlarged perspective view of the centerpiece shown separately for ease of illustration; FIG. 10 is a side elevational view of FIG. 9; FIG. 11 is an exploded perspective view of one arm and the centerpiece shown separately for ease of illustration. FIGS. 4-8 are shown broken away for convenience of illustration.

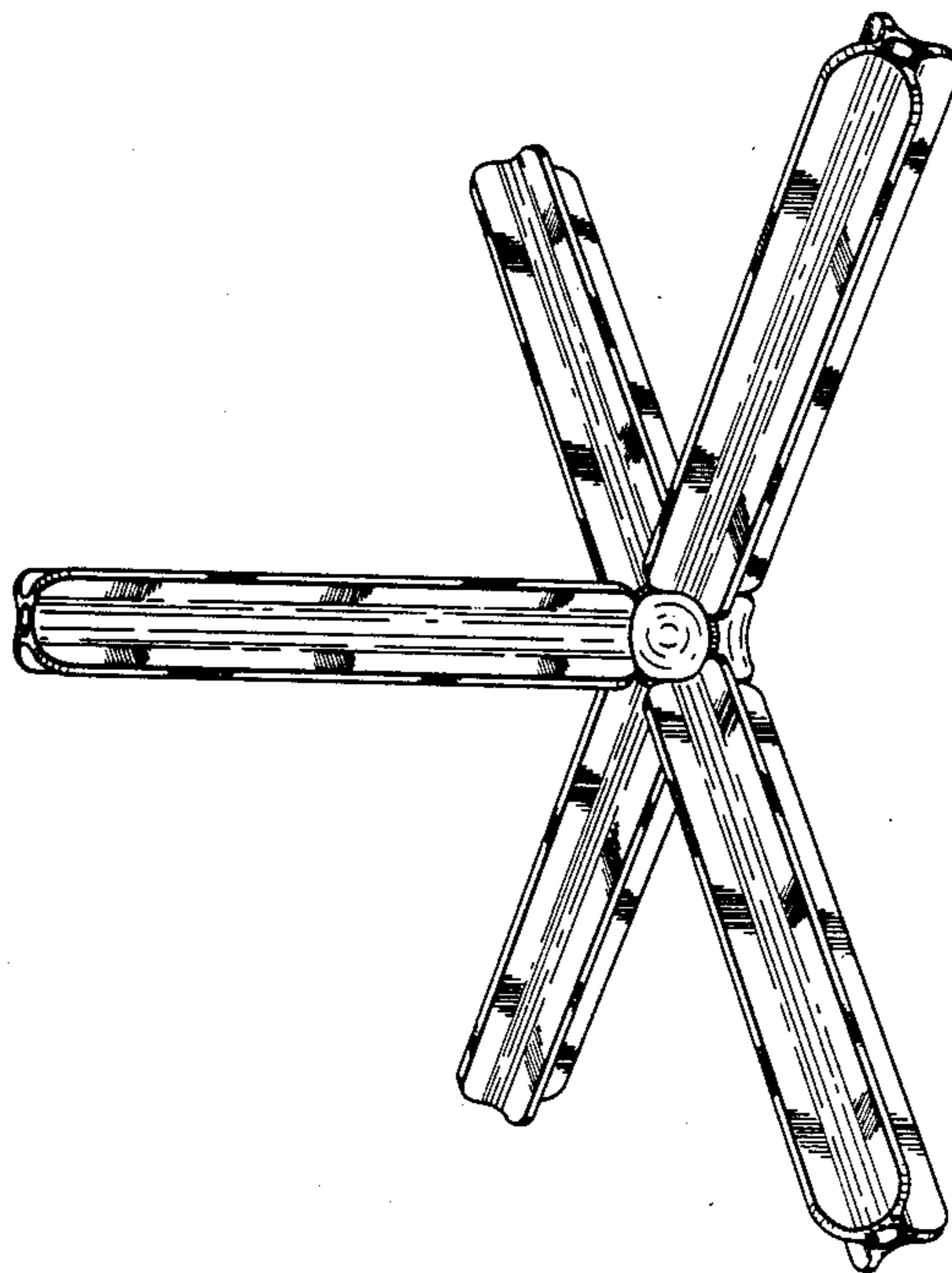


FIG. 1

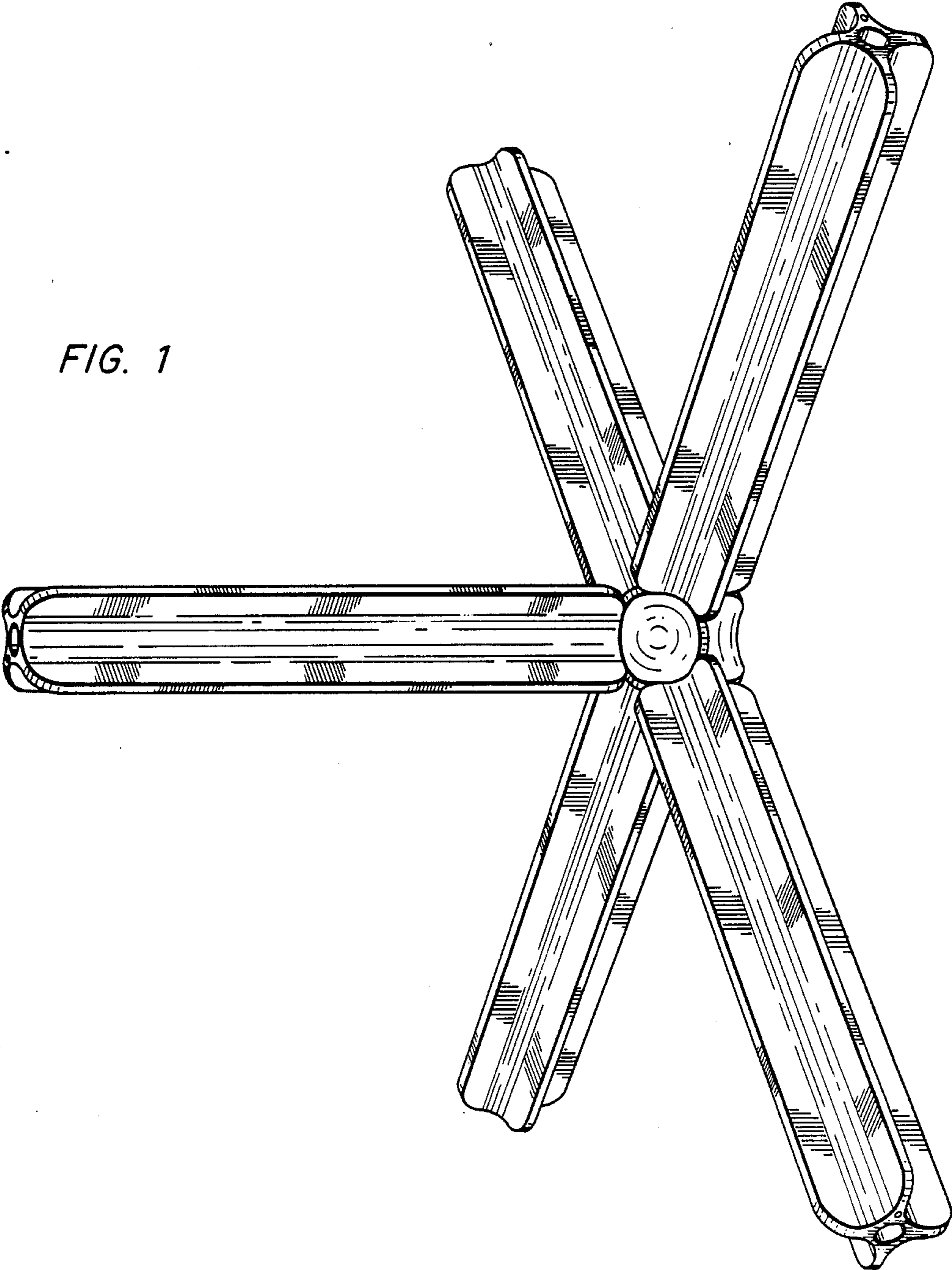
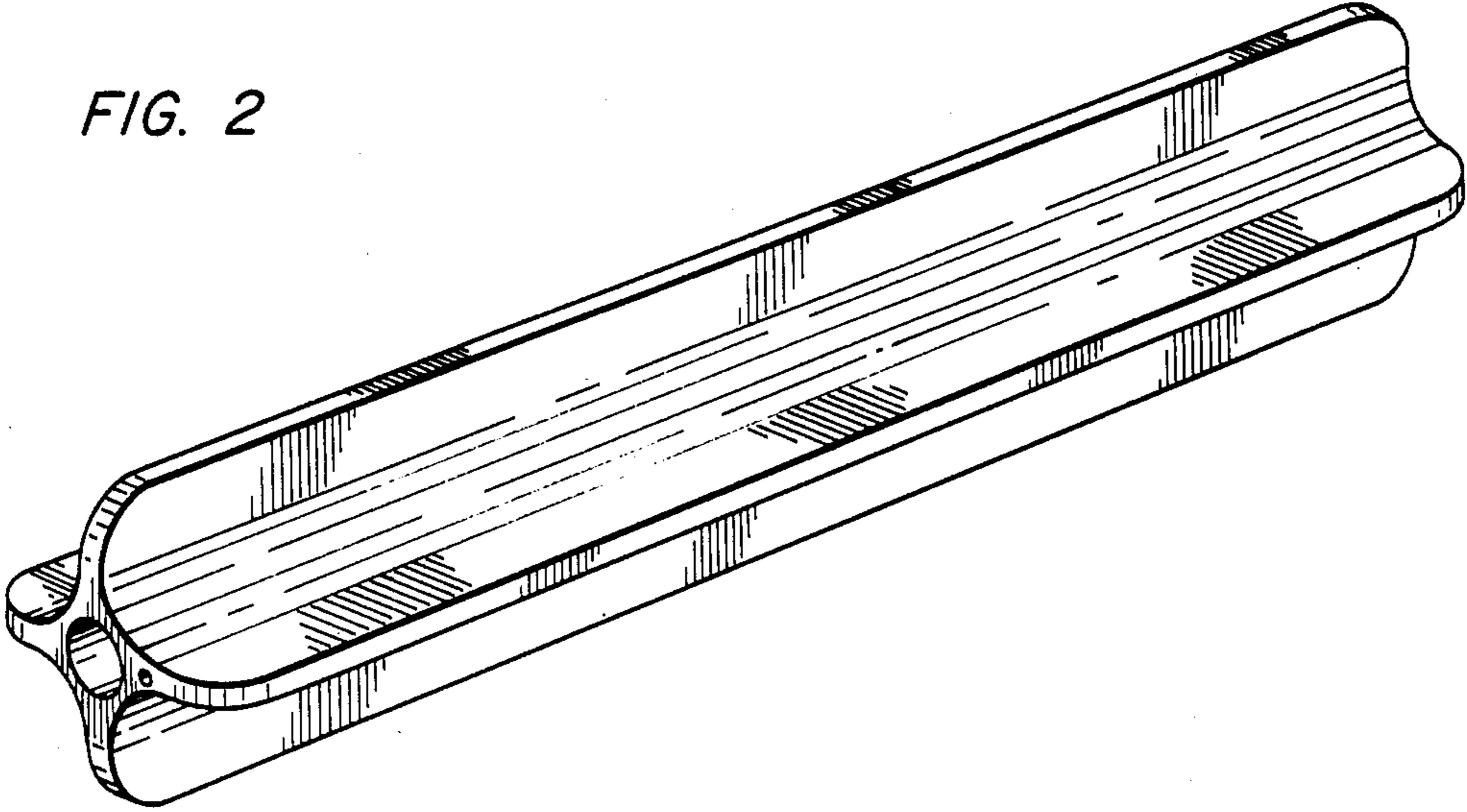


FIG. 2



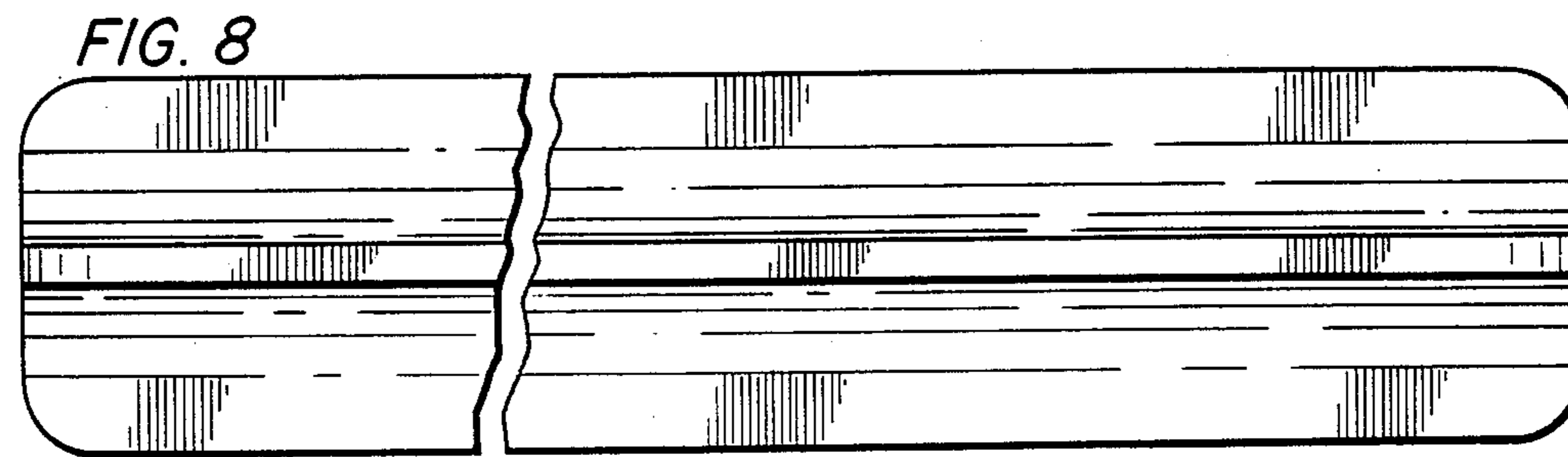
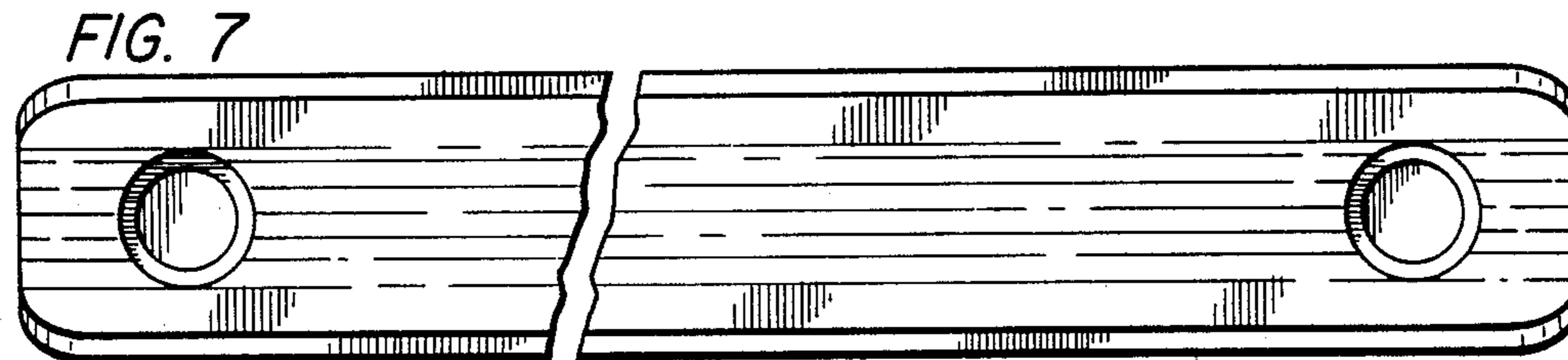
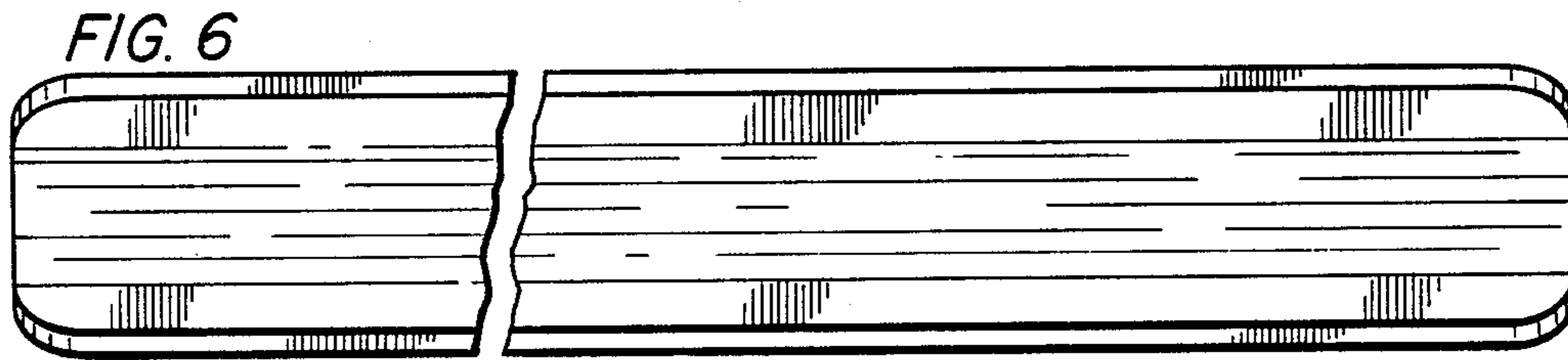
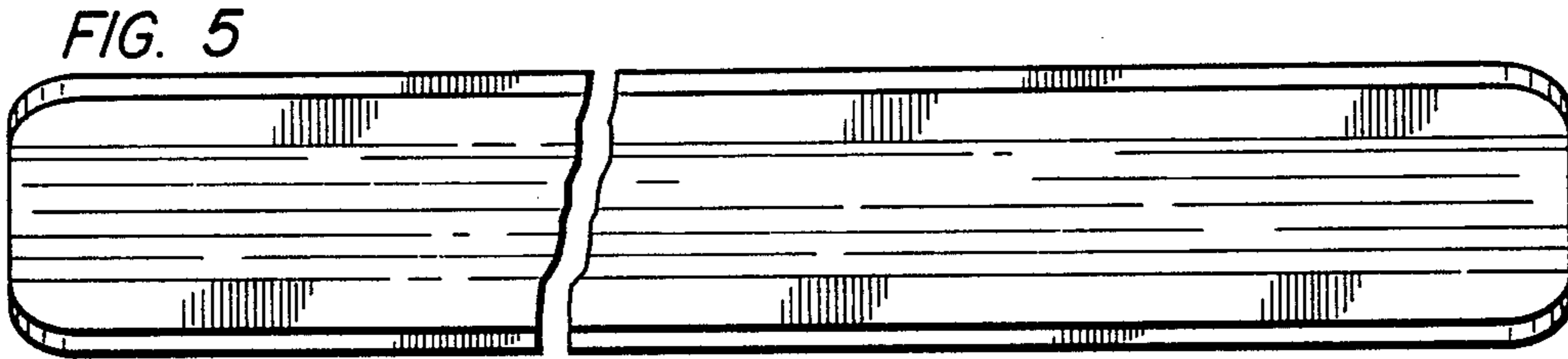
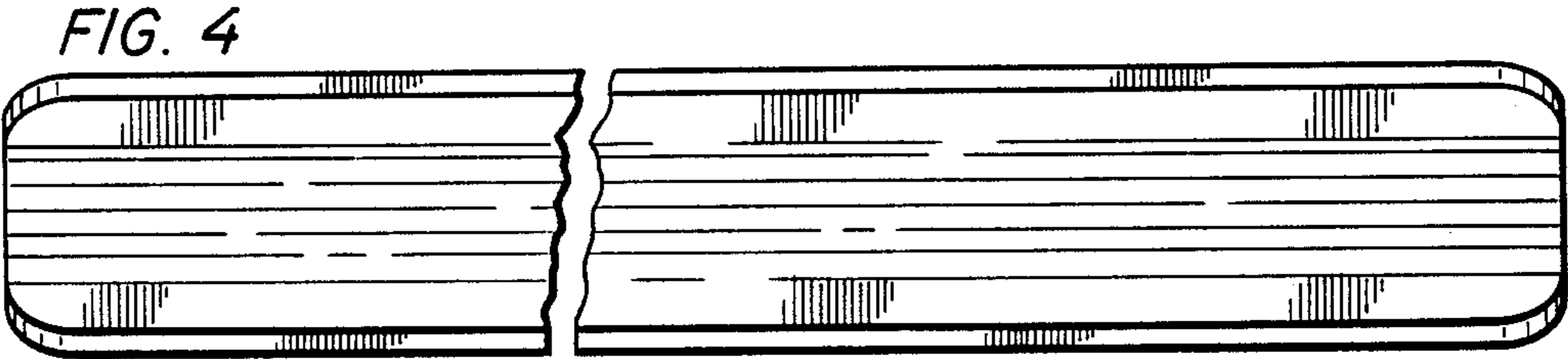
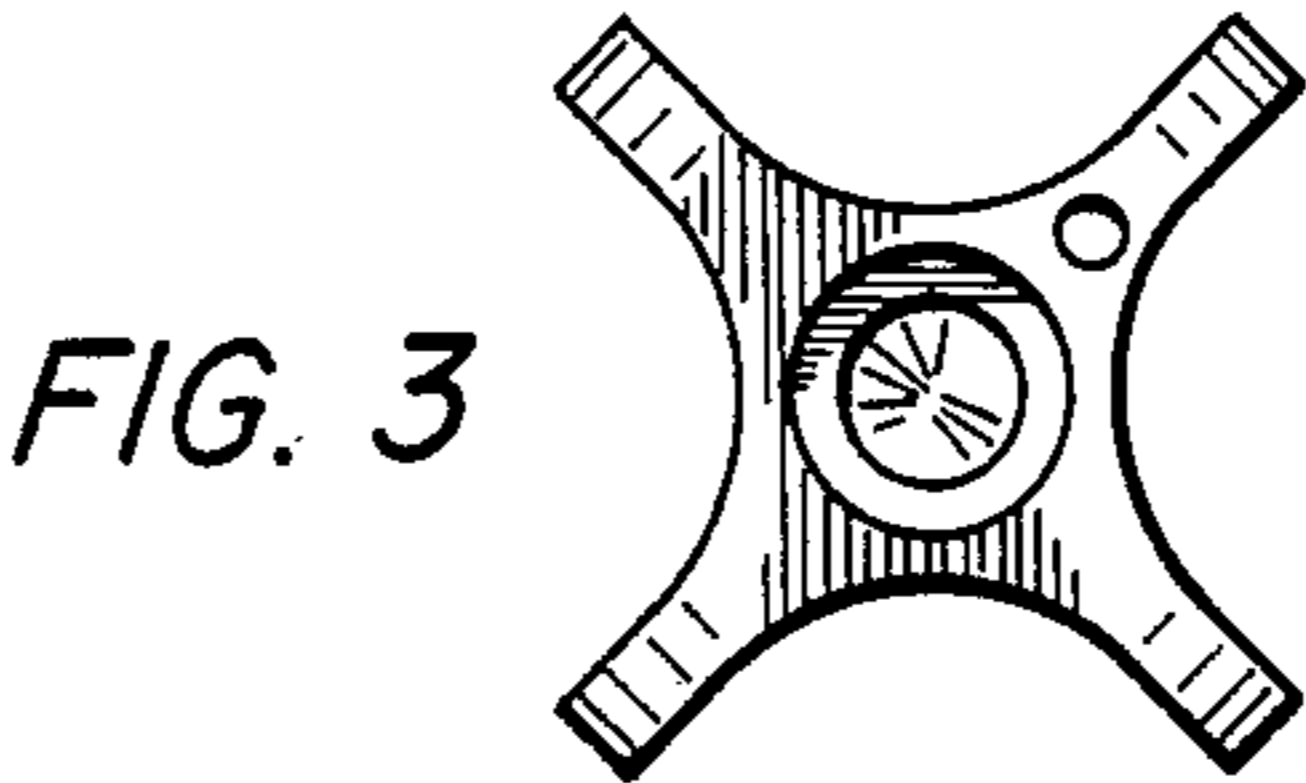


FIG. 9

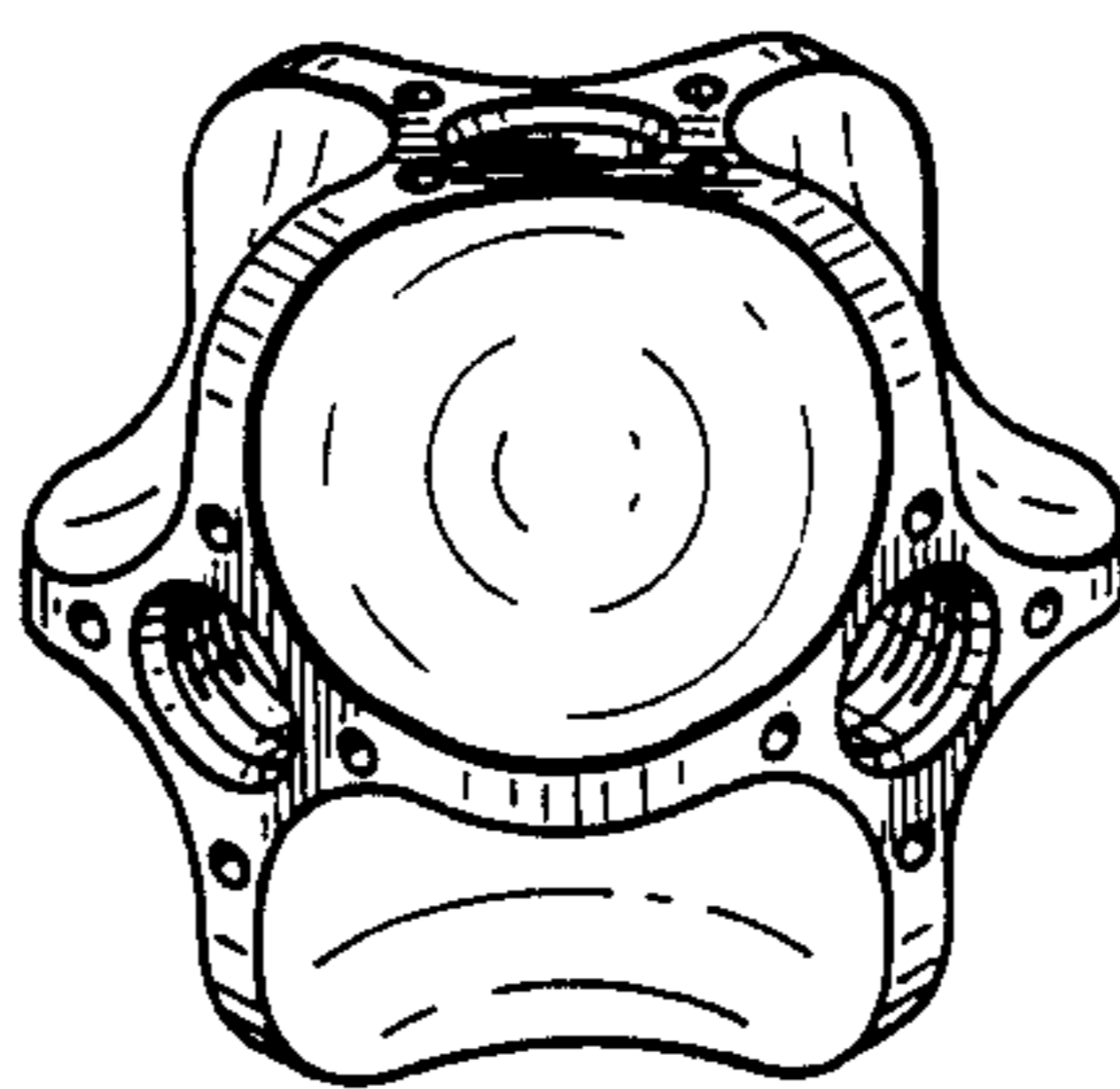
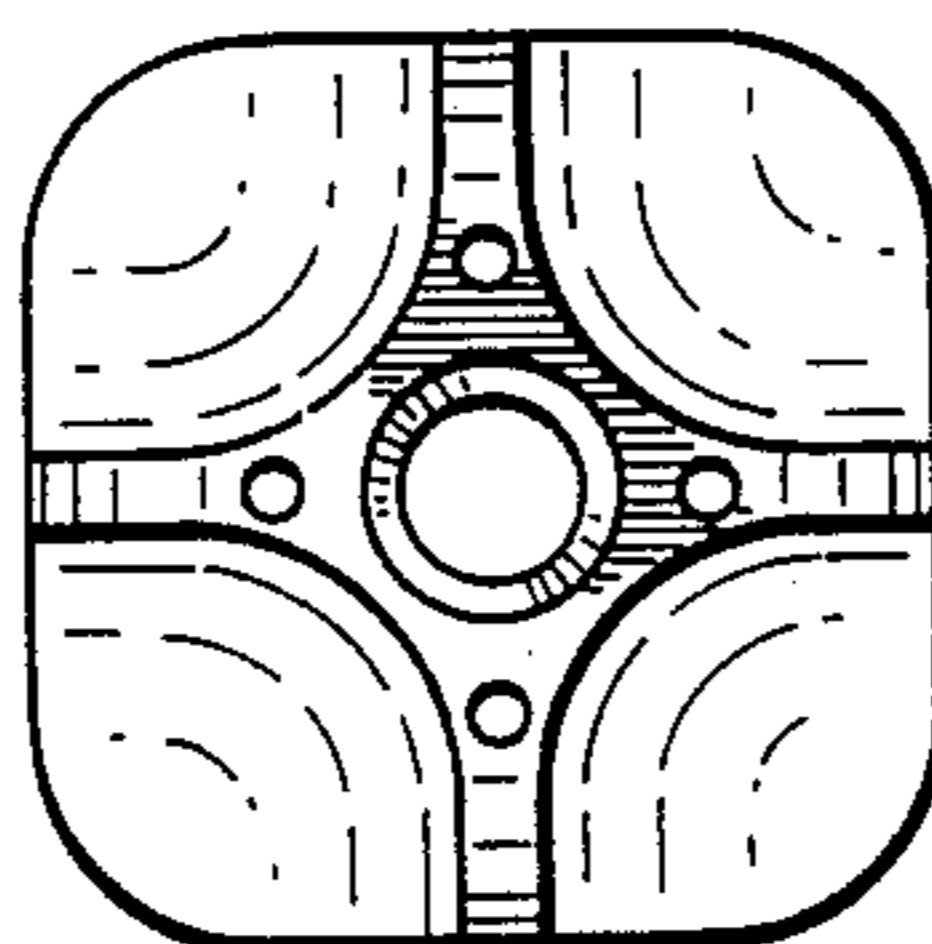


FIG. 10



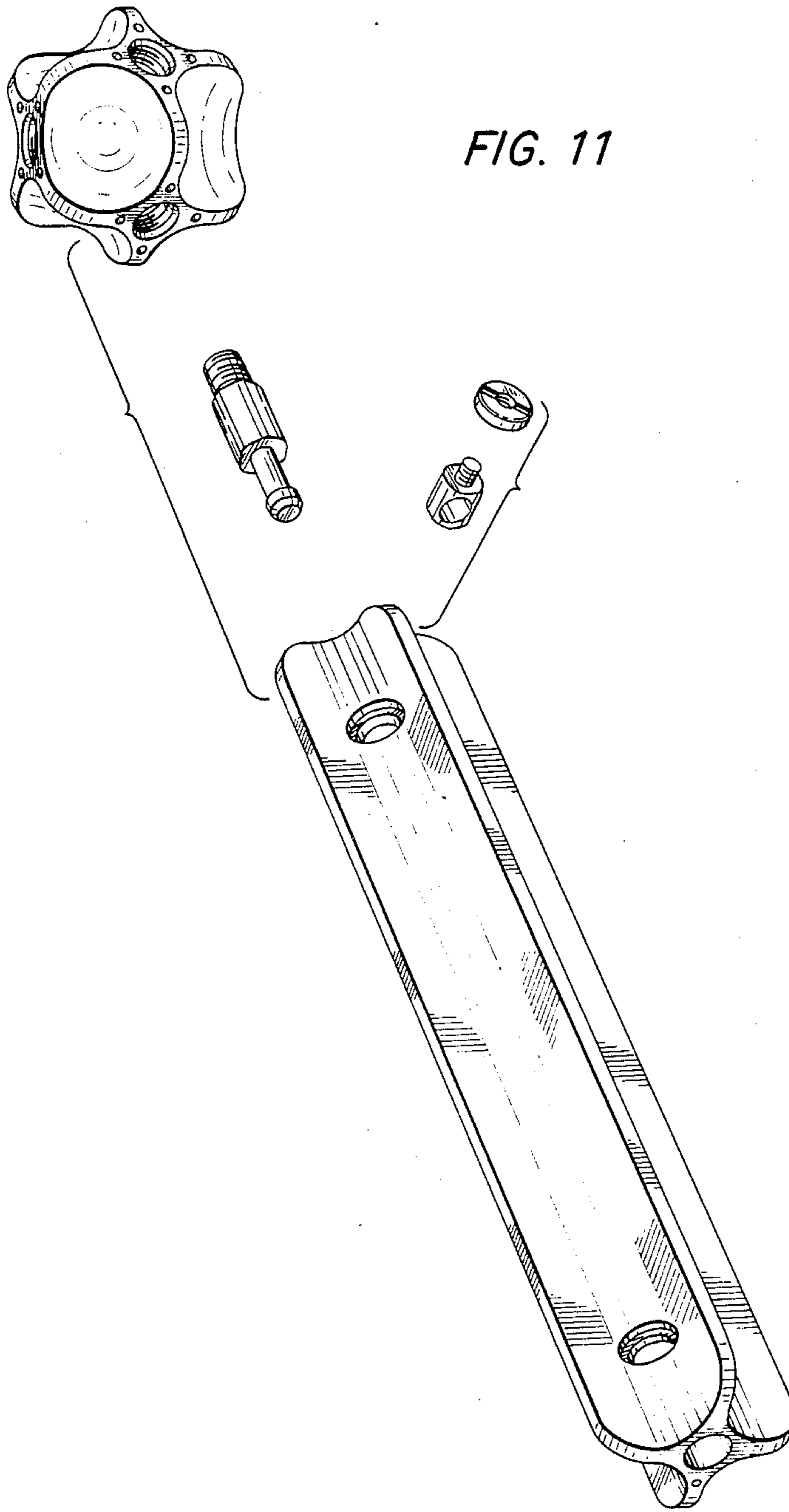


FIG. 11