

[54] RACK FOR HANDLING SPOOLS OF RIBBON

4,398,638 8/1983 Racine 211/13

[76] Inventor: Leo N. Butch, 9235 Crispin St., Philadelphia, Pa. 19114

Primary Examiner—Bruce W. Dunkins
Assistant Examiner—Mark Baldwin
Attorney, Agent, or Firm—John F. A. Earley; John F. A. Earley, III

[**] Term: 14 Years

[21] Appl. No.: 912,617

[57] CLAIM

[22] Filed: Sep. 29, 1986

The ornamental design for a rack for handling spools of ribbon, as shown.

[52] U.S. Cl. D6/466

[58] Field of Search D6/512, 513, 514, 515, D6/520, 536, 537, 566; 211/13, 44, 59.1

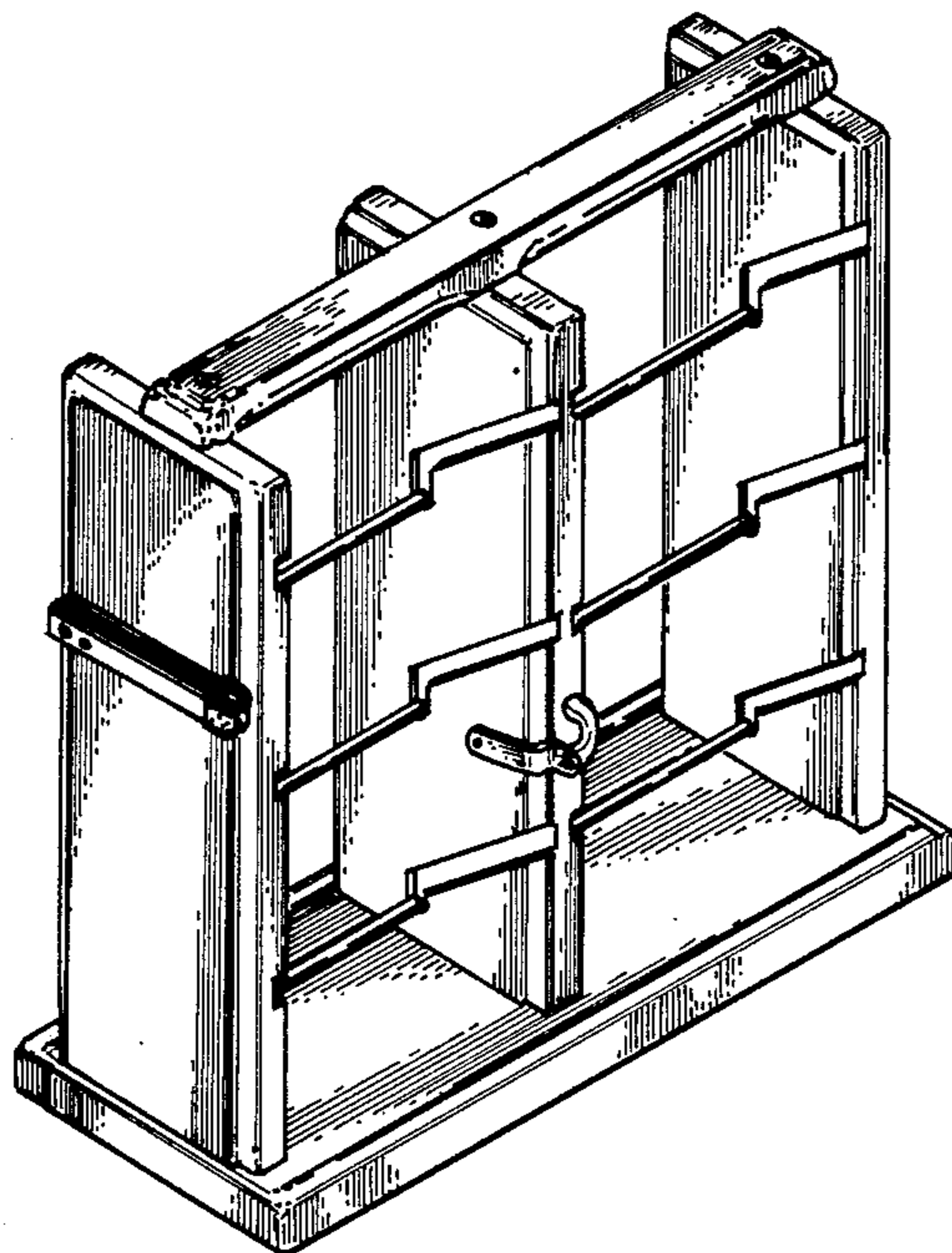
DESCRIPTION

[56] References Cited

U.S. PATENT DOCUMENTS

- D. 225,267 11/1972 Roisman D6/520
- D. 284,722 6/1986 Beckerman D6/520
- 2,482,714 9/1949 Mell D6/520 X
- 3,473,756 10/1969 Jones 211/59.1 X

FIG. 1 is a view in perspective of a rack constructed in accordance with this invention;
FIG. 2 is a top plan view of the rack;
FIG. 3 is a left side elevational view of the rack;
FIG. 4 is a bottom plan view of the rack;
FIG. 5 is a front elevational view of the rack;
FIG. 6 is a rear elevational view of the rack; and
FIG. 7 is a right side elevational view of the rack.



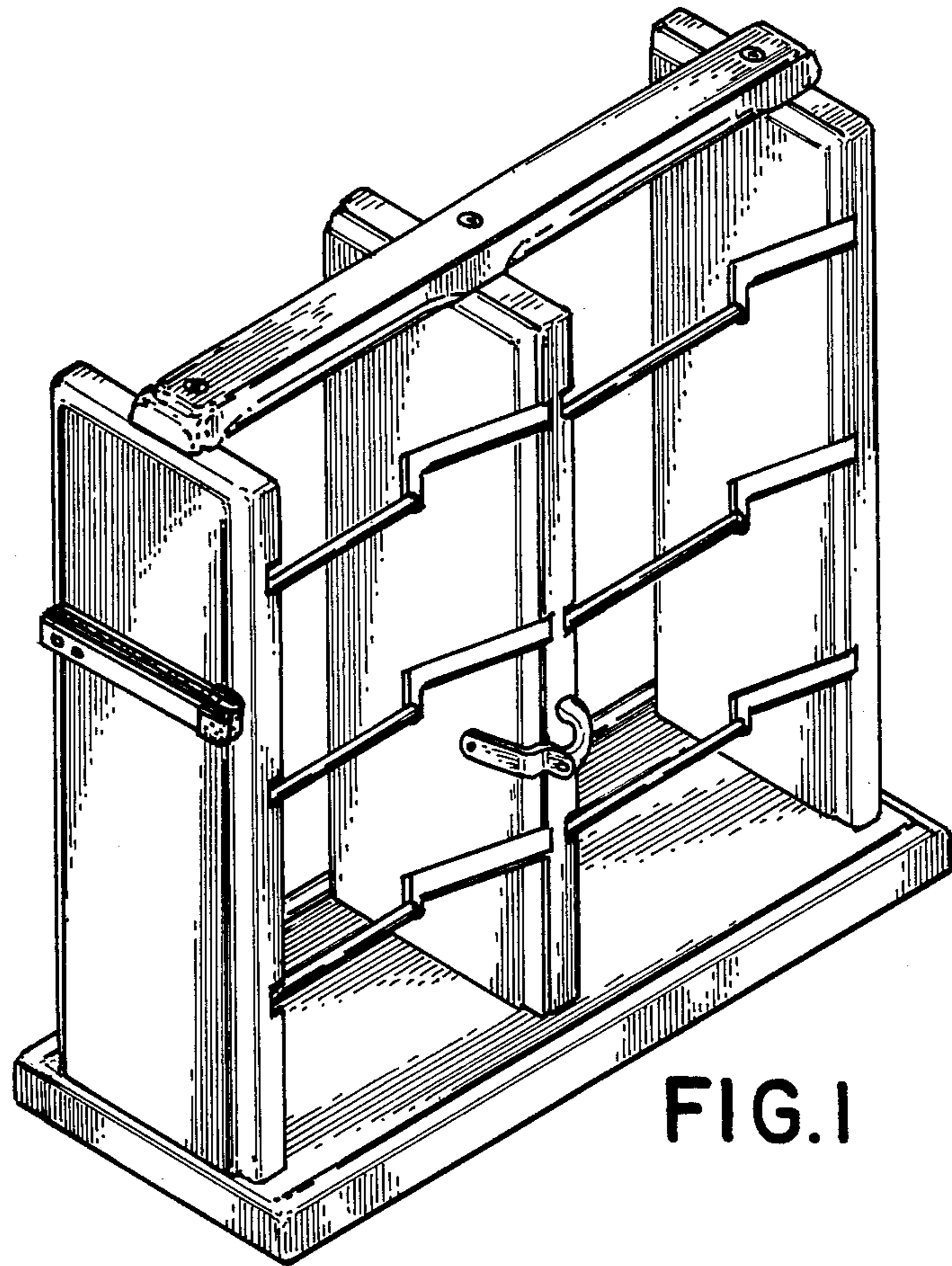


FIG. 1

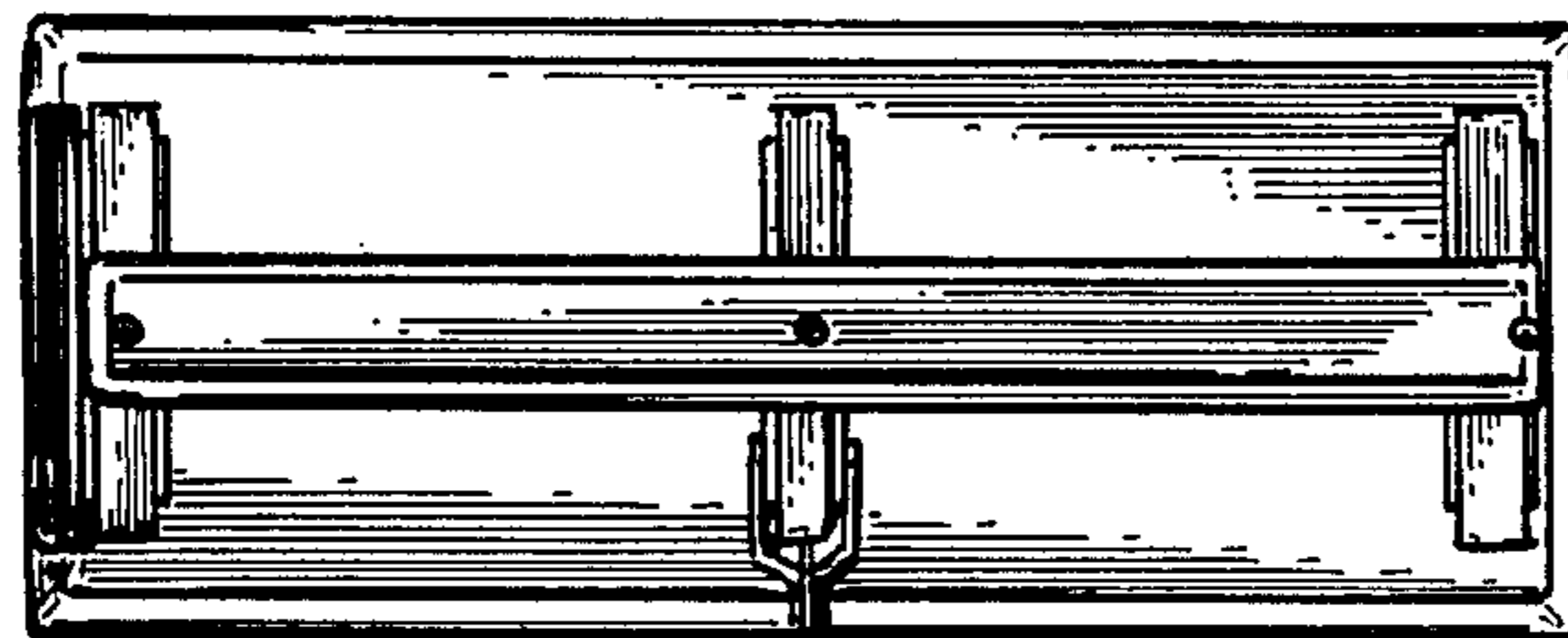


FIG. 2

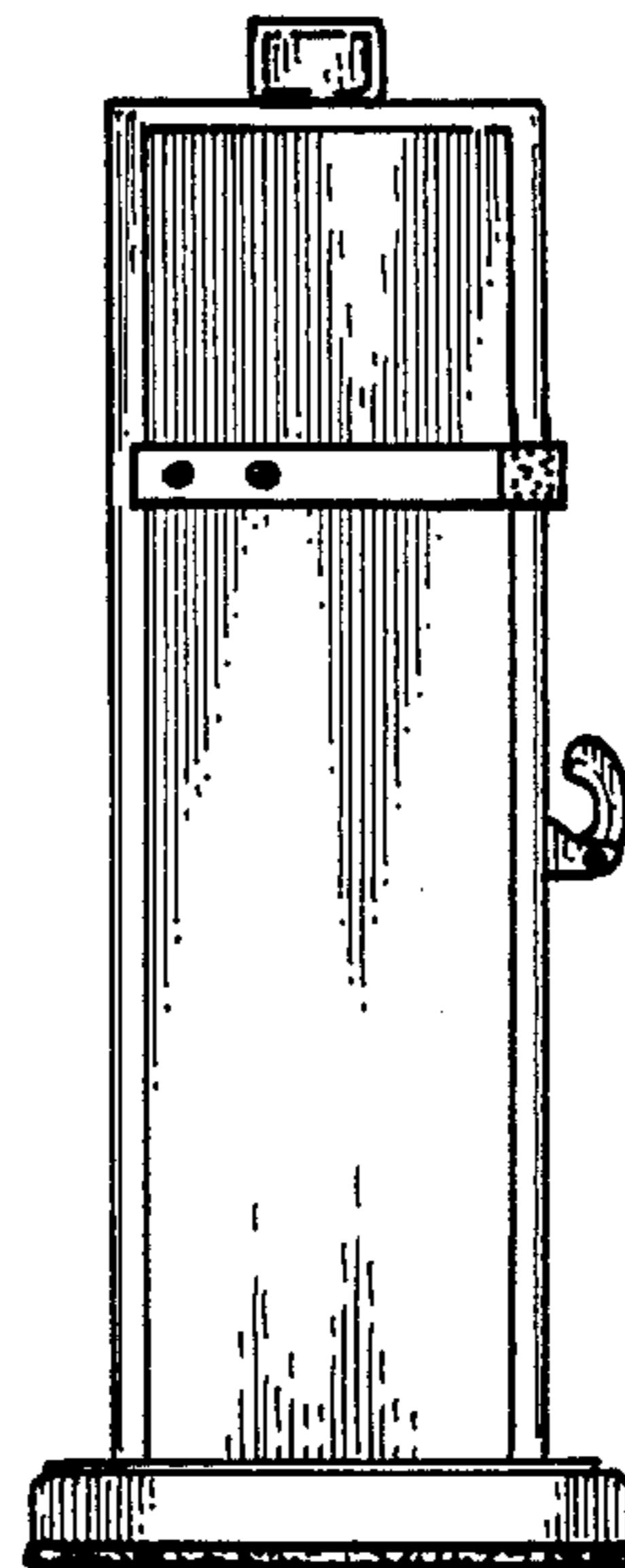


FIG. 3

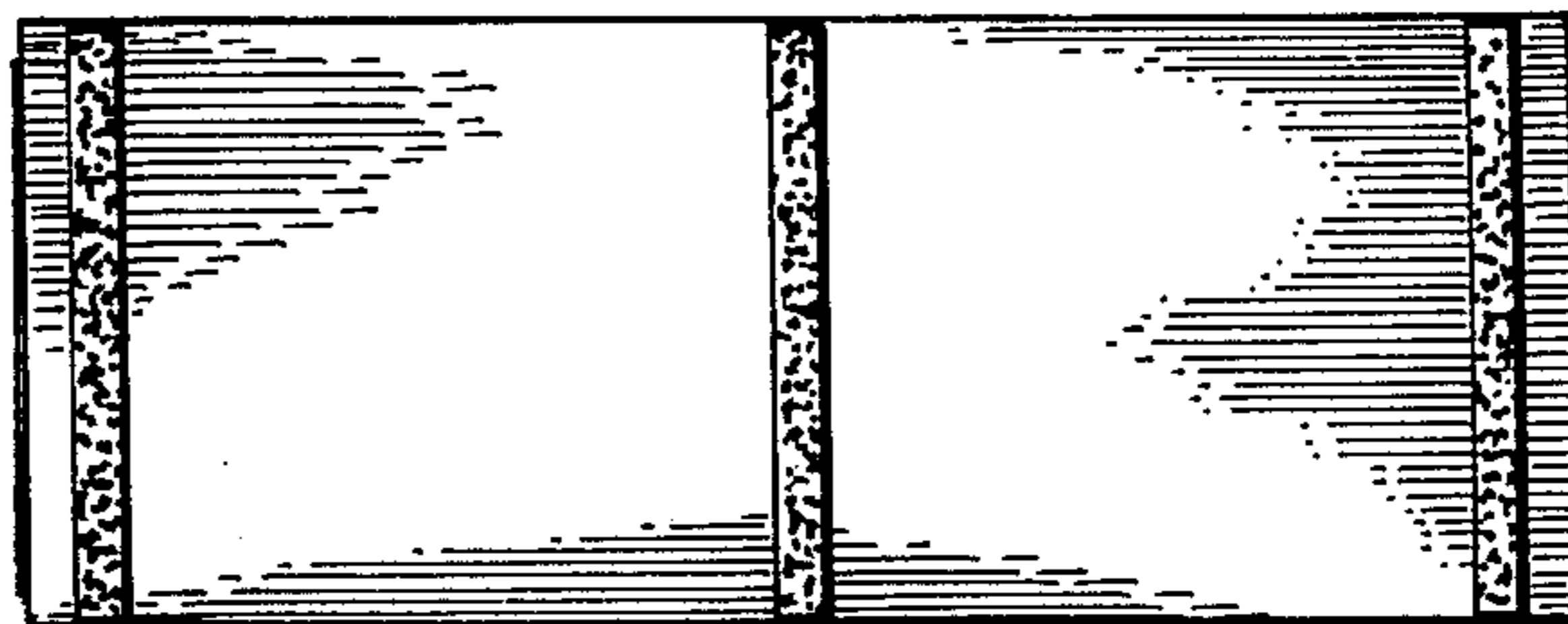


FIG. 4

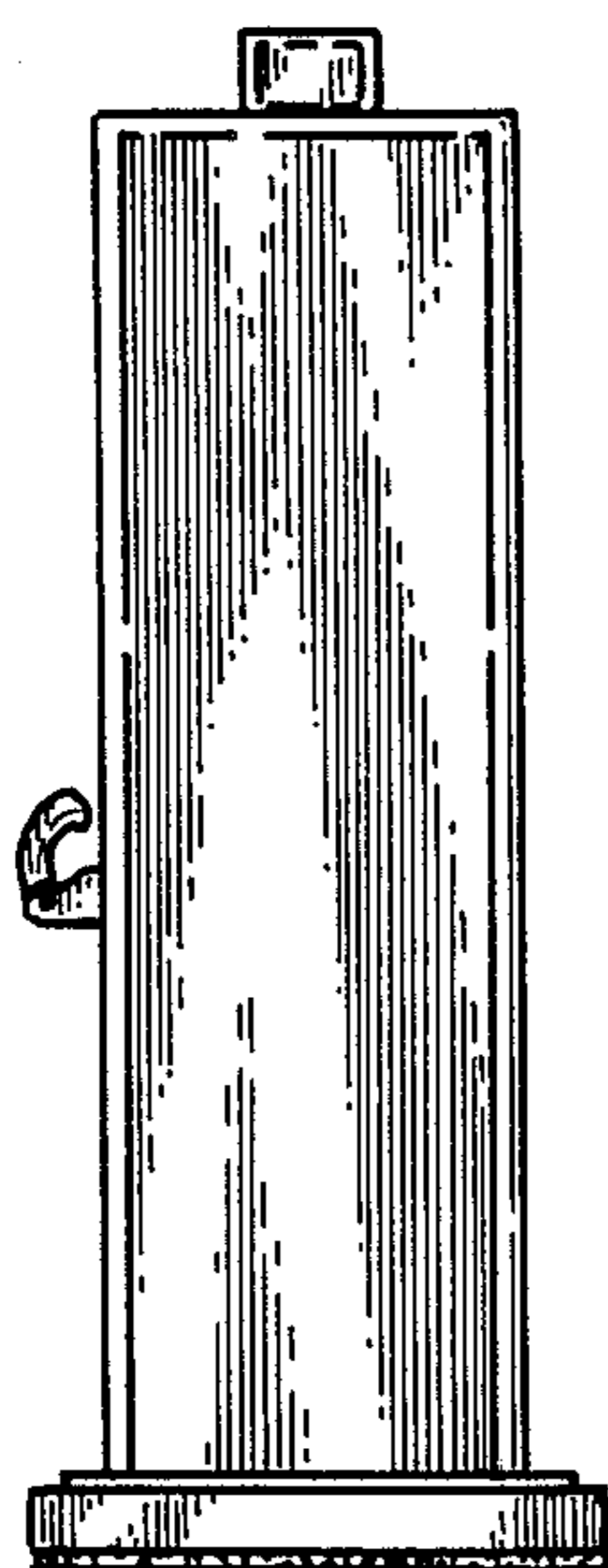


FIG. 7

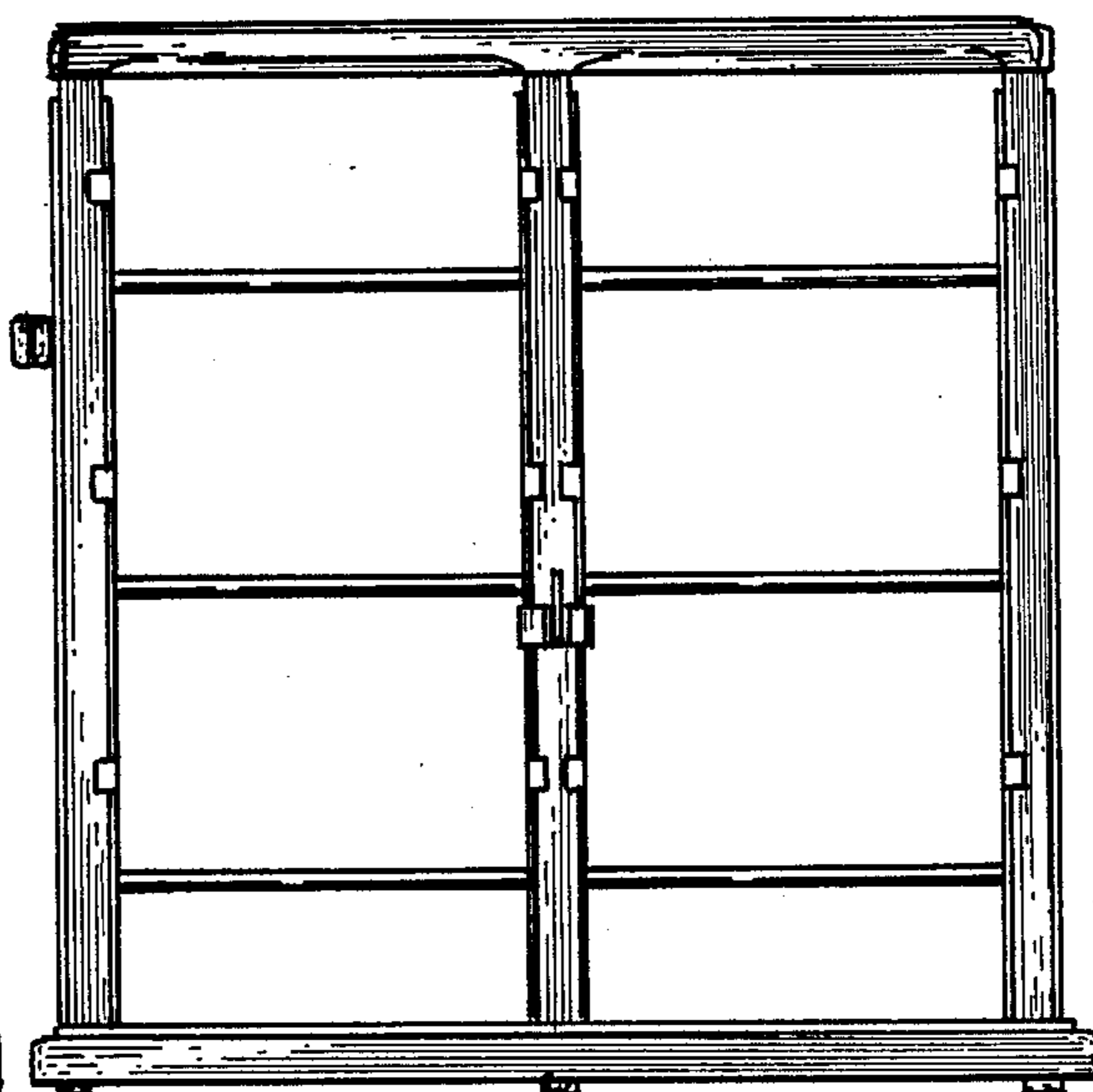


FIG. 5

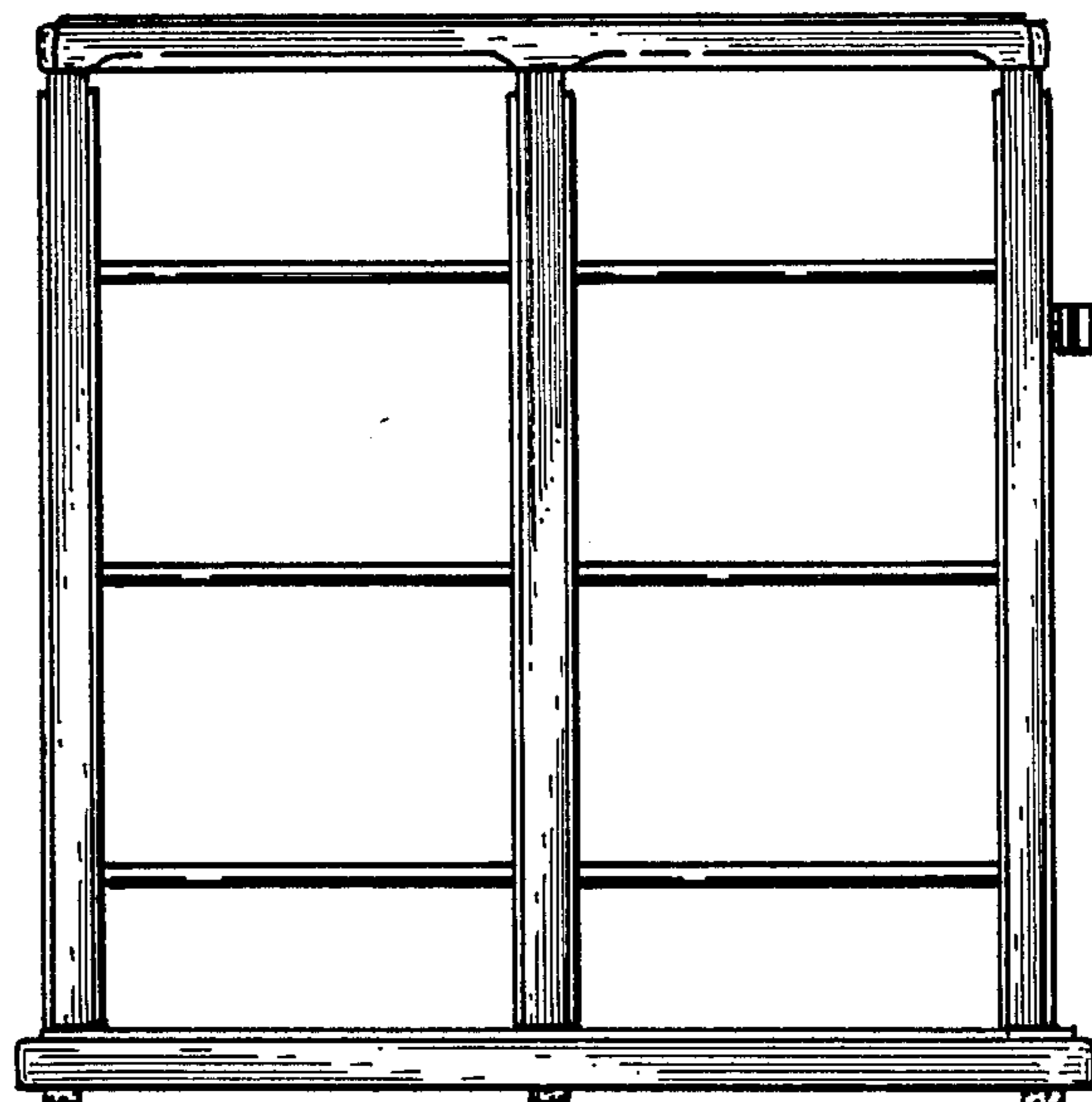


FIG. 6