

[54] **ELONGATED IMPLEMENT HOLDER**
[76] **Inventor: Kent L. Shepherd, 911 Third St., Taft, Calif. 93268**
[**] **Term: 14 Years**
[21] **Appl. No.: 903,083**
[22] **Filed: Sep. 2, 1986**
[52] **U.S. Cl. D6/457**
[58] **Field of Search D6/457, 478, 477, 352; D7/71; 211/60.1, 70.6, 70.1, 71, 72**

D. 251,892 5/1979 Palmer D6/457 X
351,649 10/1886 Newman 211/601

Primary Examiner—Carmen H. Vales-Lado
Assistant Examiner—Mark Baldwin
Attorney, Agent, or Firm—Jack C. Munro

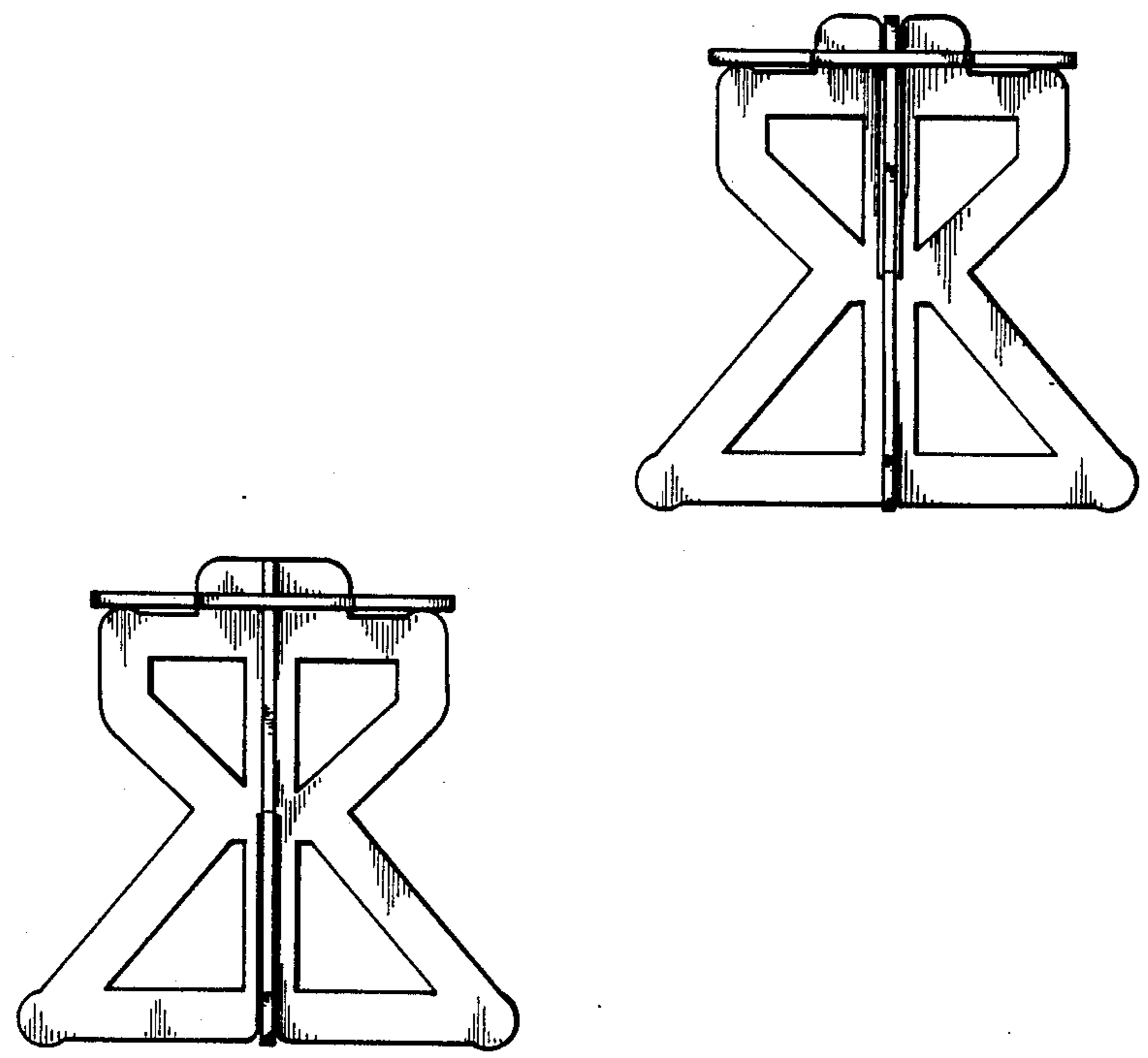
[57] **CLAIM**

The ornamental design for an elongated implement holder, as shown and described.

DESCRIPTION

FIG. 1 is a front elevational view of the elongated implement holder showing my new design the rear view being identical thereto;
FIG. 2 is a top plan view thereof;
FIG. 3 is a side elevational view thereof; and
FIG. 4 is a bottom plan view.

[56] **References Cited**
U.S. PATENT DOCUMENTS
D. 189,535 1/1961 Rath, Jr. D6/457 X
D. 240,871 8/1976 Herman D6/352



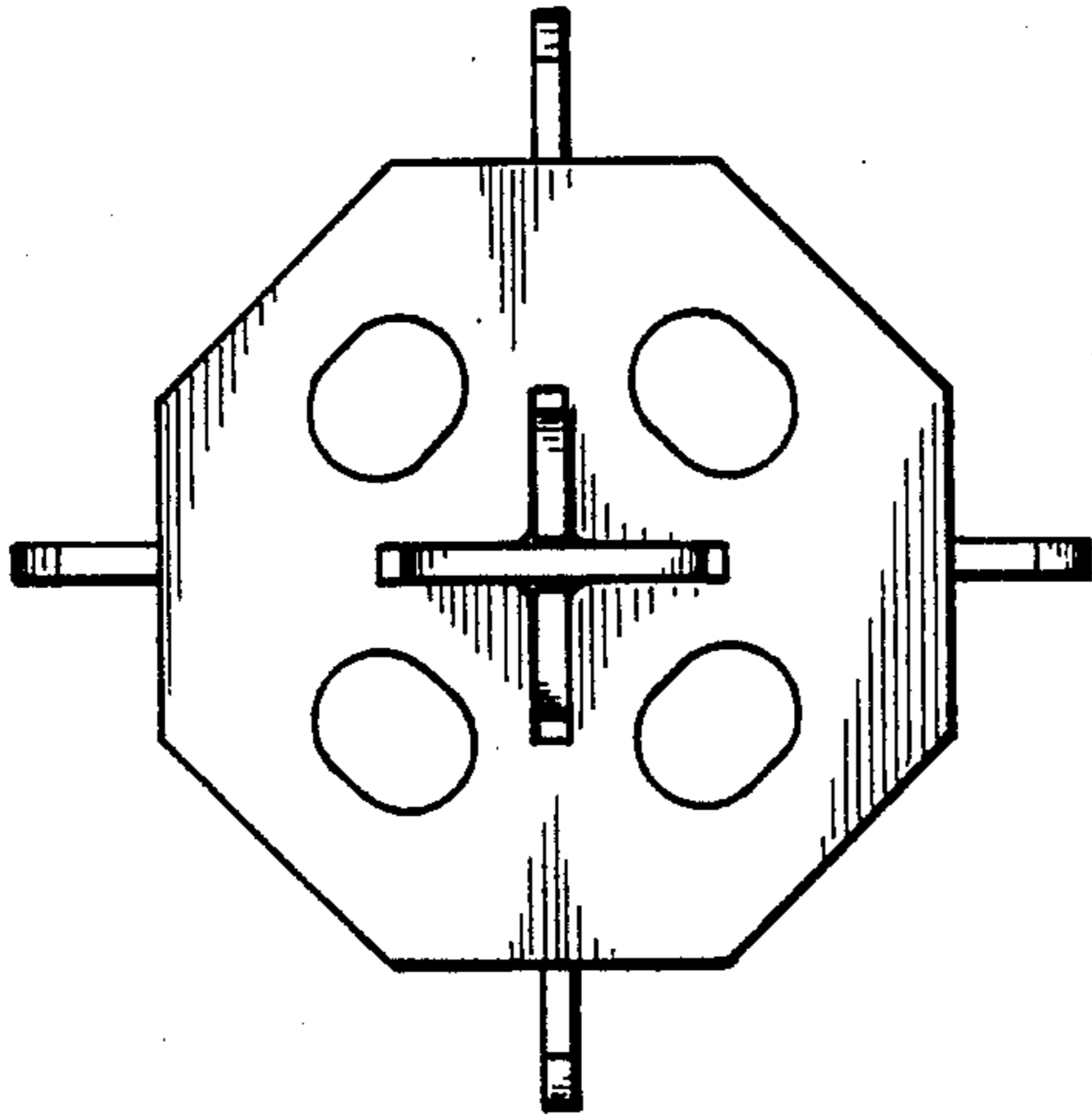


FIG. 2

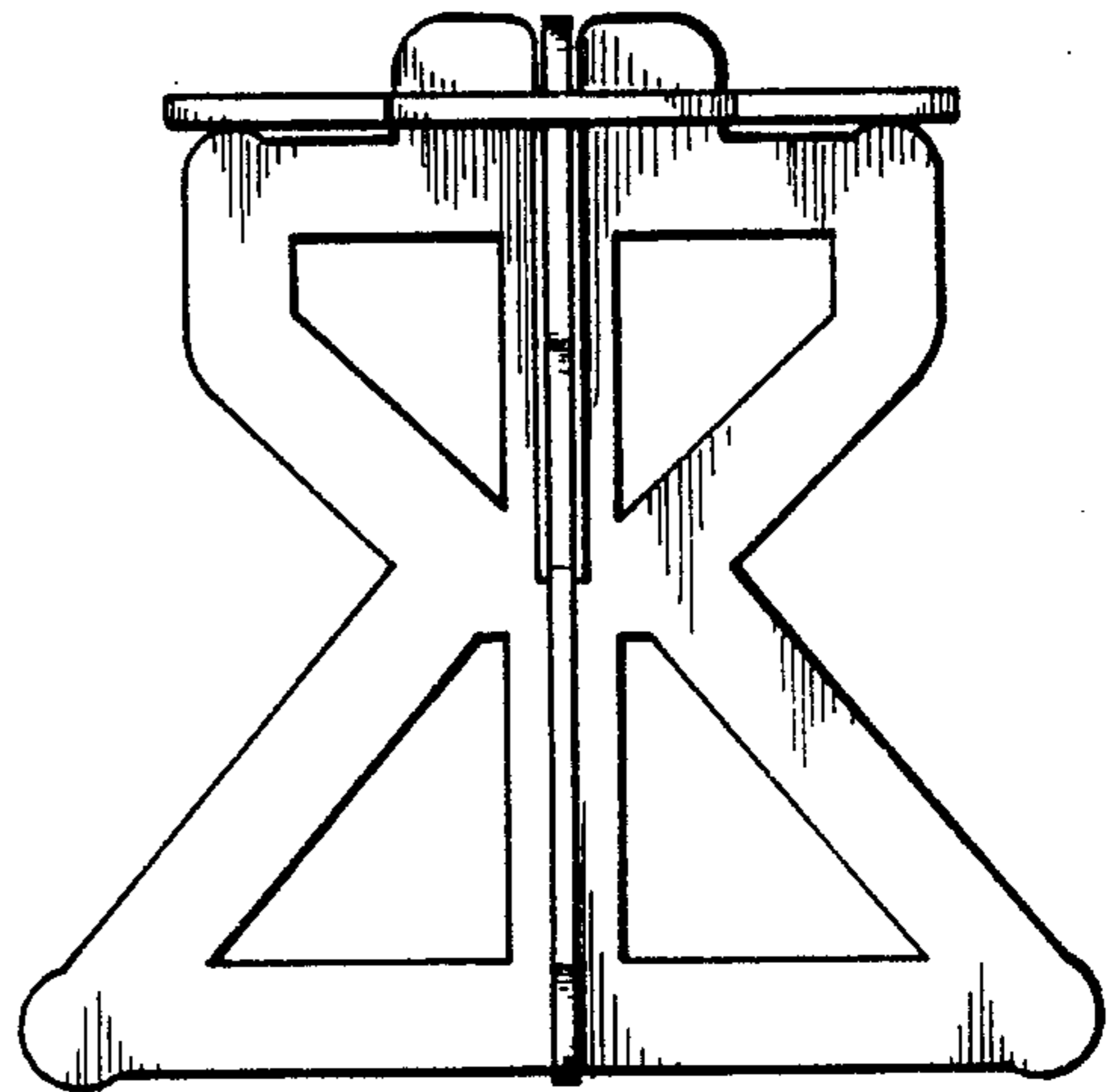


FIG. 3

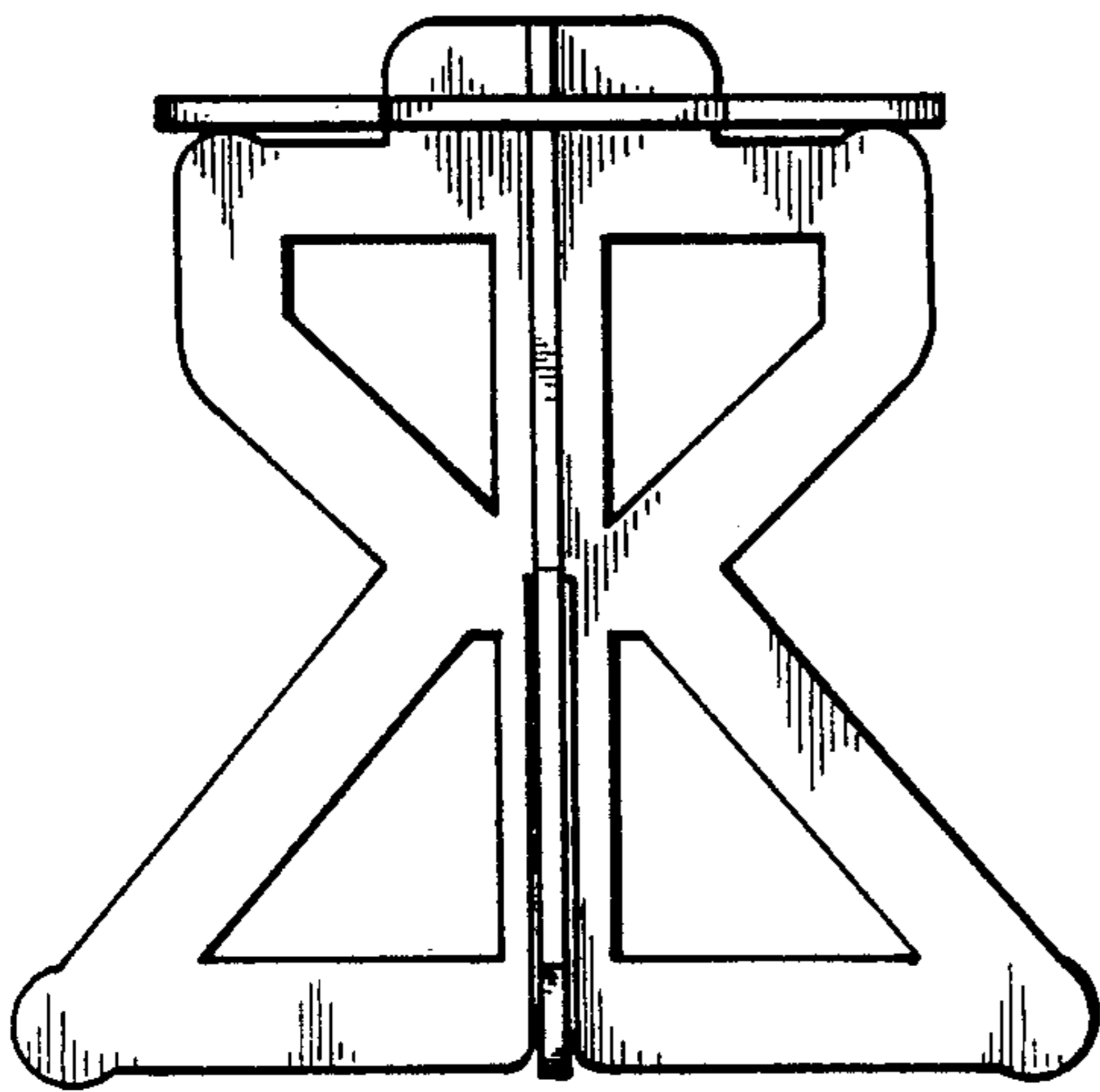


FIG. 1

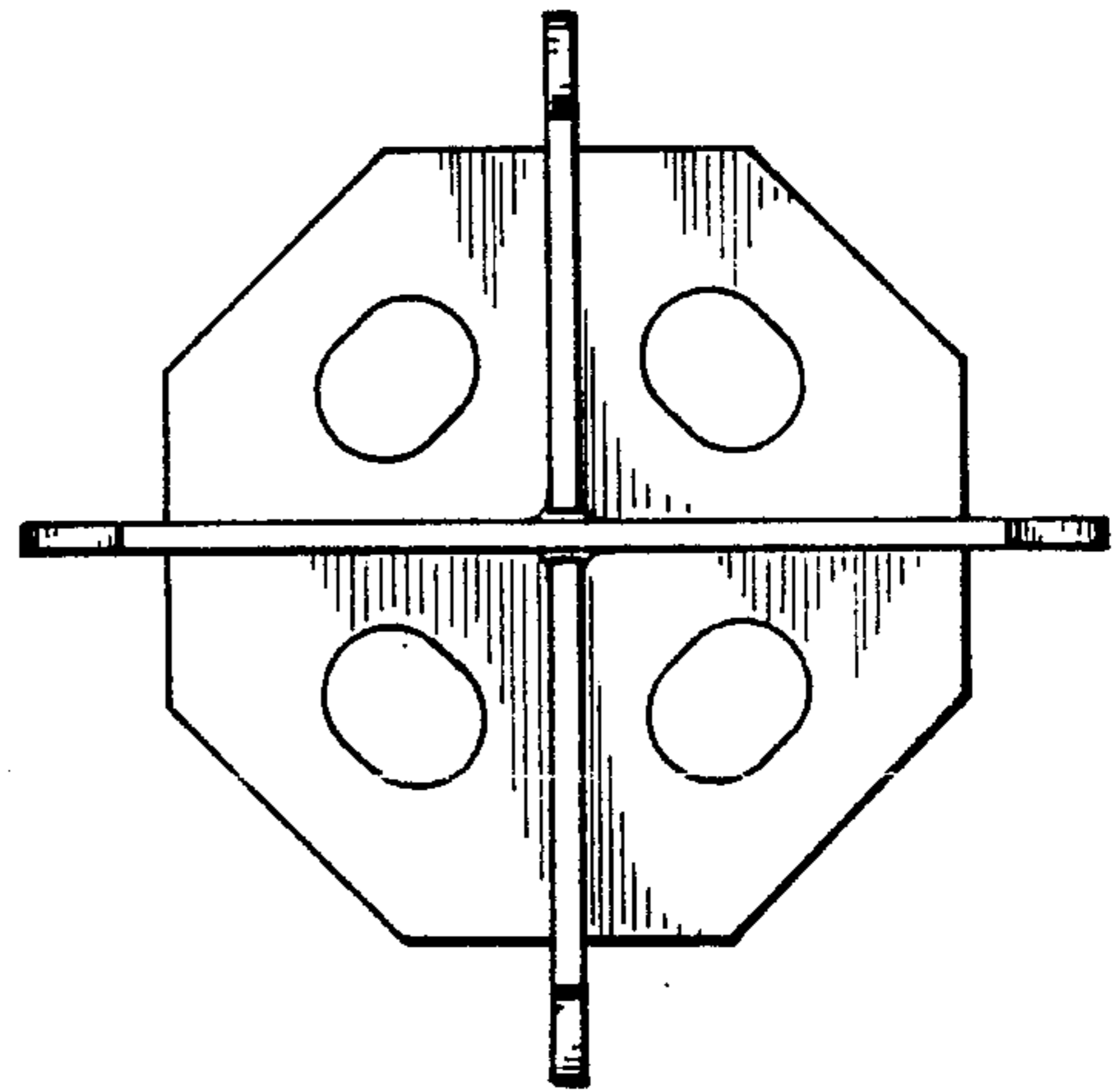


FIG. 4