

[54] ROCKING SUPPORT FOR PLANTS,
FLOWERS, CANDLES OR THE LIKE

[76] Inventors: David M. F. Chan, 1213 King Dr., El
Cerrito, Calif. 94530; Michael L. F.
Chan, 1407 Arch St., Berkeley, Calif.
94708

[**] Term: 14 Years

[21] Appl. No.: 822,284

[22] Filed: Jan. 24, 1986

[52] U.S. Cl. D6/405; D6/514;
D26/13; D26/20

[58] Field of Search D6/403, 405, 513, 514;
D26/9, 20, 22, 13; 47/39; 248/317, 318, 133,
139; 211/74, 79, 80, 81, 168; 431/288, 295

[56] References Cited

U.S. PATENT DOCUMENTS

D. 275,432	9/1984	Chan et al.	D6/513
D. 275,627	9/1984	Chan et al.	D6/514
D. 275,707	9/1984	Chan et al.	D26/9
4,529,160	7/1985	Chan et al.	431/295

Primary Examiner—B. J. Bullock
Attorney, Agent, or Firm—Robert R. Tipton

[57] CLAIM

The ornamental design for a rocking support for plants,
flowers, candles or the like, as shown.

DESCRIPTION

FIG. 1 is a front view of a rocking support for plants,
flowers, candles or the like showing a new design, the
rear being identical;
FIG. 2 is a right side view thereof, the other side being
identical;
FIG. 3 is a top view thereof, and
FIG. 4 is a bottom view thereof.

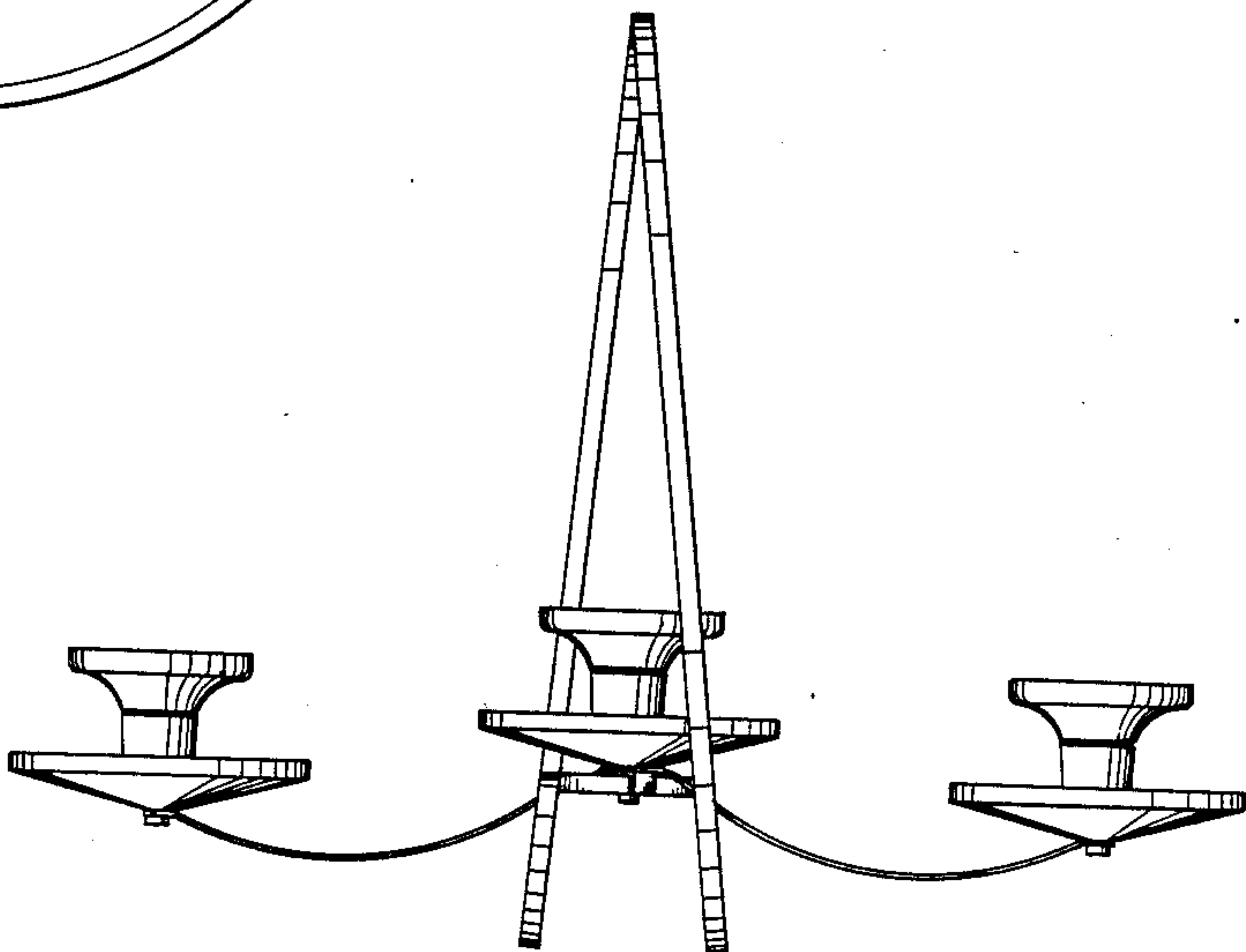
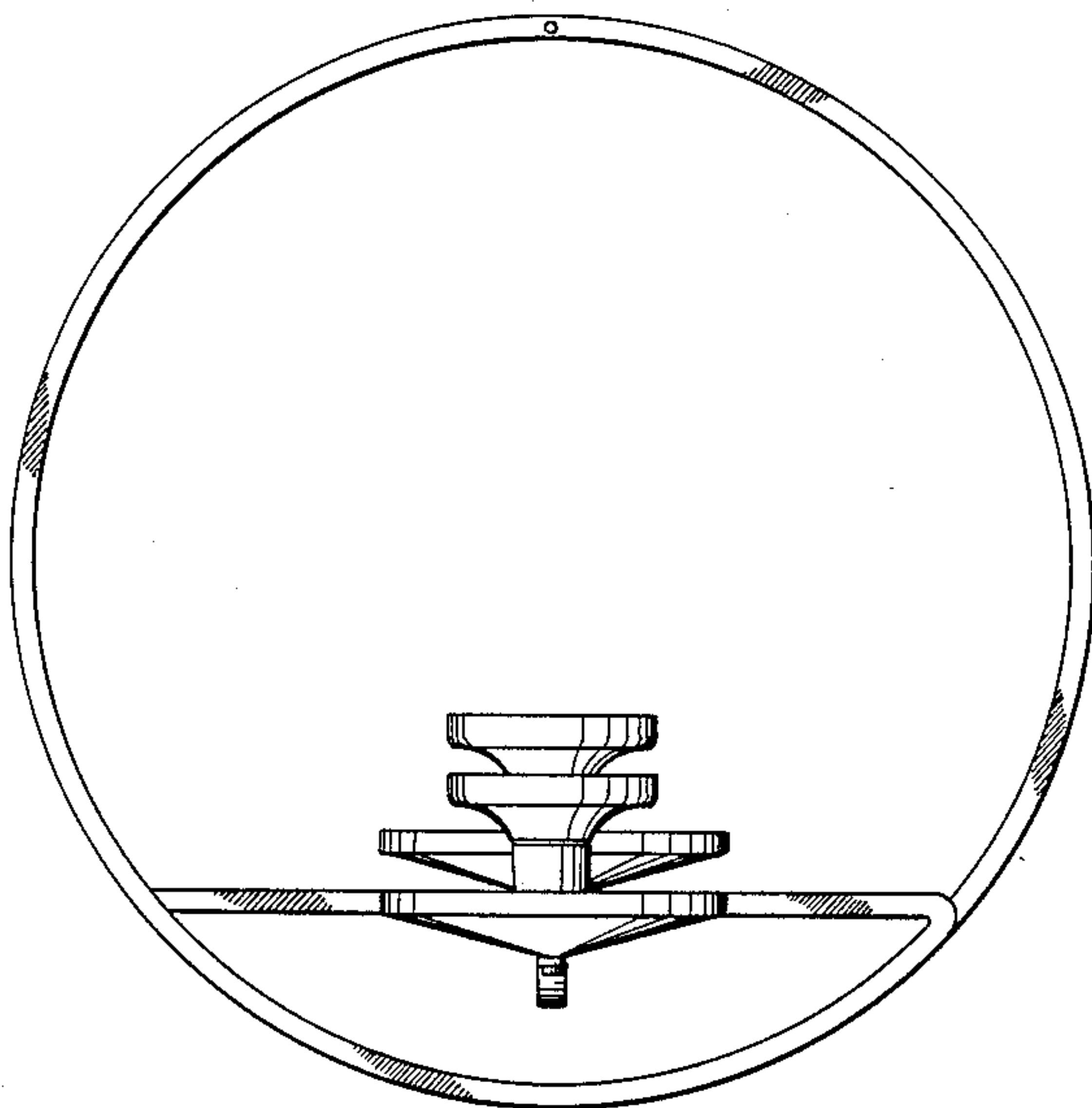
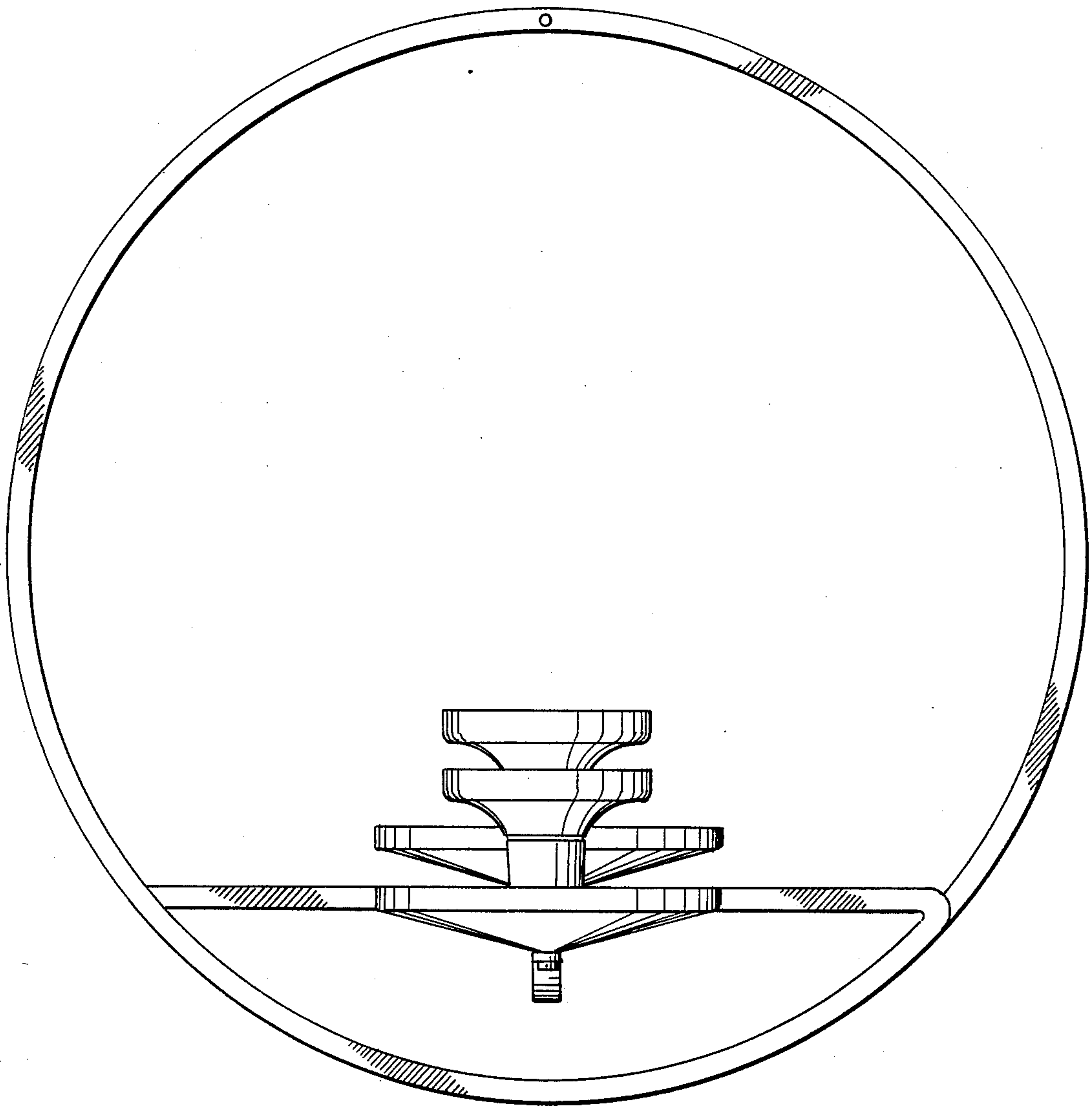


FIG. 1



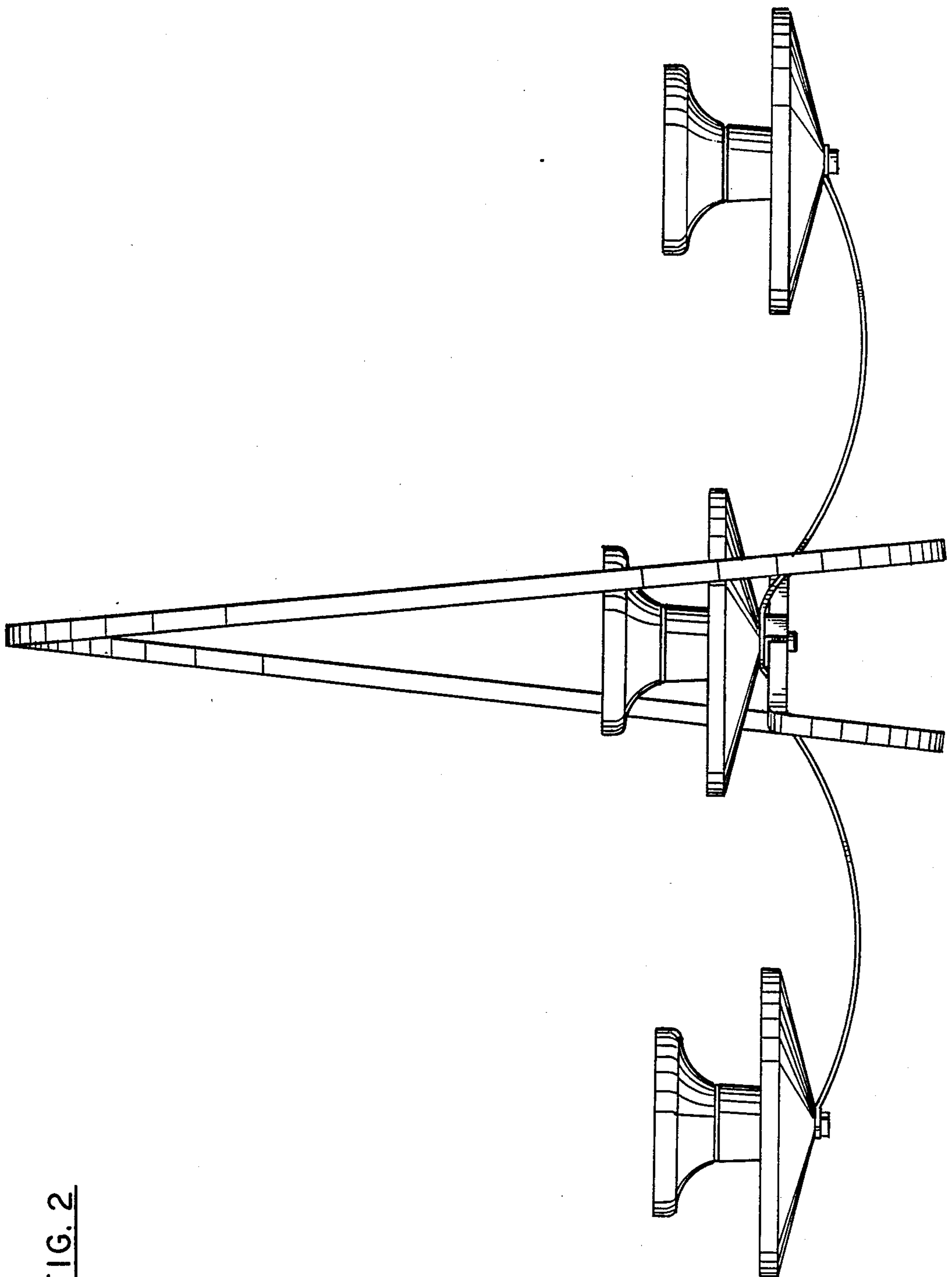


FIG. 2

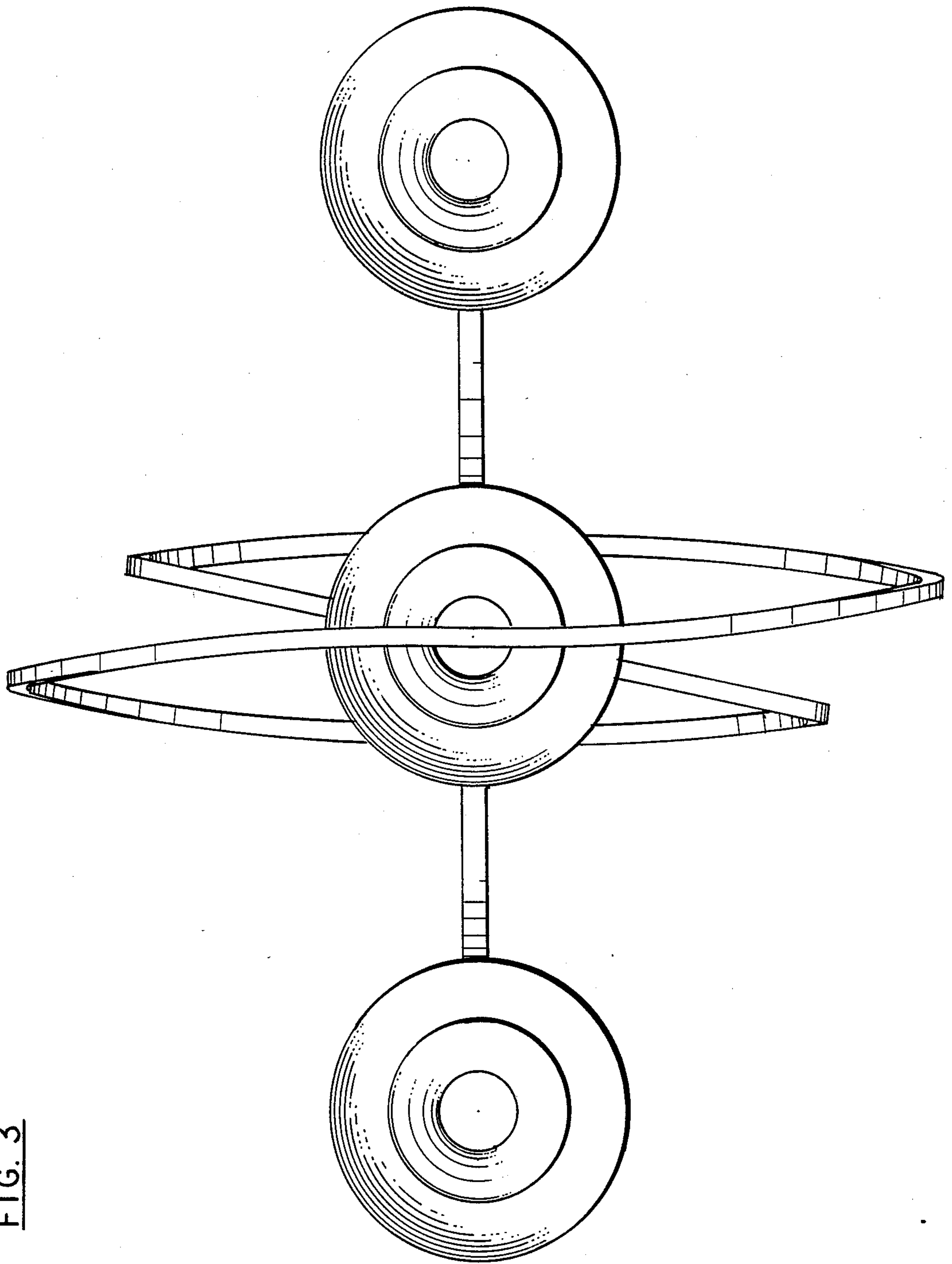


FIG. 3

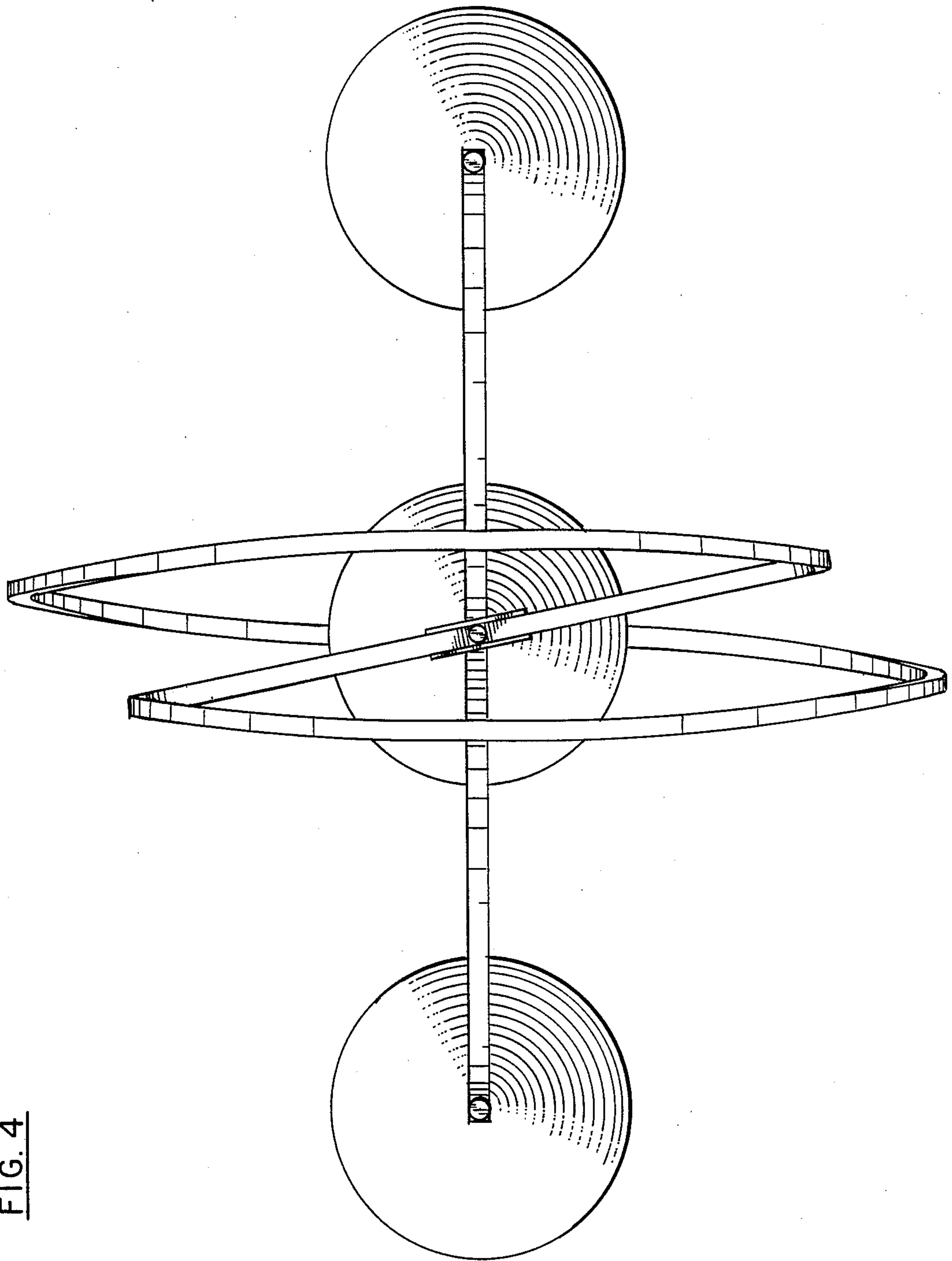


FIG. 4