

[54] **CHAIR**

[75] **Inventor: Just B. Meyer, Rhenen, Netherlands**

[73] **Assignee: Kembo B.V., Veenendaal, Netherlands**

[**] **Term: 14 Years**

[21] **Appl. No.: 920,307**

[22] **Filed: Oct. 17, 1986**

[52] **U.S. Cl. D6/379; D6/375**

[58] **Field of Search D6/379, 380, 339, 374**

[56] **References Cited**

U.S. PATENT DOCUMENTS

- D. 233,966 12/1974 Morrison et al. D6/375
- D. 235,712 7/1975 Layton D6/374
- D. 258,706 3/1981 Lübke D6/379
- D. 264,777 6/1982 Gageby D6/374

OTHER PUBLICATIONS

Schoner Wohnen, Jan. 1984, p. 40, Armchair bottom center.

Interiors, Feb. 1985, p. 130, Chair top center.

Primary Examiner—Bruce W. Dunkins

Assistant Examiner—A. S. Hunt

Attorney, Agent, or Firm—Thomas E. Sisson

[57] **CLAIM**

The ornamental design for a chair as shown, and described.

DESCRIPTION

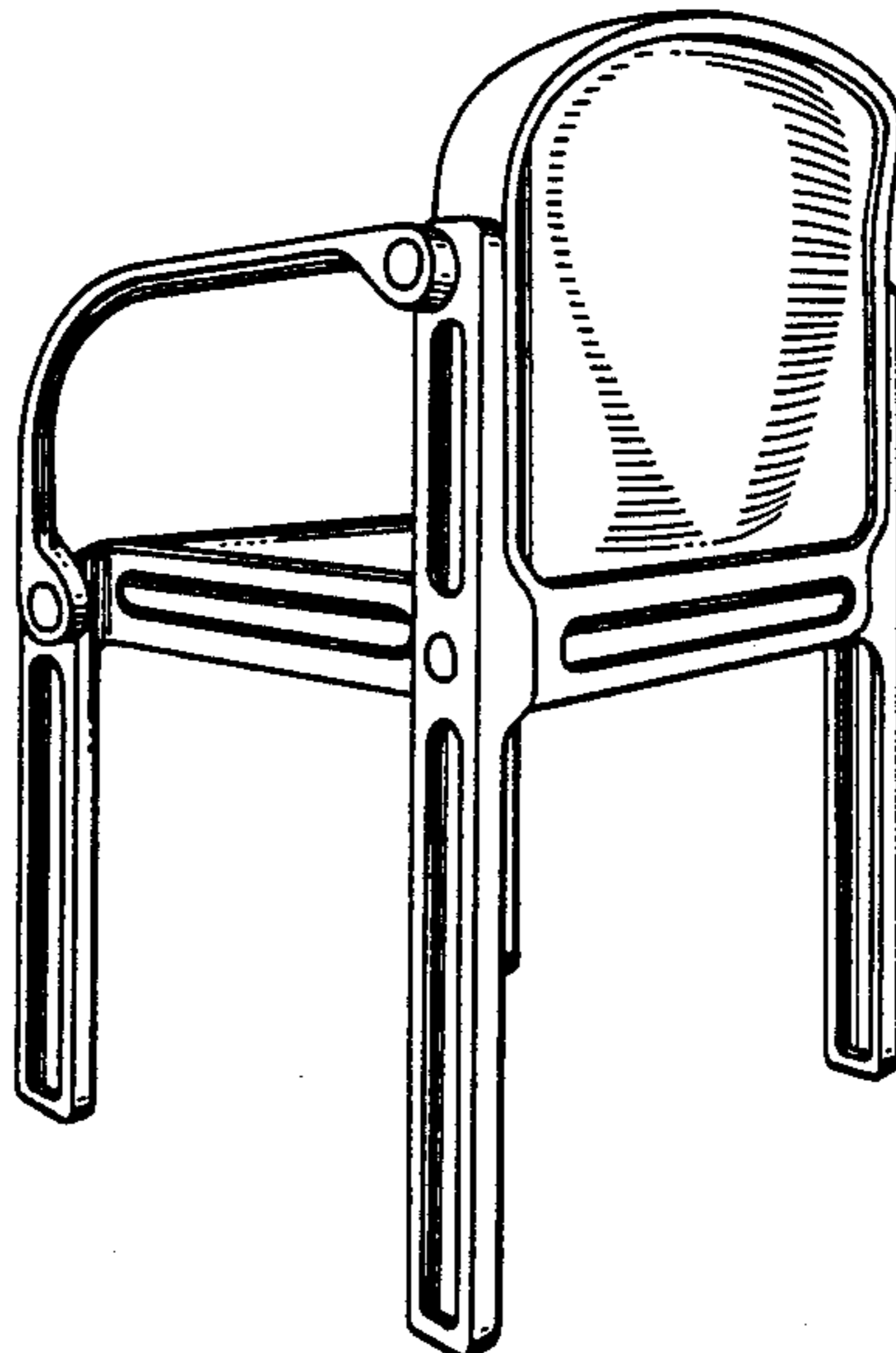
FIG. 1 is a front view of a chair showing my new design;

FIG. 2 is a rear view;

FIG. 3 is a side view, the opposite side being a mirror image thereof; and

FIG. 4 is a side perspective view of a chair, showing a second embodiment of my design wherein the armrests have been omitted, and

FIG. 5 is a rear side perspective view of a chair showing my new design.



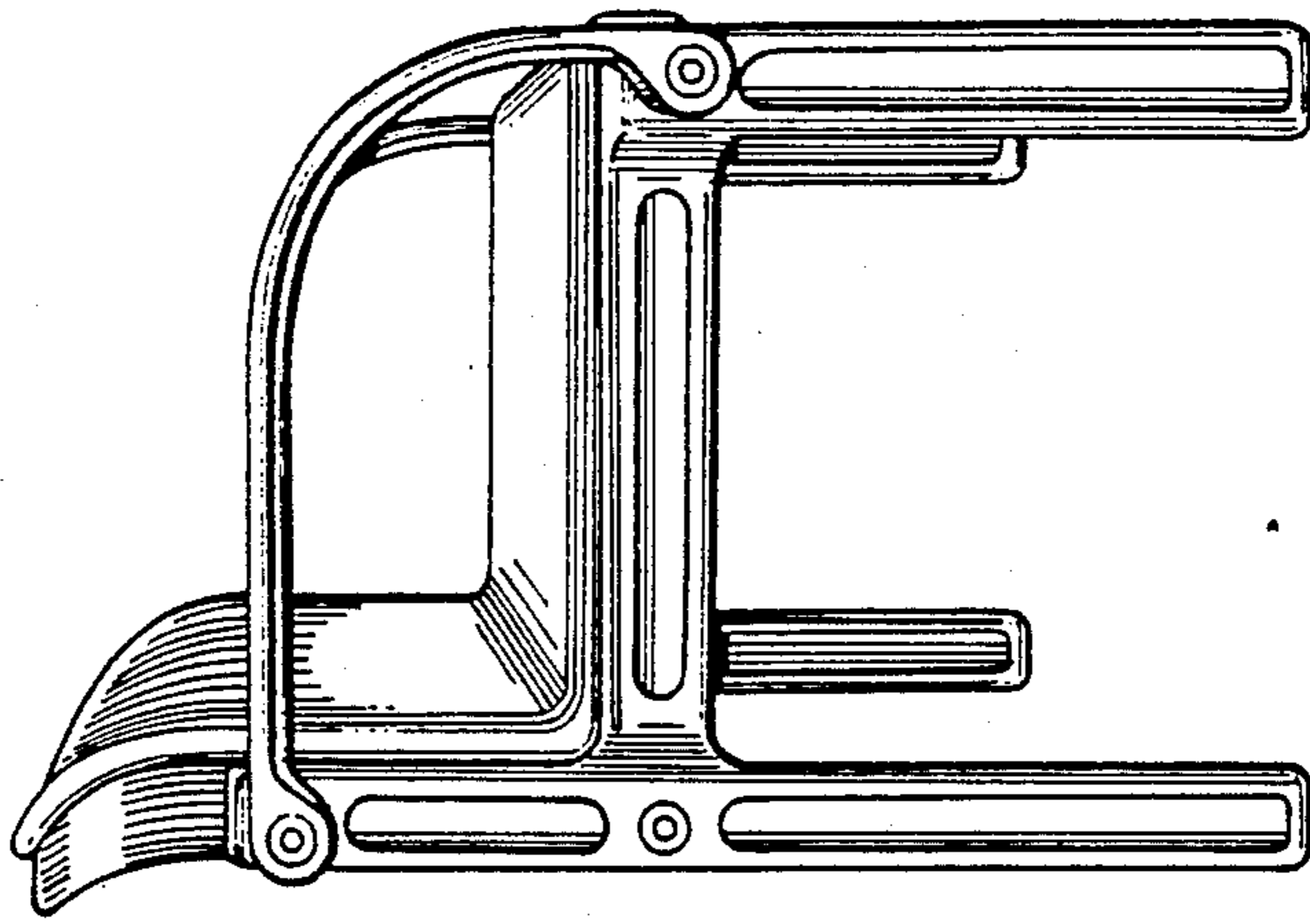


FIG: 3.

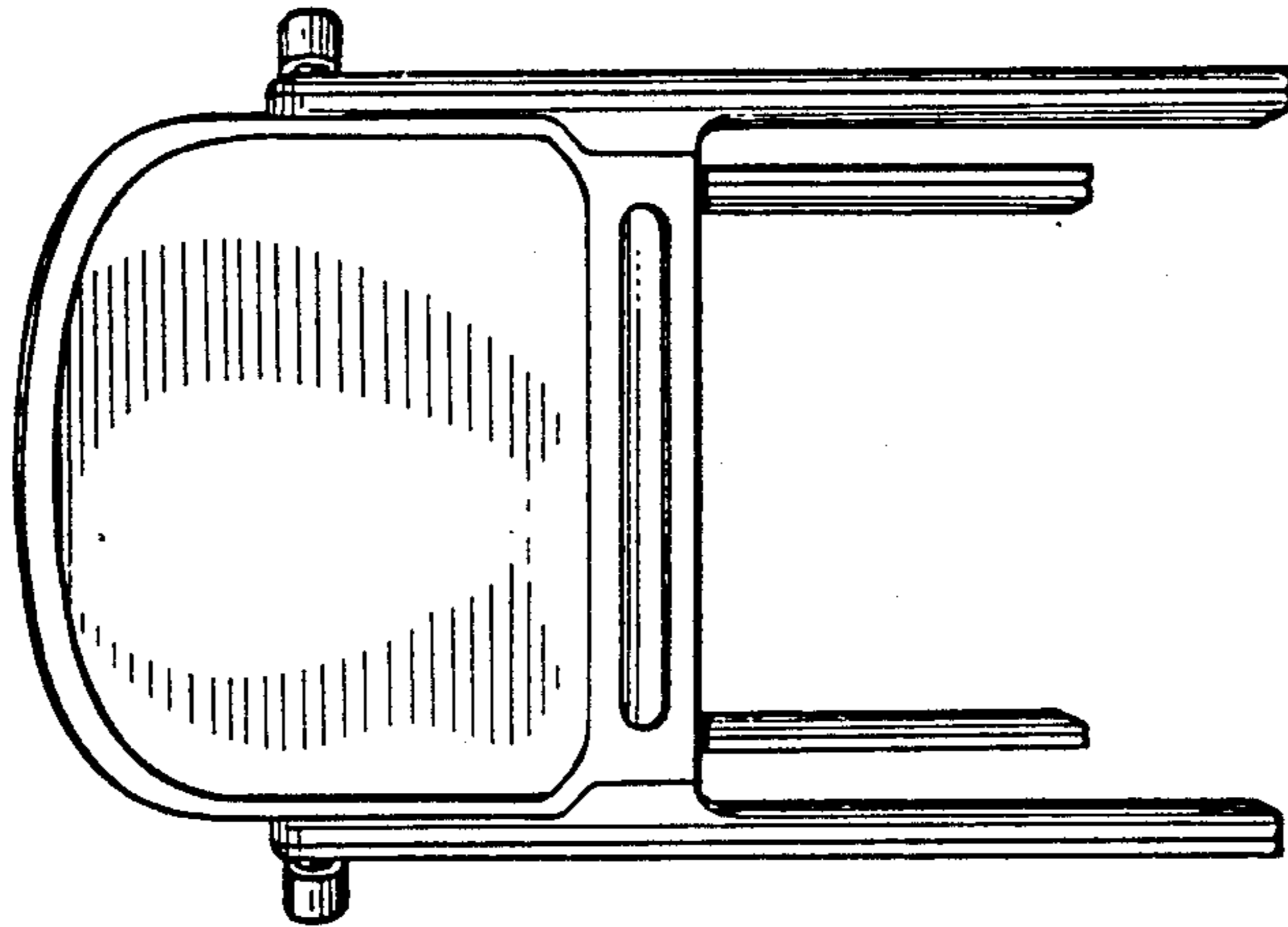


FIG: 2.

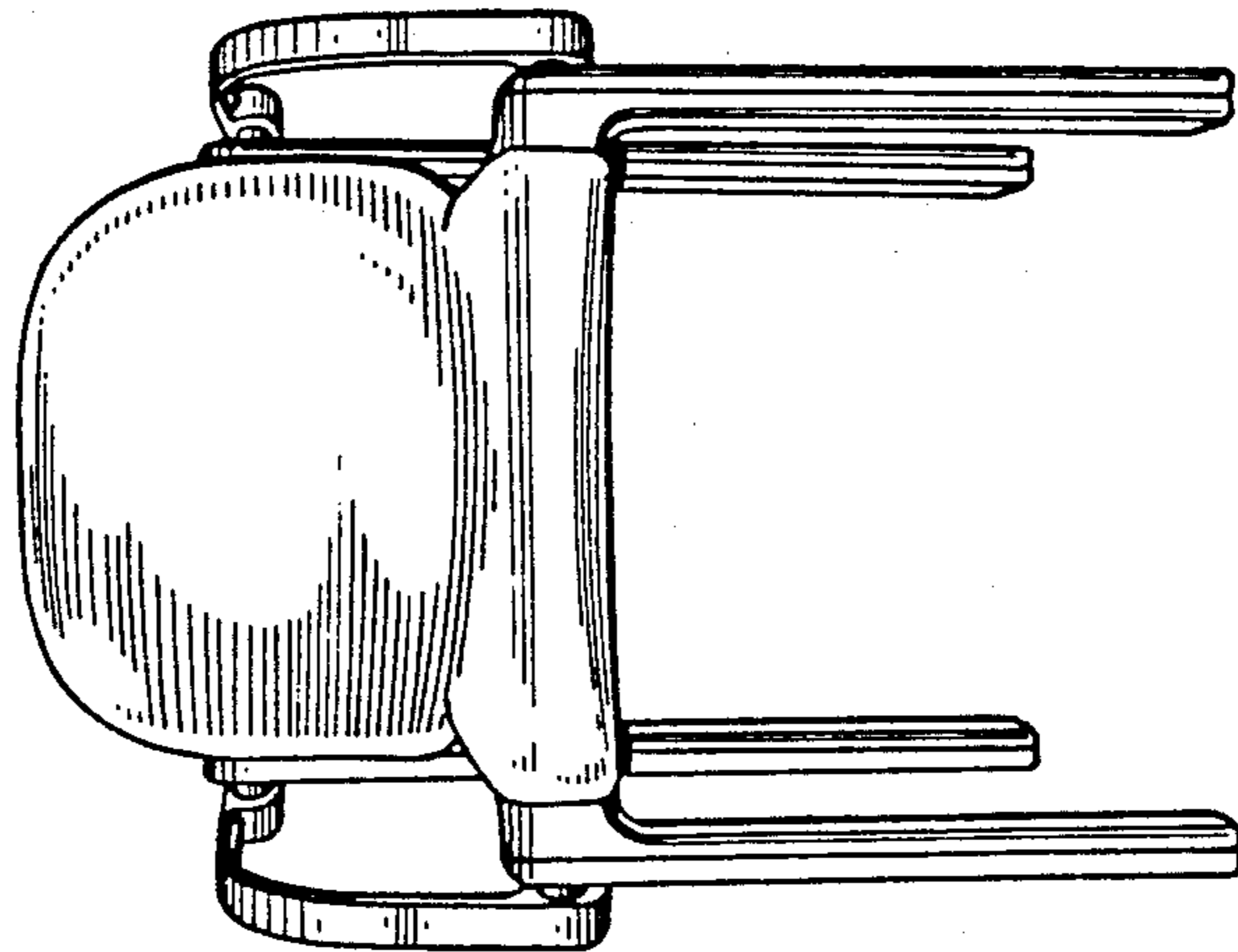


FIG: 1.

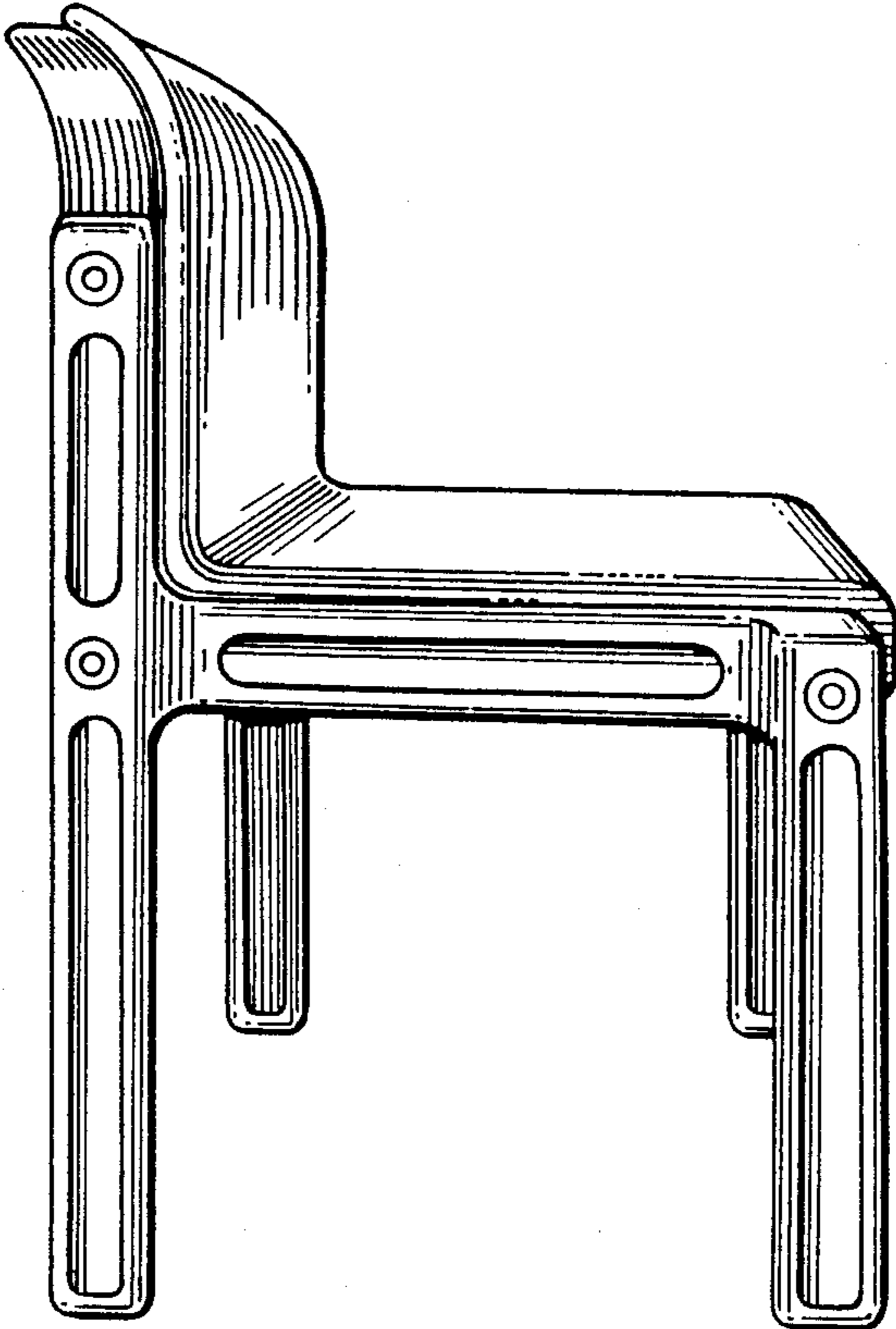


FIG. 4.

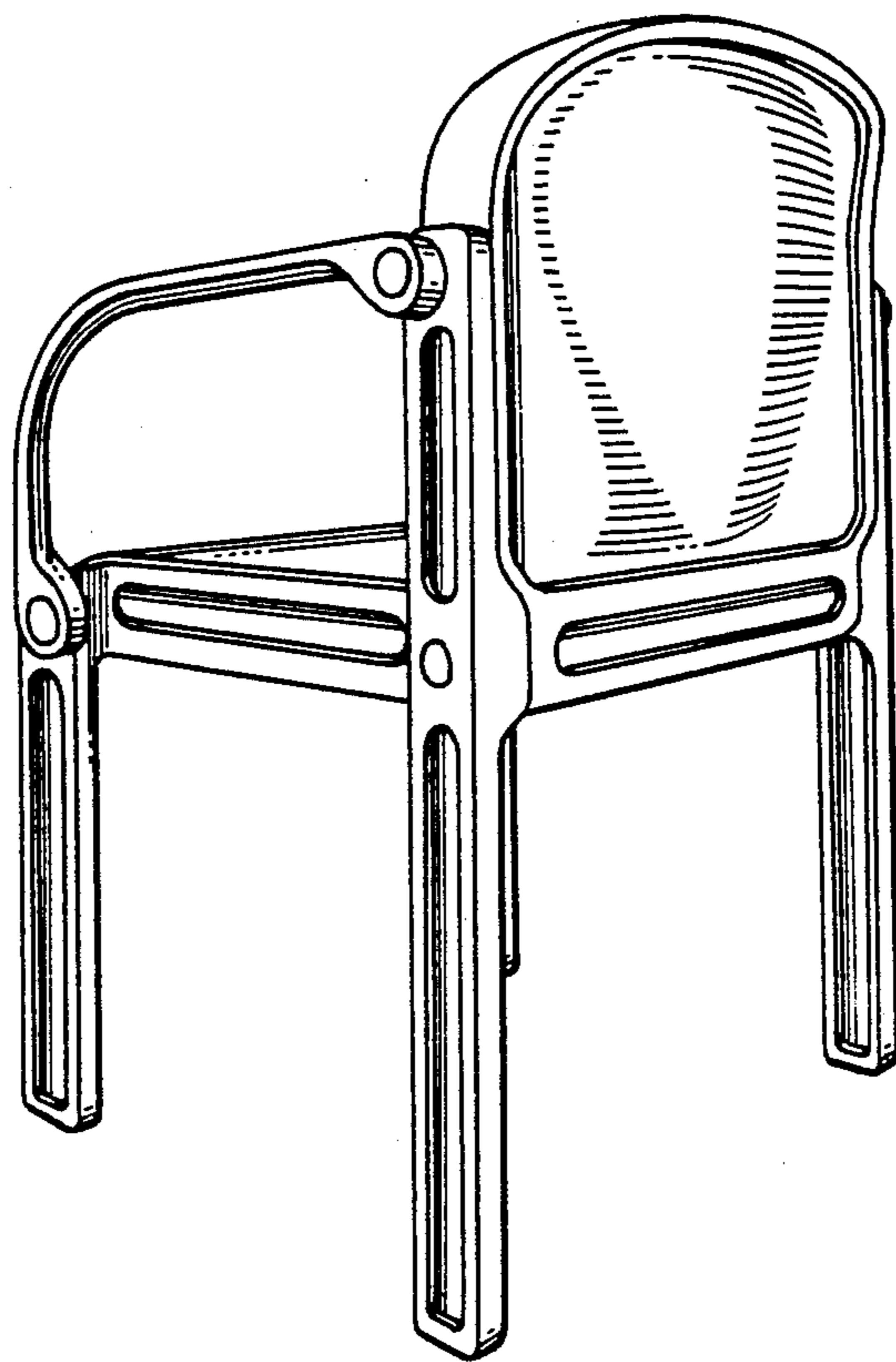


FIG. 5.