

[54] CHAIR

[75] Inventor: Richard Frinier, Long Beach, Calif.

[73] Assignee: Brown Jordan Company, El Monte, Calif.

[*] Notice: The portion of the term of this patent subsequent to Jul. 5, 2002 has been disclaimed.

[**] Term: 14 Years

[21] Appl. No.: 752,242

[22] Filed: Jul. 3, 1985

[52] U.S. Cl. D6/374; D6/370

[58] Field of Search D6/334, 360, 361, 370, D6/371, 372, 373, 375, 379, 380; 297/440, 445

[56] References Cited

U.S. PATENT DOCUMENTS

D. 244,109	4/1977	Zola	D6/379	X
D. 279,243	6/1985	Van deminden	D6/379	X
D. 280,474	9/1985	Van deminden	D6/370	X
D. 286,472	11/1986	Arthur, Jr.	D6/379	

OTHER PUBLICATIONS

Brown Jordan ©1976, p. 45, "Kantan" Group, Chair, No. 1140-5000.

Primary Examiner—Bruce W. Dunkins
Attorney, Agent, or Firm—Christie, Parker & Hale

[57] CLAIM

The ornamental design for a chair, as shown and described.

DESCRIPTION

FIG. 1 is a front perspective view of a chair showing my design;
 FIG. 2 is a side elevational view of the chair;
 FIG. 3 is a front elevational view of the chair;
 FIG. 4 is a rear elevational view of the chair;
 FIG. 5 is a top plan view of the chair;
 FIG. 6 is a side elevational view of the chair similar to FIG. 2 wherein the cushions have been omitted for convenience of illustration;
 FIG. 7 is a front elevational view of the chair similar to FIG. 3 wherein the cushions have been omitted for convenience of illustration;
 FIG. 8 is a rear elevational view of the chair similar to FIG. 4 wherein the cushions have been omitted for convenience of illustration;
 FIG. 9 is a top plan view of the chair similar to FIG. 5 wherein the cushions have been omitted for convenience of illustration.

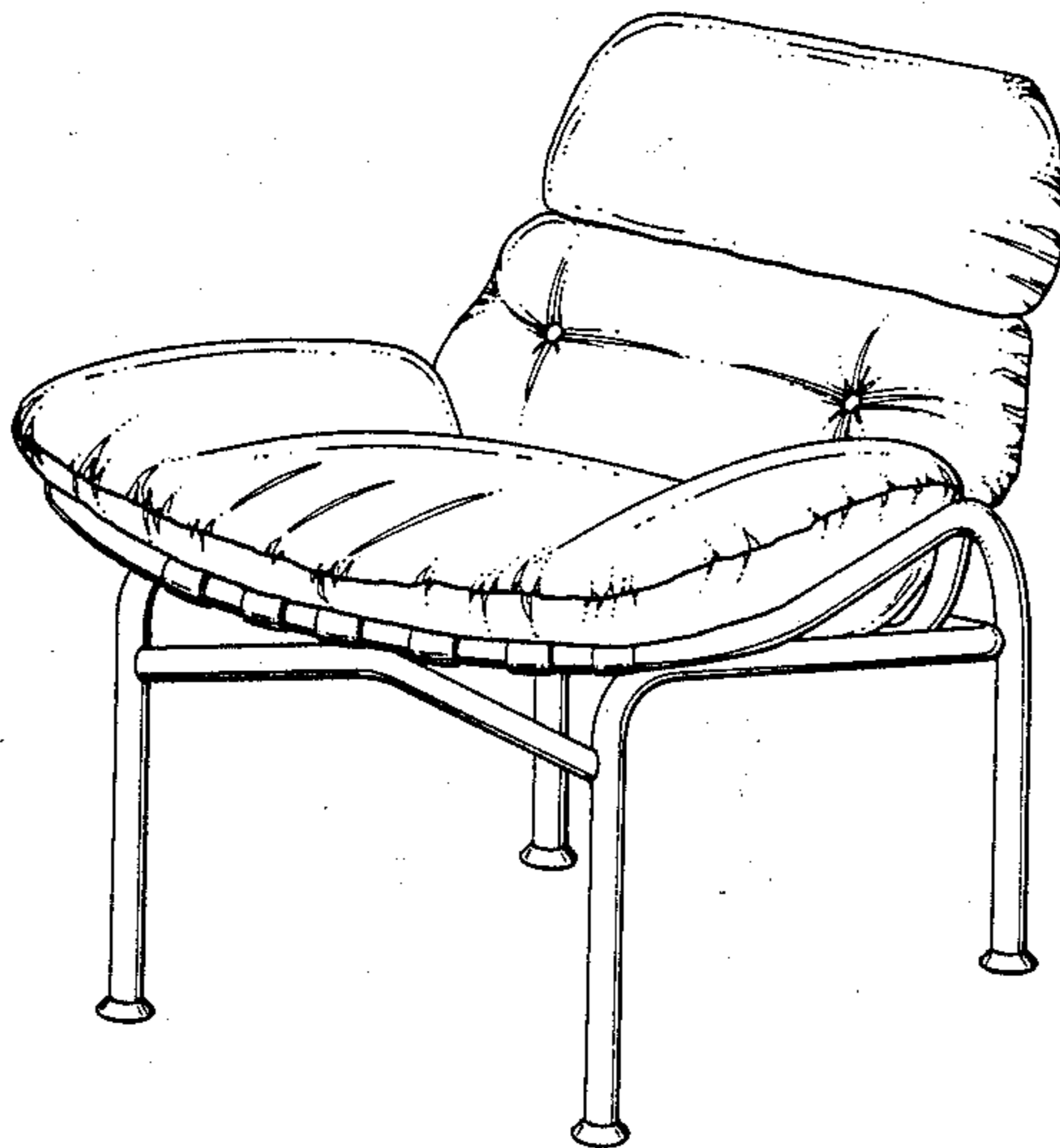


Fig. 1.

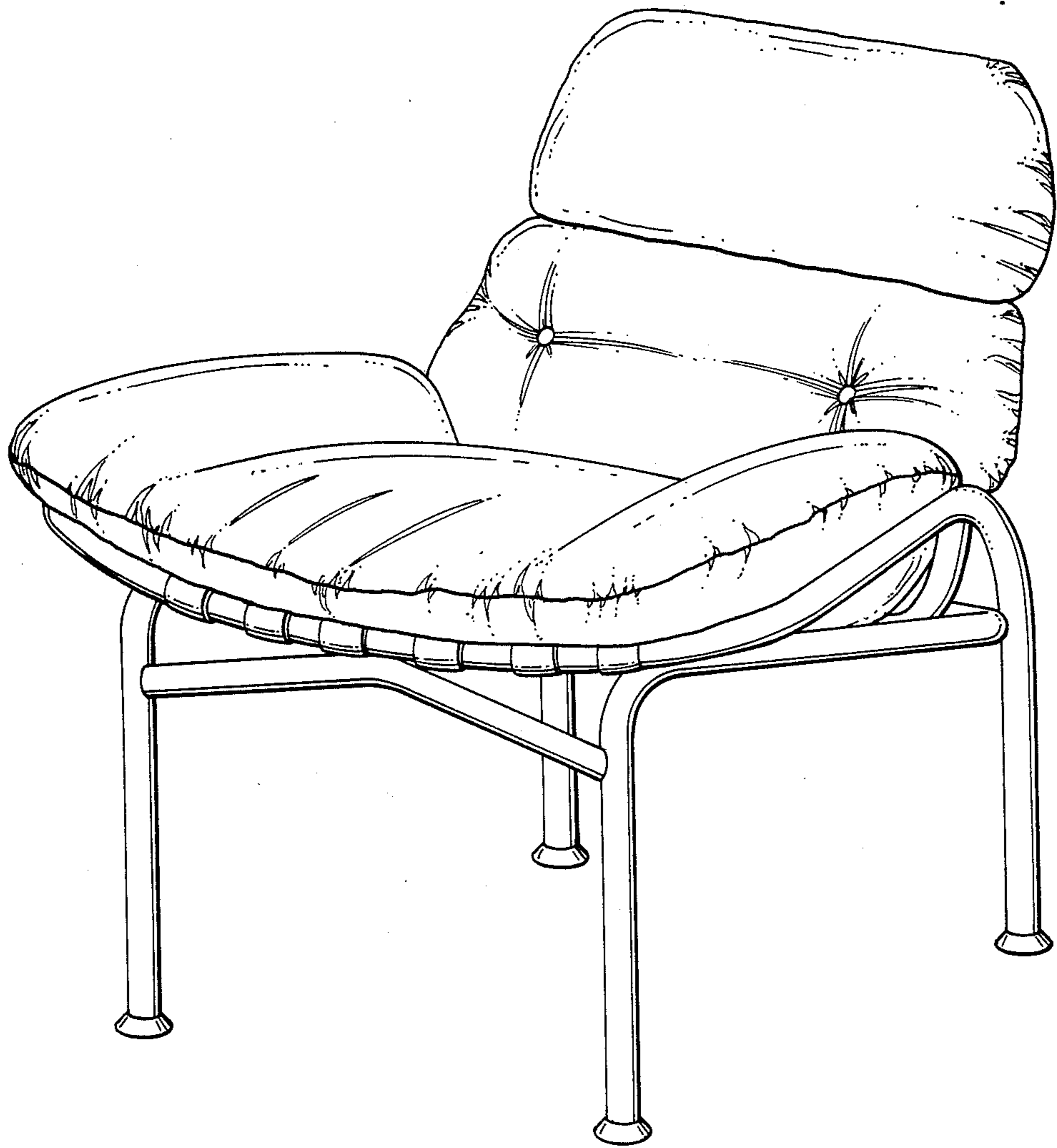


Fig. 6.

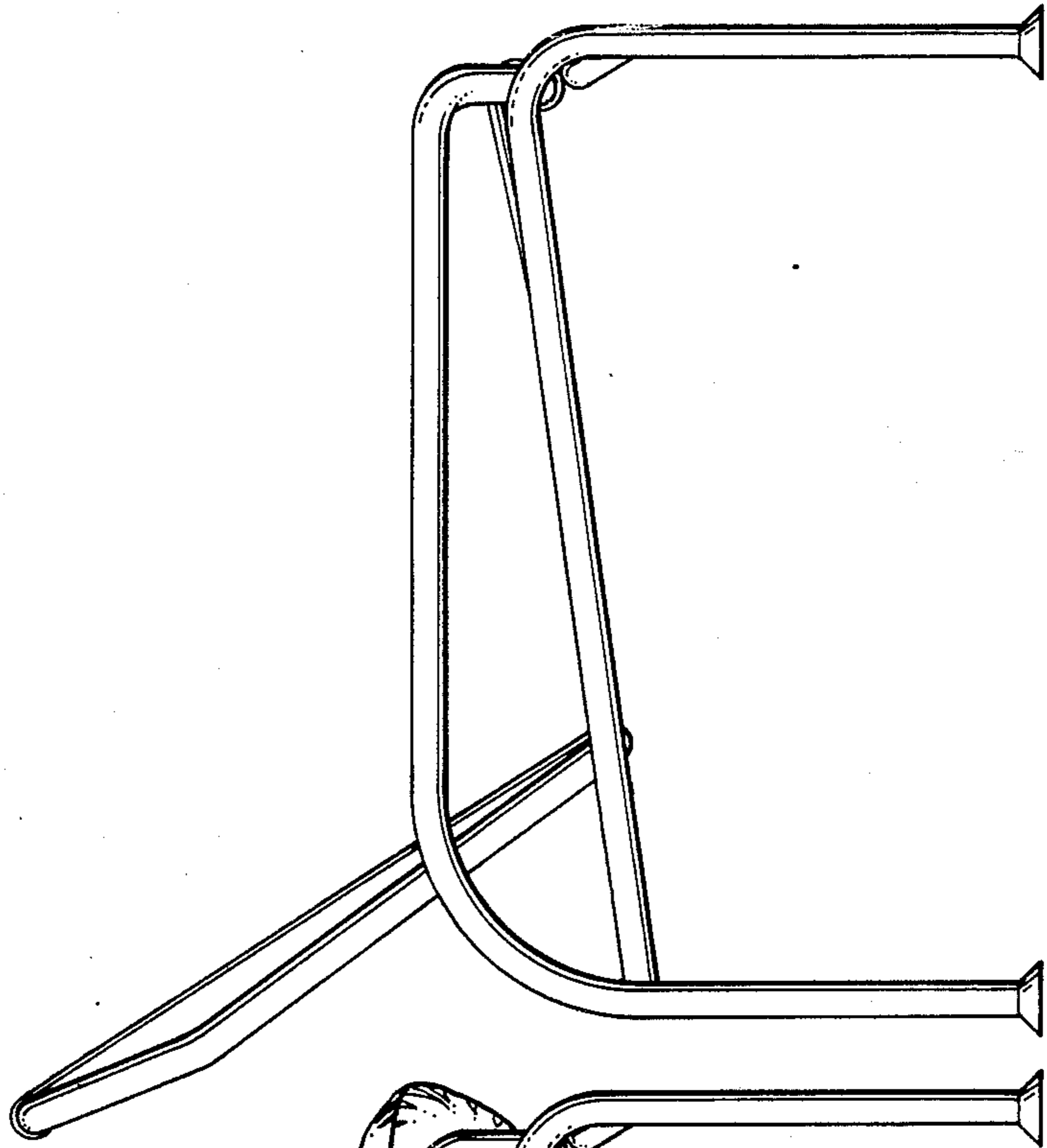


Fig. 2.

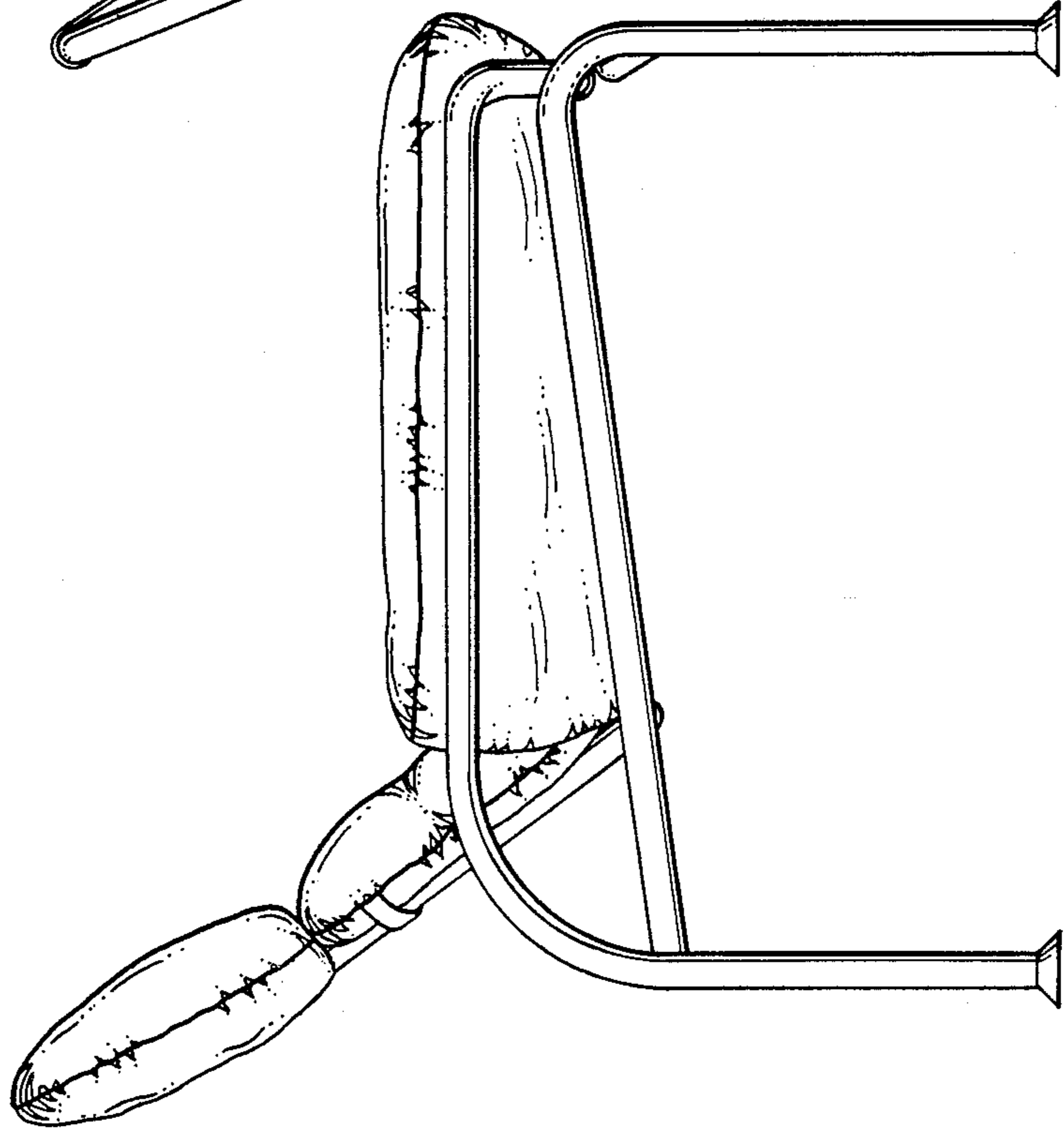


Fig. 7.

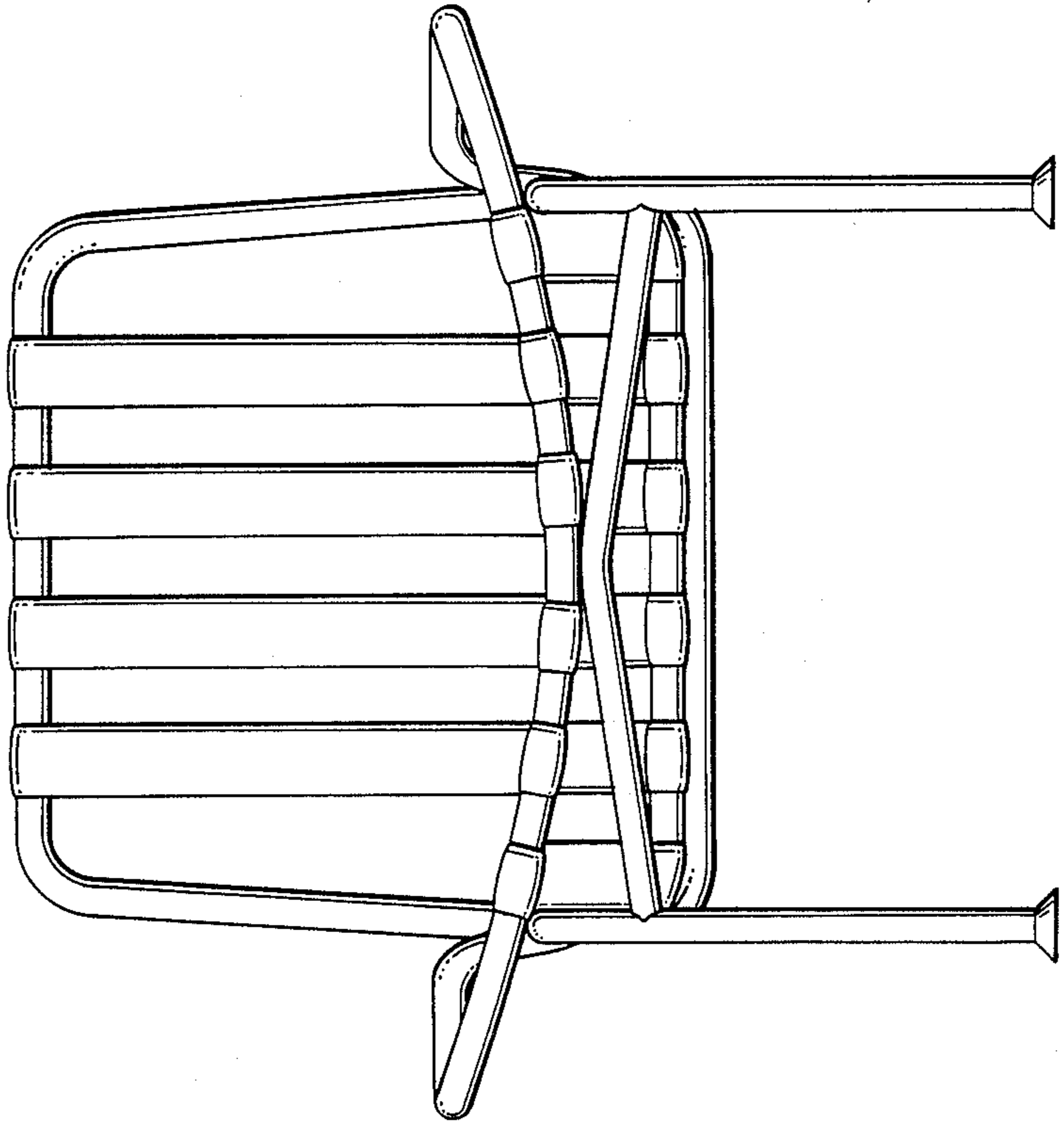


Fig. 3.

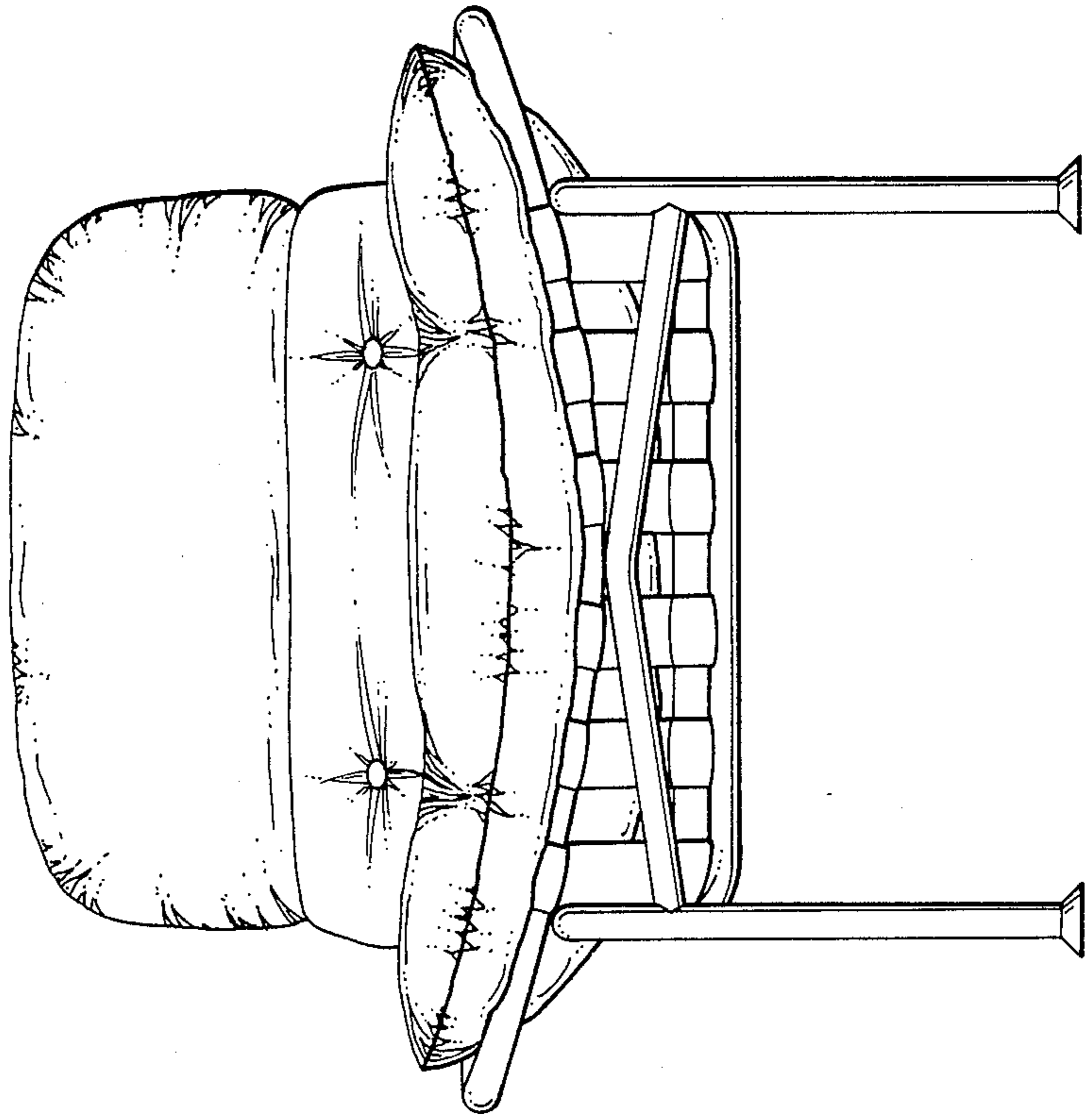


Fig. 8.

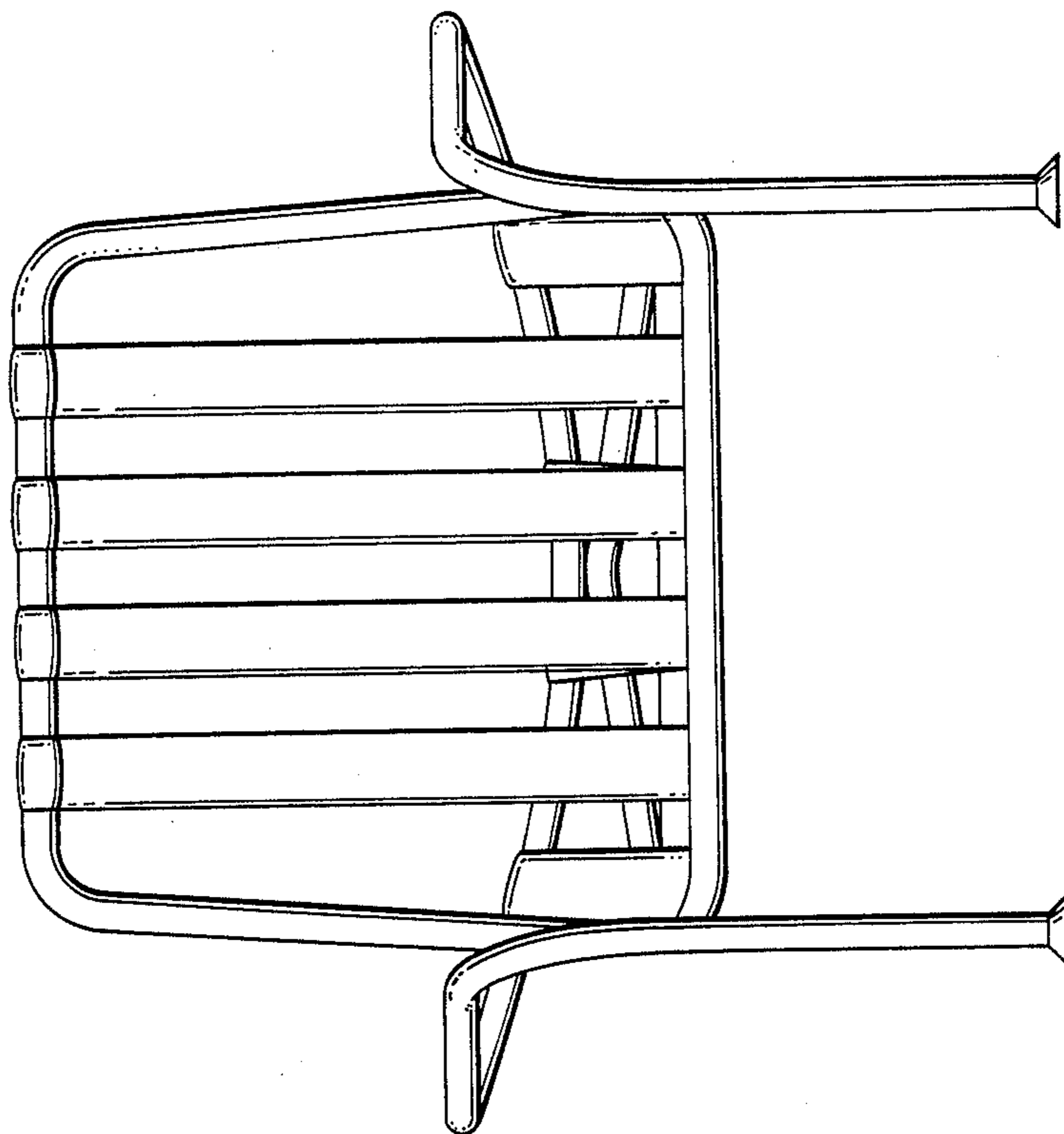


Fig. 7.

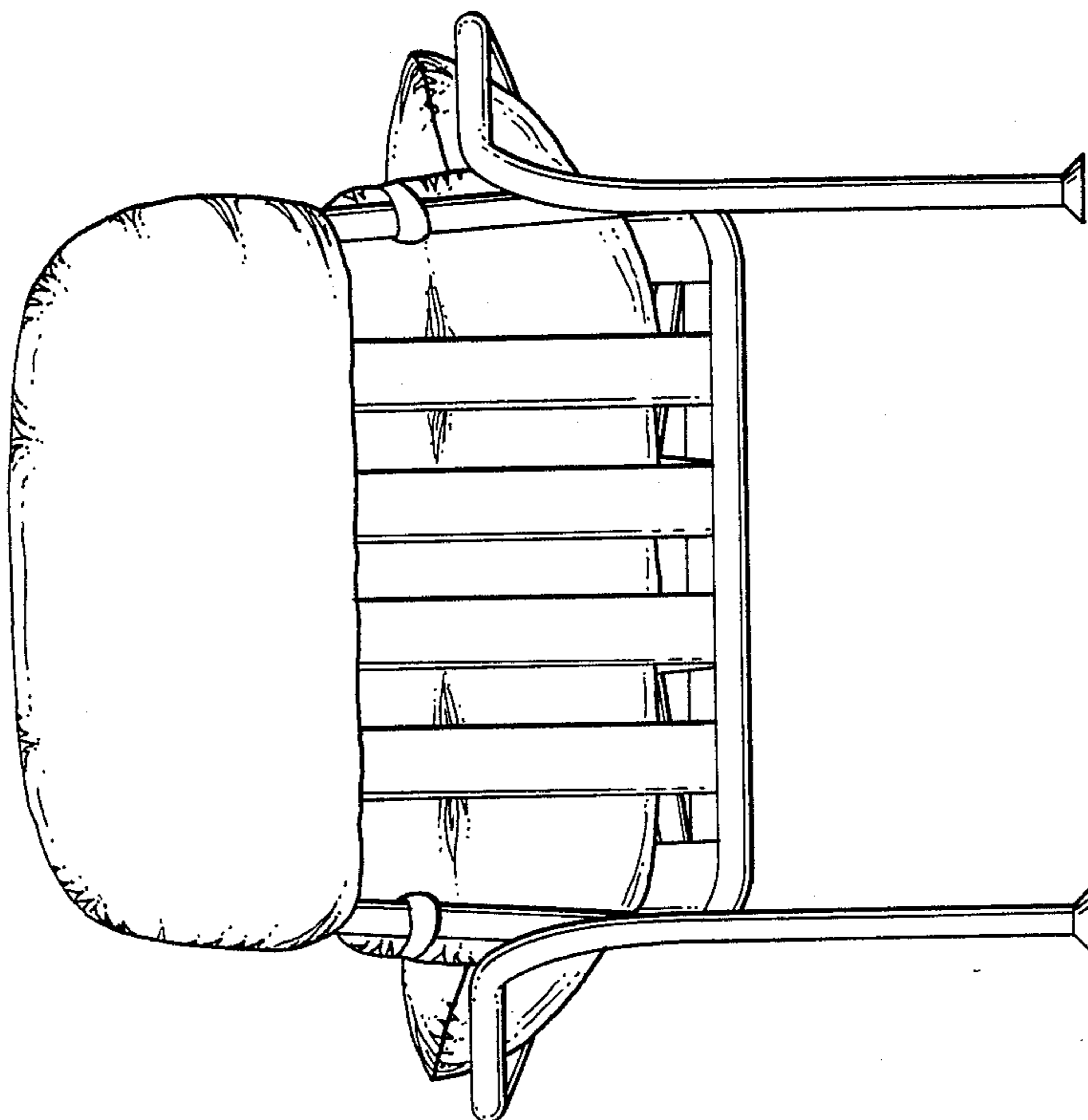


Fig. 9.

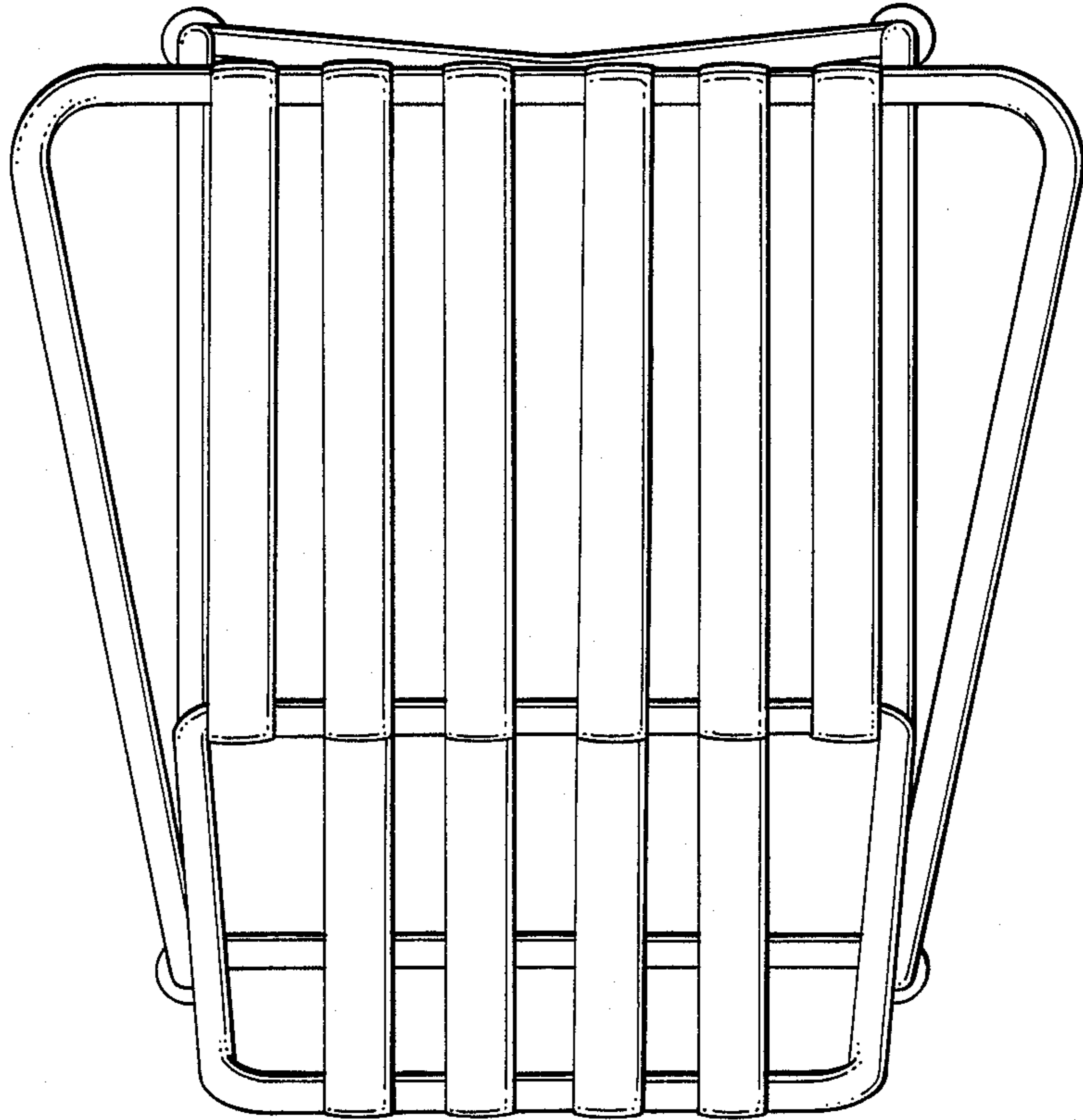


Fig. 5.

