

- [54] ADJUSTABLE ARMCHAIR
- [75] Inventor: Michel Paing, Envermeu, France
- [73] Assignee: Polyconfort, S.A., Envermeu, France
- [\*\*] Term: 14 Years
- [21] Appl. No.: 899,938
- [22] Filed: Aug. 25, 1986
- [30] Foreign Application Priority Data  
Feb. 25, 1986 [FR] France ..... 174
- [52] U.S. Cl. .... D6/368
- [58] Field of Search ..... D6/367, 368, 379;  
297/18, 24, 25, 344

3,822,913 7/1974 Raver ..... 297/18  
4,273,379 6/1981 Borichevsky ..... D6/368

OTHER PUBLICATIONS

Interiors, Jan. 1978, p. 31, Chair by Cado.  
Schoner Wohnen, May 1984, p. 280-D, Armchair at left.

Primary Examiner—Bruce W. Dunkins  
Assistant Examiner—A. S. Hunt  
Attorney, Agent, or Firm—Gottlieb, Rackman & Reisman

[56] References Cited  
U.S. PATENT DOCUMENTS

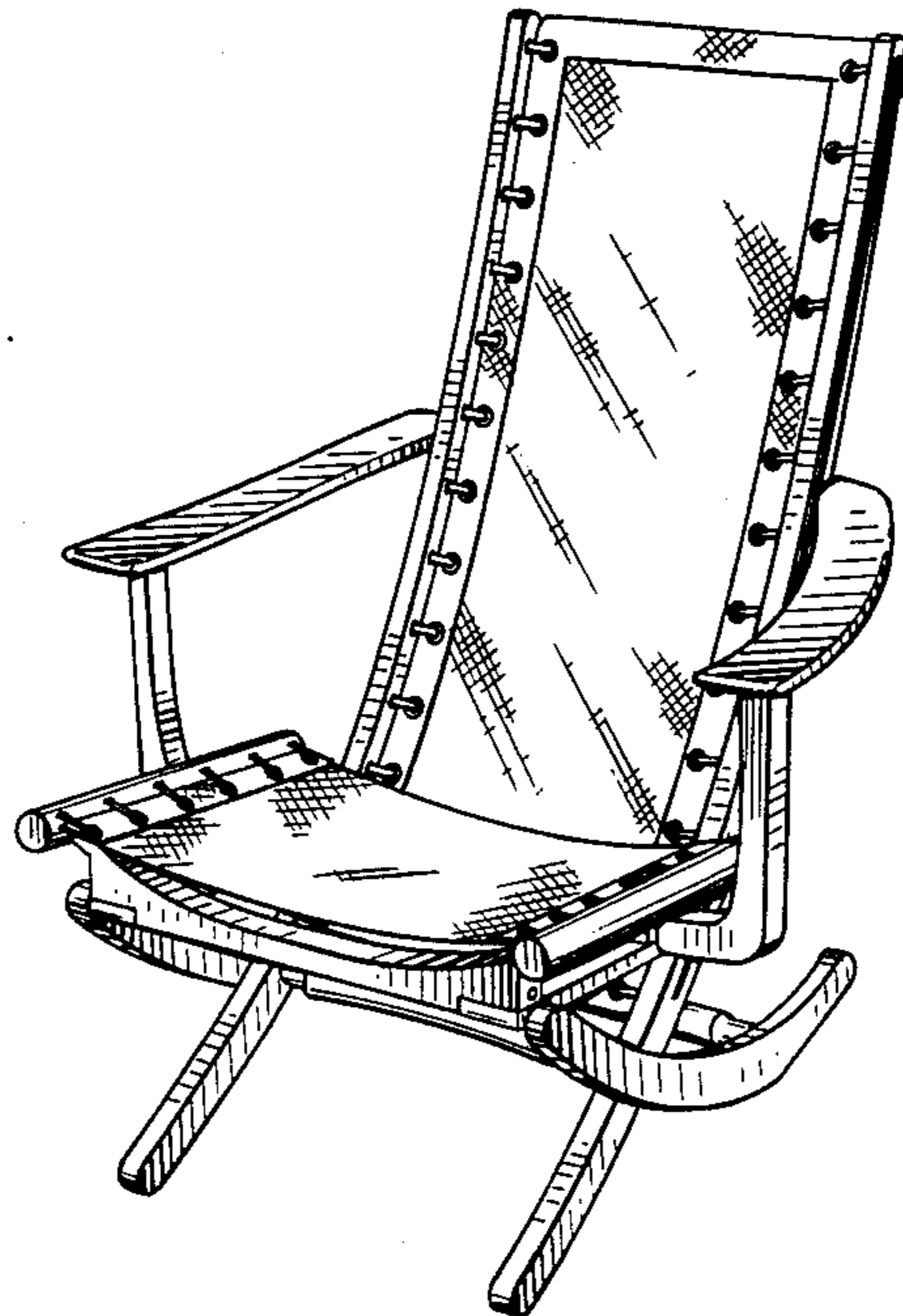
- D. 221,146 7/1971 McComas ..... D6/368
- 1,694,933 12/1928 Walker et al. .... D6/368
- 1,975,689 10/1934 Hall ..... 297/18
- 2,741,298 4/1956 Roberts ..... D6/368
- 3,112,953 12/1963 Raver ..... 297/25

[57] CLAIM

The ornamental design for an adjustable armchair, as shown and described.

DESCRIPTION

FIG. 1 is a front perspective view of an adjustable armchair showing my design;  
FIG. 2 is a rear perspective view of the armchair; and  
FIG. 3 is a front perspective view of an adjustable armchair showing a second embodiment of my design, adjusted to an alternate position.



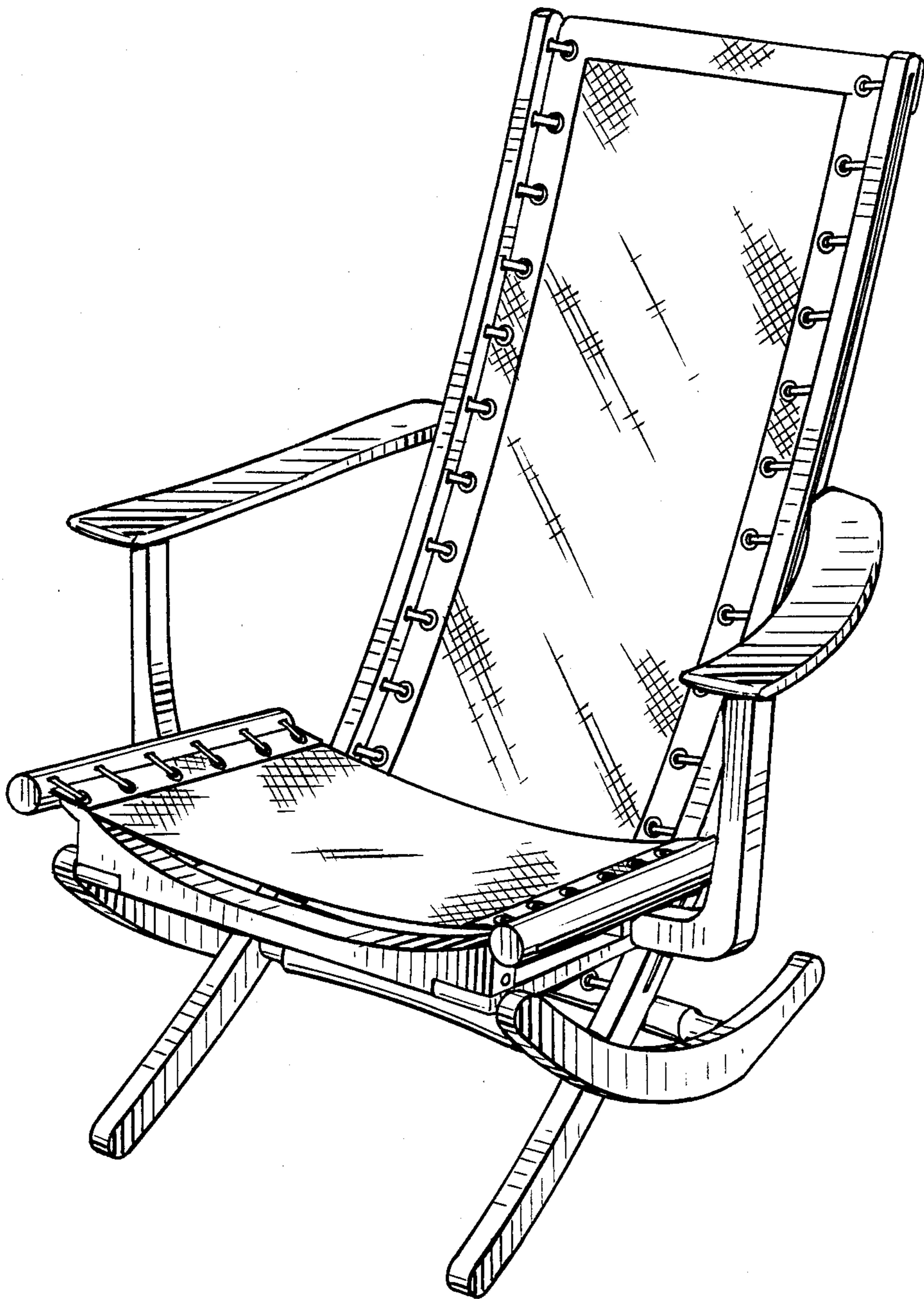
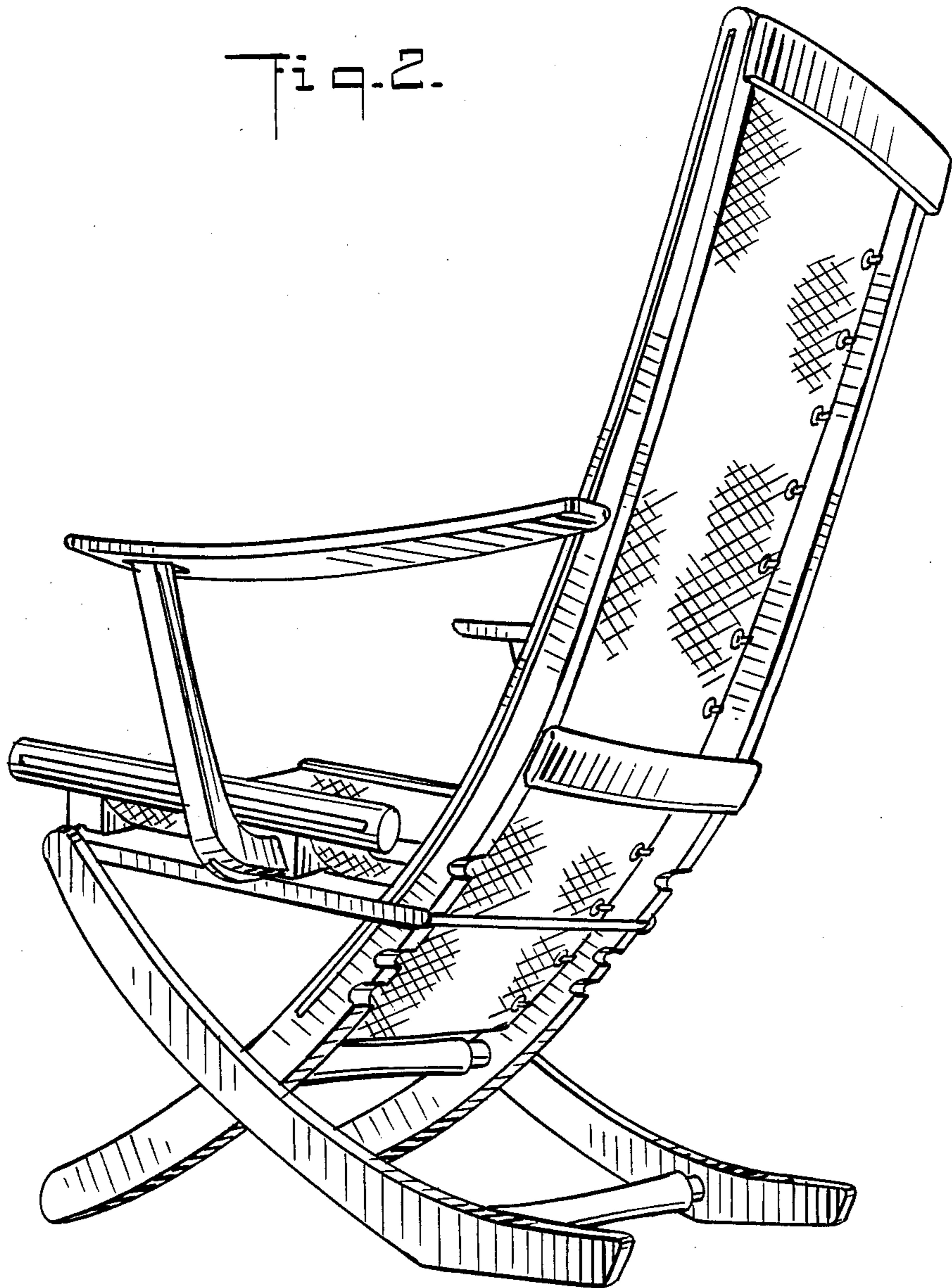


Fig. 1.

Fig. 2.



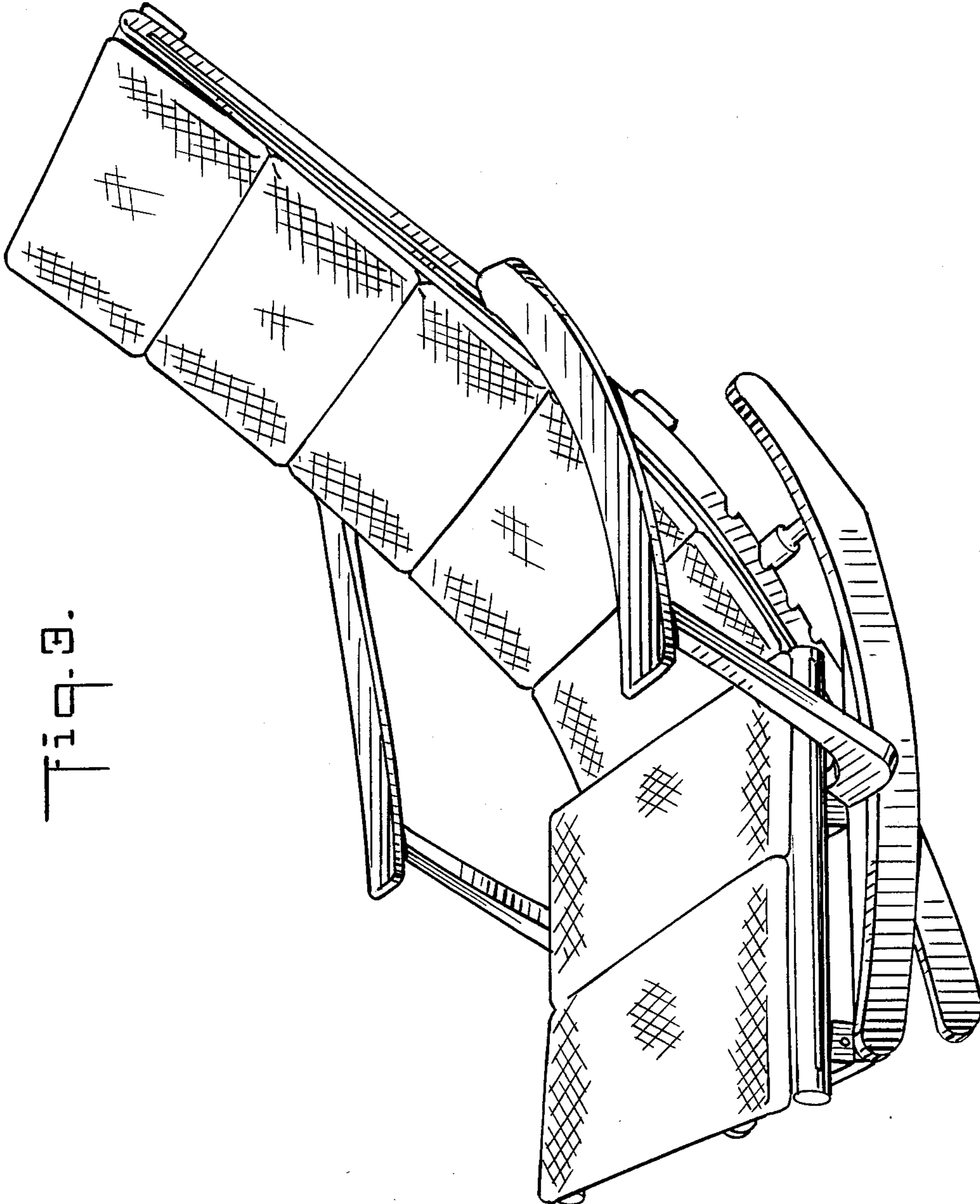


Fig. 3.