

[54] GARMENT HANGER

[75] Inventor: Ronald M. Wilson, Black Rock, Australia

[73] Assignee: Spotless Plastics Pty. Ltd., Moorabbin, Australia

[**] Term: 14 Years

[21] Appl. No.: 54,815

[22] Filed: May 27, 1987

[52] U.S. Cl. D6/326

[58] Field of Search D6/315, 326, 328, 318, D6/319; 211/113; 223/85, 95, 96, 92; 40/322

[56] References Cited

U.S. PATENT DOCUMENTS

D. 157,273	2/1950	Lormor	D6/319
D. 202,955	11/1965	Hanson	D6/318
D. 206,303	11/1966	Louik	D6/318
D. 243,138	1/1977	Coon	D6/326
D. 271,649	12/1983	Batts et al.	D6/328
2,457,486	12/1948	O'Grady	223/92
3,024,953	3/1962	O'Keefe	40/322
3,946,915	3/1976	Crane	223/96
4,395,799	8/1983	Batts	D6/326
4,658,996	4/1987	Warmath	223/96

FOREIGN PATENT DOCUMENTS

2010774	7/1979	United Kingdom	40/322
2064472	6/1981	United Kingdom	223/85

Primary Examiner—B. J. Bullock

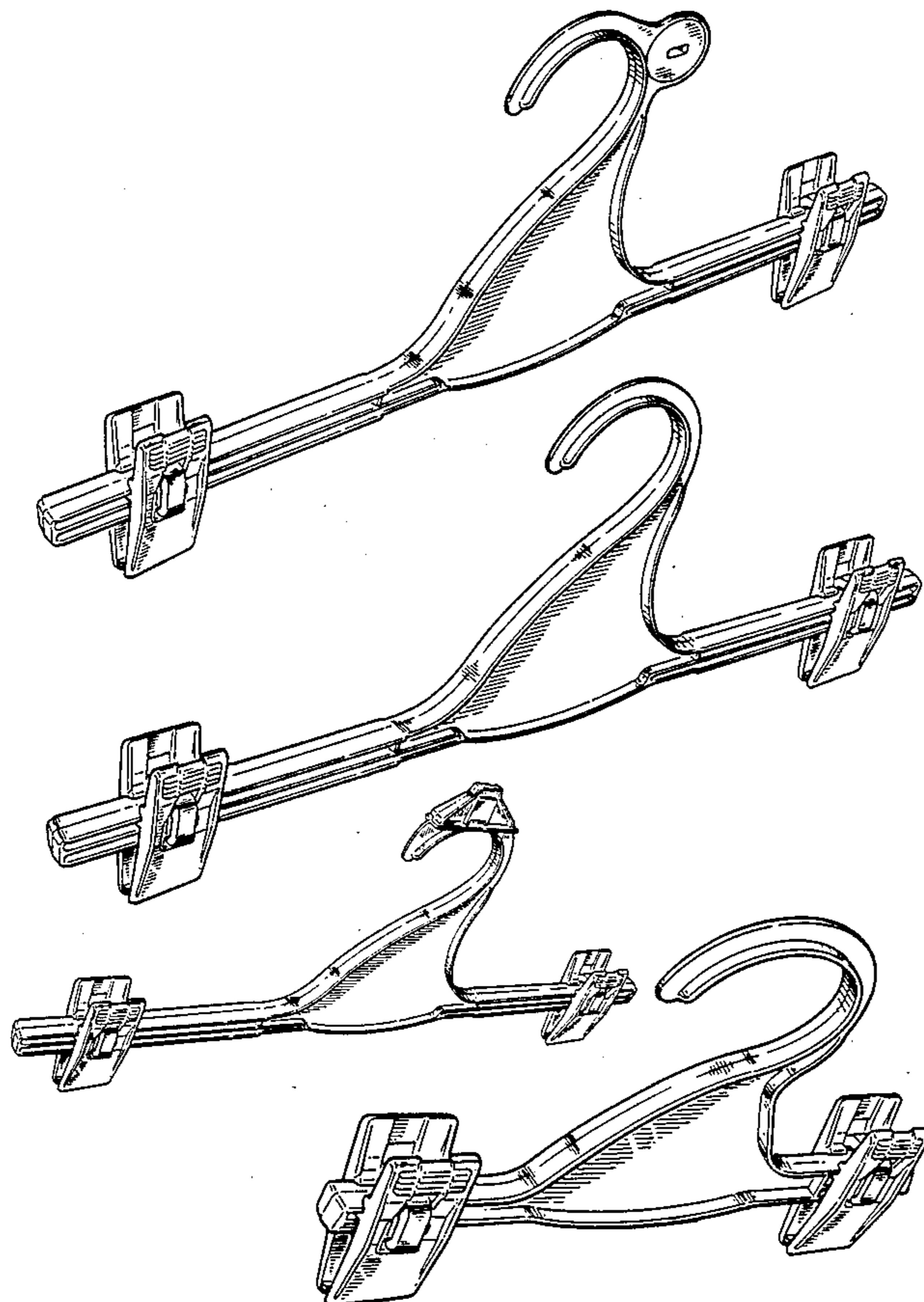
Attorney, Agent, or Firm—Dennison, Meserole, Pollack & Scheiner

[57] CLAIM

The ornamental design for a garment hanger, as shown and described.

DESCRIPTION

FIG. 1 is a front, top perspective view of a garment hanger showing my new design;
 FIG. 2 is a rear, bottom perspective view thereof;
 FIG. 3 is a front view thereof;
 FIG. 4 is a front, top perspective view of a second embodiment of the design of FIG. 1;
 FIG. 5 is a rear, bottom perspective view of FIG. 4;
 FIG. 6 is a front view of FIG. 4;
 FIG. 7 is a front, top perspective view of a third embodiment of the design of FIG. 1, the only difference between the showing of the rear in FIG. 2 being the inclusion of the cap on the hook;
 FIG. 8 is a front view of FIG. 7;
 FIG. 9 is a front, top perspective view of a fourth embodiment of the design of FIG. 1;
 FIG. 10 is a rear, bottom perspective view of FIG. 9;
 FIG. 11 is a front view of FIG. 9;
 FIG. 12 is a front, top perspective view of a fifth embodiment of the design of FIG. 1;
 FIG. 13 is a rear, bottom perspective view of FIG. 12;
 FIG. 14 is a front view of FIG. 12;
 FIG. 15 is a front, top perspective view of a sixth embodiment of the design of FIG. 1, the only difference between the showing of the rear in FIG. 10 being the inclusion of the cap on the hook;
 FIG. 16 is a front view of FIG. 15.



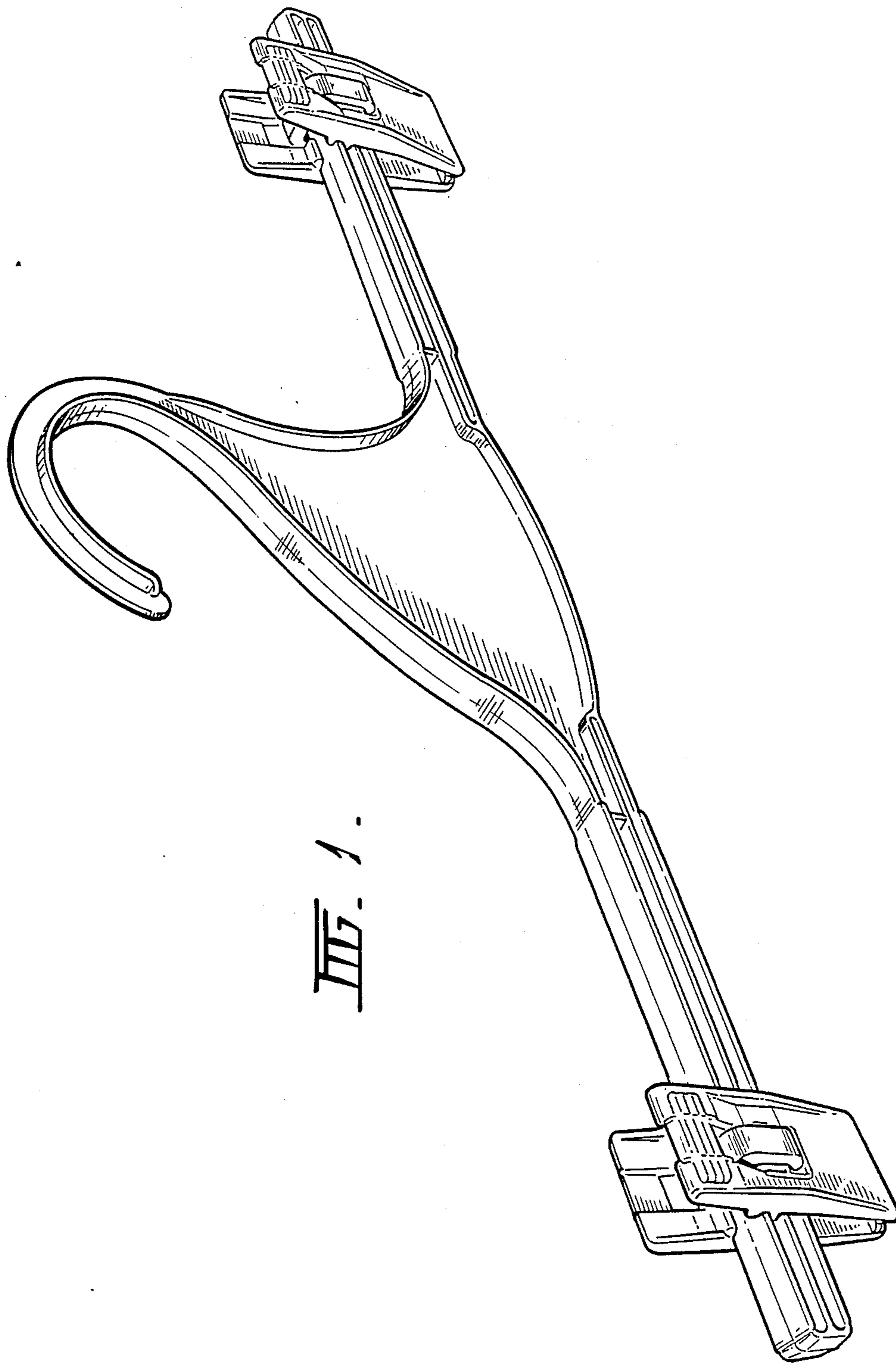


FIG. 1.

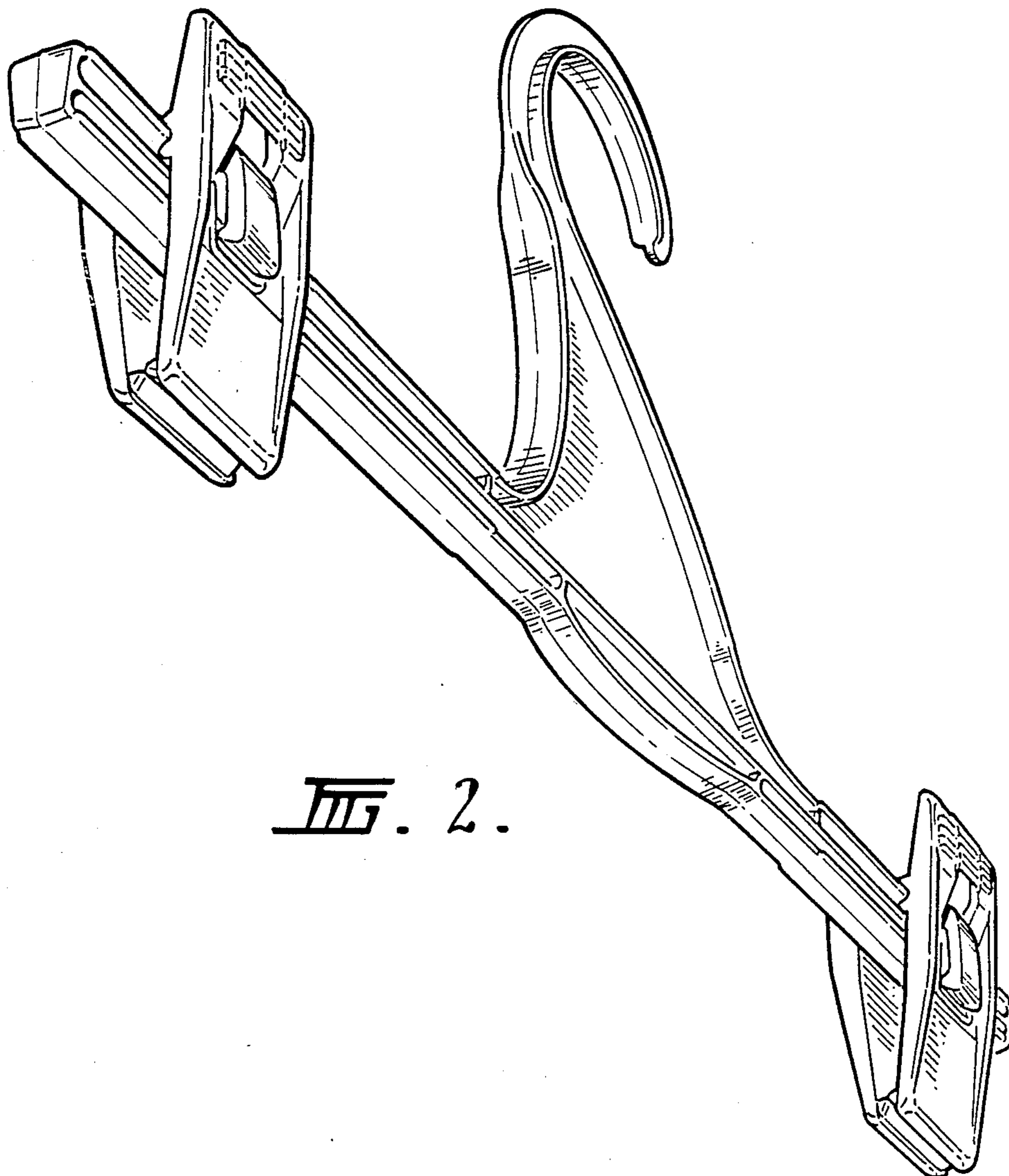


FIG. 2.

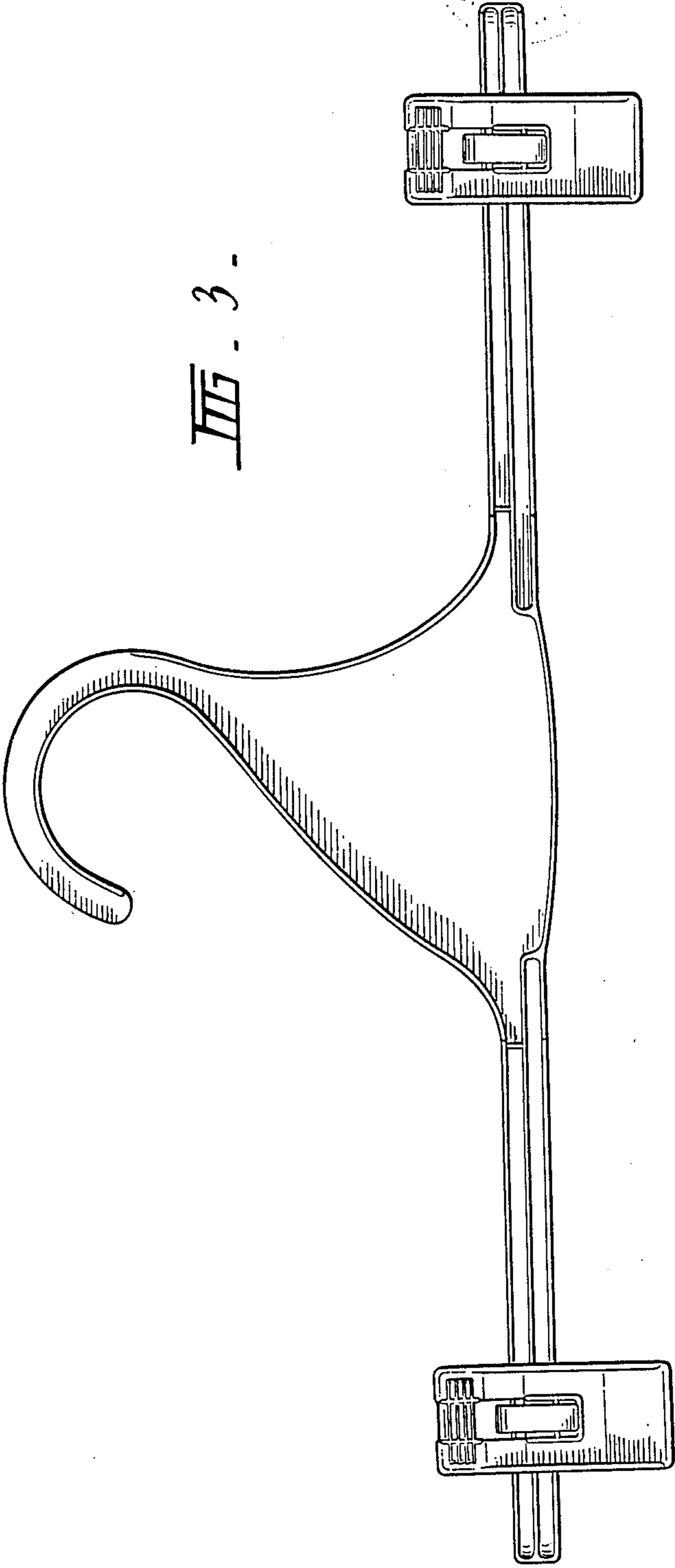


FIG. 3.

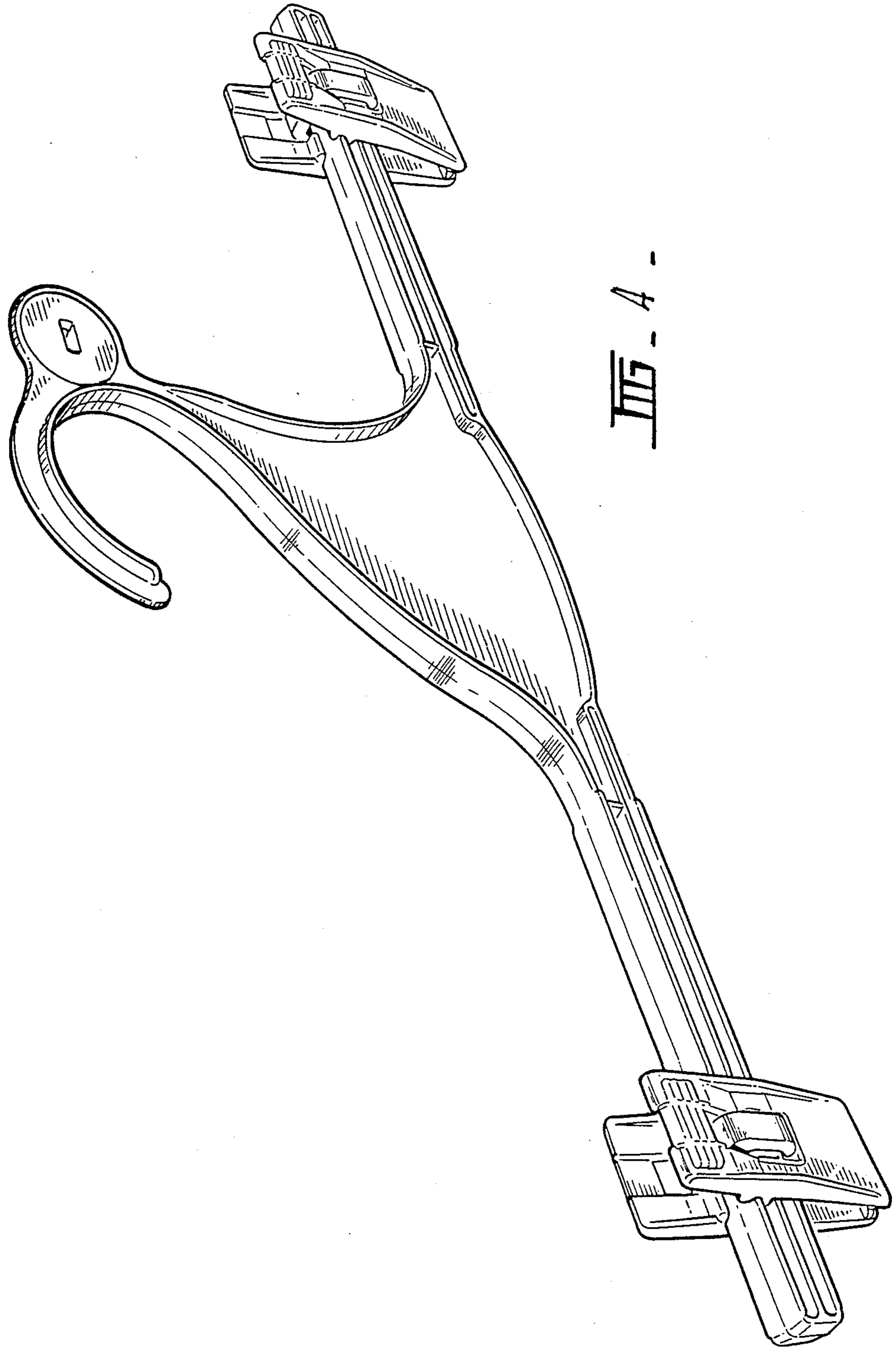


FIG. 4 -

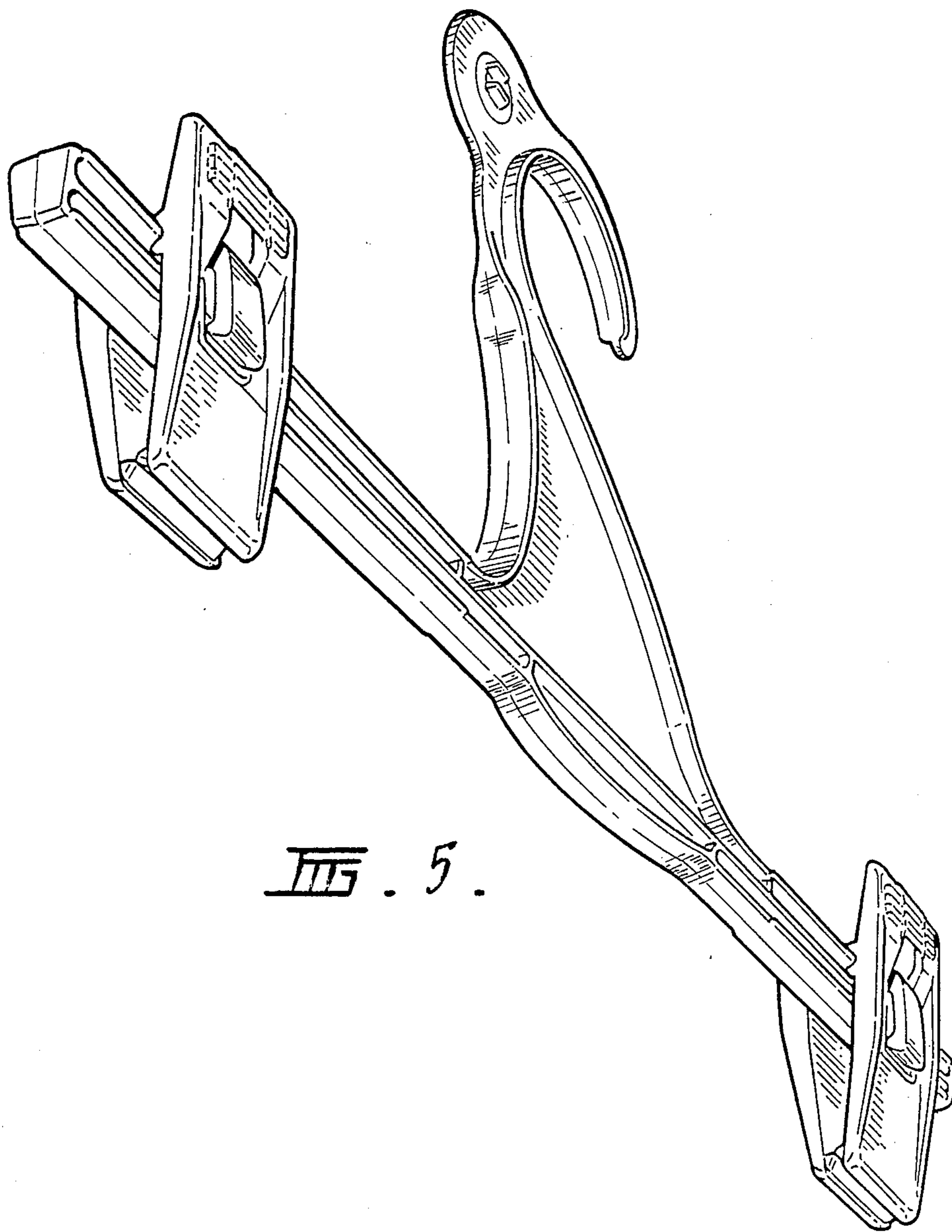


FIG. 5.

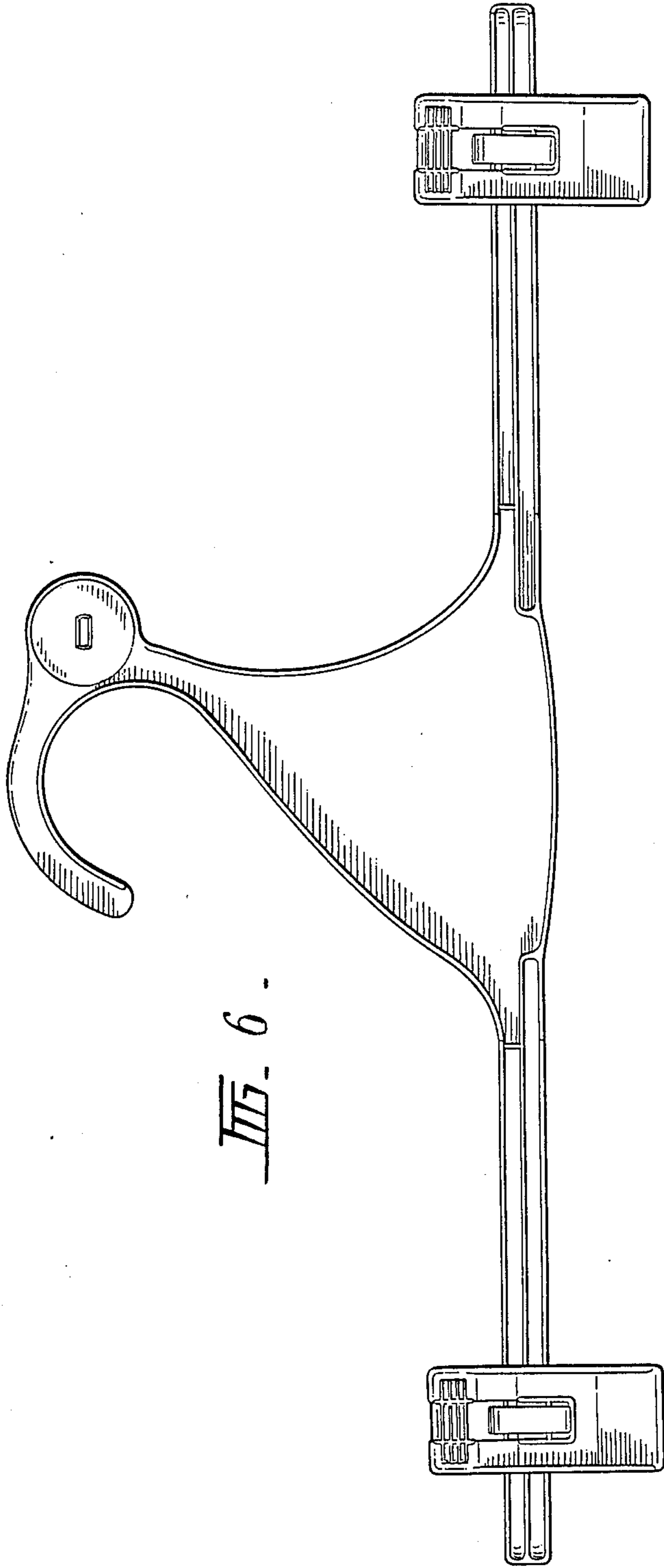


FIG. 6.

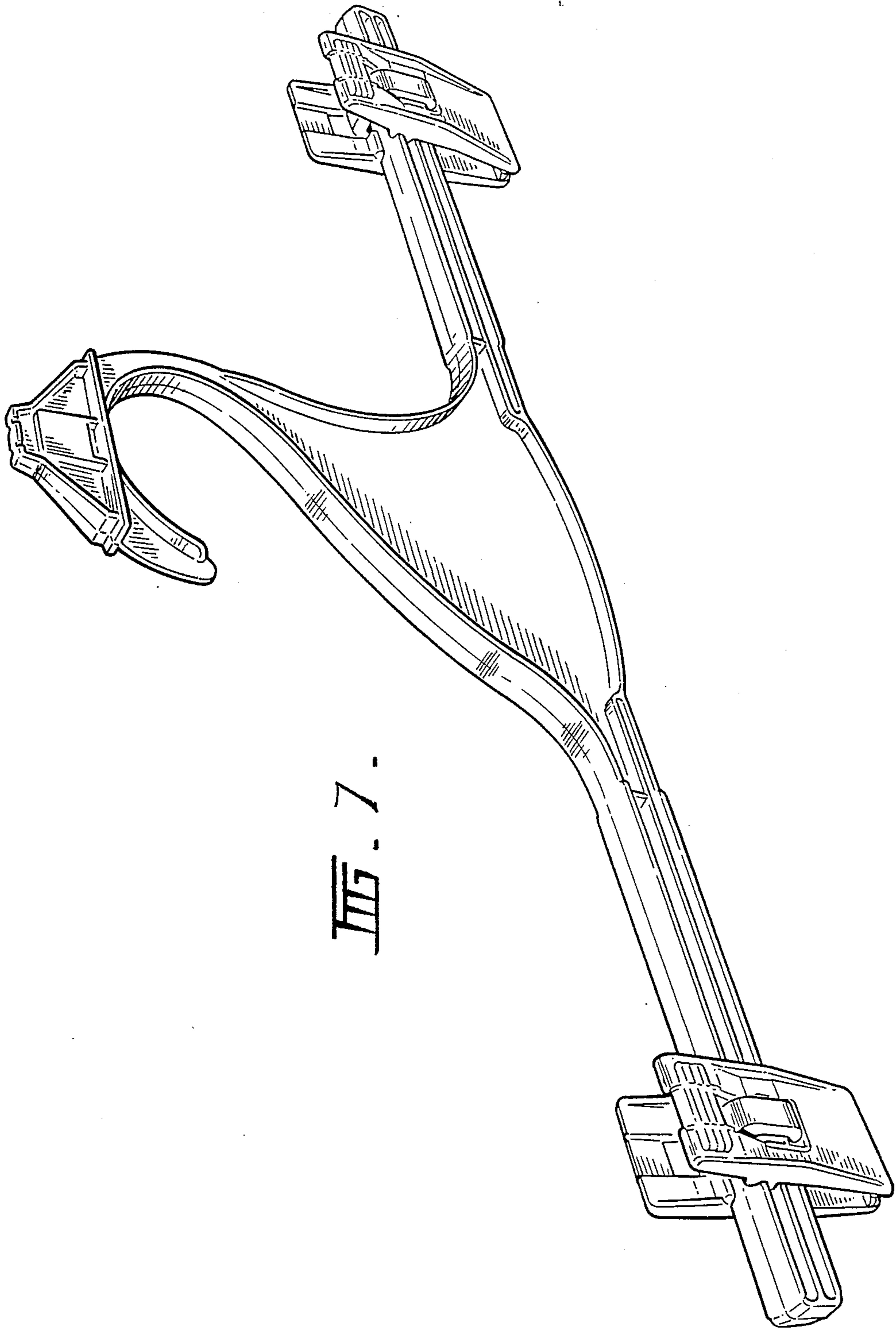
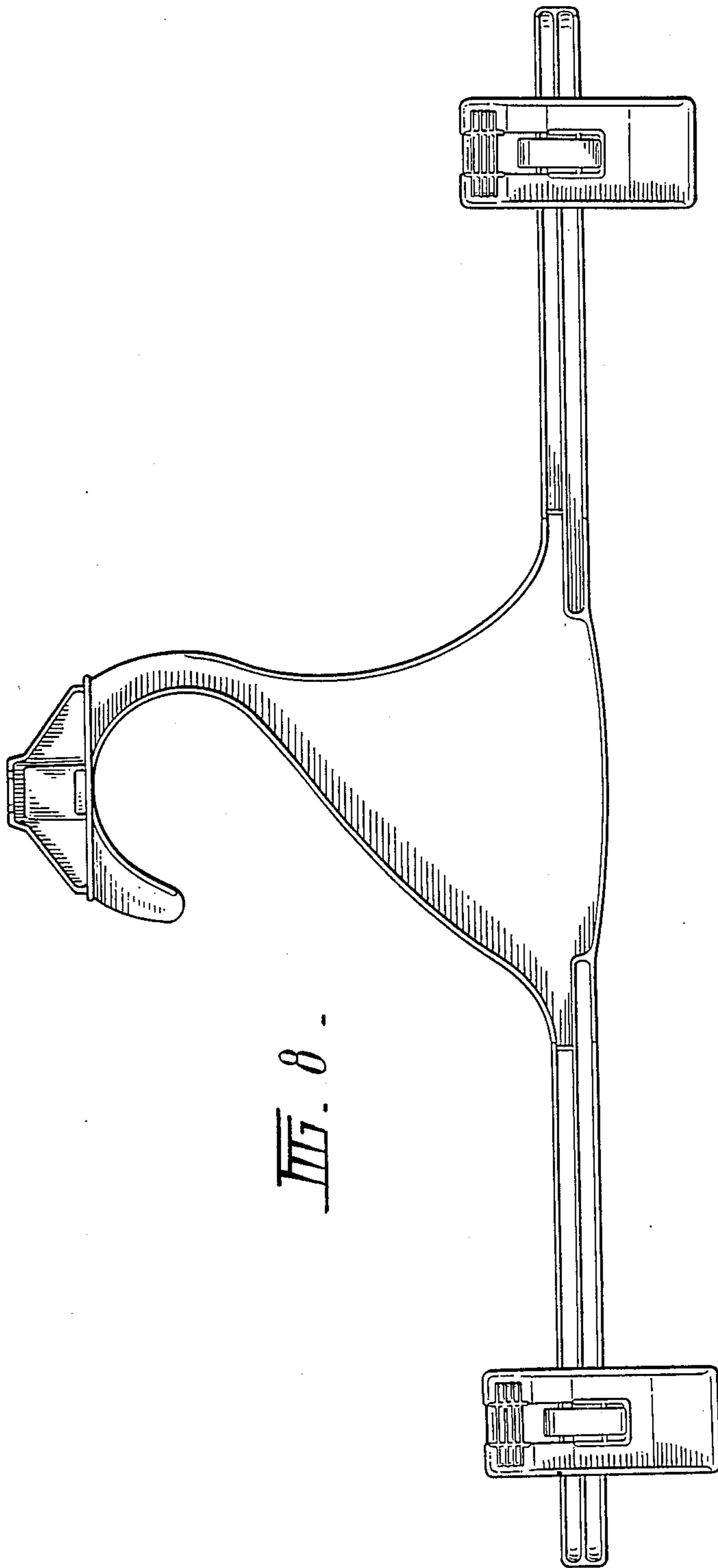


FIG. 7.



III. 8 -

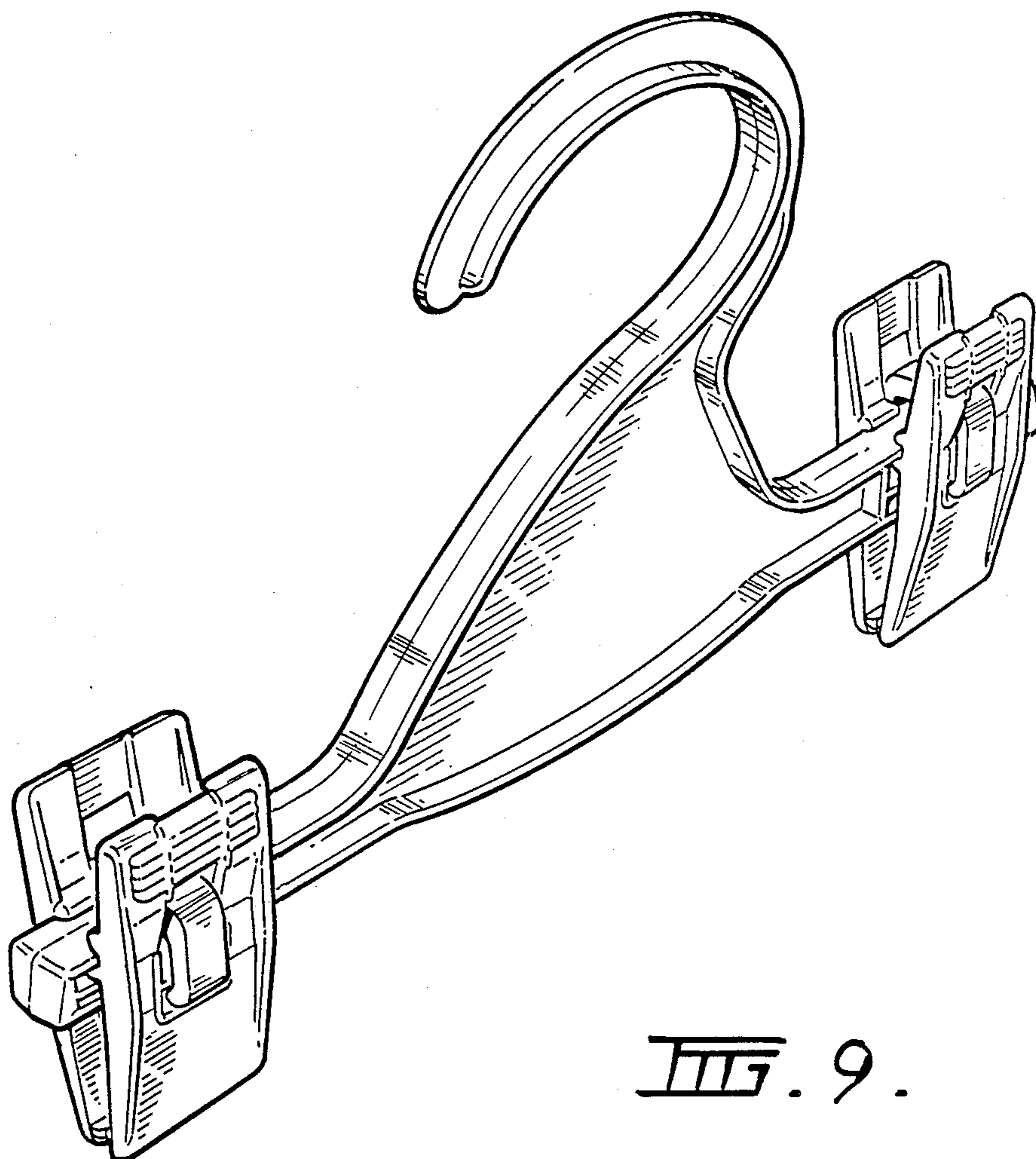


FIG. 9.

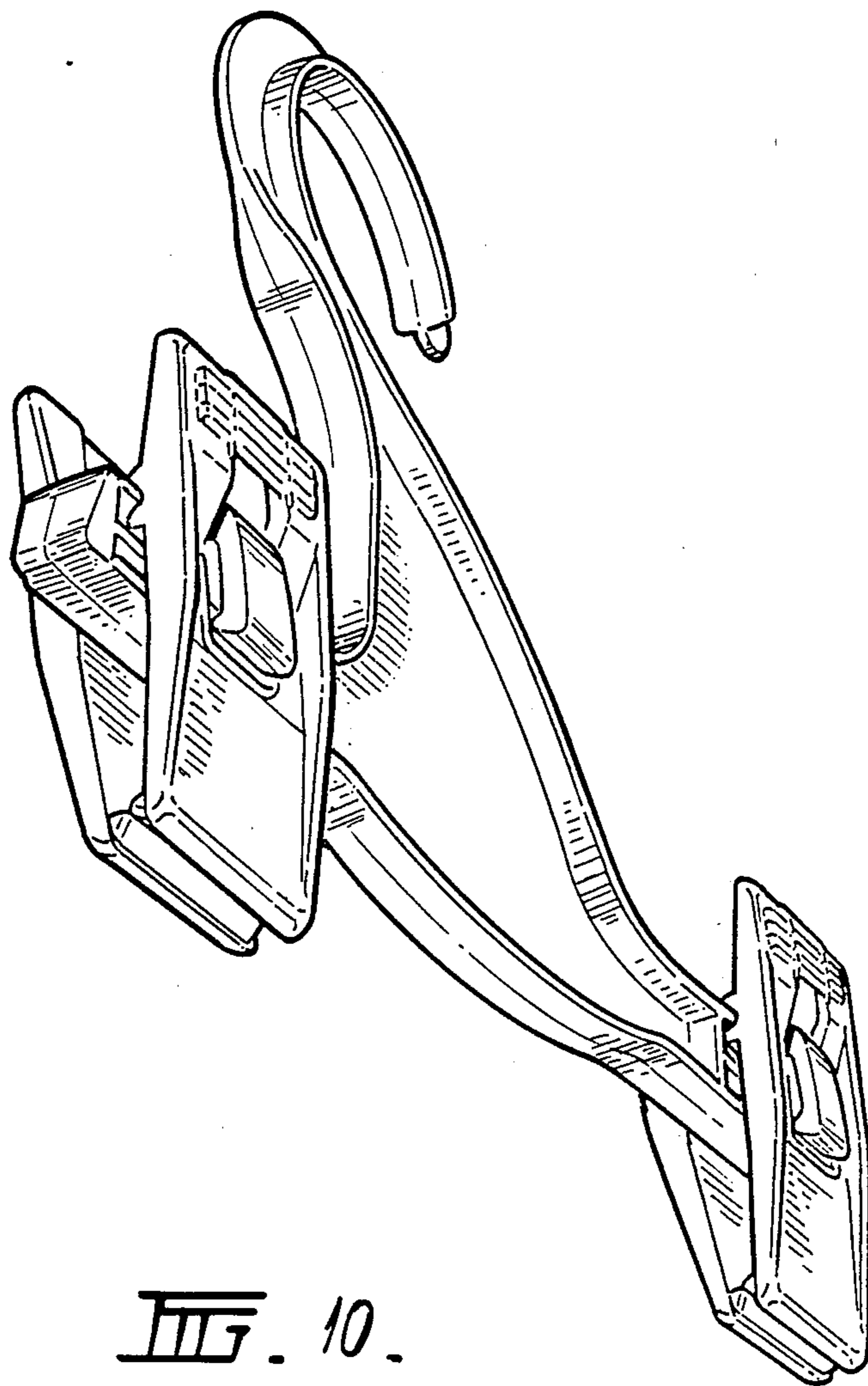
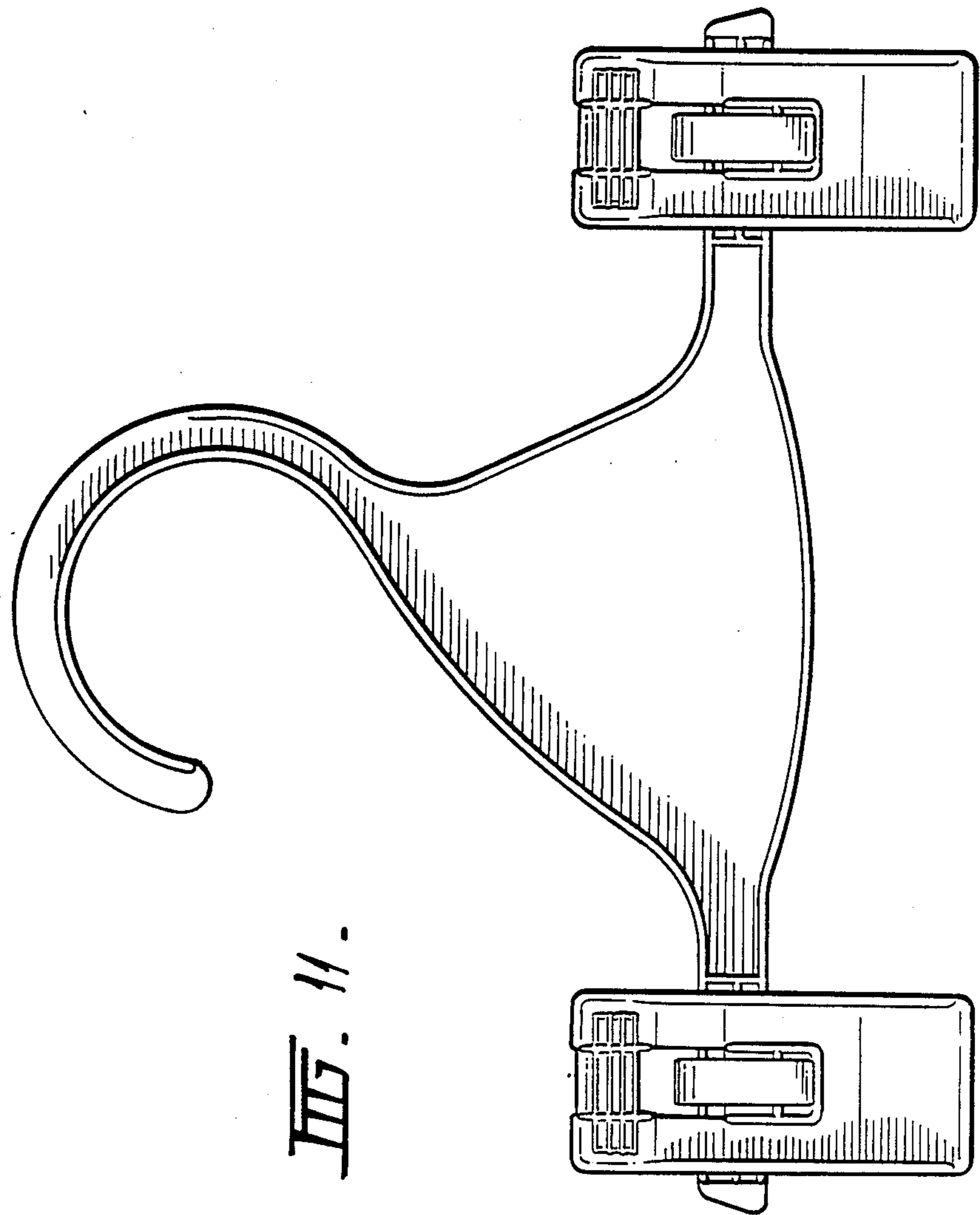


FIG. 10.



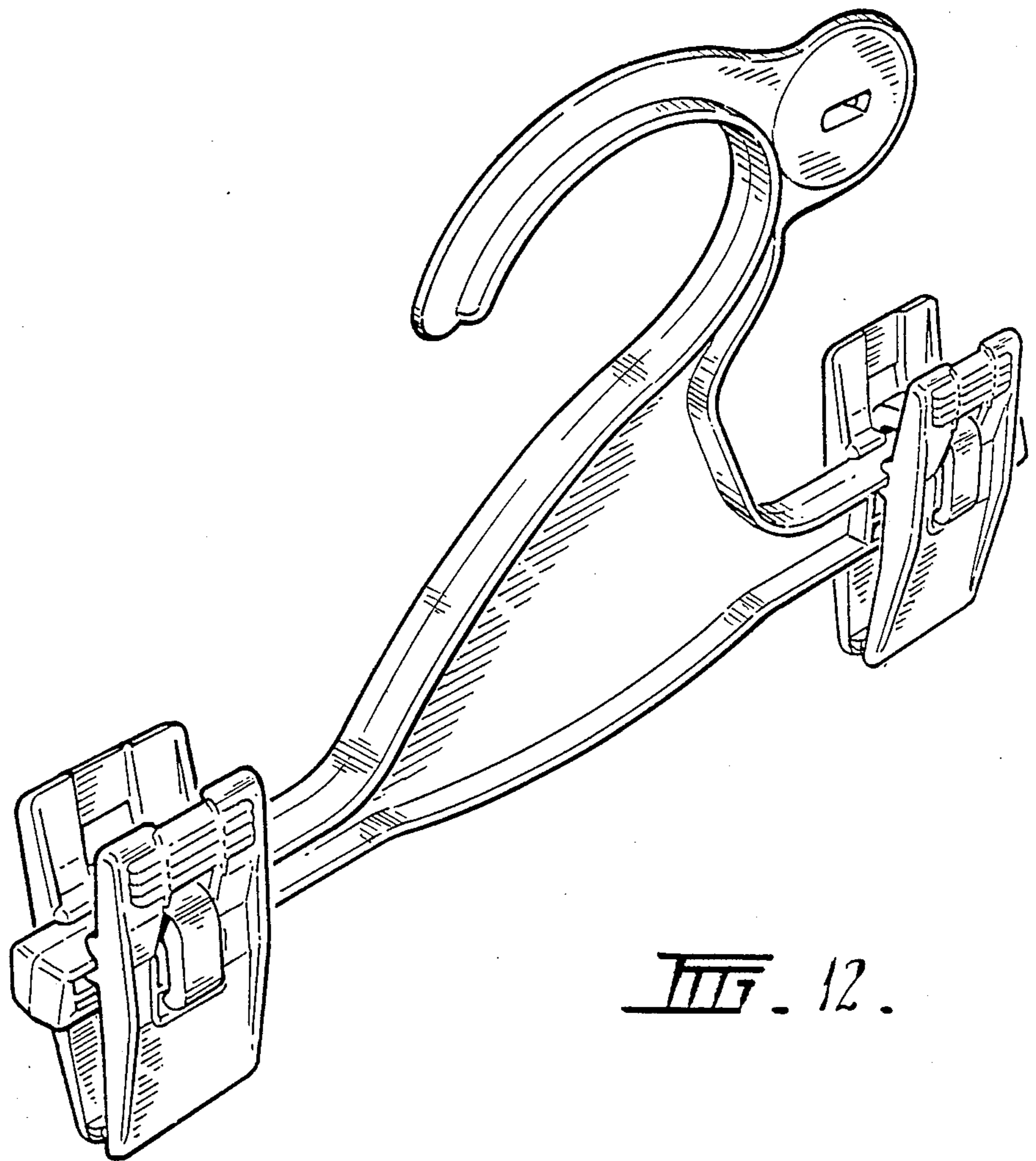


FIG. 12.

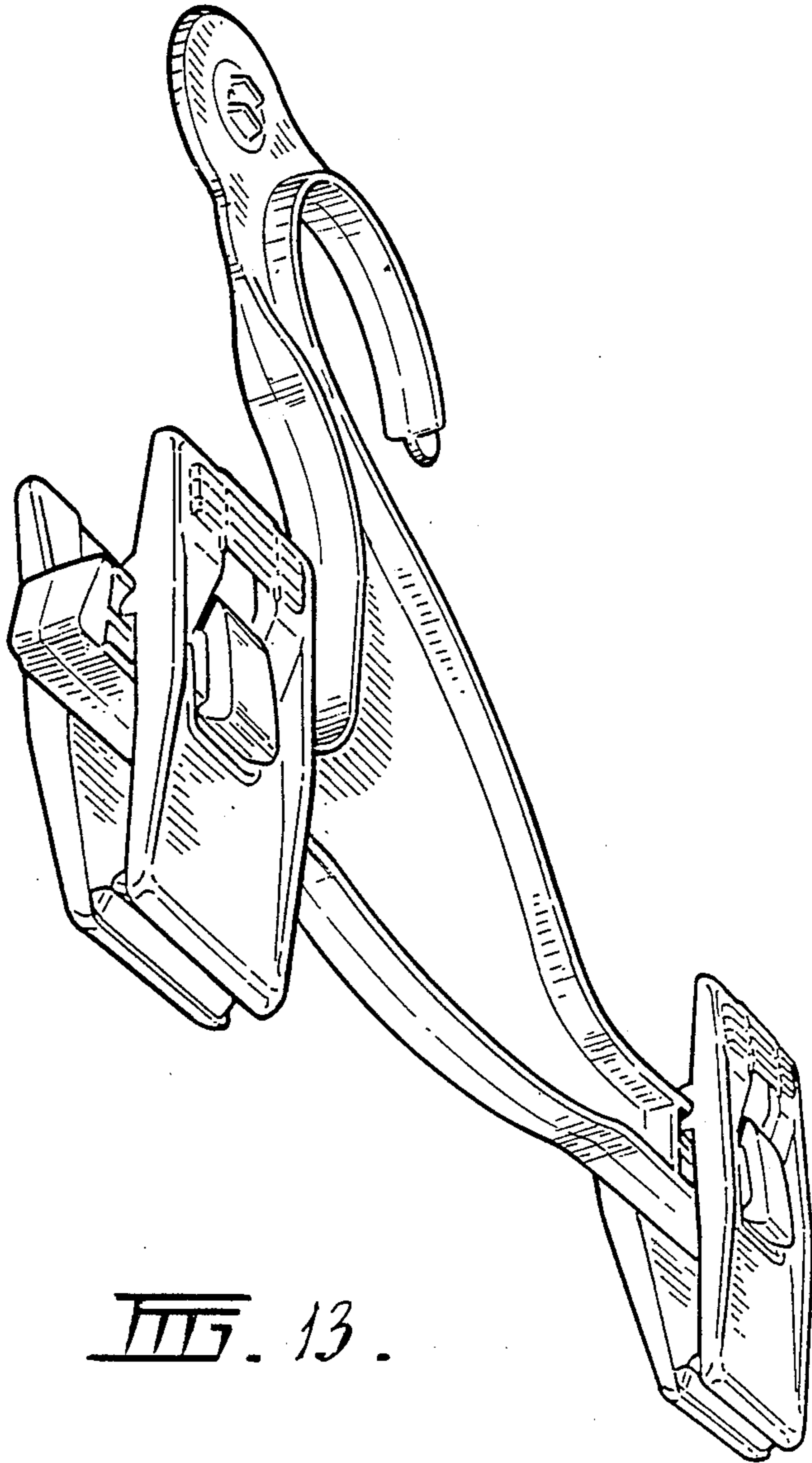
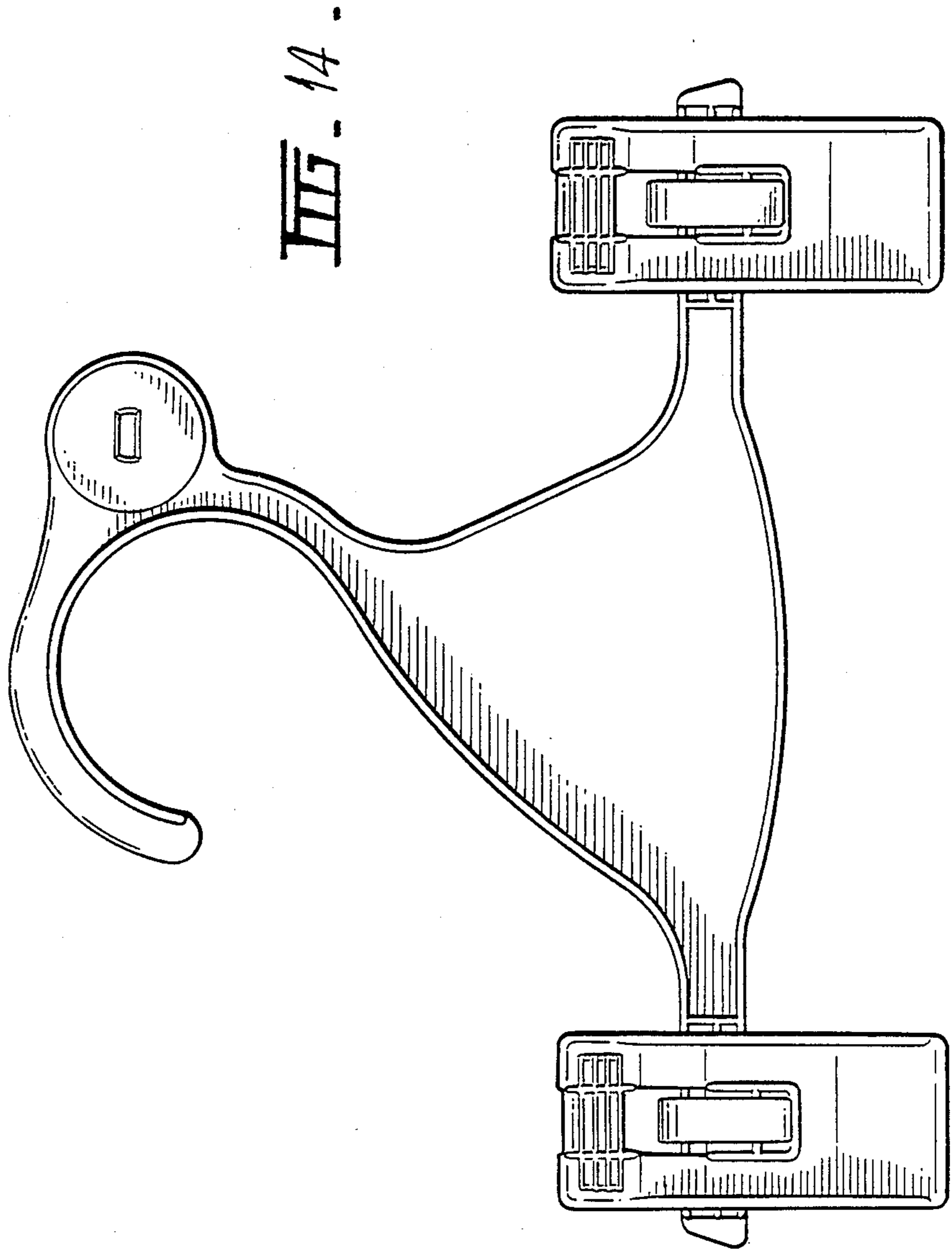


FIG. 13.



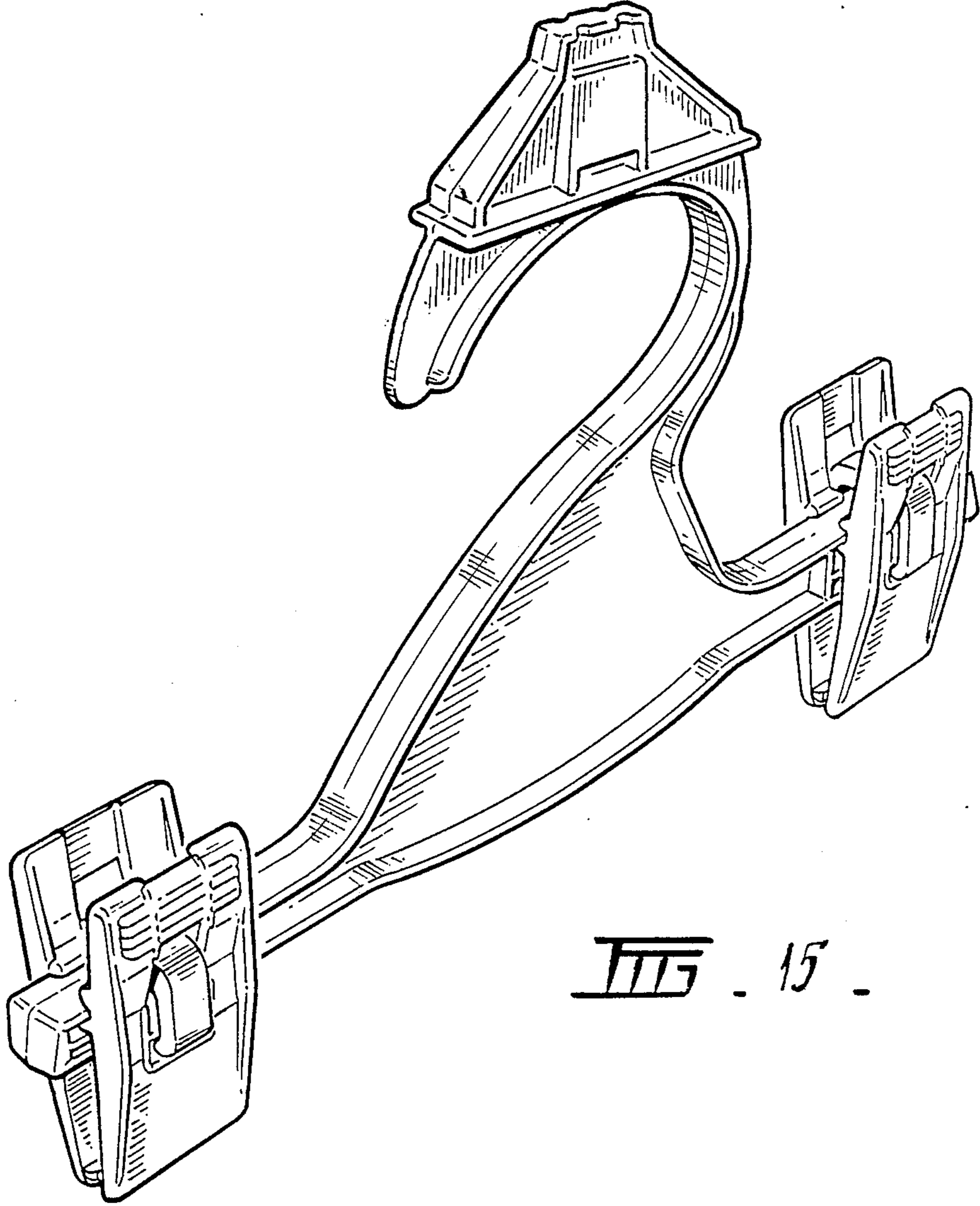
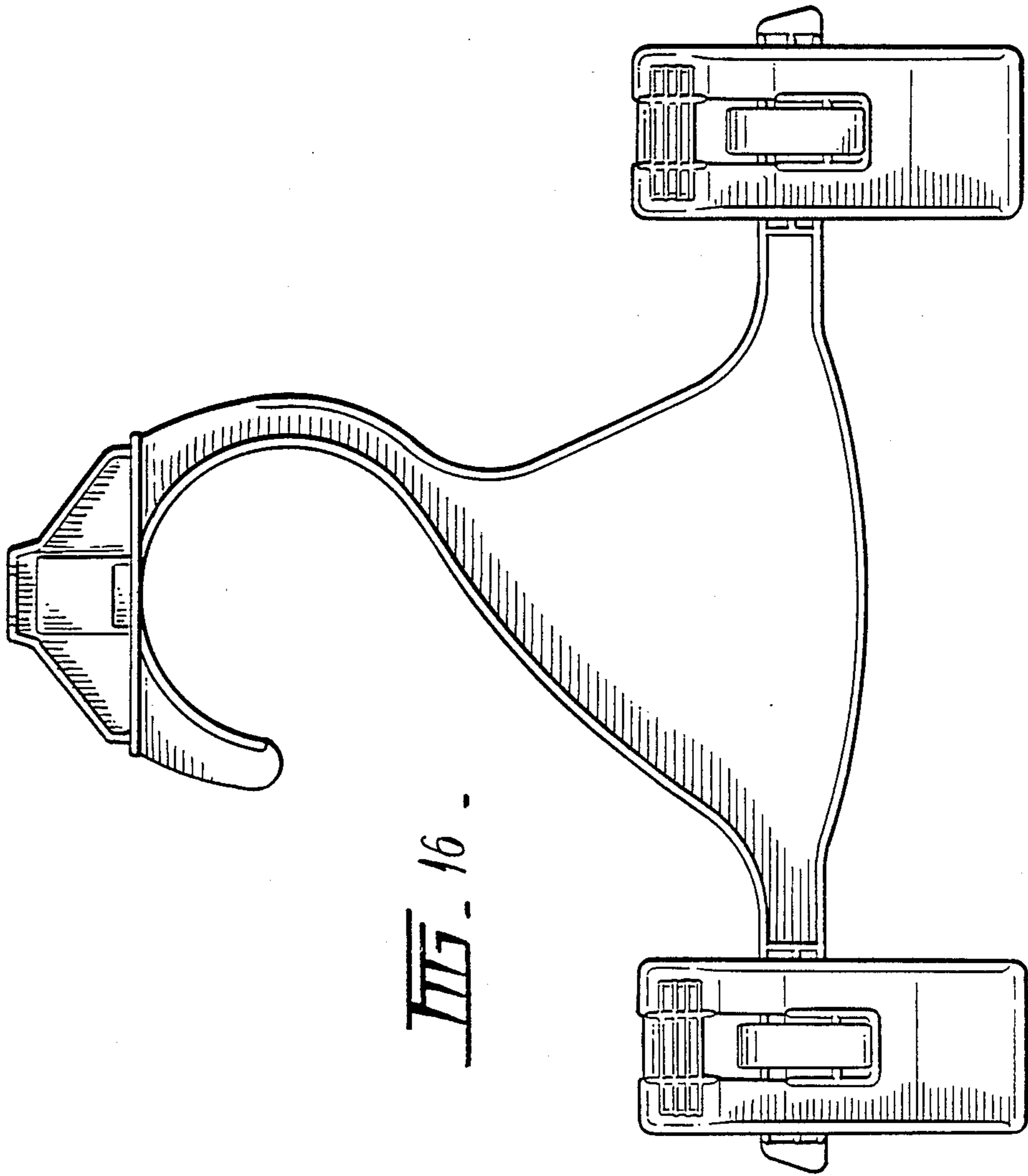


FIG. 15



III-16