

[54] CLIP HANGER

[75] Inventor: Brook Talbot-Titley, Auckland, New Zealand

[73] Assignee: Spotless Plastics Pty. Ltd., Victoria, Australia

[**] Term: 14 Years

[21] Appl. No.: 41,315

[22] Filed: Apr. 21, 1987

[30] Foreign Application Priority Data

Oct. 21, 1986 [AU] Australia 7193/86
 [52] U.S. Cl. D6/326
 [58] Field of Search D6/315, 326, 328;
 211/113; 223/85, 95, 96

[56]

References Cited

U.S. PATENT DOCUMENTS

D. 190,843	7/1961	Levine et al.	D6/326
D. 243,138	1/1977	Coon	D6/326
D. 296,847	7/1988	Kawalek	D6/326
3,502,251	3/1970	Hart	223/96
3,744,685	7/1973	Hart	223/96
3,946,915	3/1976	Crane	223/96
4,209,879	7/1980	Paajanen	223/96

Primary Examiner—B. J. Bullock
Attorney, Agent, or Firm—Scully, Scott, Murphy & Presser

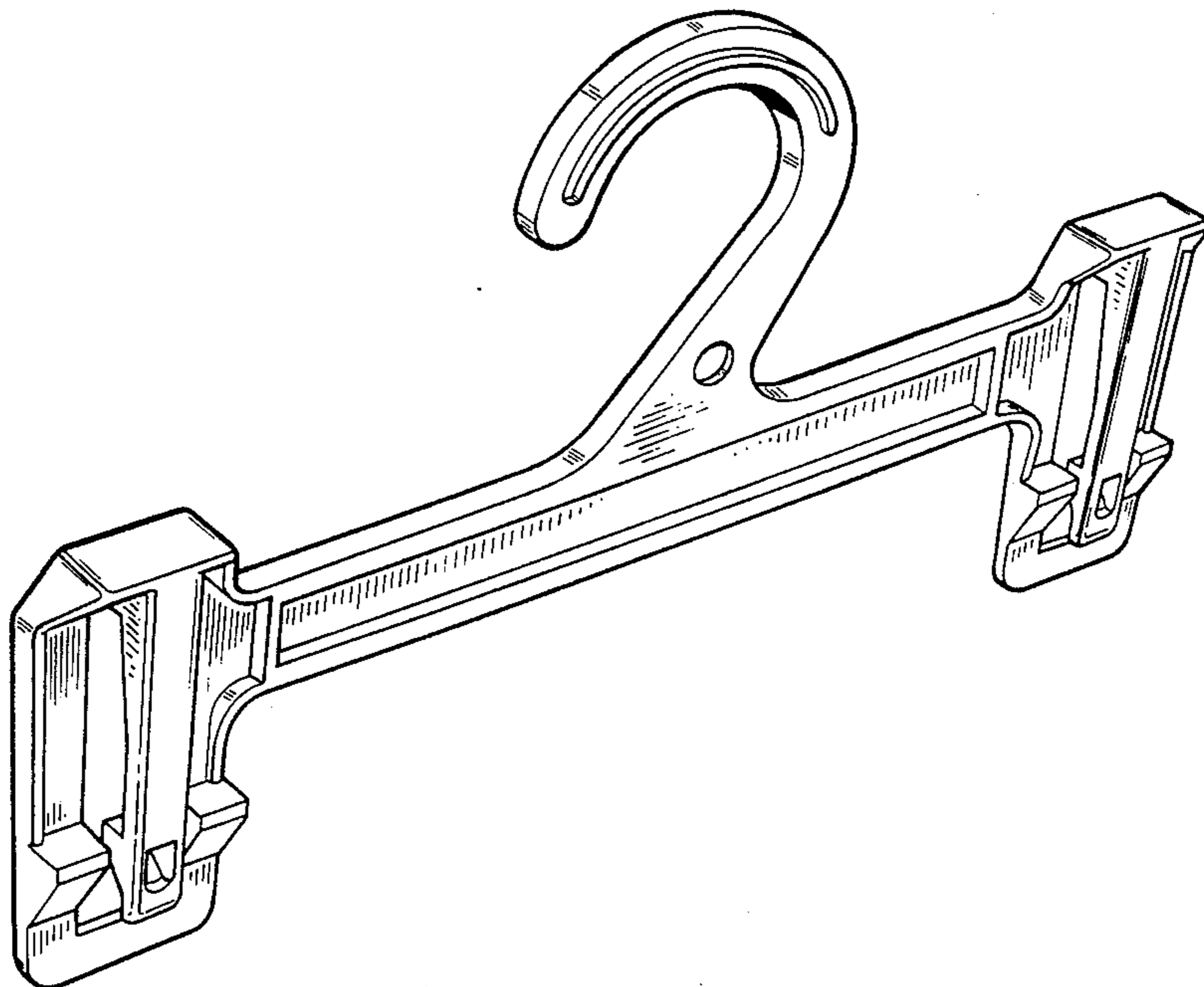
[57]

CLAIM

The ornamental design for a clip hanger, as shown.

DESCRIPTION

FIG. 1 is a front perspective view of a clip hanger showing my new design;
FIG. 2 is a rear view thereof;
FIG. 3 is a left end view thereof, the right end being substantially a mirror image.



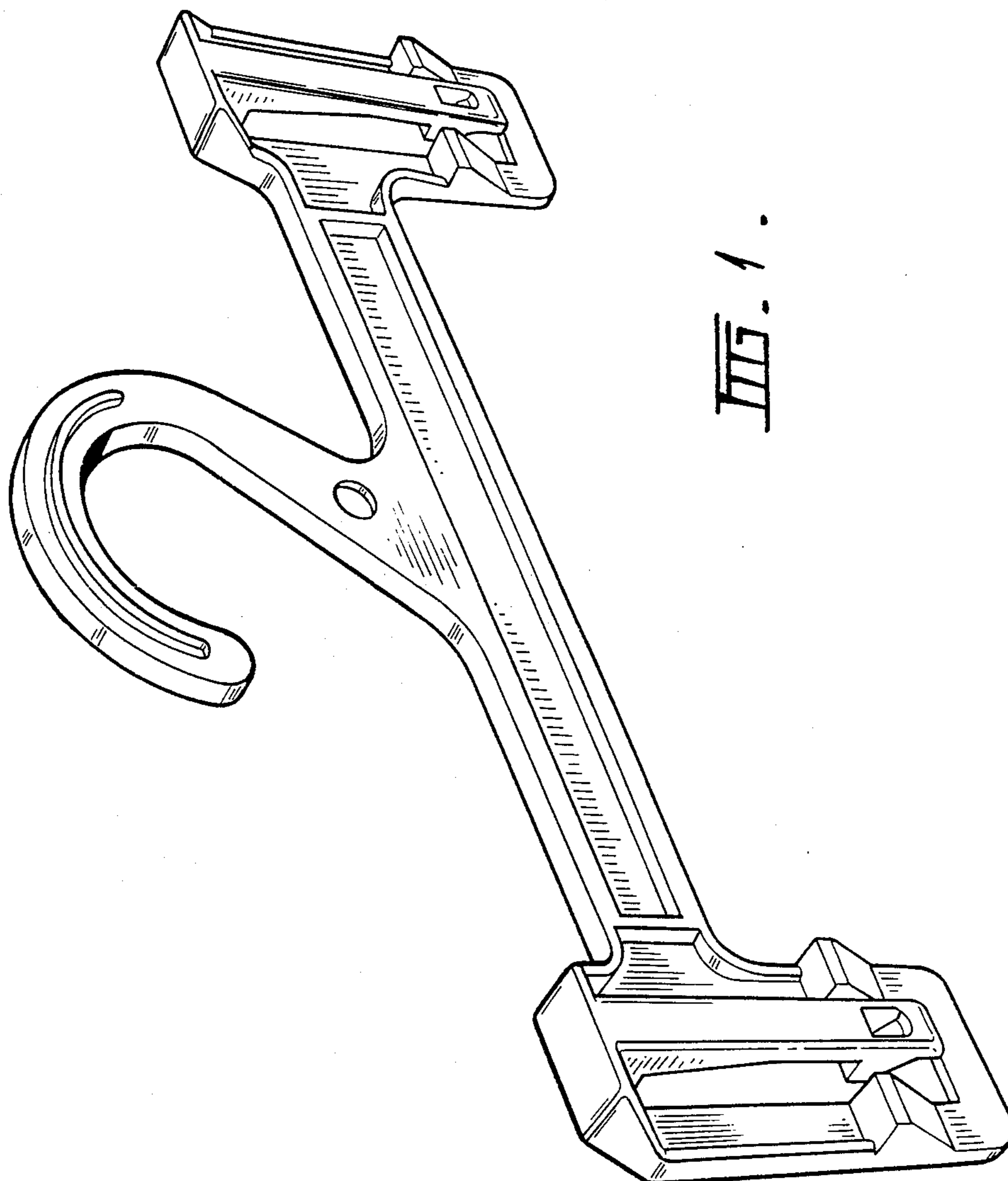


FIG. 1.



FIG. 3.

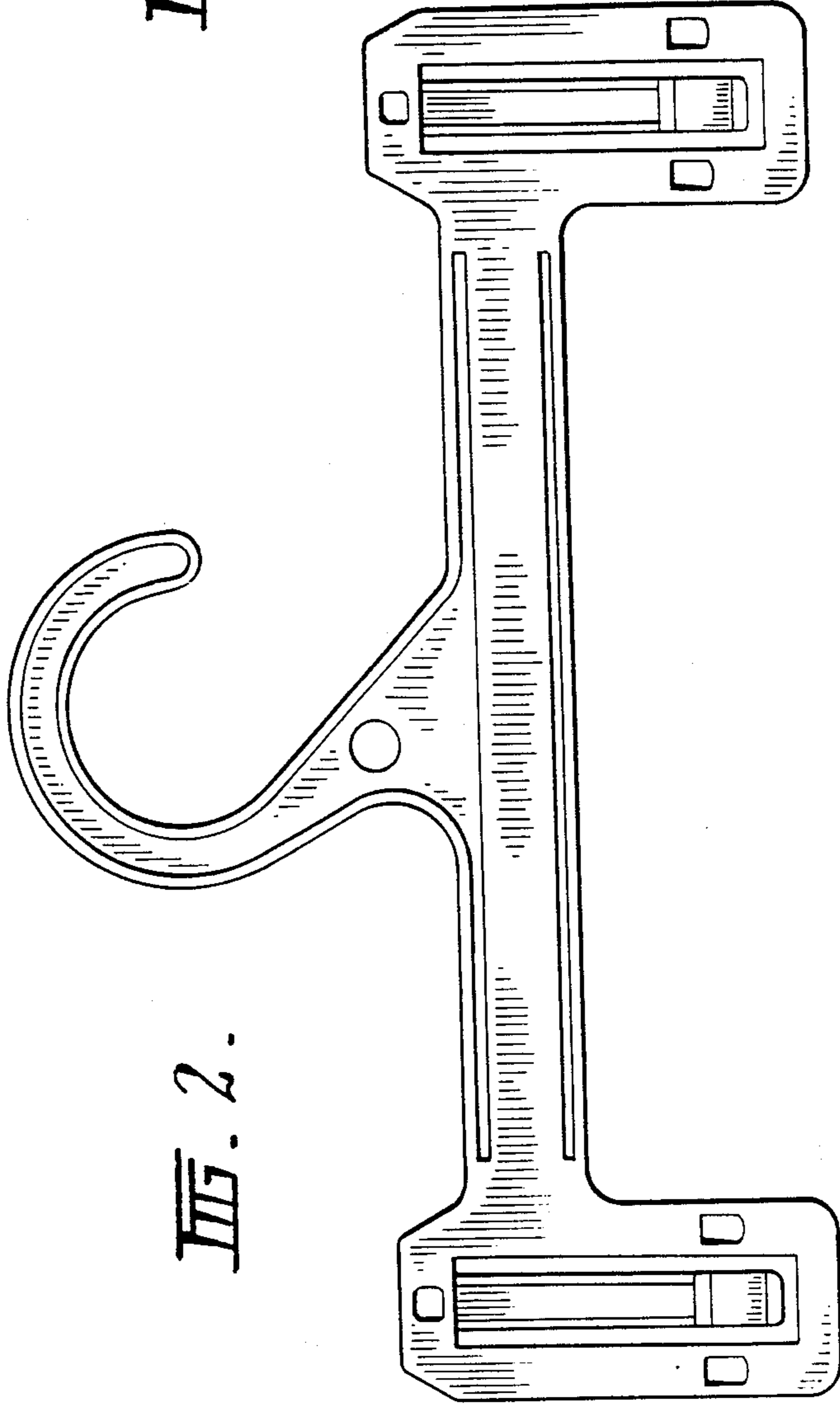


FIG. 2.