

[54] CLOTHES HANGER BODY AND TROUSER BAR THEREFOR

[75] Inventors: Gladys C. Weckstein; Jill W. Stricof, both of New York, N.Y.

[73] Assignee: Coat Conformers, Inc., New York, N.Y.

[**] Term: 14 Years

[21] Appl. No.: 64,500

[22] Filed: Jun. 22, 1987

[52] U.S. Cl. D6/319

[58] Field of Search D6/315, 317, 318, 319; 211/113; 223/85, 88, 92, 95

[56] References Cited

U.S. PATENT DOCUMENTS

- D. 158,497 5/1950 Odor D6/319
- D. 162,520 3/1951 Colwell D6/319

- D. 168,378 12/1952 Saviolidis D6/319
- D. 203,726 2/1966 Tobia D6/319
- D. 204,040 3/1966 McLarty D6/319
- D. 242,756 12/1976 Boren D6/319
- 2,114,803 4/1938 Kurucz et al. 223/88

Primary Examiner—B. J. Bullock
Attorney, Agent, or Firm—Wolder, Gross & Yavner

[57] CLAIM

The ornamental design for a clothes hanger body and trouser bar therefor, as shown and described.

DESCRIPTION

FIG. 1 is a top plan view of a clothes hanger body and trouser bar therefor embodying our new design, the hook being in broken lines for illustrative purposes only; FIG. 2 is a front elevational view thereof; FIG. 3 is a right-side elevational view thereof; FIG. 4 is a left-side elevational view thereof; FIG. 5 is a rear elevational view thereof; and FIG. 6 is a bottom plan view thereof.

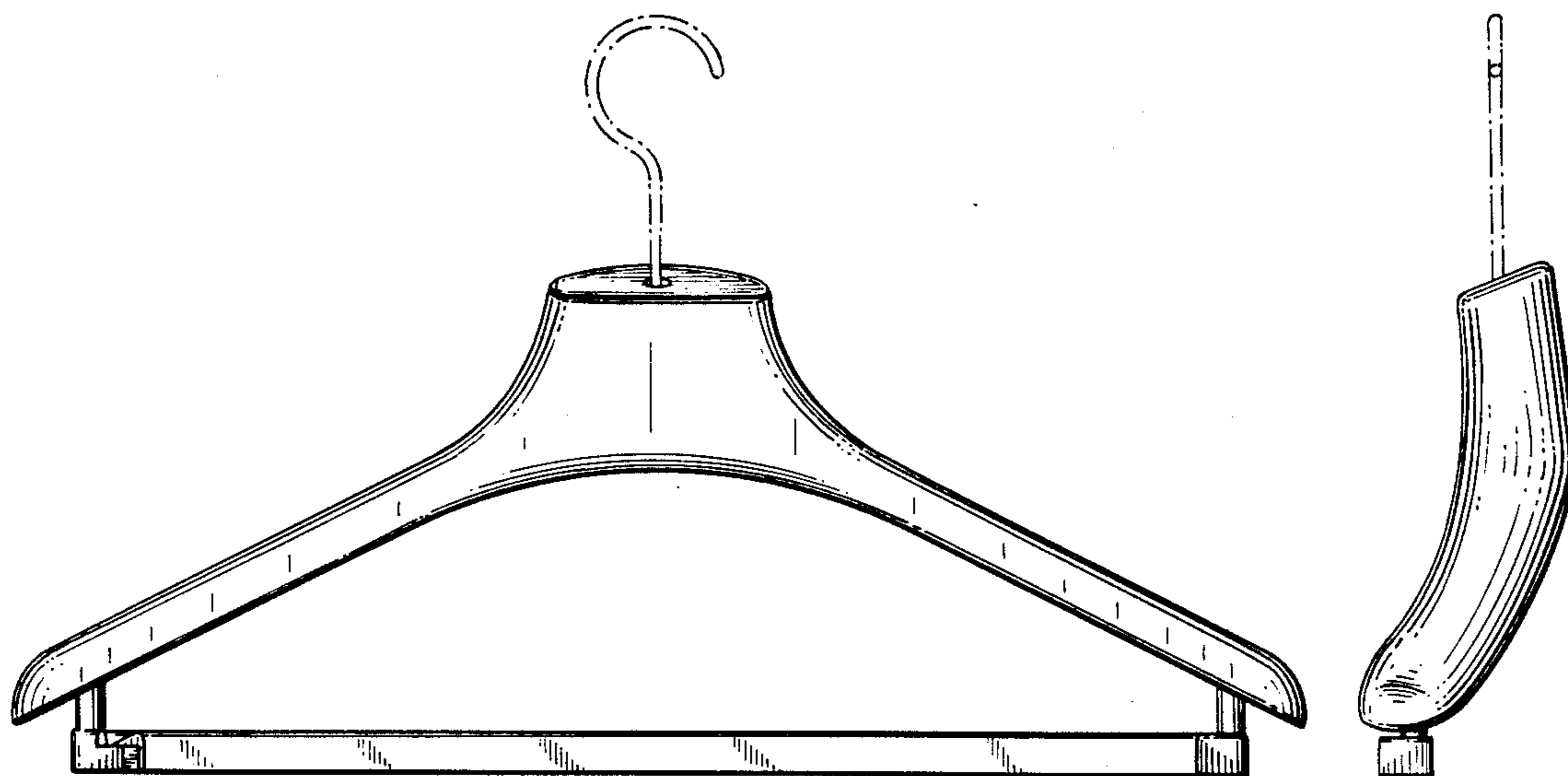


FIG. 1

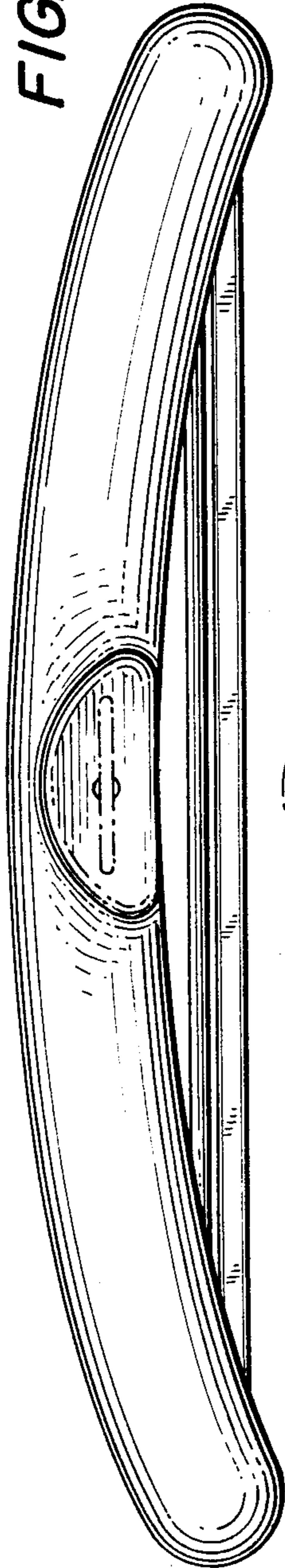


FIG. 3

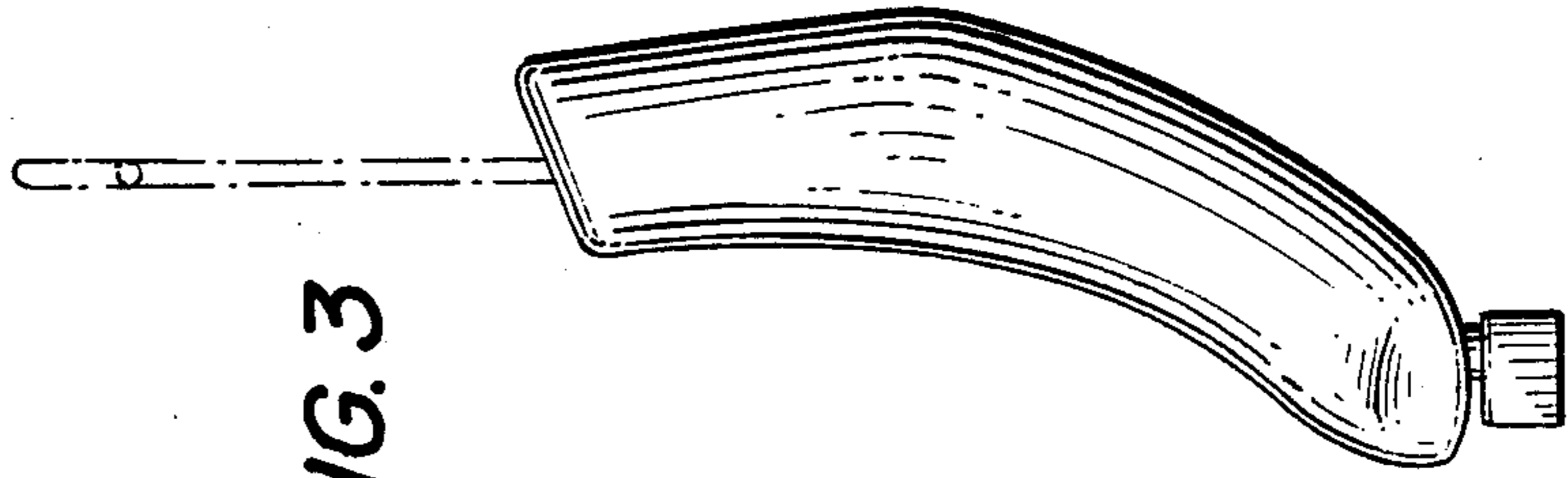
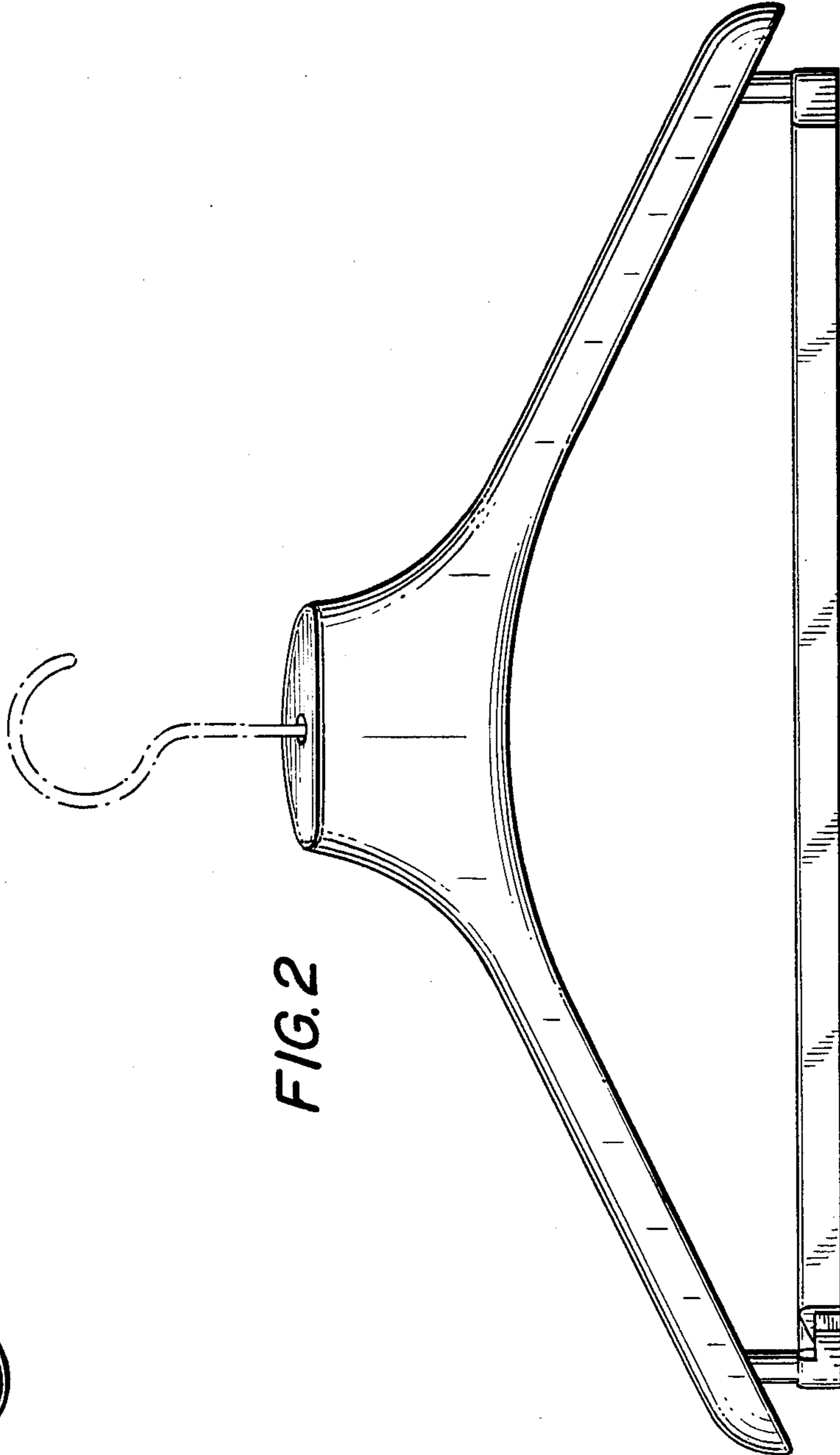


FIG. 2



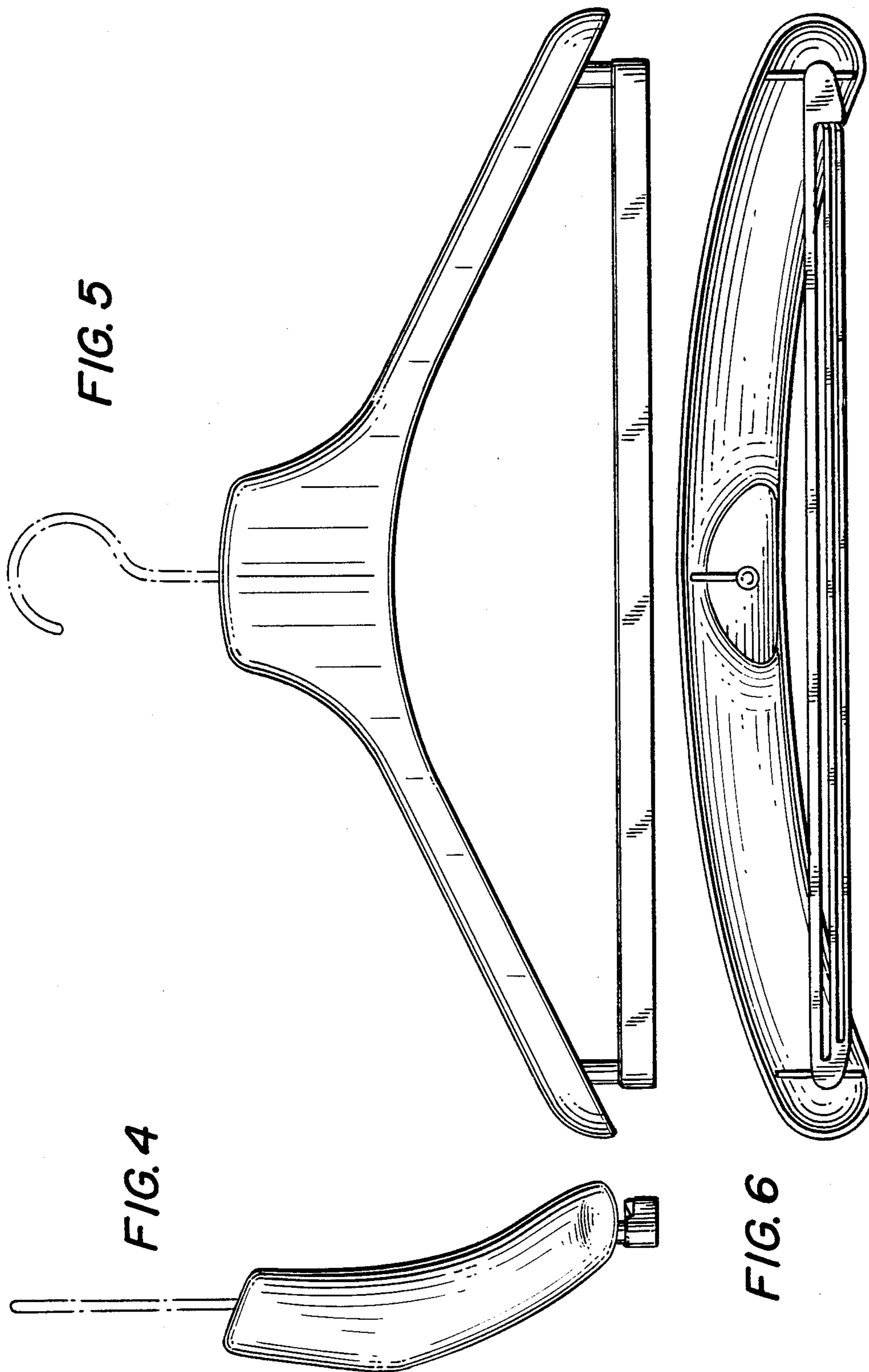


FIG. 5

FIG. 4

FIG. 6