

[54] BABY'S TOOTHBRUSH

4,621,387 11/1986 Noser ..... 15/167.1

[76] Inventor: August C. Thompson, 409 Colonial Ct., Lee's Summit, Mo. 64063

Primary Examiner—Wallace R. Burke  
Assistant Examiner—Lavone D. Tabor  
Attorney, Agent, or Firm—Joan O. Herman; D. A. N. Chase

[\*\*] Term: 14 Years

[21] Appl. No.: 124,093

[57] CLAIM

[22] Filed: Nov. 23, 1987

The ornamental design for a baby's toothbrush, as shown and described.

[52] U.S. Cl. .... D4/104; D4/107

[58] Field of Search ..... D4/100-114; D24/10-11; 15/106, 110, 159 R, 159 A, 160, 167.1-167.2, 172, 176.1-176.6; 132/84 R, 84 A-84 D

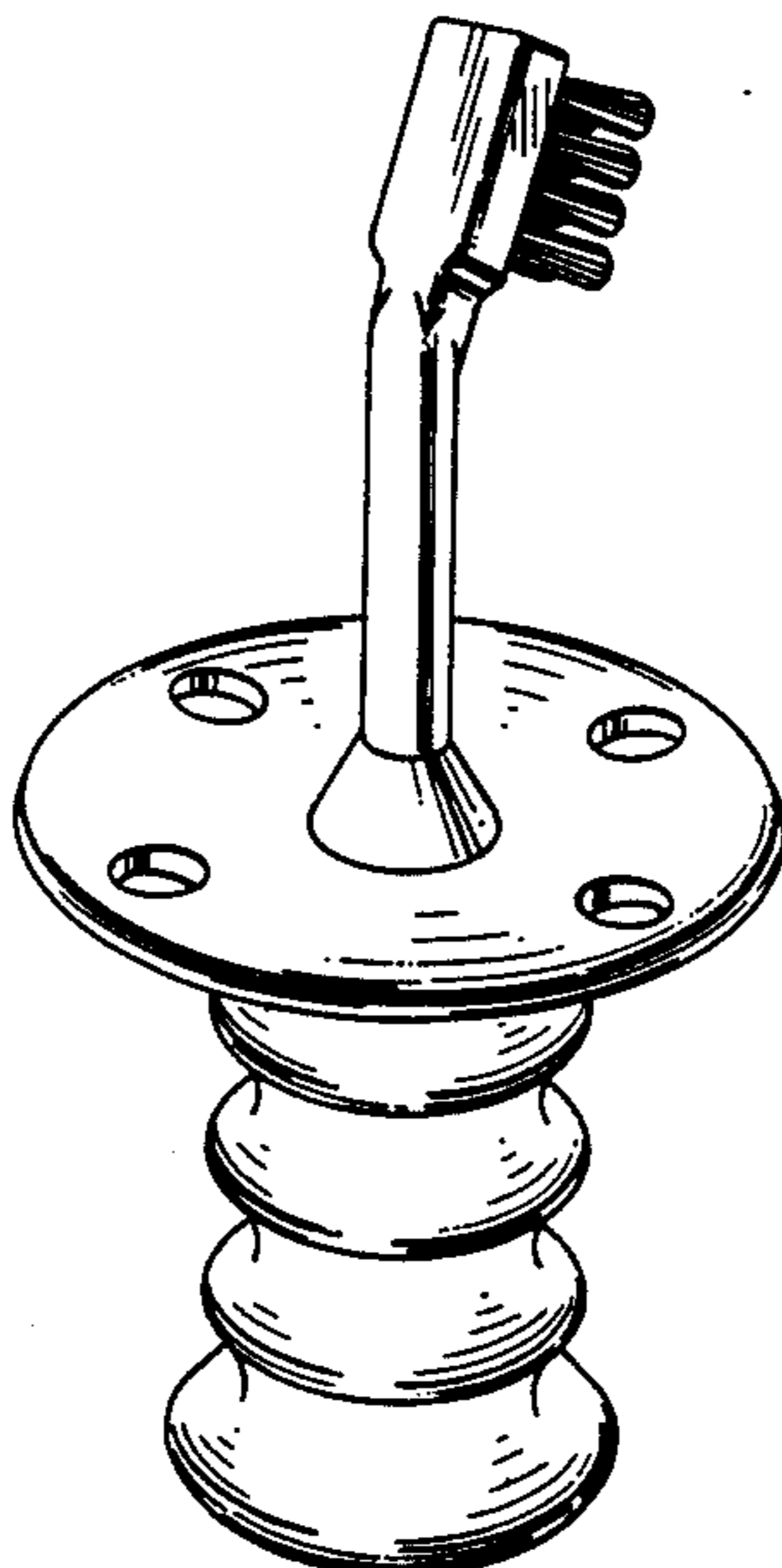
DESCRIPTION

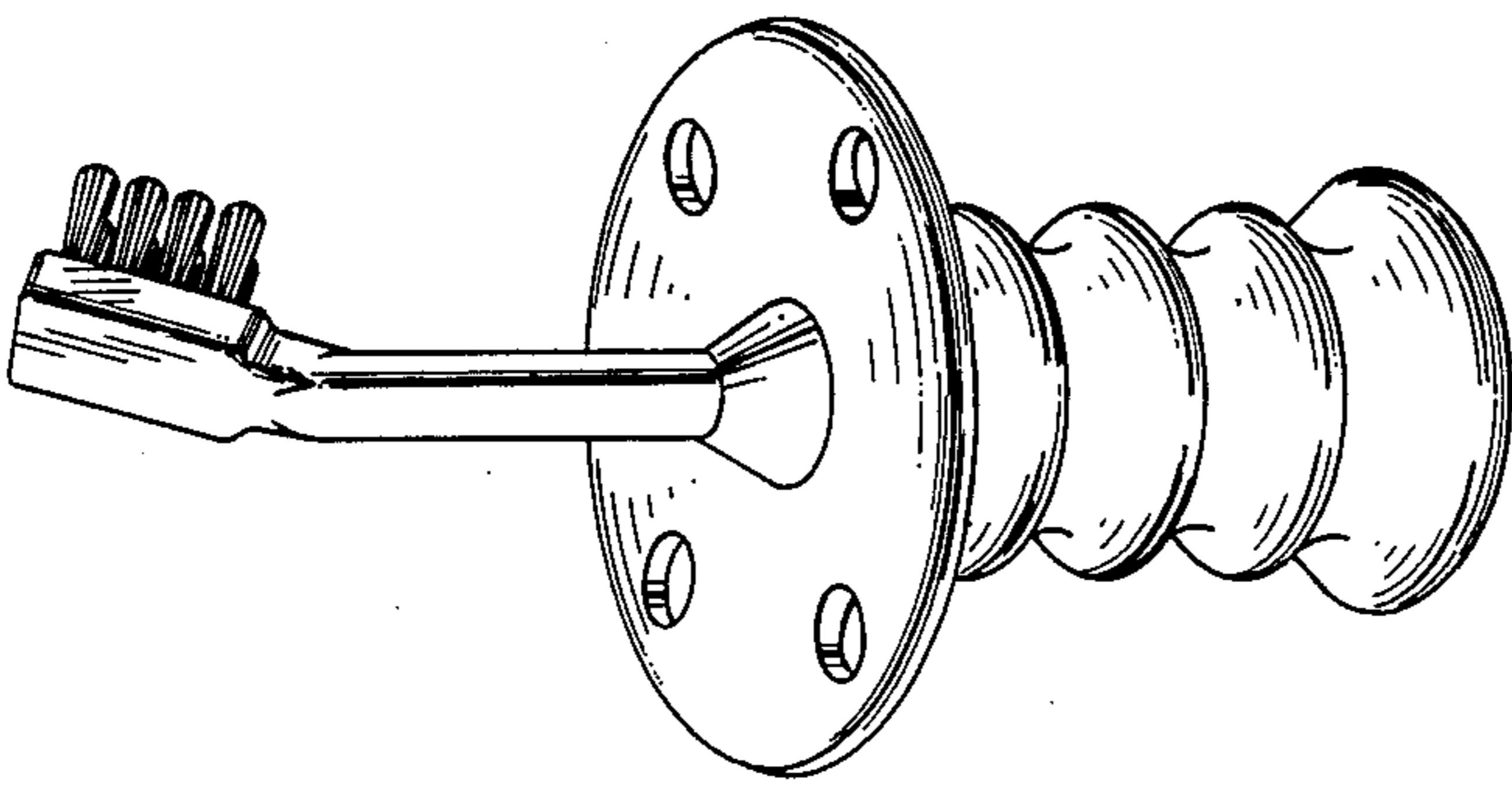
FIG. 1 is a perspective view of a baby's toothbrush showing my new design;  
FIG. 2 is a left side elevational view, the right side being a mirror image thereof;  
FIG. 3 is a front elevational view thereof;  
FIG. 4 is a rear elevational view thereof;  
FIG. 5 is a top plan view thereof;  
FIG. 6 is a bottom plan view thereof.

[56] References Cited

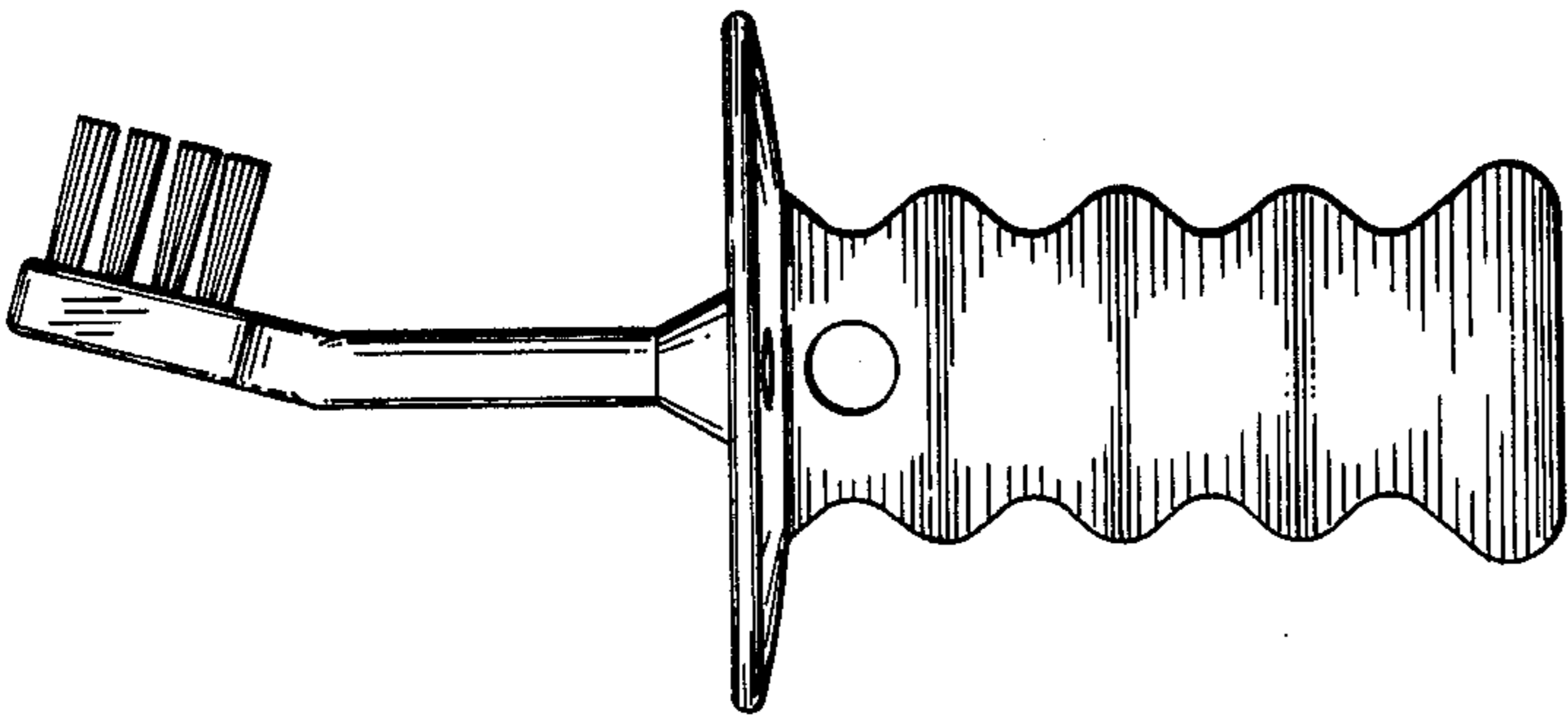
U.S. PATENT DOCUMENTS

- D. 242,984 1/1977 Petty ..... D8/303
- D. 278,661 5/1985 Gelsen ..... D4/104

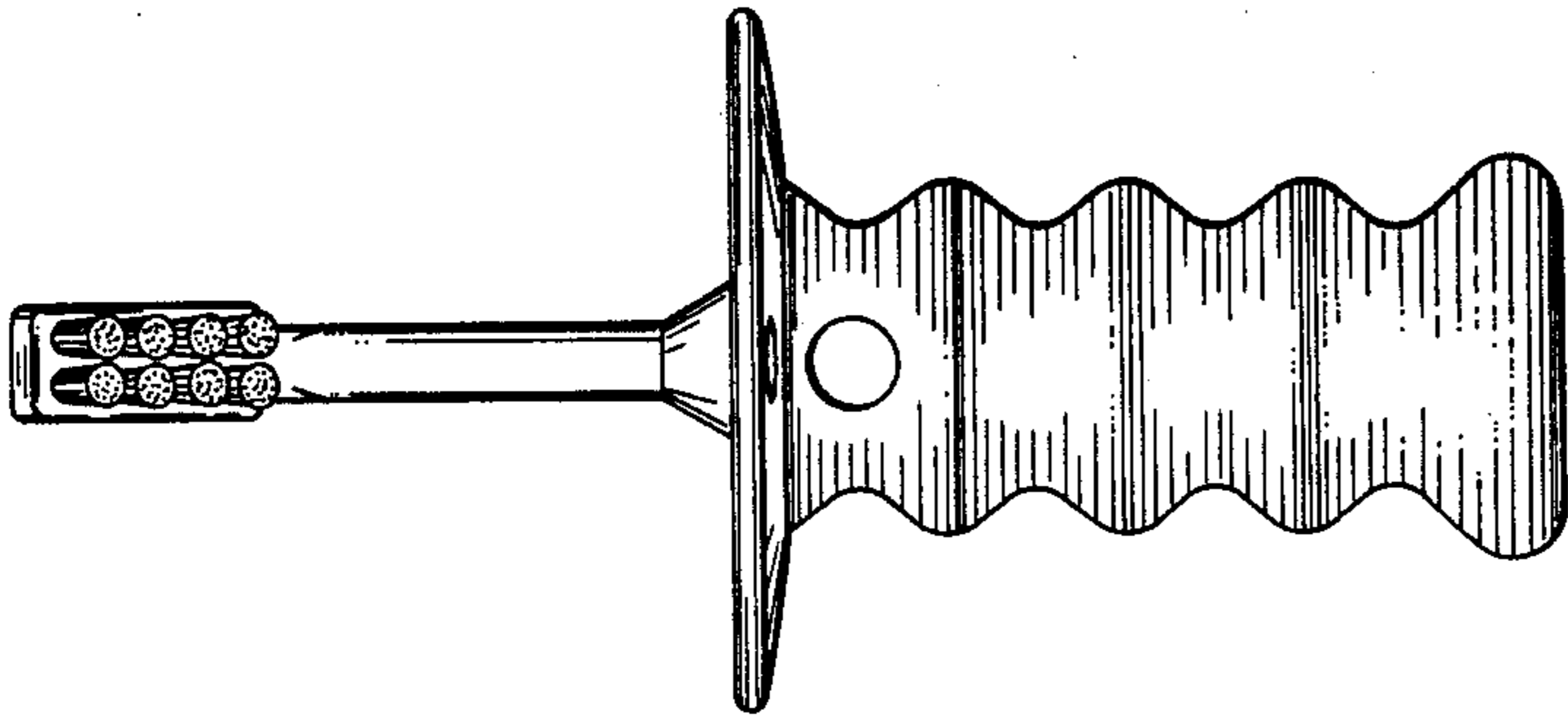




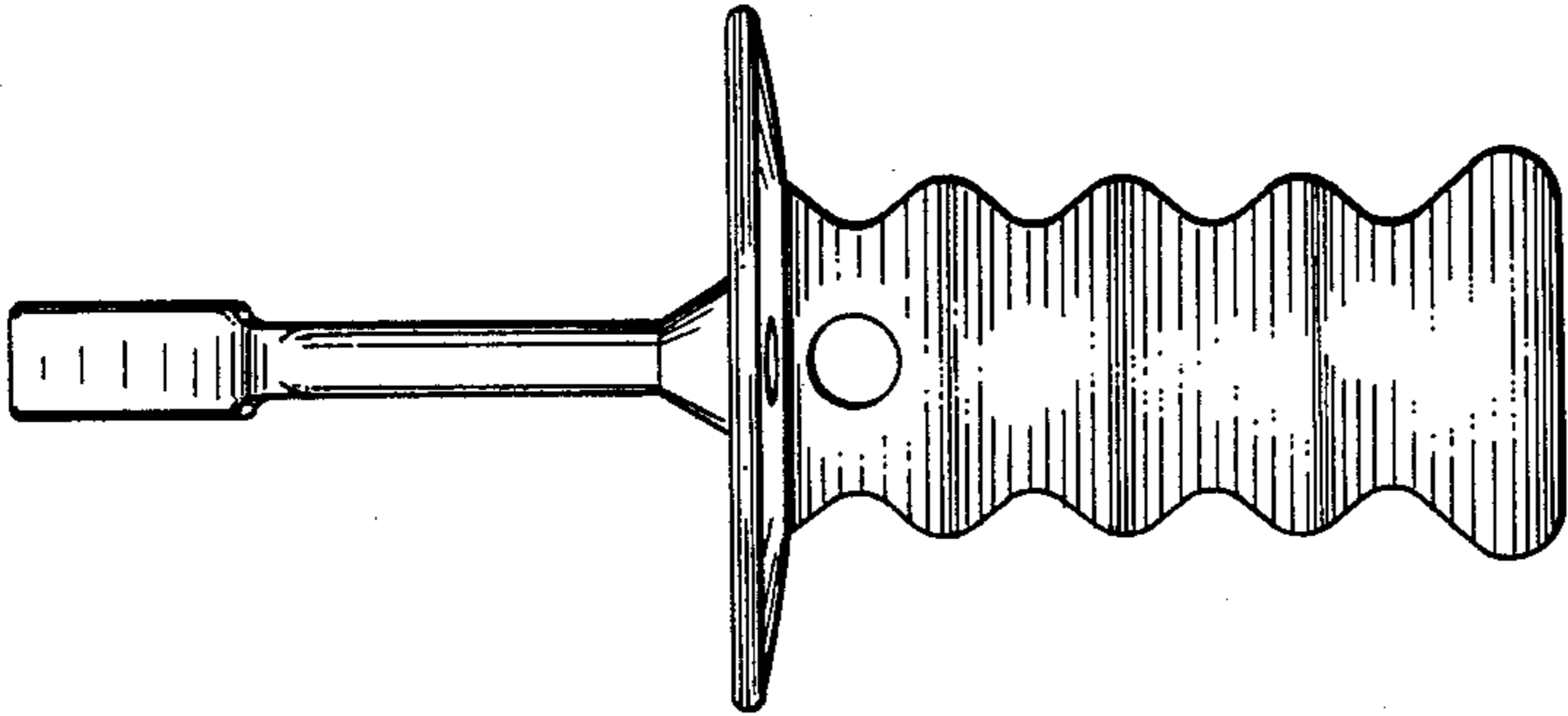
*Fig. 1.*



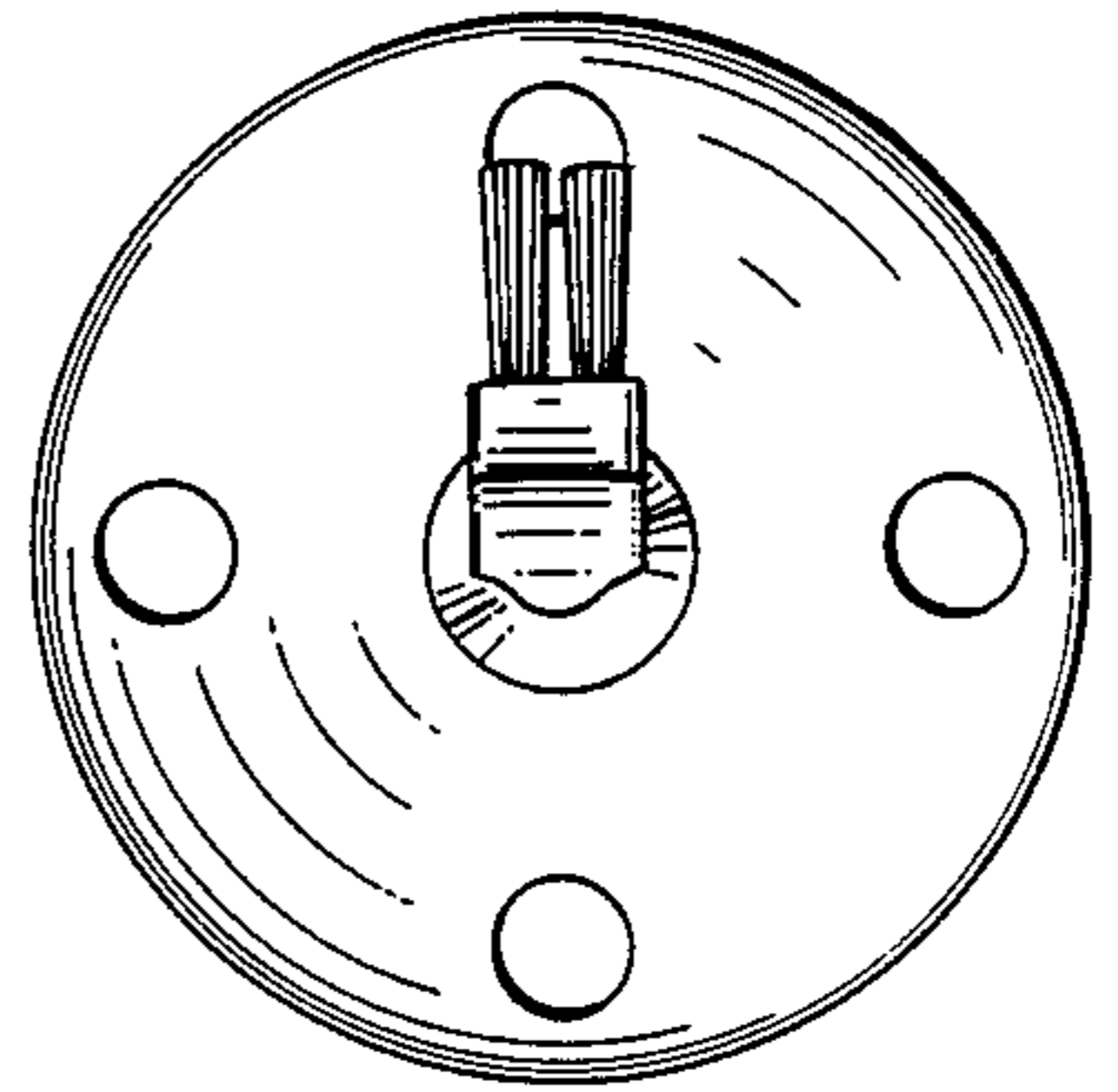
*Fig. 2.*



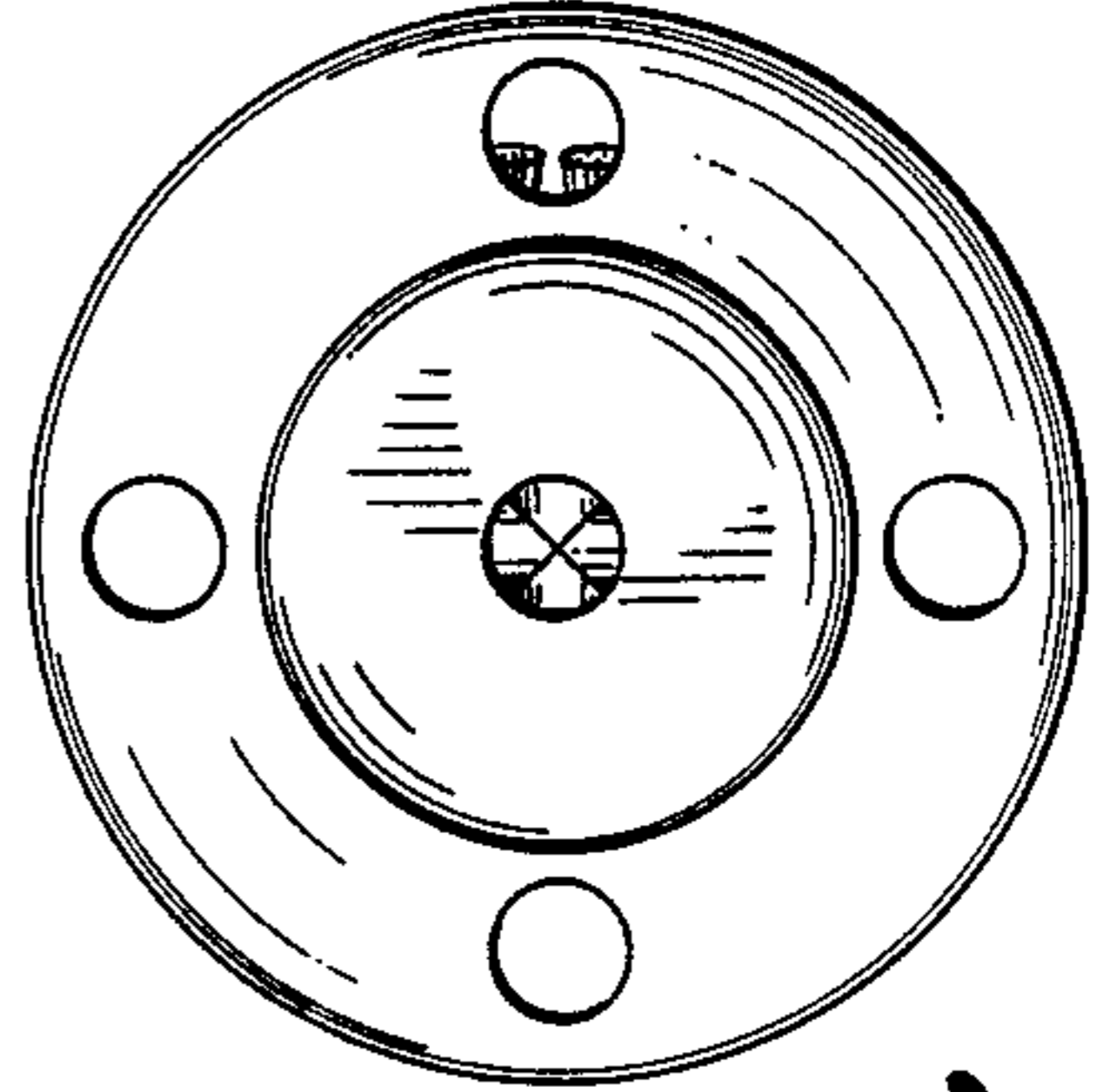
*Fig. 3.*



*Fig. 4.*



*Fig. 5.*



*Fig. 6.*