

United States Patent [19]

Cantu

[11] Patent Number: Des. 301,930

[45] Date of Patent: ** Jun. 27, 1989

[54] COMBINED SCOOP AND COIN WRAPPER FILLER

[76] Inventor: Gloria L. Cantu, 2255 Johnson Rd., Germantown, Tenn. 38138

[**] Term: 14 Years

[21] Appl. No.: 914,798

[22] Filed: Oct. 2, 1986

[52] U.S. Cl. D99/34; D7/50; D7/104; 453/60; 453/62

[58] Field of Search D99/28, 34, 438, 99; D18/3; D7/508, 104; D8/1, 108, 14; 53/25 A; 206/0.8, 0.81, 0.82, 0.83, 0.84; 453/50, 51, 52, 59, 60, 62

[56] **References Cited**

U.S. PATENT DOCUMENTS

D. 201,974	8/1965	Bell	D99/34
D. 236,938	9/1975	Bowen	D7/104 X
1,407,140	2/1922	Friesen	453/62 X
1,457,261	5/1923	Mathewes	53/254
1,491,522	4/1924	Downey	453/62 X
2,182,464	12/1939	Blackstone	53/254

2,355,201	8/1944	Blackstone	53/254
2,996,864	8/1961	Cook	53/254
3,163,170	12/1964	Gates	453/61
3,255,570	6/1966	Weimer	D7/104 X
4,091,599	5/1978	Lemieux	53/254

Primary Examiner—James R. Largen
Attorney, Agent, or Firm—Nies, Webner, Kurz & Bergert

[57] **CLAIM**

The ornamental design for a combined scoop and coin wrapper filler, as shown and described.

DESCRIPTION

FIG. 1 is a perspective view taken from the top, one side and one end of a combined scoop and coin wrapper filler showing my new design;
FIG. 2 is an exploded side elevational view thereof, the opposite side being a mirror image of the side shown;
FIG. 3 is an exploded end elevational view thereof;
FIG. 4 is an exploded elevational view taken from the end opposite that shown in FIG. 3;
FIG. 5 is a top plan view thereof; and
FIG. 6 is a bottom plan view thereof.

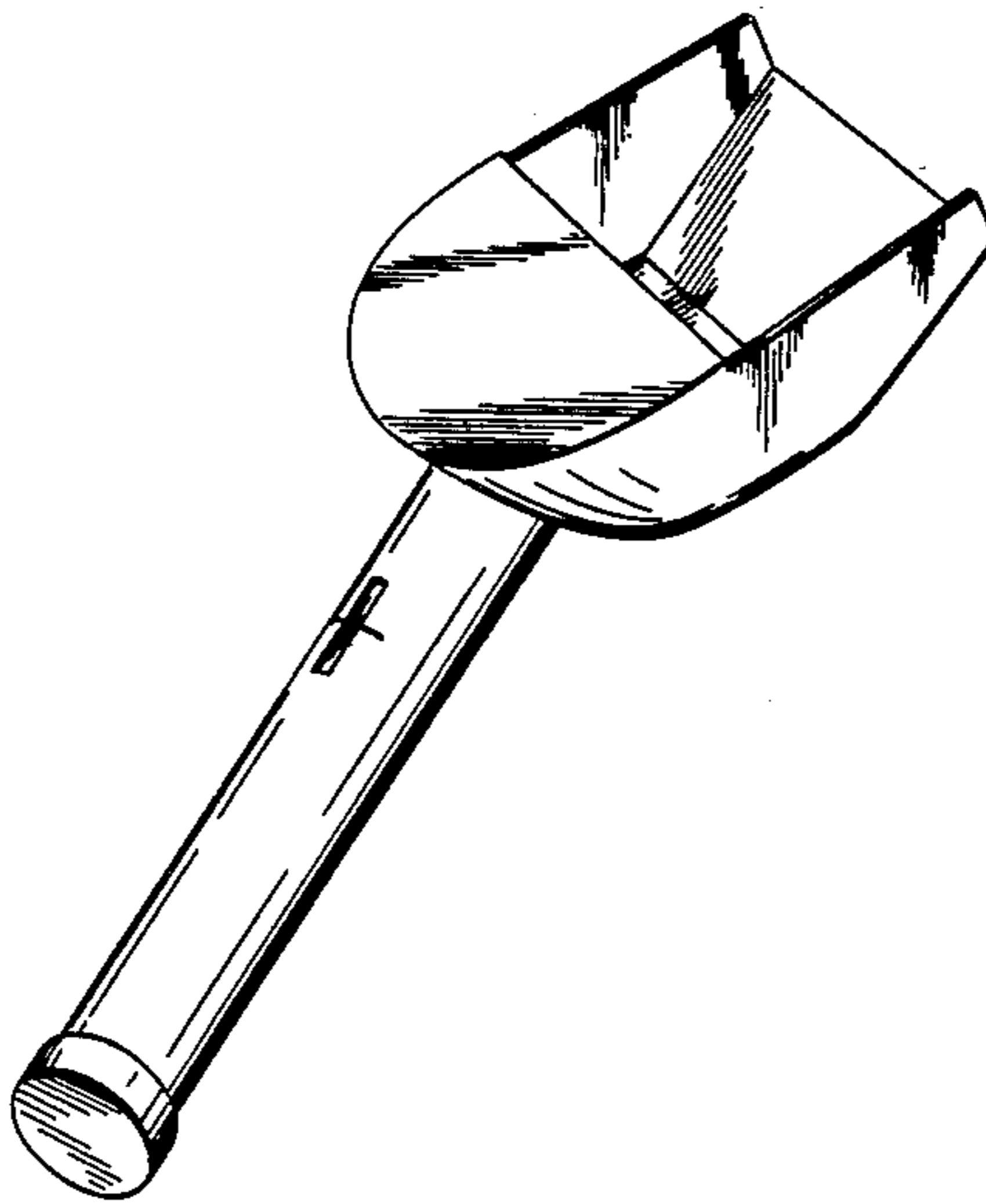


Fig. 1

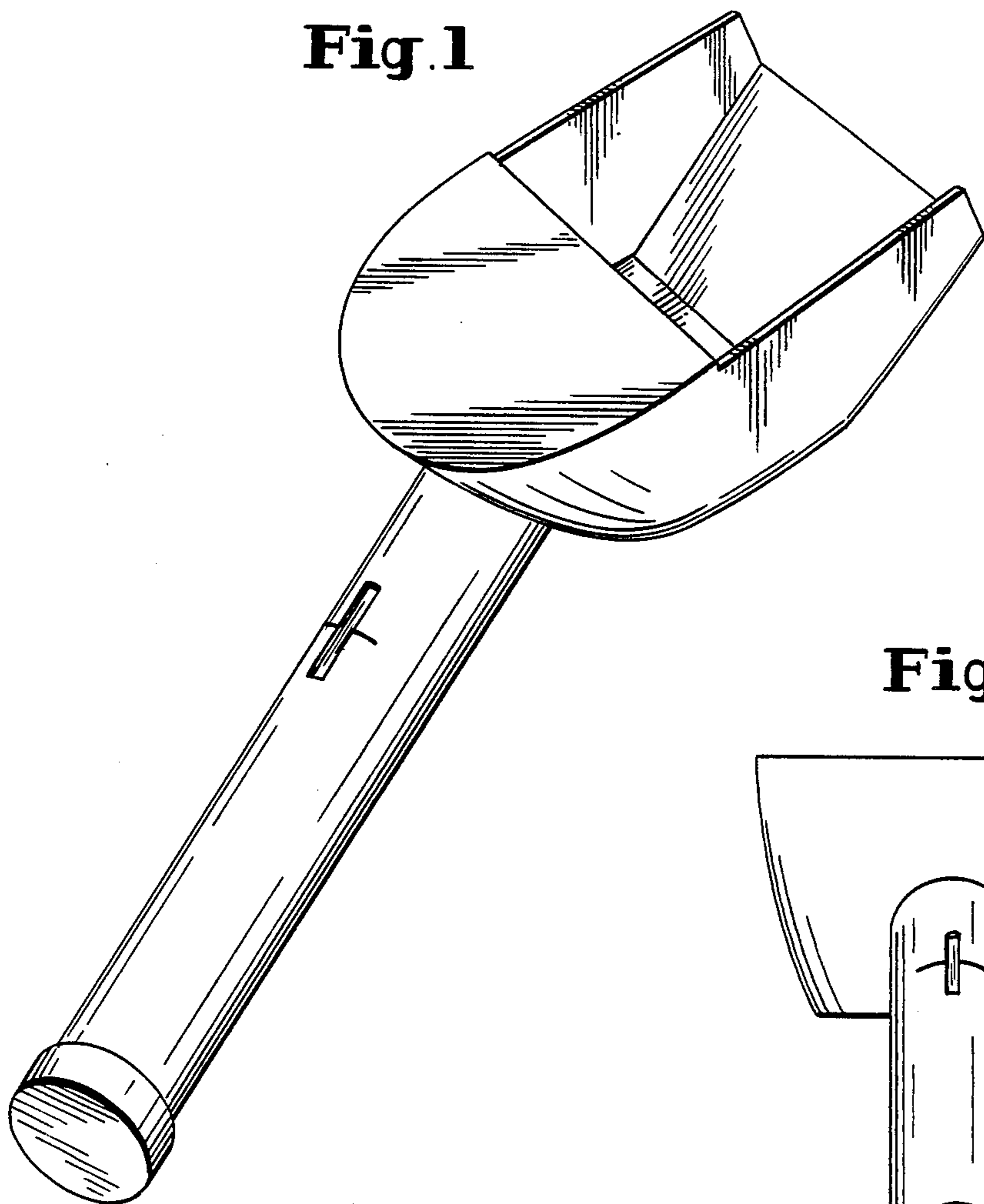


Fig. 3

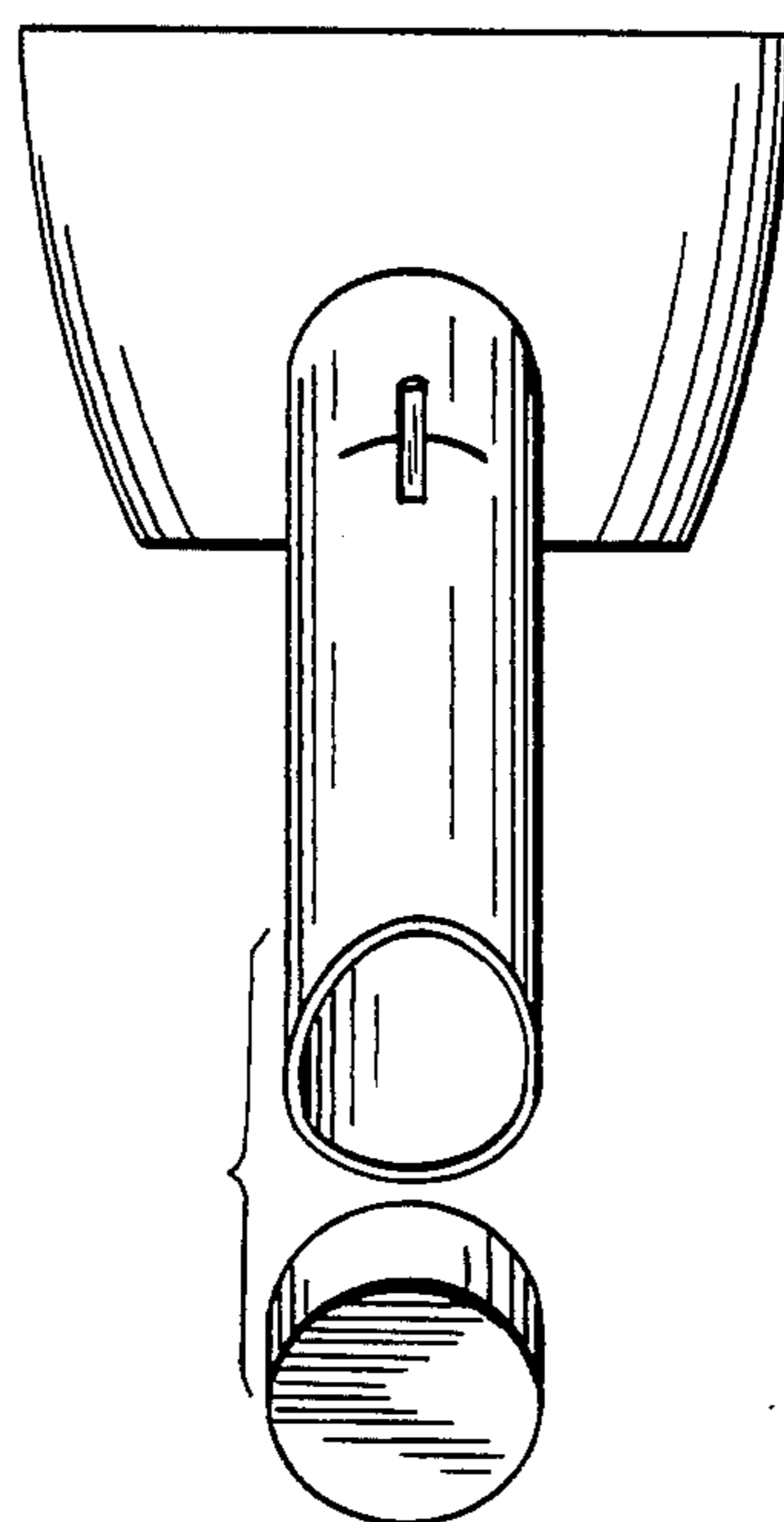


Fig. 2

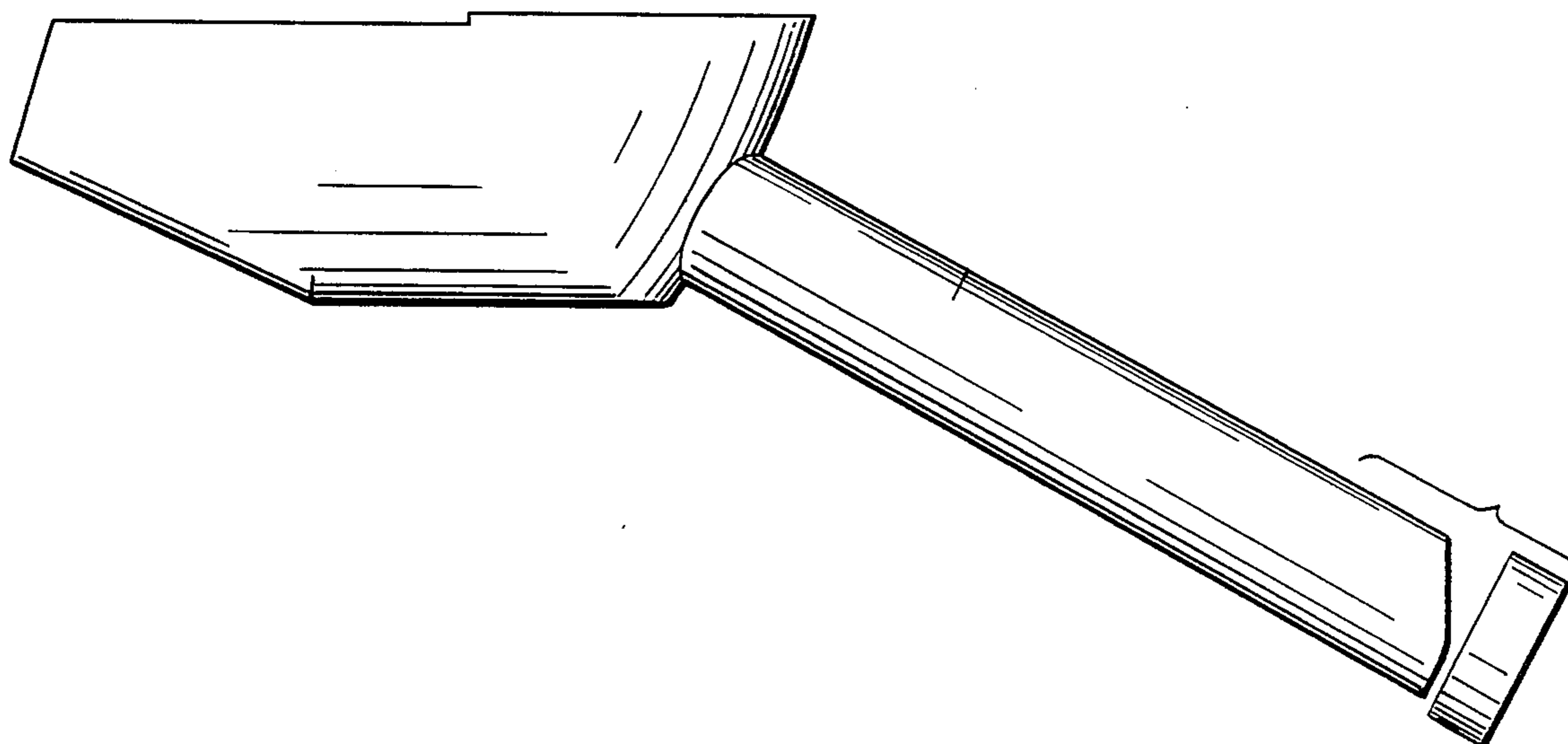


Fig. 4

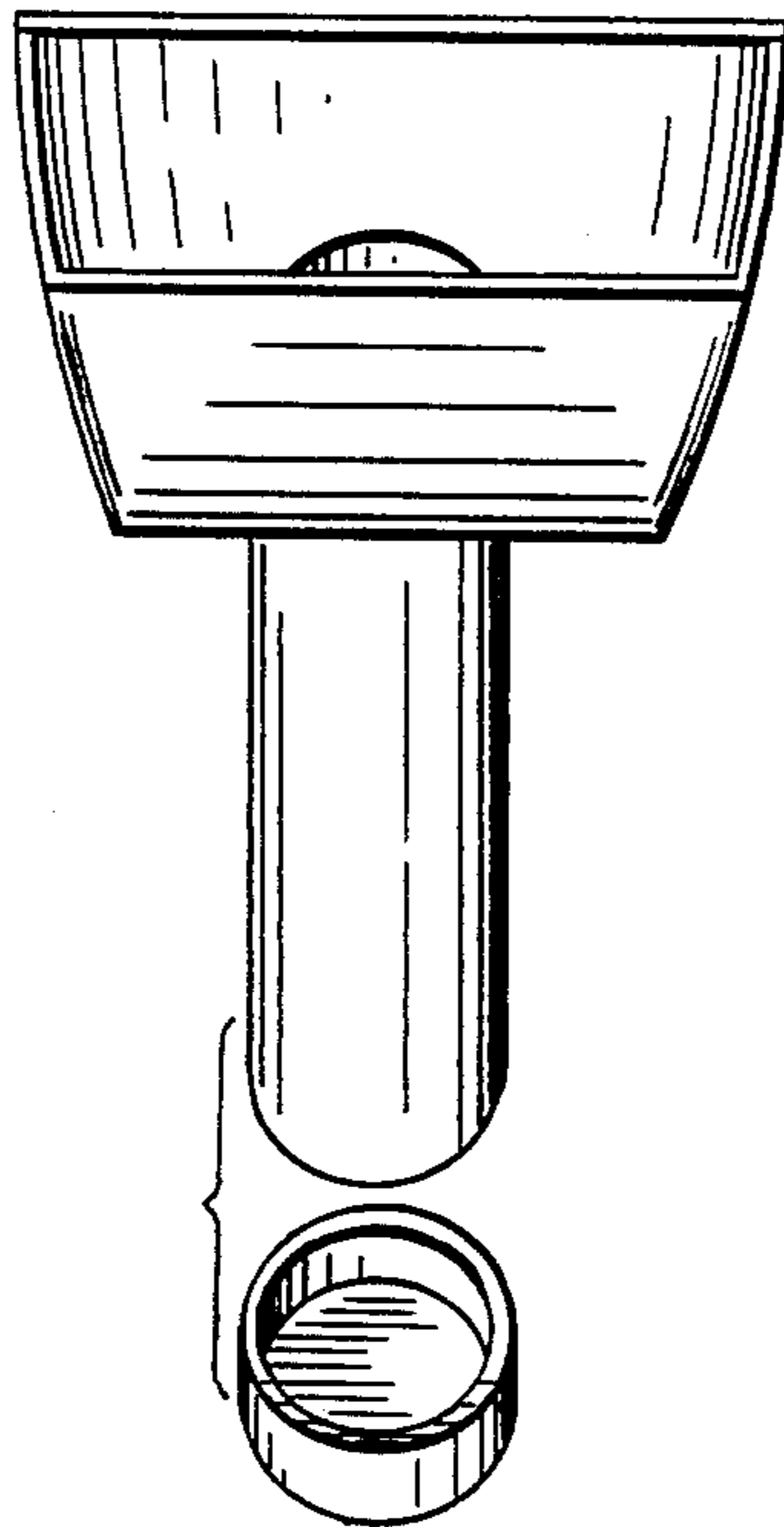


Fig. 5

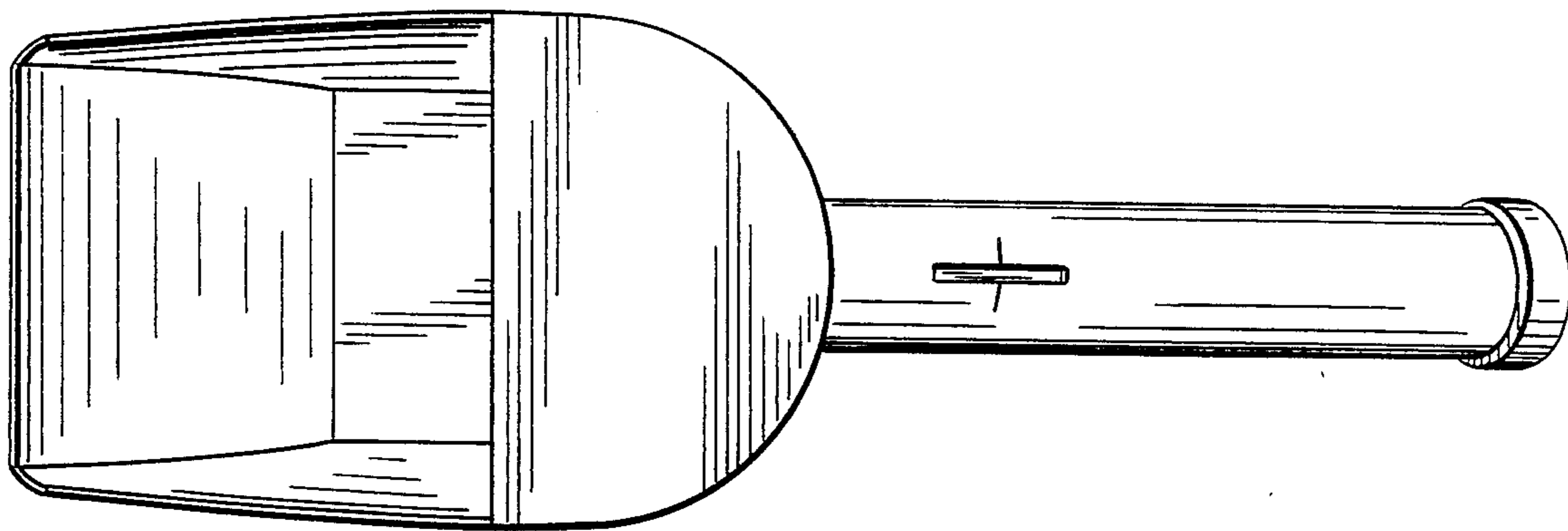


Fig. 6

