

[54] **STACKABLE BIN BOX**

[76] **Inventor:** Charles A. Williams, Jr., 19 Port
Norfolk St., Boston, Mass.
02122-3609

[**] **Term:** 14 Years

[21] **Appl. No.:** 768,710

[22] **Filed:** Aug. 23, 1985

[52] **U.S. Cl. D34/40**

[58] **Field of Search D34/40; D7/76; 211/126**

[56] **References Cited**

U.S. PATENT DOCUMENTS

D. 205,866	9/1966	Asenbauer	D7/76 X
D. 210,681	4/1968	Gould	D7/76
D. 224,369	7/1972	Mears	D7/76 X
D. 274,012	5/1984	Williams	D34/40

OTHER PUBLICATIONS

Industrial Plastics, 1978-1979, Catalog, p. 54, Item No. 54107, Tray.

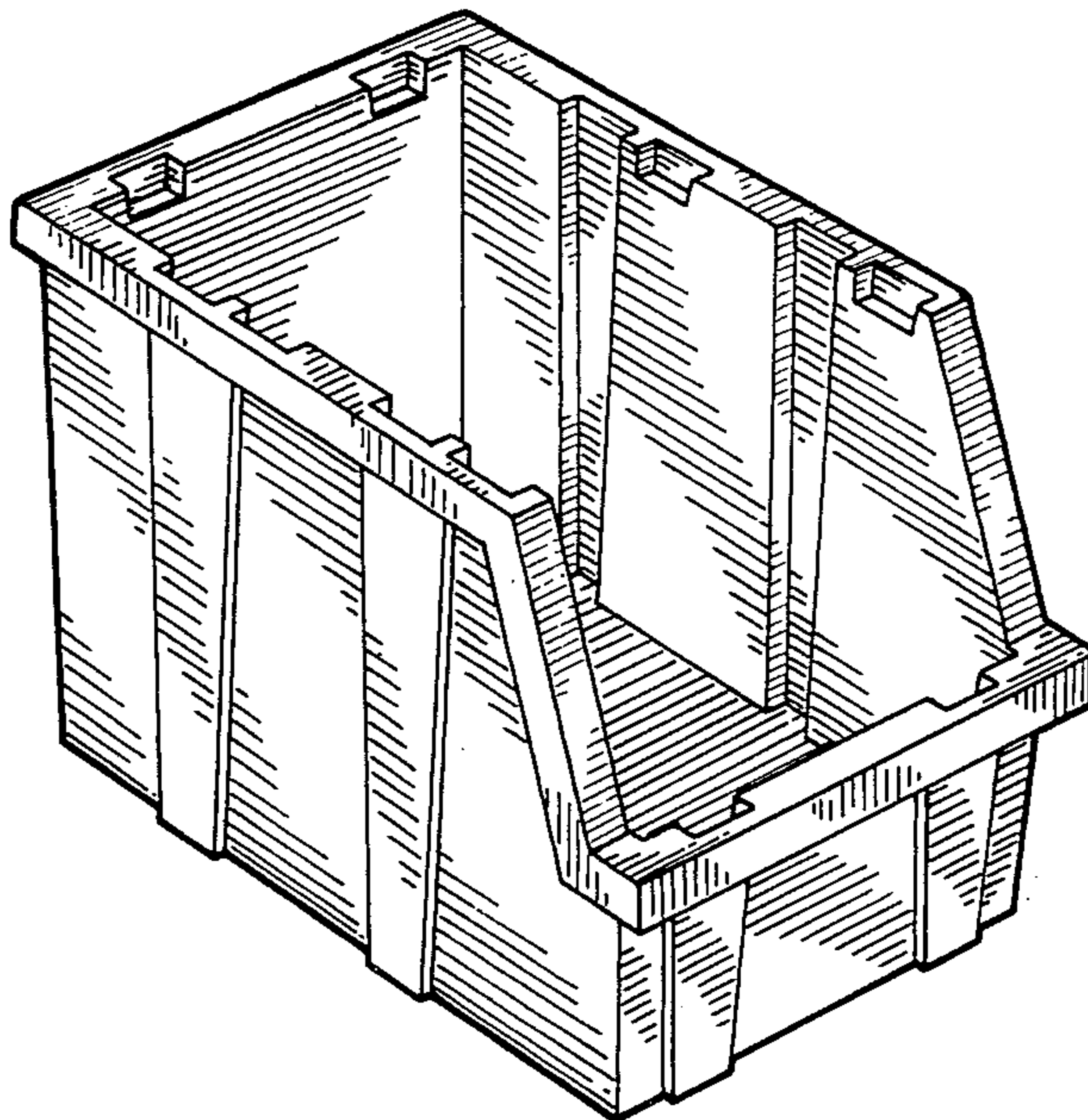
Primary Examiner—Nelson C. Holtje
Attorney, Agent, or Firm—Joseph H. Killion

[57] **CLAIM**

The ornamental design for a stackable bin box, as shown.

DESCRIPTION

FIG. 1 is an isometric view of a stackable bin box;
FIG. 2 is a top plan view;
FIG. 3 is a rear elevational view;
FIG. 4 is a side elevational view;
FIG. 5 is a front elevational view of a stackable bin box design.



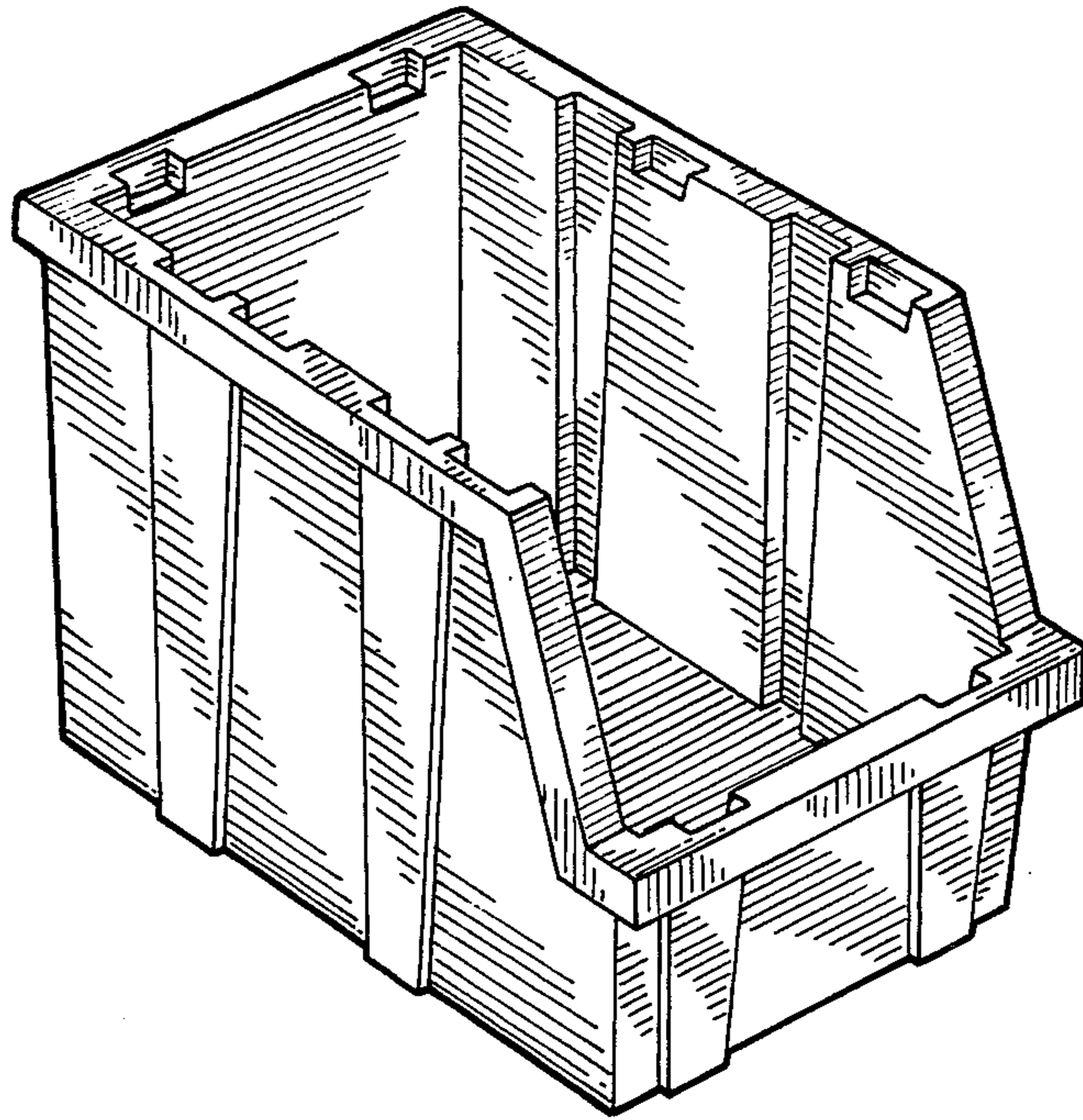


FIG. 1

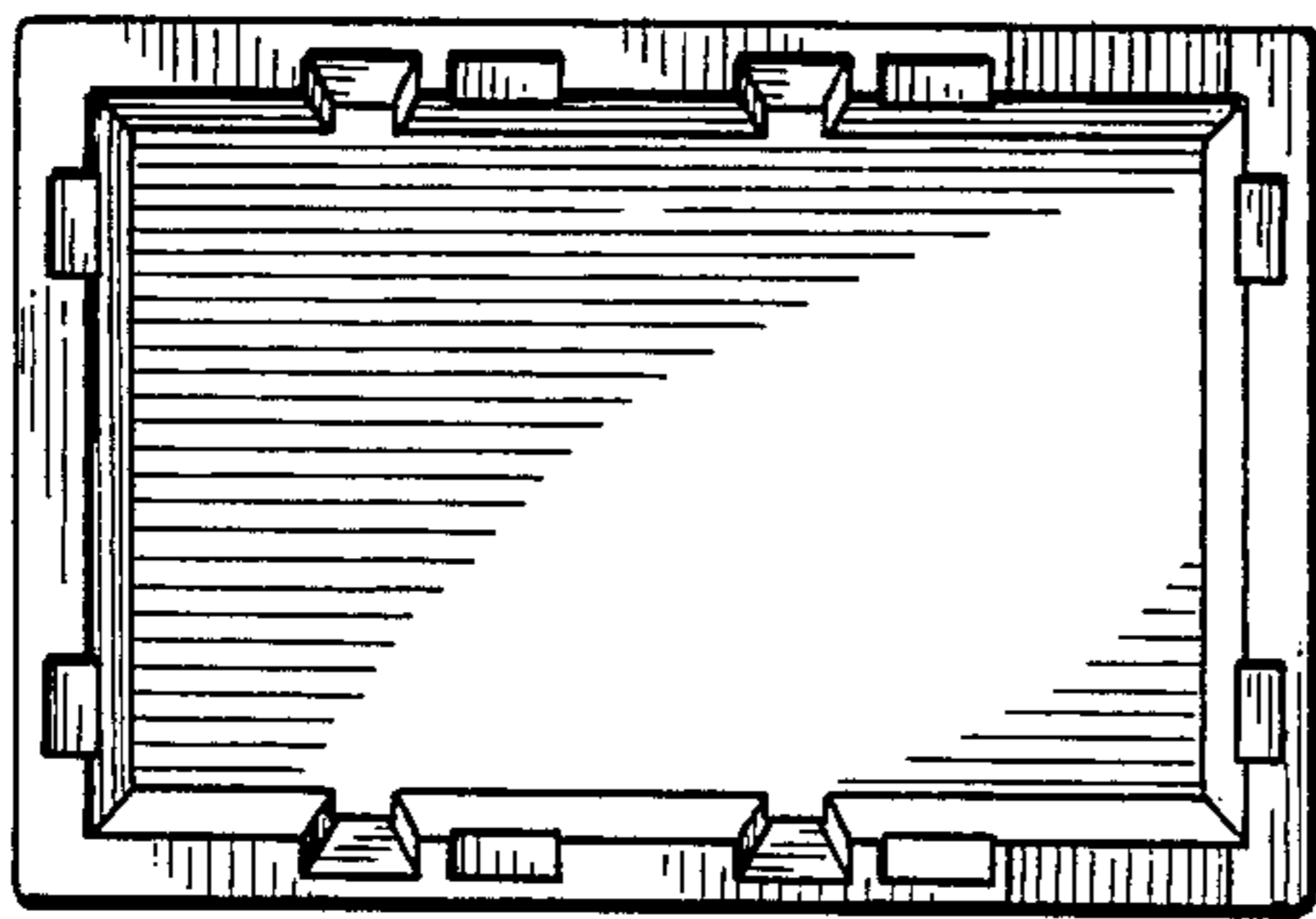


FIG. 2

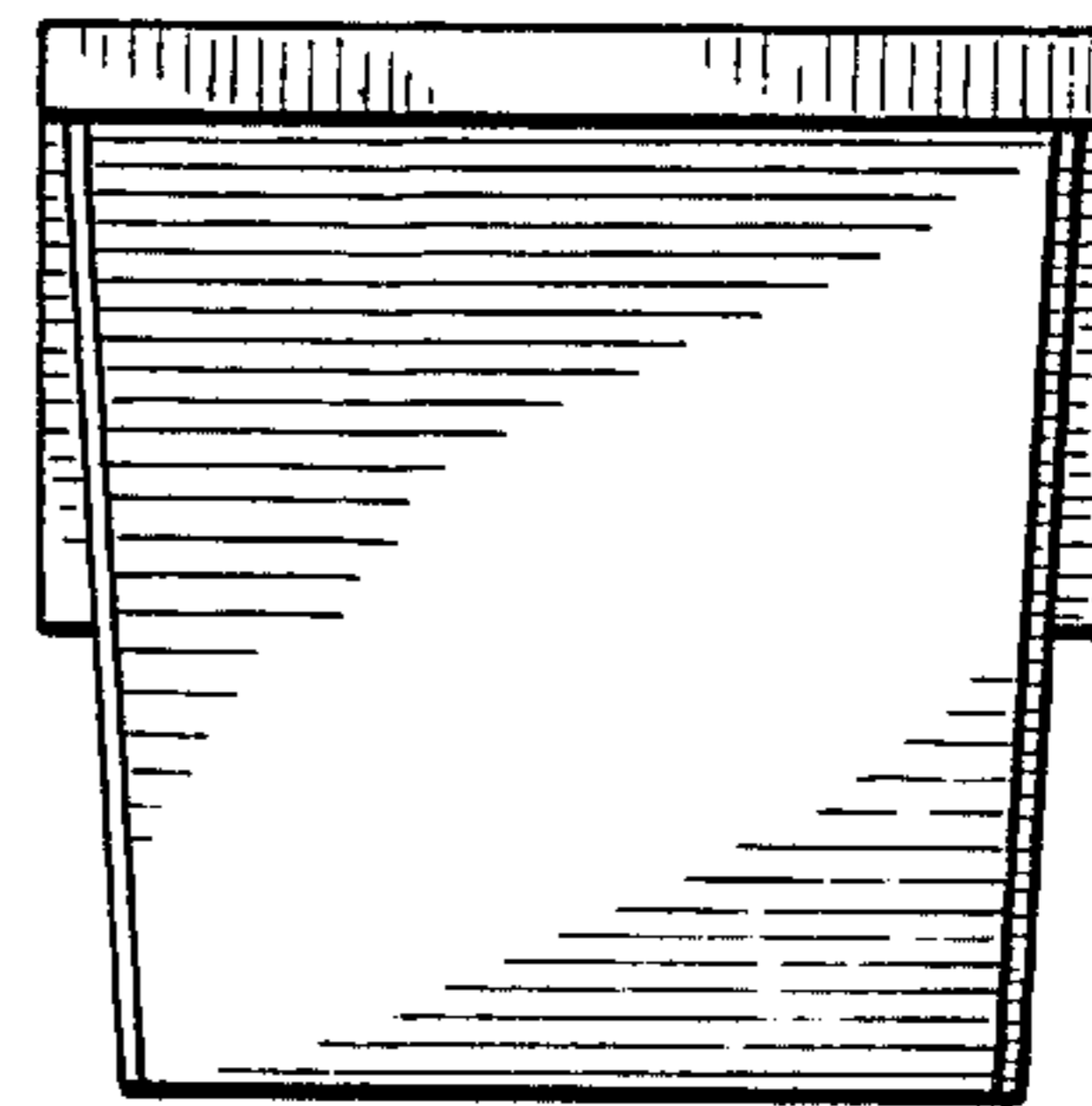


FIG. 3

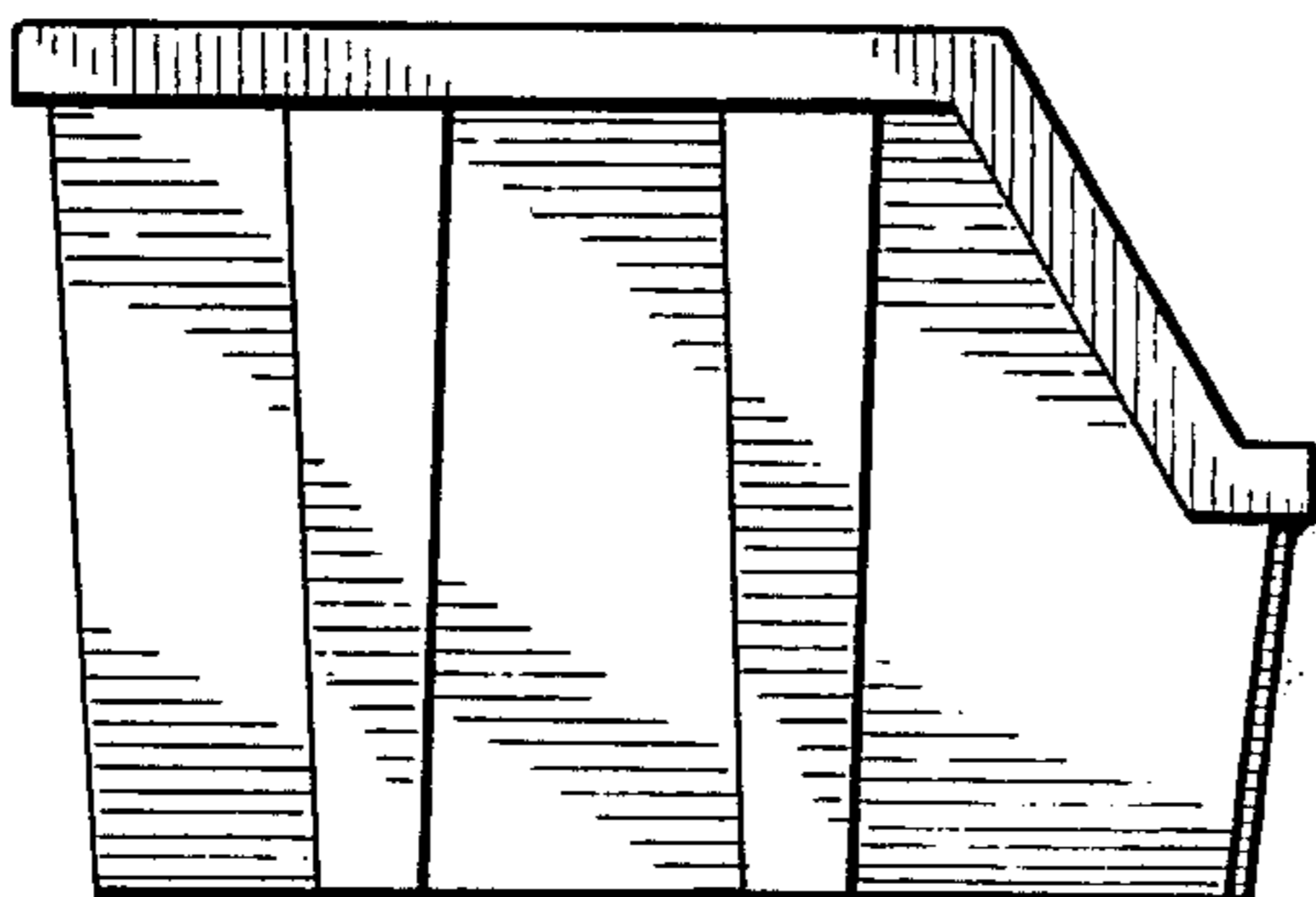


FIG. 4

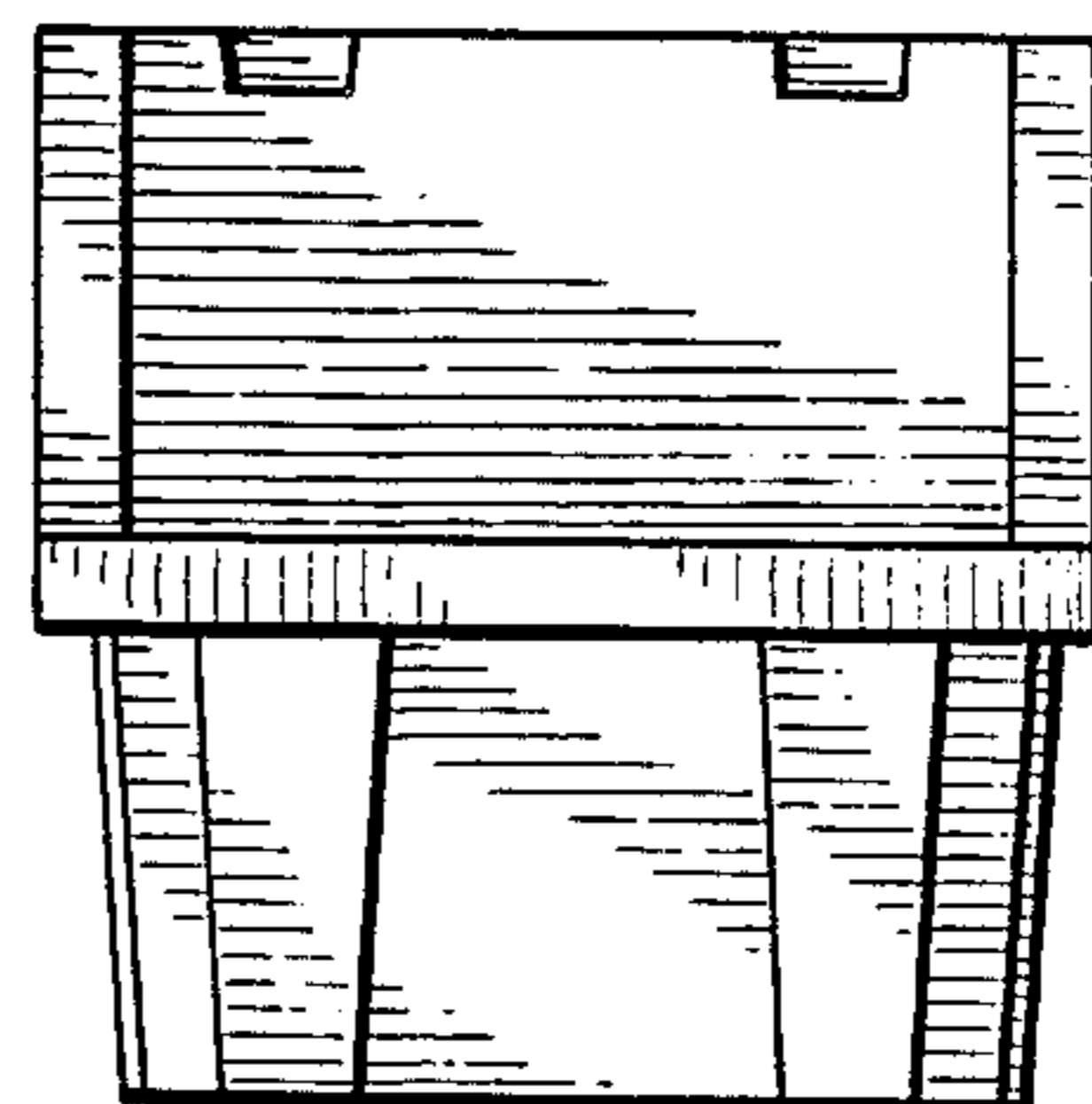


FIG. 5