

# United States Patent [19]

Simpkins et al.

[11] Patent Number: **Des. 301,925**

[45] Date of Patent: **\*\* Jun. 27, 1989**

[54] **EXAMINATION TABLE**

[75] Inventors: **Terry J. Simpkins**, Snowmass Village, Colo.; **Richard L. Turner**, Coldwater, Ohio

[73] Assignee: **Midmark Corporation**, Versailles, Ohio

[\*\*] Term: **14 Years**

[21] Appl. No.: **917,321**

[22] Filed: **Oct. 9, 1986**

[52] U.S. Cl. .... **D24/3**

[58] Field of Search ..... **D24/3, 1.1; 269/325, 269/322, 328, 323, 324; 5/63, 65, 66, 68, 91; 312/209; D6/397**

[56] **References Cited**

**U.S. PATENT DOCUMENTS**

- D. 170,305 9/1953 Claus ..... D24/3
- D. 204,222 3/1966 Dailey ..... D24/3
- D. 245,287 8/1977 Damico et al. .... D24/3

- D. 265,241 6/1982 Patterson ..... D24/3
- D. 265,242 6/1982 Patterson ..... D24/3
- 3,334,951 8/1967 Douglas, Jr. et al. .... 269/324
- 3,638,935 2/1972 Lelugas et al. .... 5/68

*Primary Examiner*—Wallace R. Burke  
*Assistant Examiner*—Stella M. Reid  
*Attorney, Agent, or Firm*—Biebel, French & Nauman

[57] **CLAIM**

The ornamental design for an examination table, as shown.

**DESCRIPTION**

FIG. 1 is a perspective view of an examination table showing our new design in reclined position; FIG. 2 is a side elevational view thereof; FIG. 3 is a top plan view thereof; FIG. 4 is a left side elevational view thereof, as viewed from FIG. 1; FIG. 5 is a right side elevational view thereof, as viewed from FIG. 1; and FIG. 6 is a perspective view thereof, in raised and extended position.

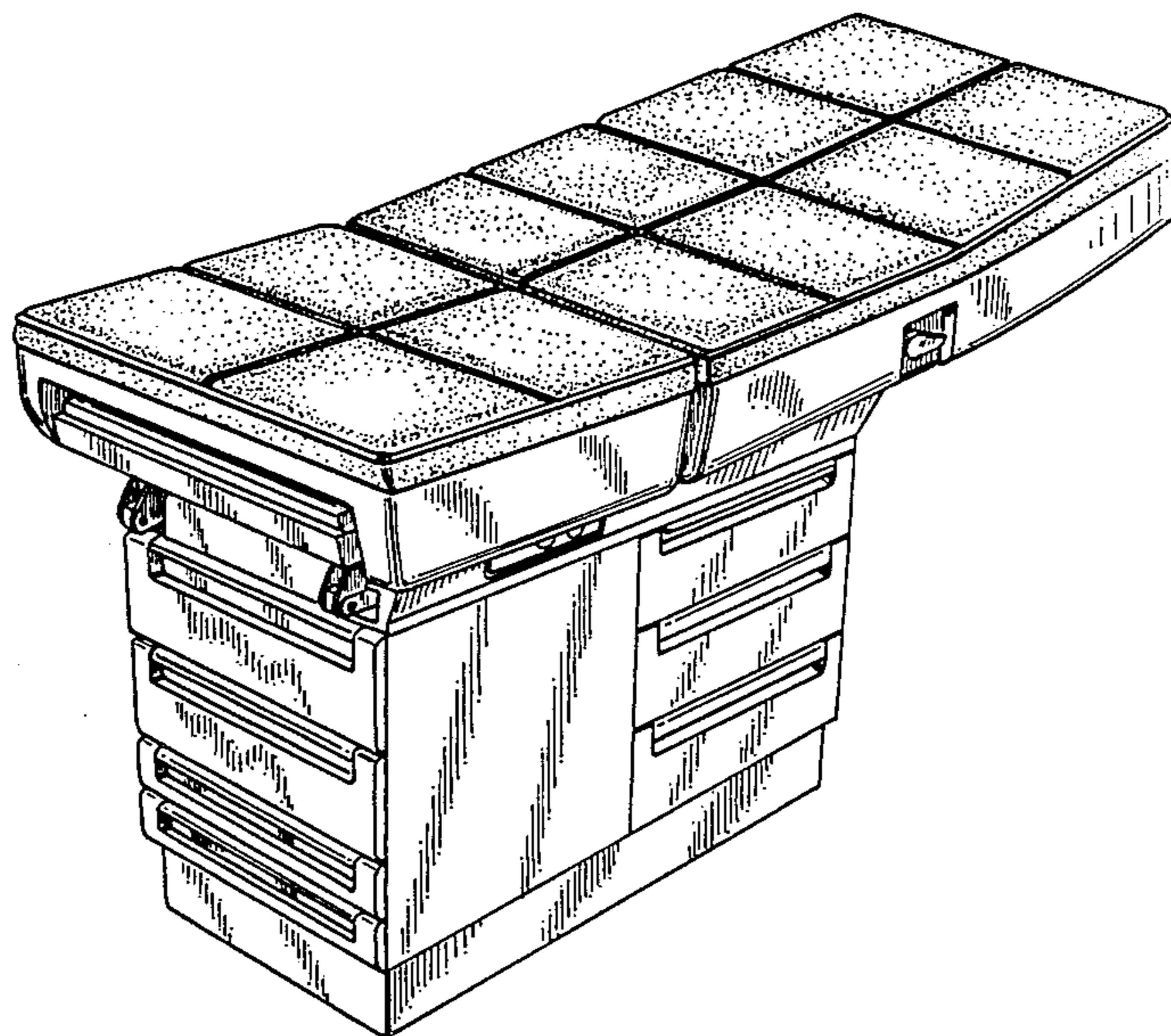


FIG-1

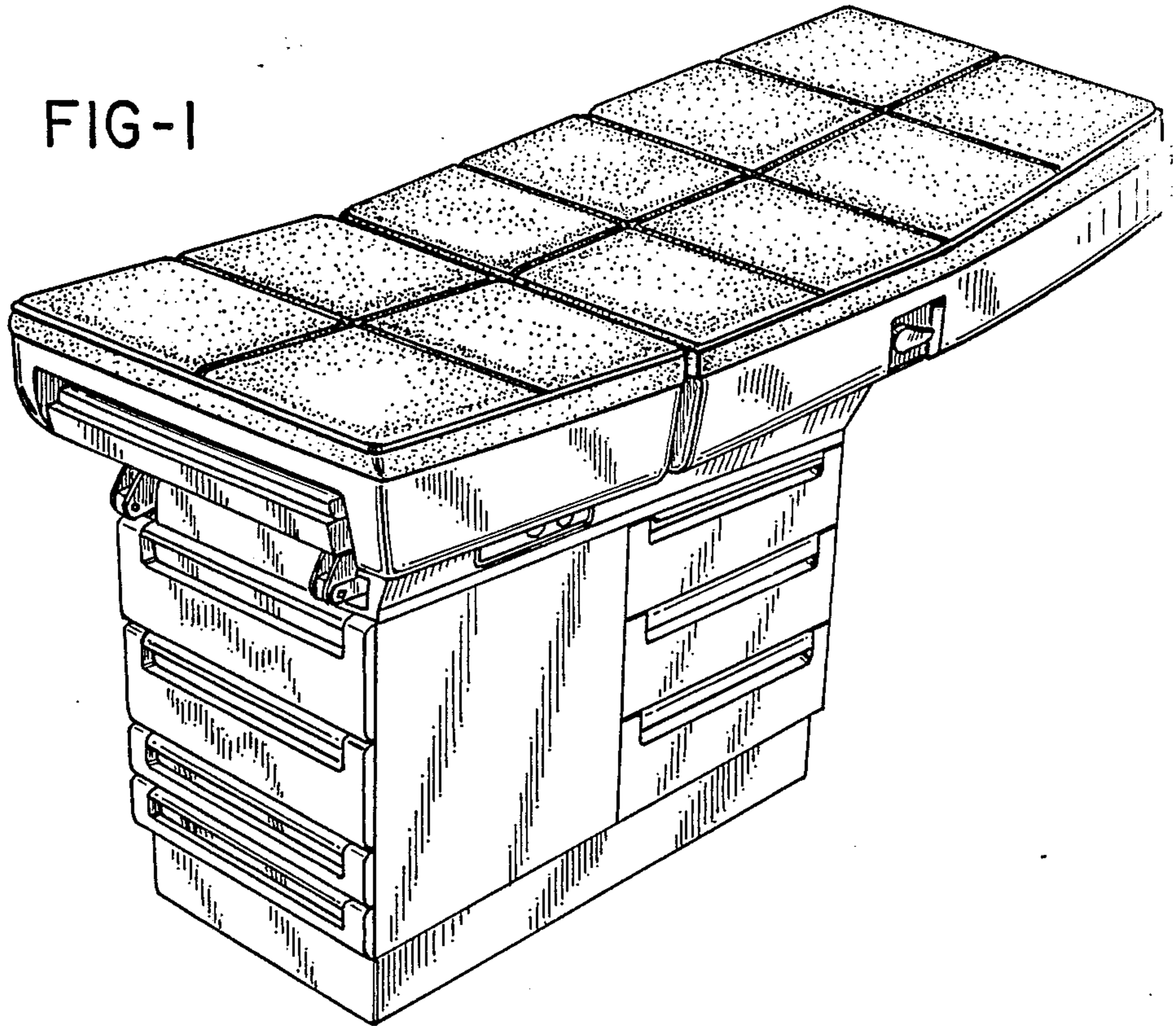
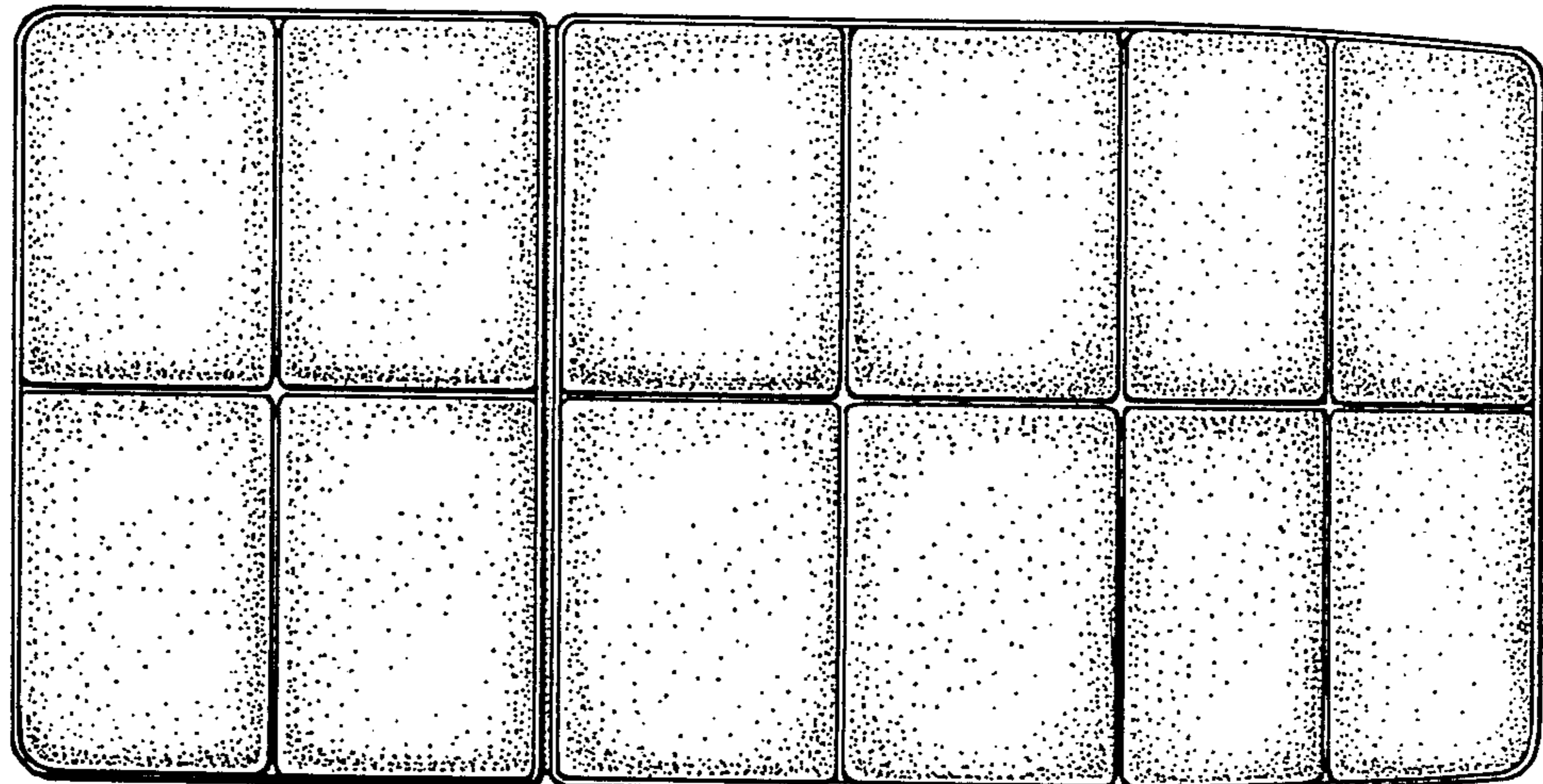


FIG-3



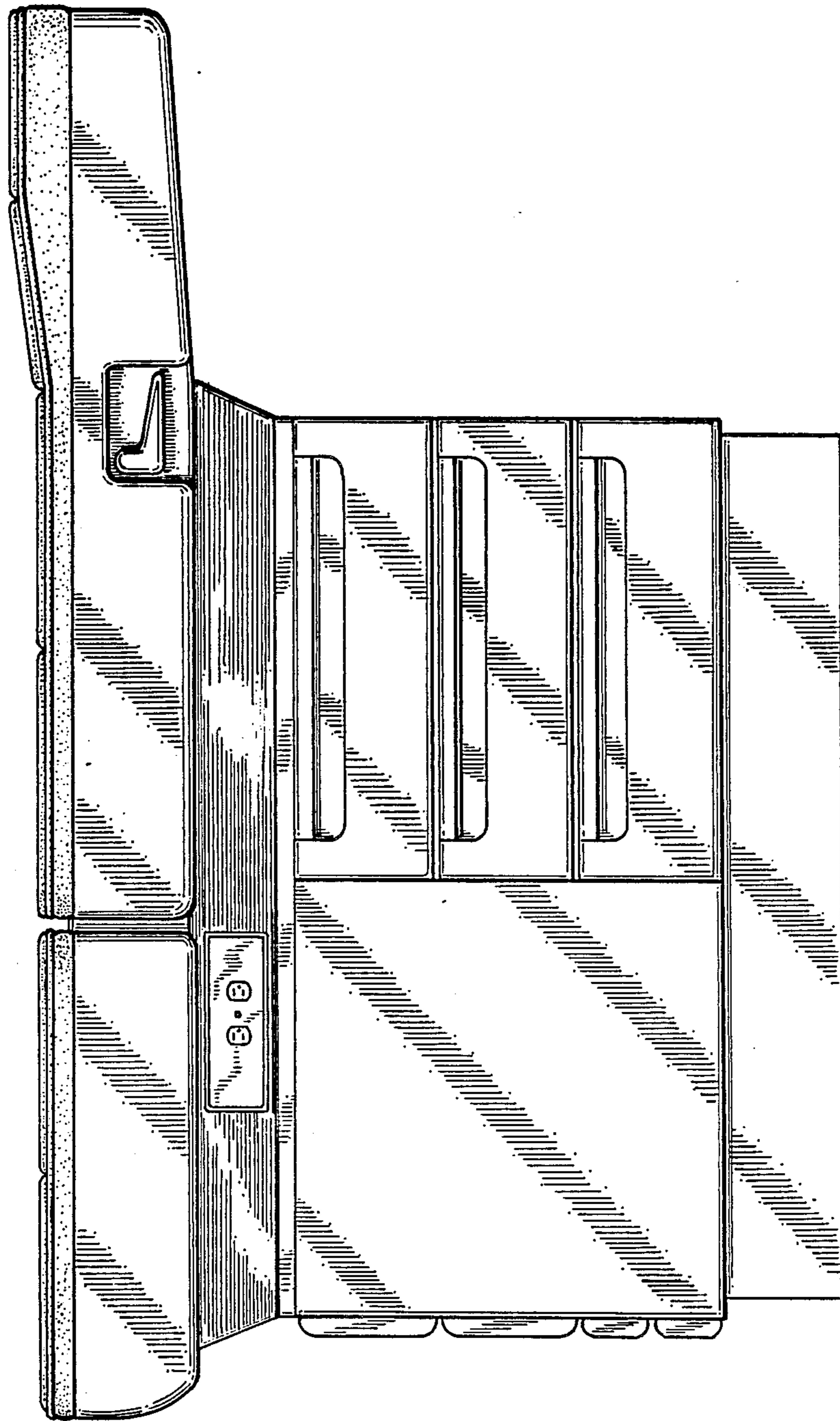


FIG-2

FIG-5

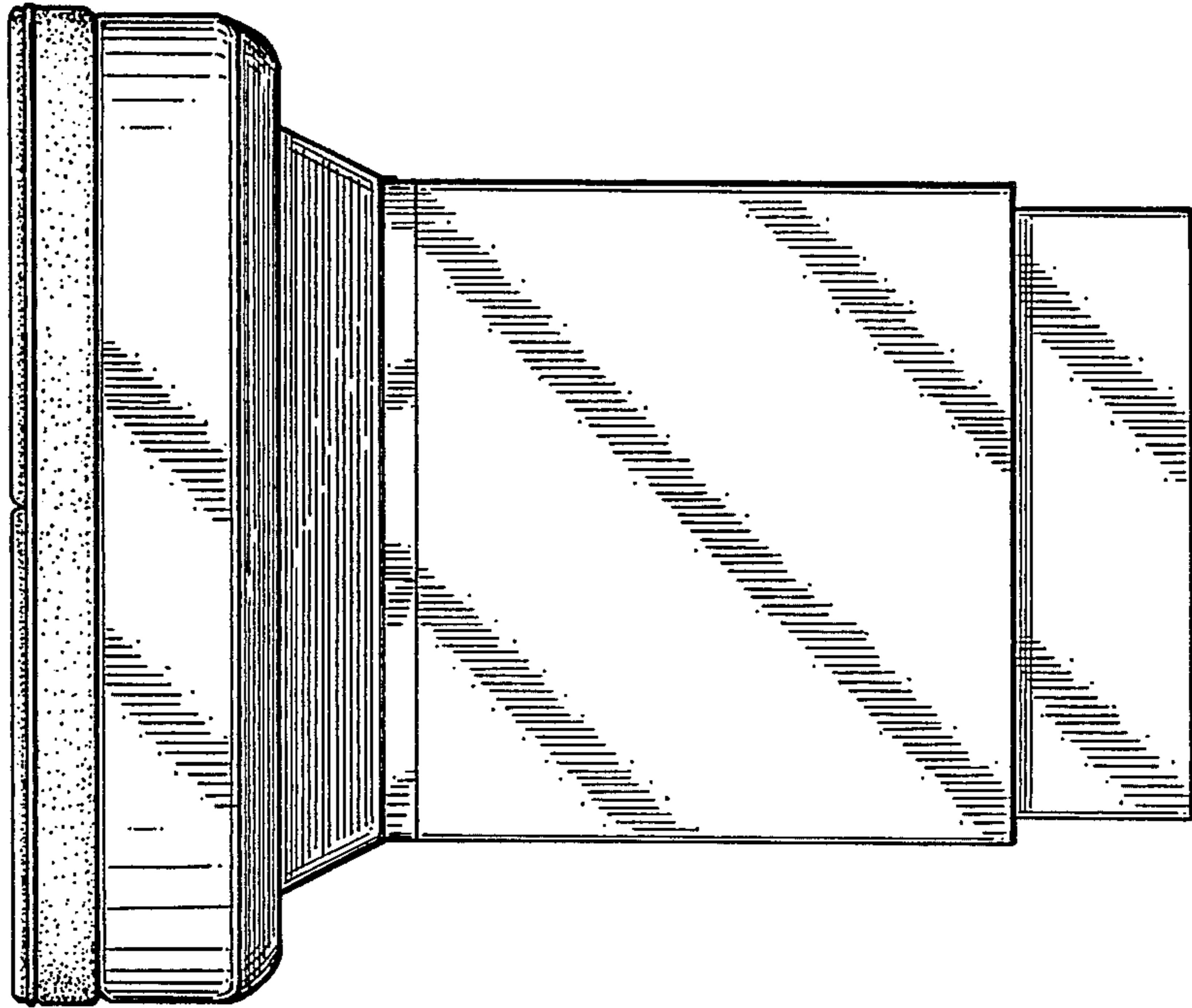
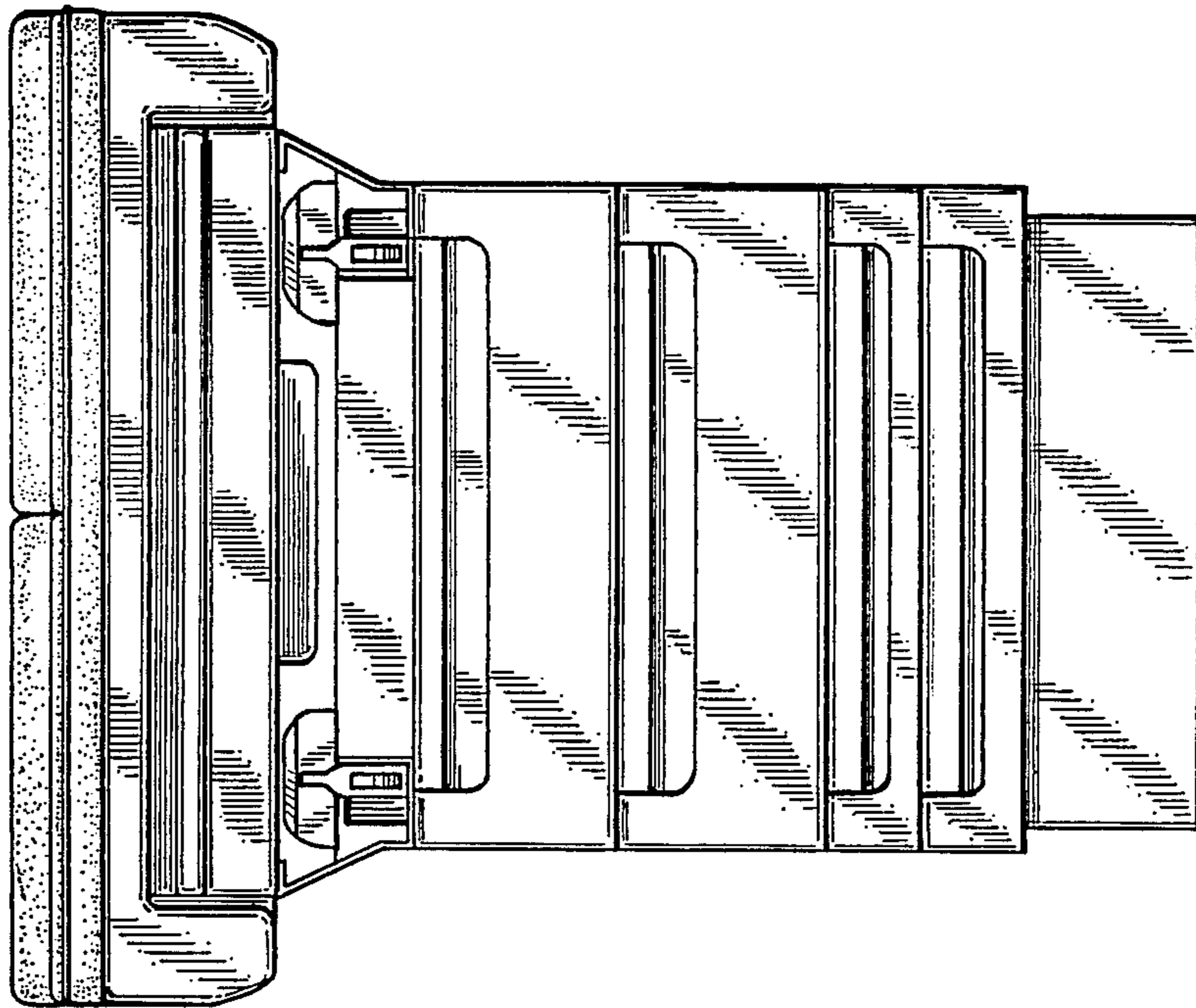


FIG-4



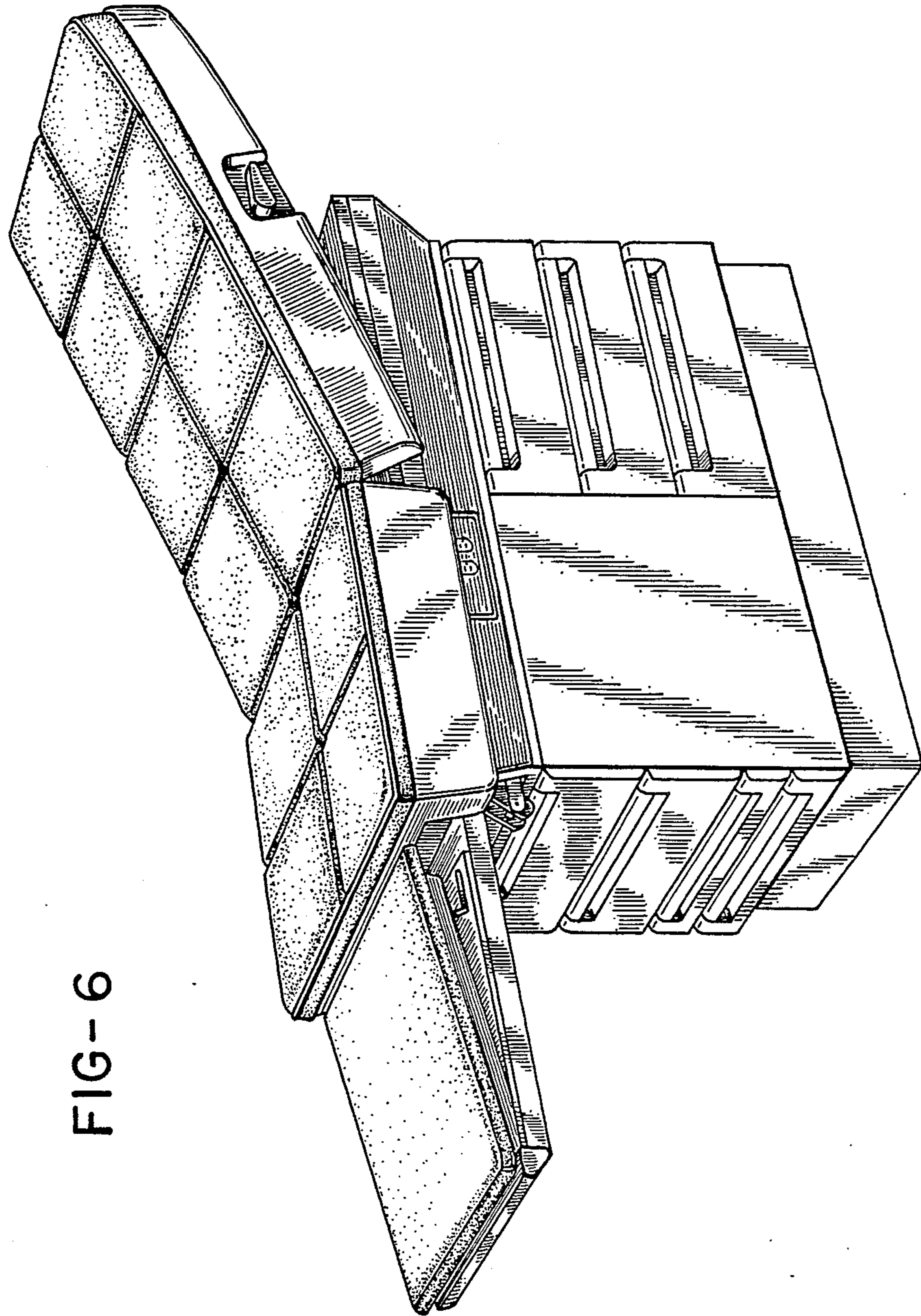


FIG-6