

United States Patent [19]

Craver

[11] Patent Number: **Des. 301,924**

[45] Date of Patent: **** Jun. 27, 1989**

[54] FIREPLACE INSERT

[75] Inventor: **Richard D. Craver, Marshallville, Ohio**

[73] Assignee: **Orrville Products, Inc., Orrville, Ohio**

[*] Notice: The portion of the term of this patent subsequent to Jun. 13, 2003 has been disclaimed.

[**] Term: **14 Years**

[21] Appl. No.: **75,320**

[22] Filed: **Jul. 20, 1987**

[52] U.S. Cl. **D23/344**

[58] Field of Search D23/314, 342-350, D23/403-405; 126/120-122, 126, 138-143, 190, 200

[56] **References Cited**

U.S. PATENT DOCUMENTS

D. 261,922 11/1981 Mariager et al. D23/344

D. 264,261	5/1982	Beeker, Jr.	D23/344
D. 265,237	6/1982	Beek et al.	D23/344
D. 278,179	3/1985	Craver	D23/344
D. 288,595	3/1987	Craver	D23/344
D. 296,924	7/1988	Rumens et al.	D23/343
4,375,803	3/1983	Love	126/121

Primary Examiner—Wallace R. Burke
Assistant Examiner—Brian N. Vinson
Attorney, Agent, or Firm—Body, Vickers & Daniels

[57] **CLAIM**

The ornamental design of a fireplace insert, as shown and described.

DESCRIPTION

FIG. 1 is a perspective view of a fireplace insert showing my design;
FIG. 2 is a top plan view thereof;
FIG. 3 is a front elevational view thereof;
FIG. 4 is a right side elevational view thereof, the left side being a mirror image; and
FIG. 5 is a perspective view of an alternate embodiment thereof, the only difference residing in the flattening of the curved door portion.

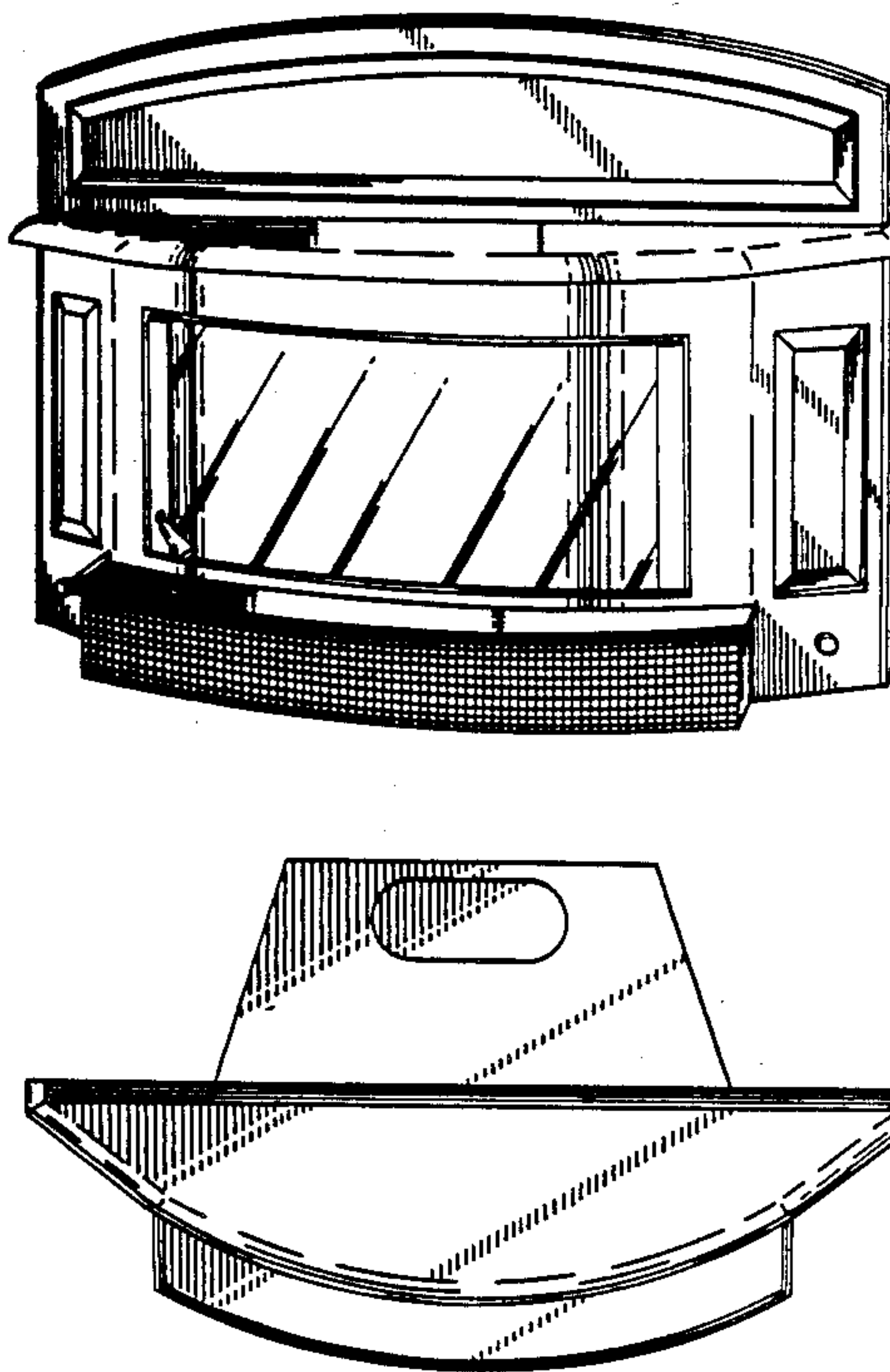


FIG. 1

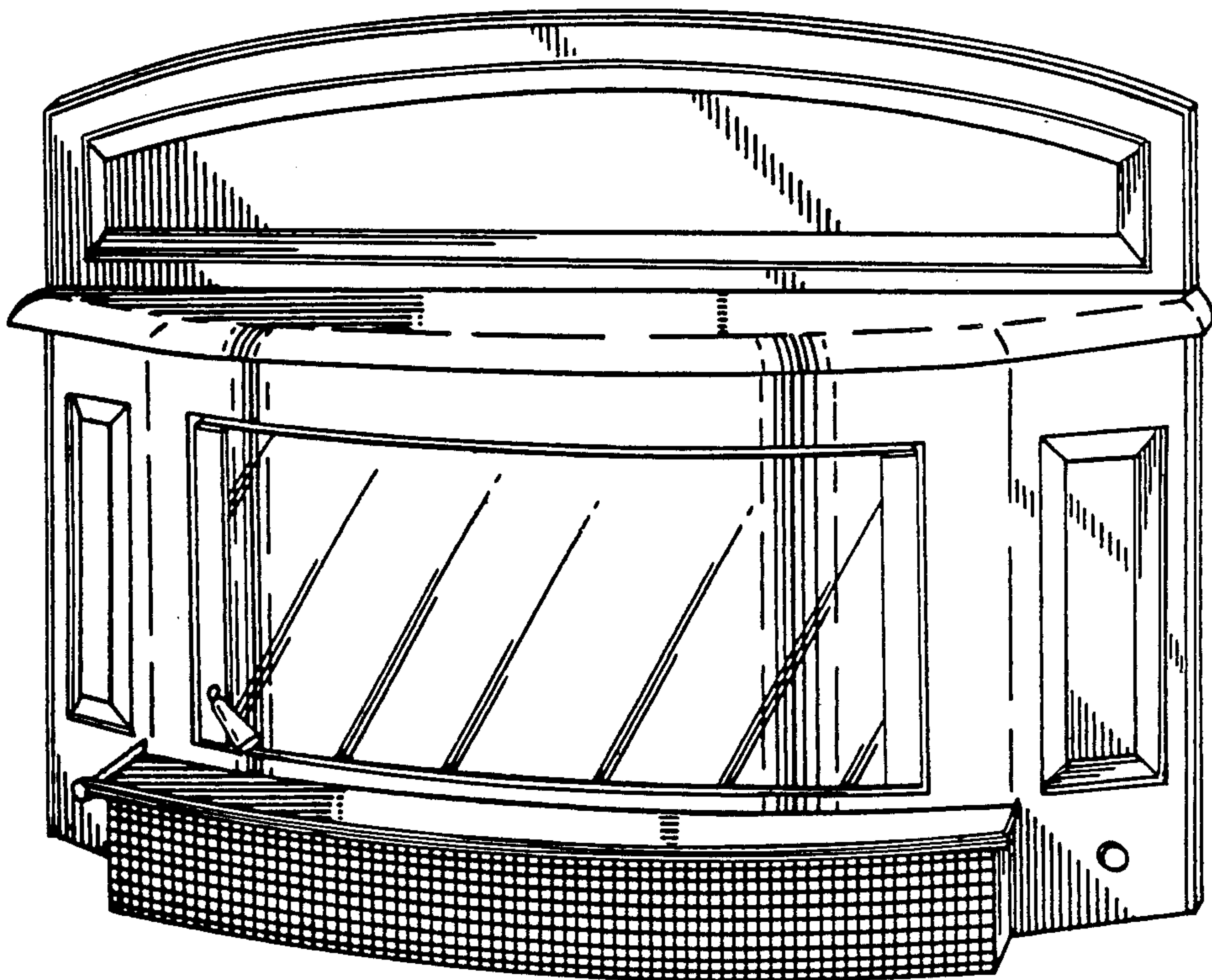


FIG. 2

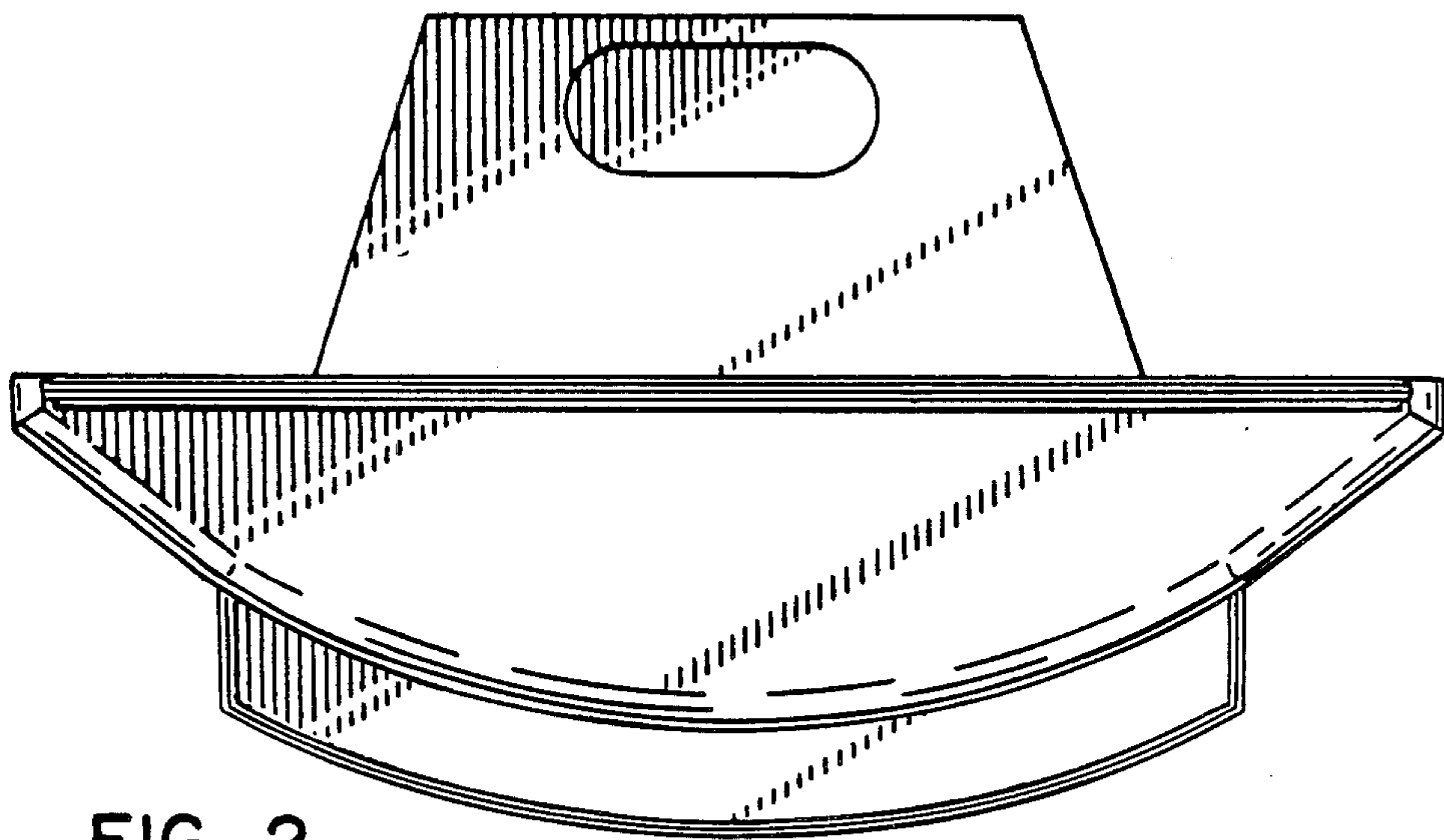


FIG. 3

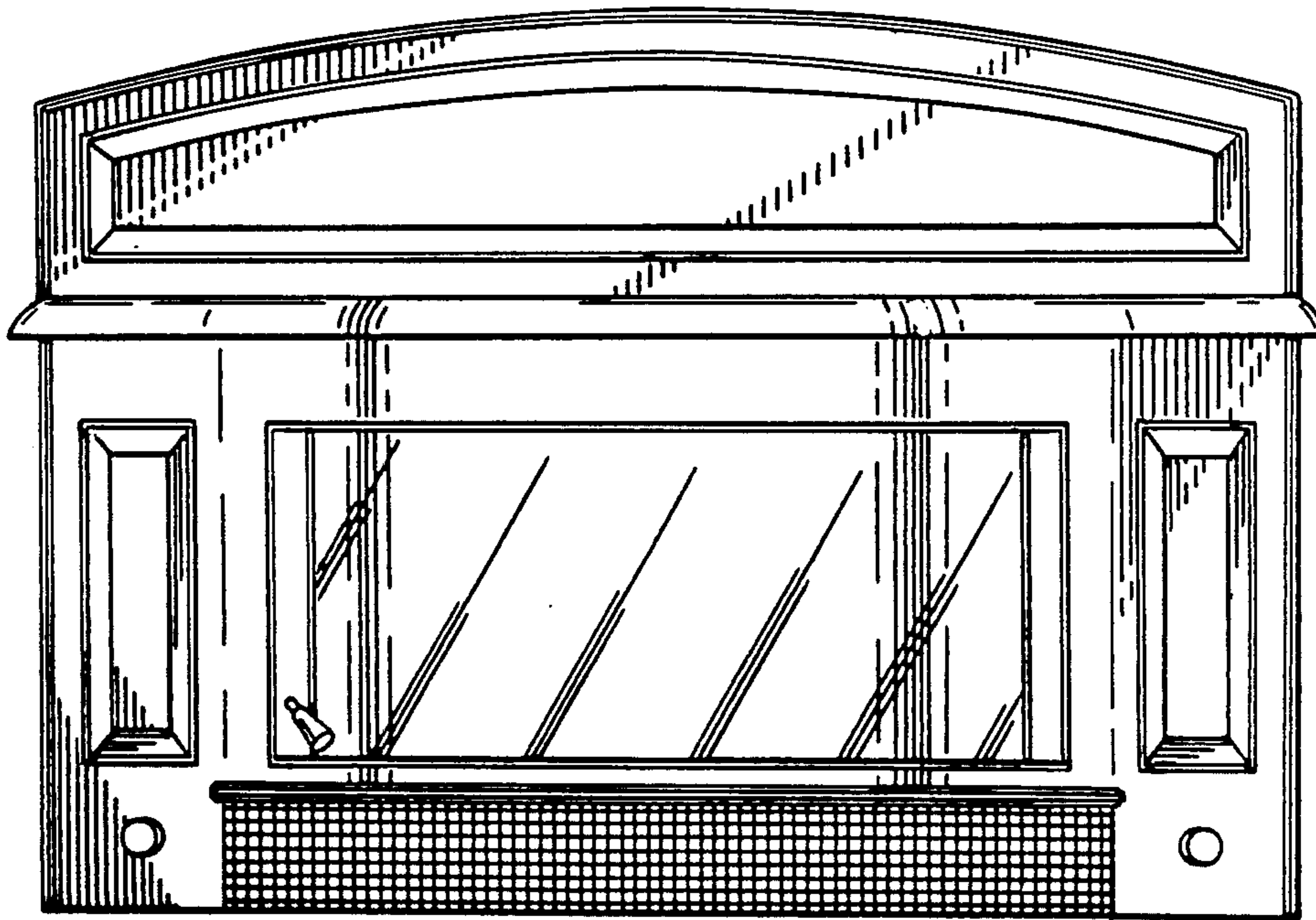
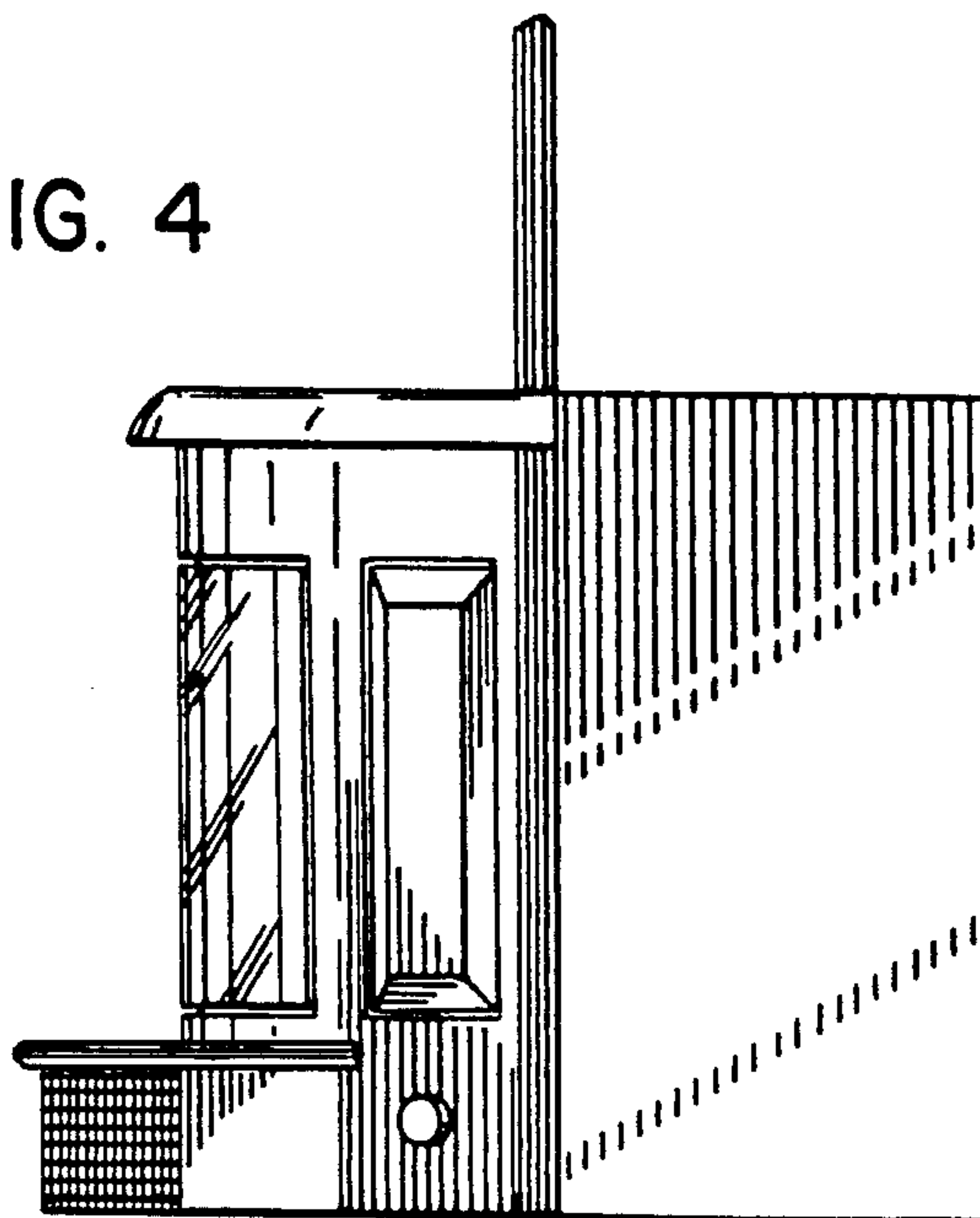


FIG. 4



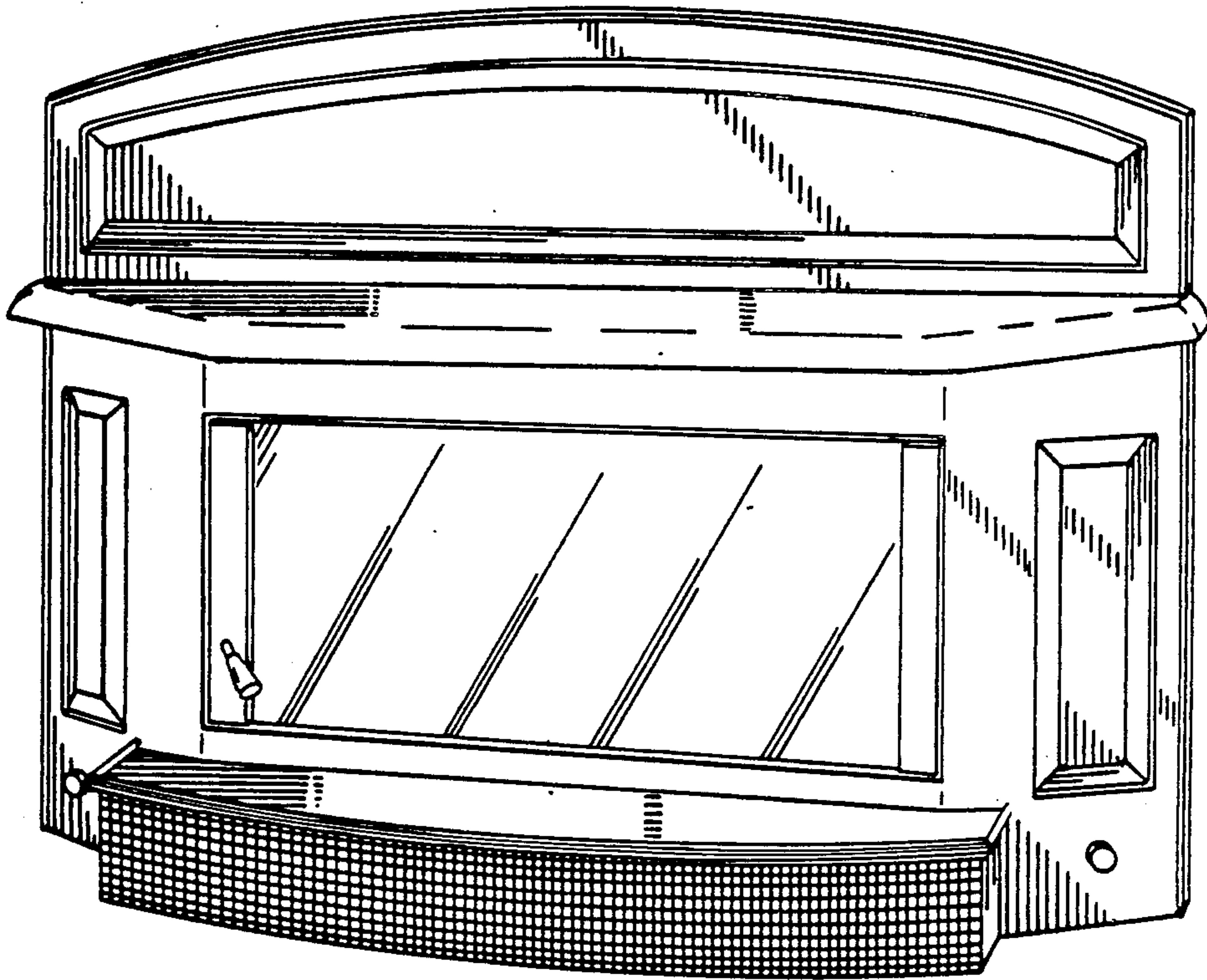


FIG. 5