

[54] PRESSURE GOVERNOR

[75] Inventors: Yoshinari Ogasawara, Kasugai; Yoshiichi Muto, Kagamihara, both of Japan

[73] Assignee: CKD Kabushiki Kaisha, Komaki, Japan

[\*\*] Term: 14 Years

[21] Appl. No.: 882,622

[22] Filed: Jul. 3, 1986

[30] Foreign Application Priority Data

Feb. 5, 1986 [JP] Japan ..... 60-3782

[52] U.S. Cl. .... D23/235; D23/209; D10/85

[58] Field of Search ..... D23/209, 235; D10/85; 137/505, 557, 549; 73/431, 714, 756

[56] References Cited

U.S. PATENT DOCUMENTS

- D. 72,830 6/1927 Kehl ..... D23/235
- D. 96,405 7/1935 Murphy ..... D23/235

- D. 103,582 3/1937 Murphy ..... D23/235
- D. 153,219 3/1949 Heyman ..... D10/85 X
- D. 153,244 3/1949 Teague ..... D10/85 X
- D. 156,735 1/1950 Jacobsson ..... D23/235
- D. 234,359 2/1975 Holben ..... D23/235
- D. 236,266 8/1975 Holben ..... D23/235
- 2,215,597 9/1940 Semon ..... D23/235 X
- 4,696,320 9/1987 Bull ..... 137/505 X

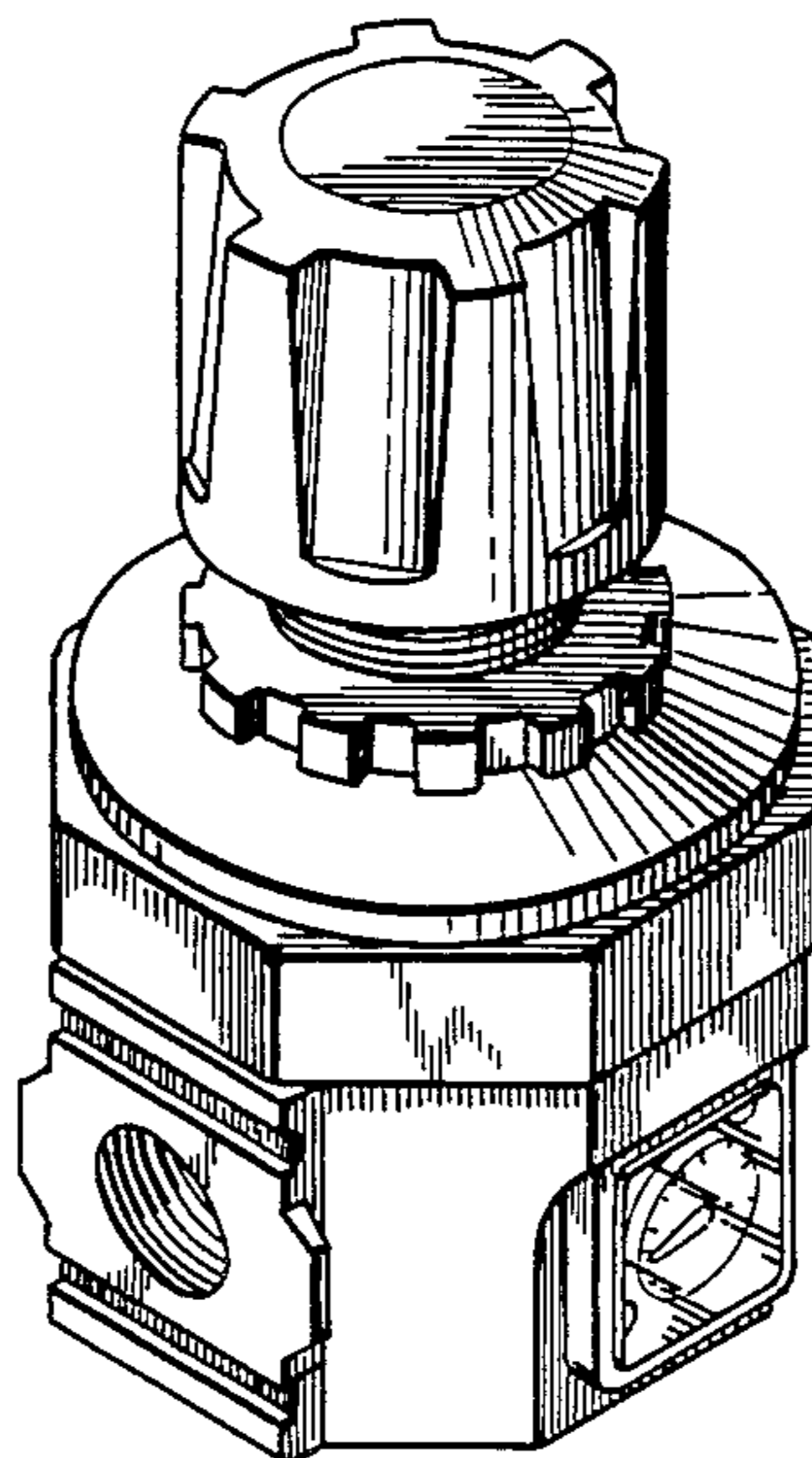
Primary Examiner—Nelson C. Holtje  
Attorney, Agent, or Firm—Neuman, Williams, Anderson & Olson

[57] CLAIM

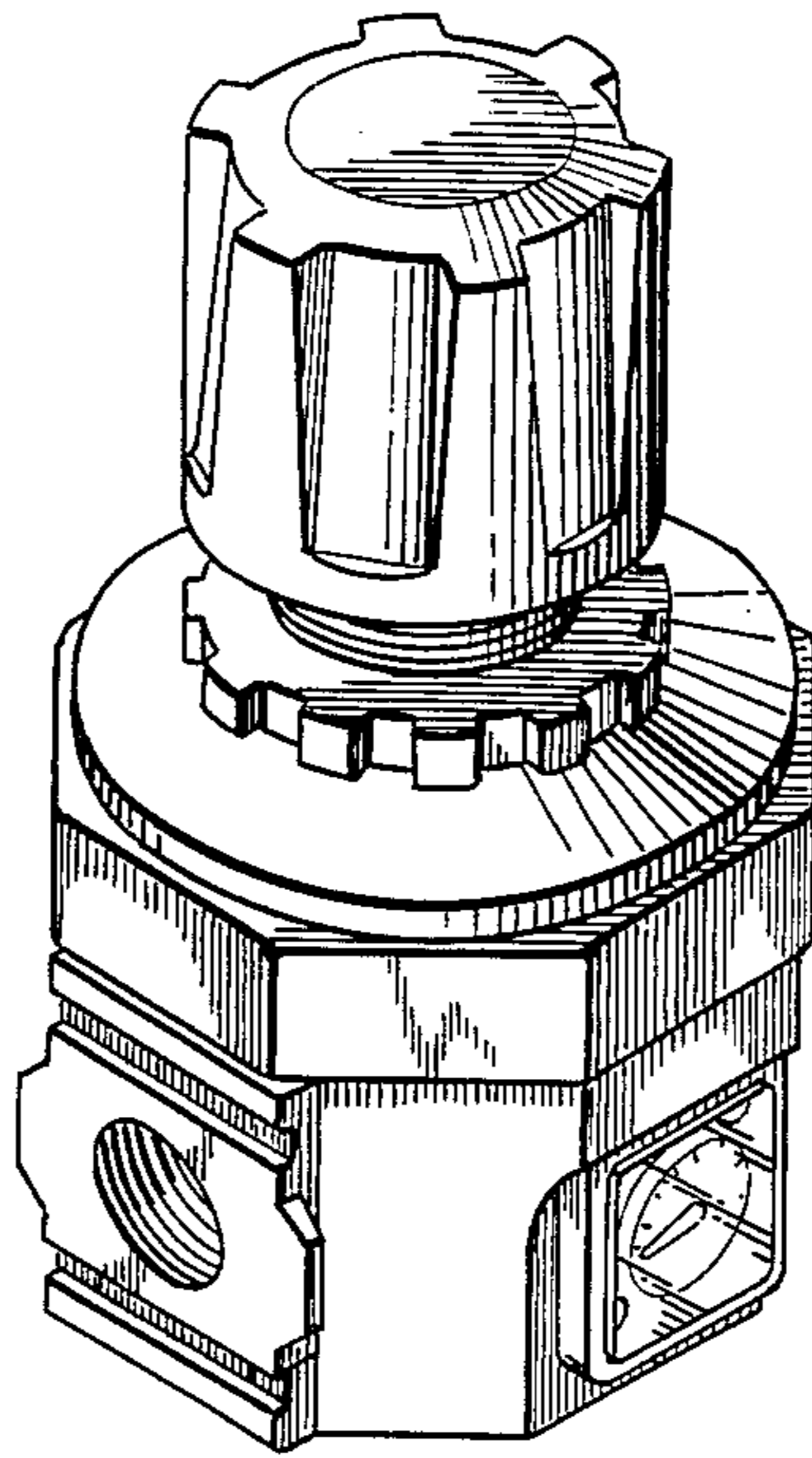
The ornamental design for a pressure governor, as shown and described.

DESCRIPTION

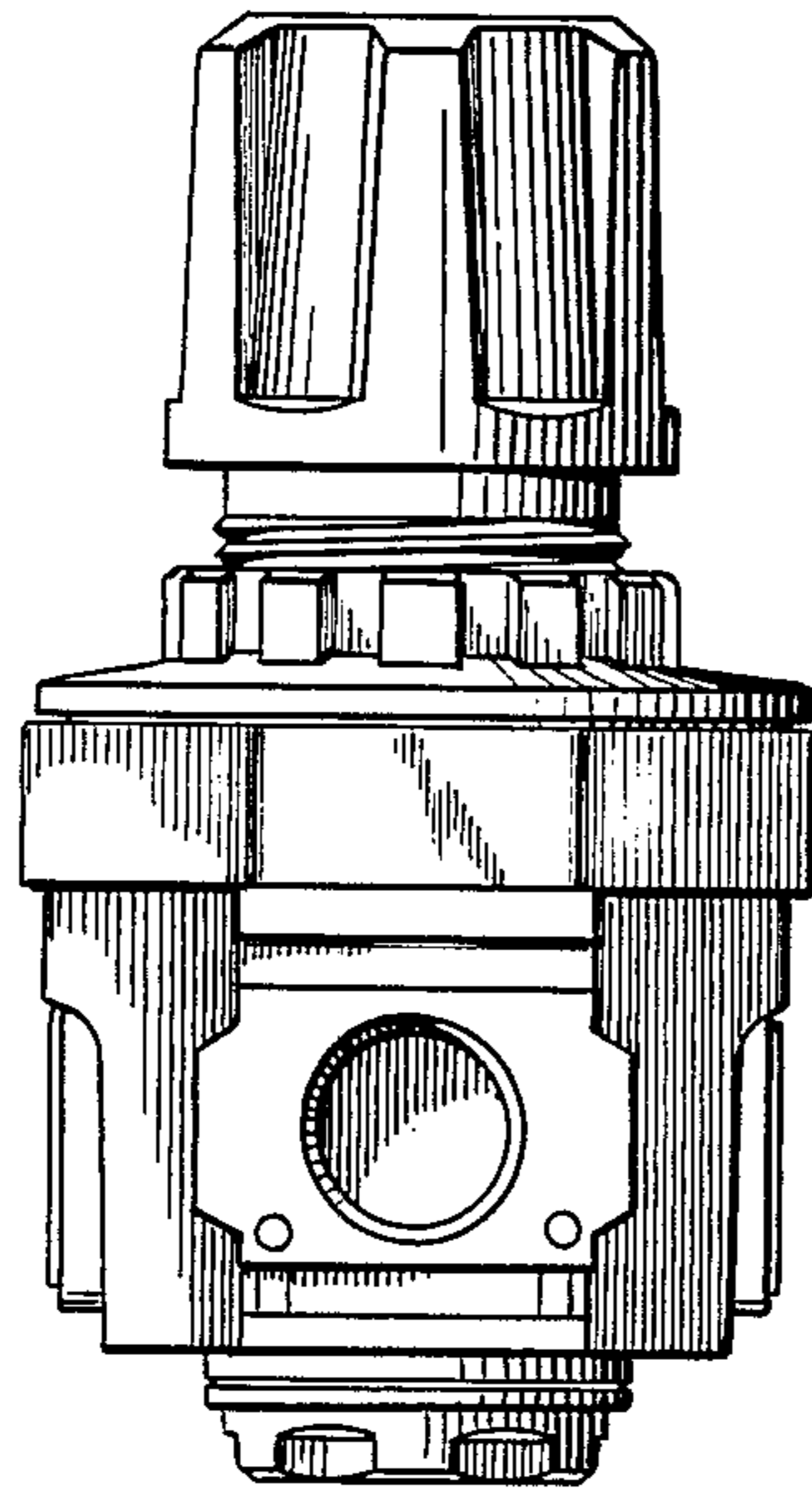
FIG. 1 is a top and right front perspective view of a "Pressure Governor" showing our new design;  
 FIG. 2 is a front elevational view thereof;  
 FIG. 3 is a right side elevational view thereof;  
 FIG. 4 is a rear elevational view thereof;  
 FIG. 5 is a left side elevational view thereof;  
 FIG. 6 is a top plan view thereof;  
 FIG. 7 is a bottom plan view thereof.



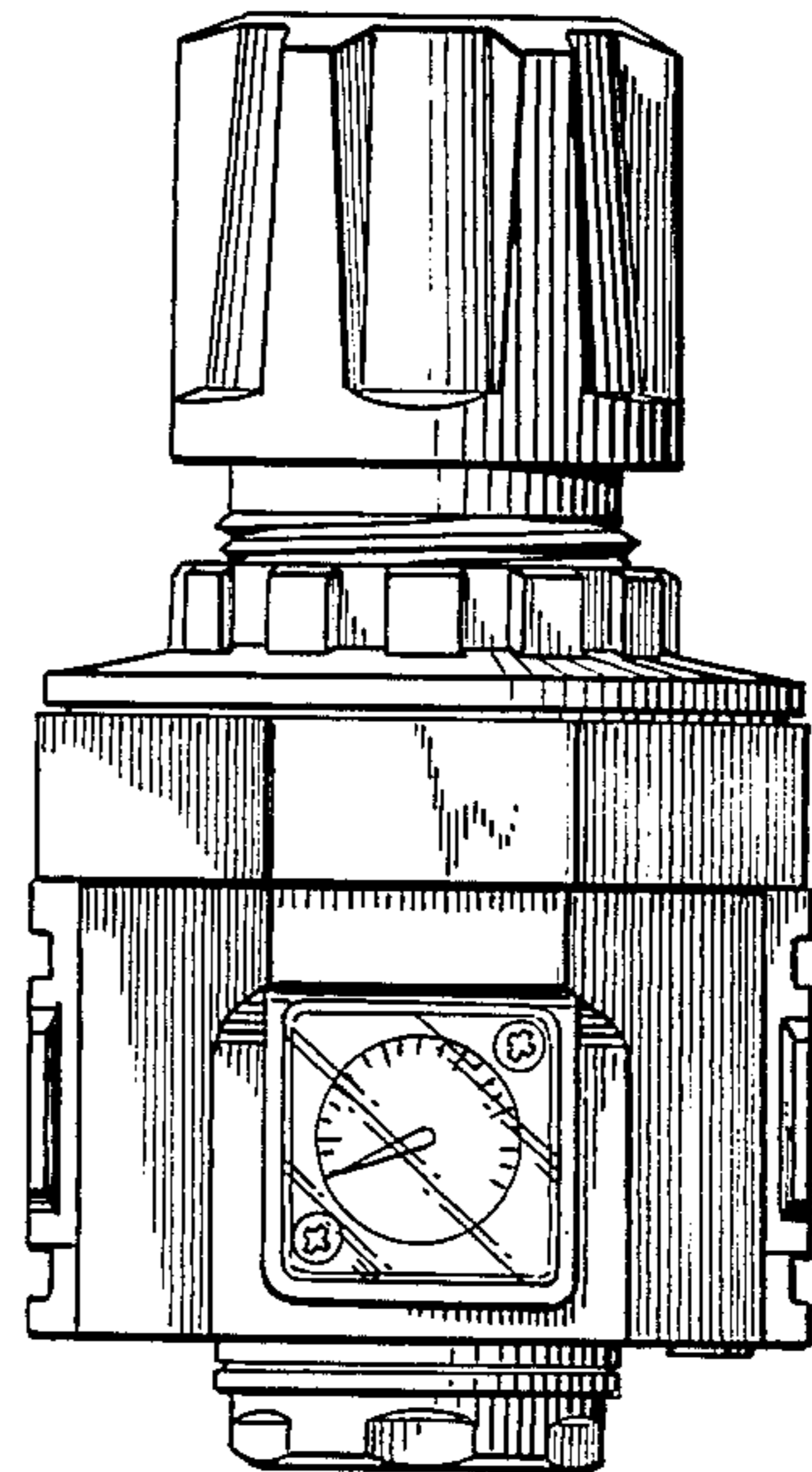
**FIG-1**



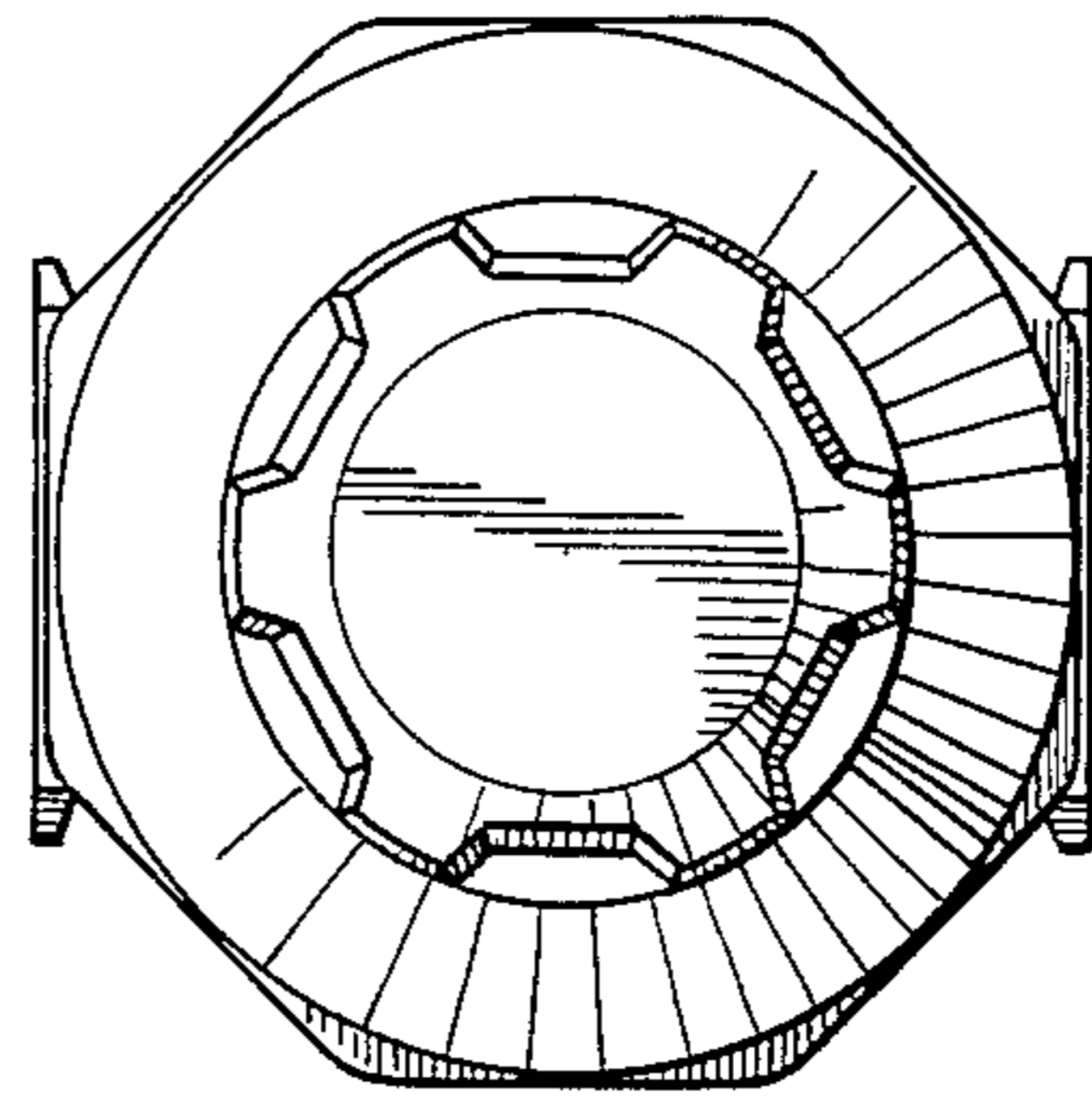
**FIG-2**



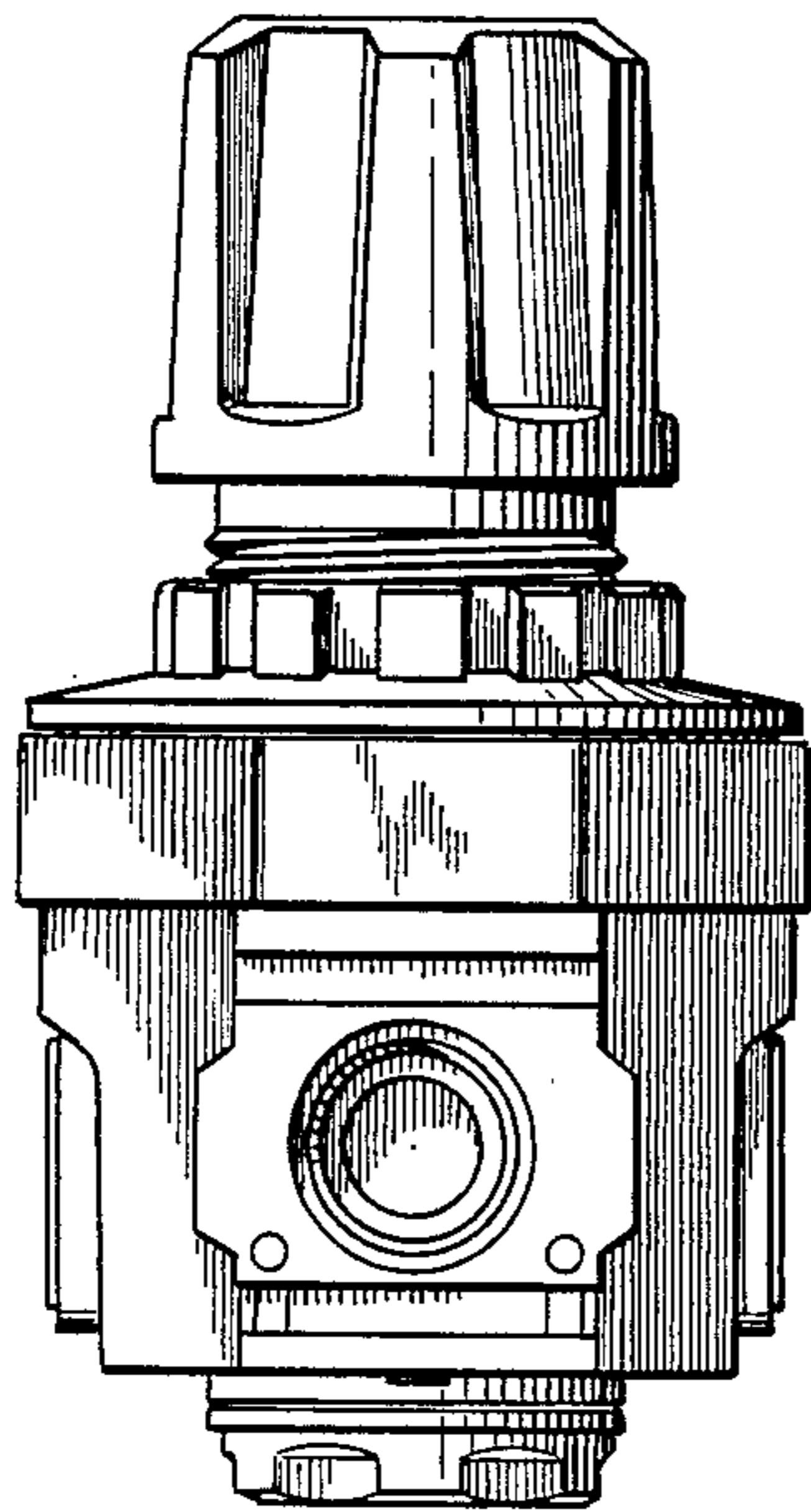
**FIG-3**



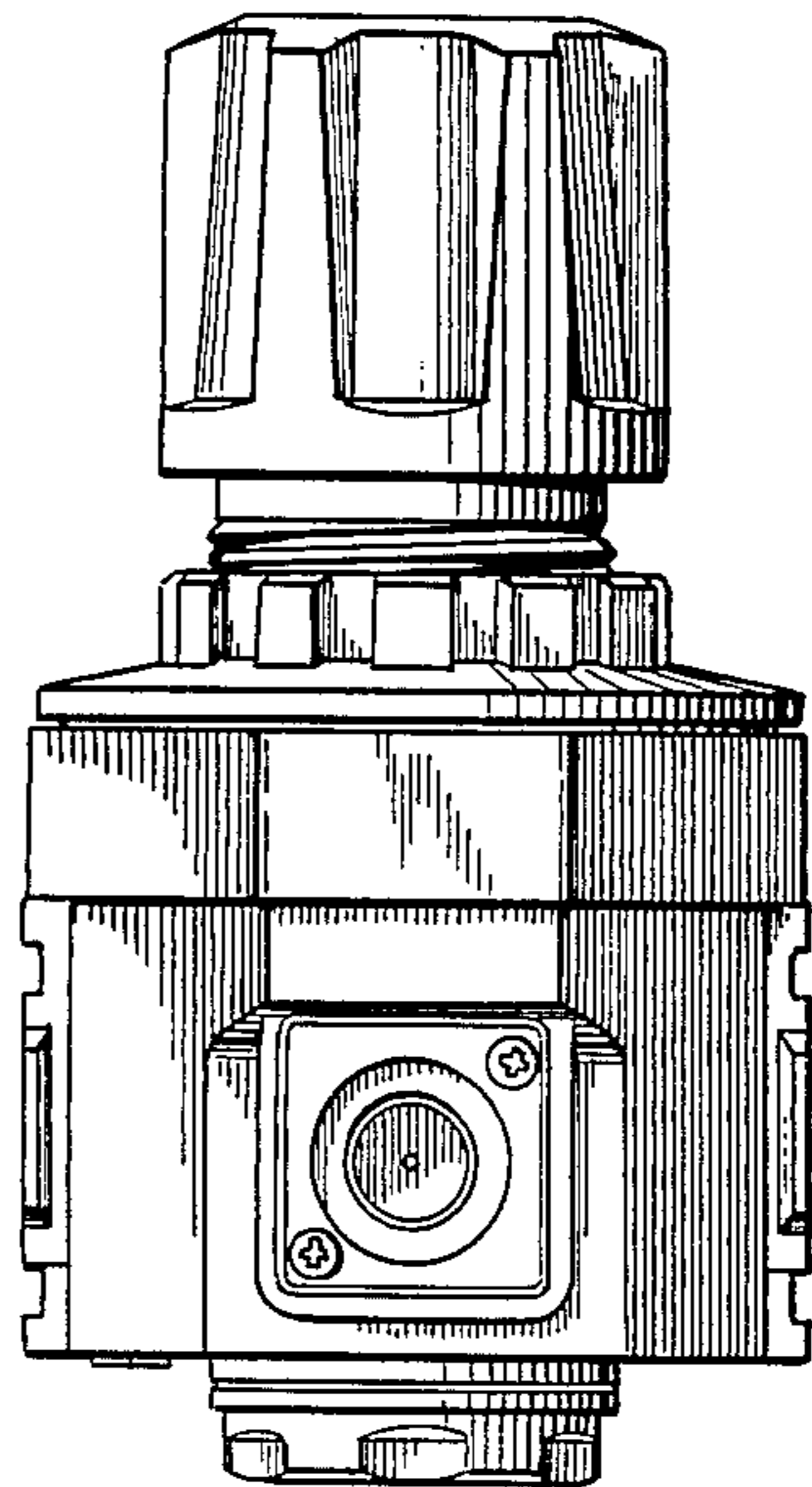
**FIG-6**



**FIG-4**



**FIG-5**



**FIG-7**

