

[54] VALVE

[75] Inventors: **Randall E. Fisher**, Morro Bay; **David L. Martindale**, Los Osos; **Joseph H. Nichols**, San Luis Obispo, all of Calif.

[73] Assignee: **Cryolab, Inc.**, San Luis Obispo, Calif.

[**] Term: **14 Years**

[21] Appl. No.: **845,768**

[22] Filed: **Mar. 24, 1986**

[52] U.S. Cl. **D23/233**

[58] Field of Search **D23/233-237, D23/244-249; 251/122, 266, 335.3**

[56] **References Cited**

U.S. PATENT DOCUMENTS

- D. 271,421 11/1983 Fetterman D23/233 X
- D. 277,831 3/1985 Bergstrom et al. D23/247 X
- D. 284,989 8/1986 Fetty D23/245
- D. 287,871 1/1987 Ritchie et al. D23/233
- 4,232,695 11/1980 Roberge 251/335.3 X

- 4,237,920 12/1980 Norman 251/335.3 X
- 4,270,727 6/1981 Norman 251/335.3 X
- 4,283,041 8/1981 Kujawski 251/335.3 X
- 4,421,298 12/1983 Kujawski 251/335.3 X
- 4,509,721 4/1985 Lassally 251/335.3
- 4,513,779 4/1985 Owoc et al. 251/335.3 X

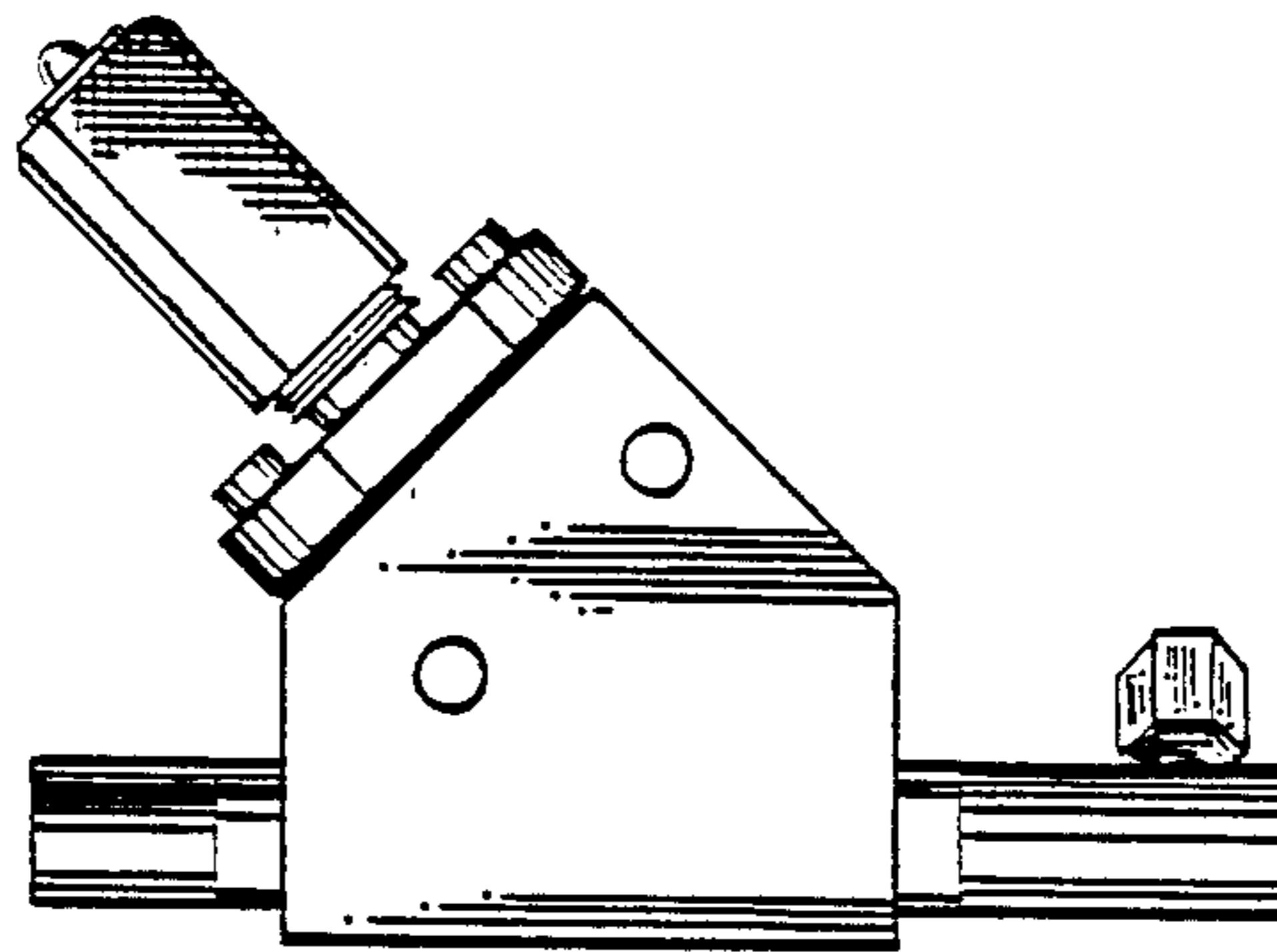
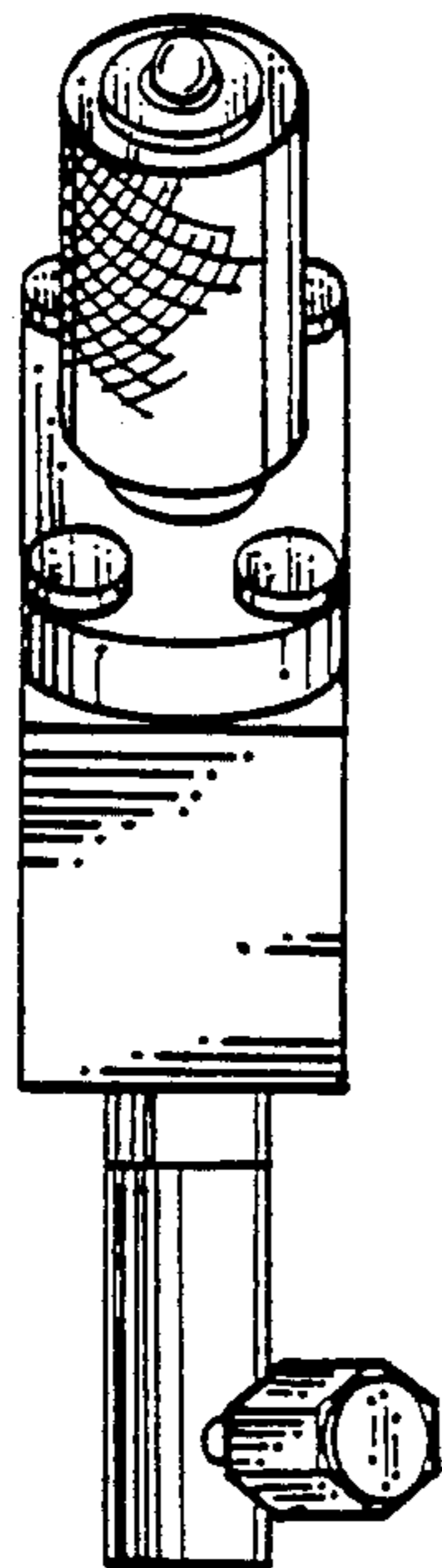
Primary Examiner—James R. Largen
Attorney, Agent, or Firm—Daniel C. McKown

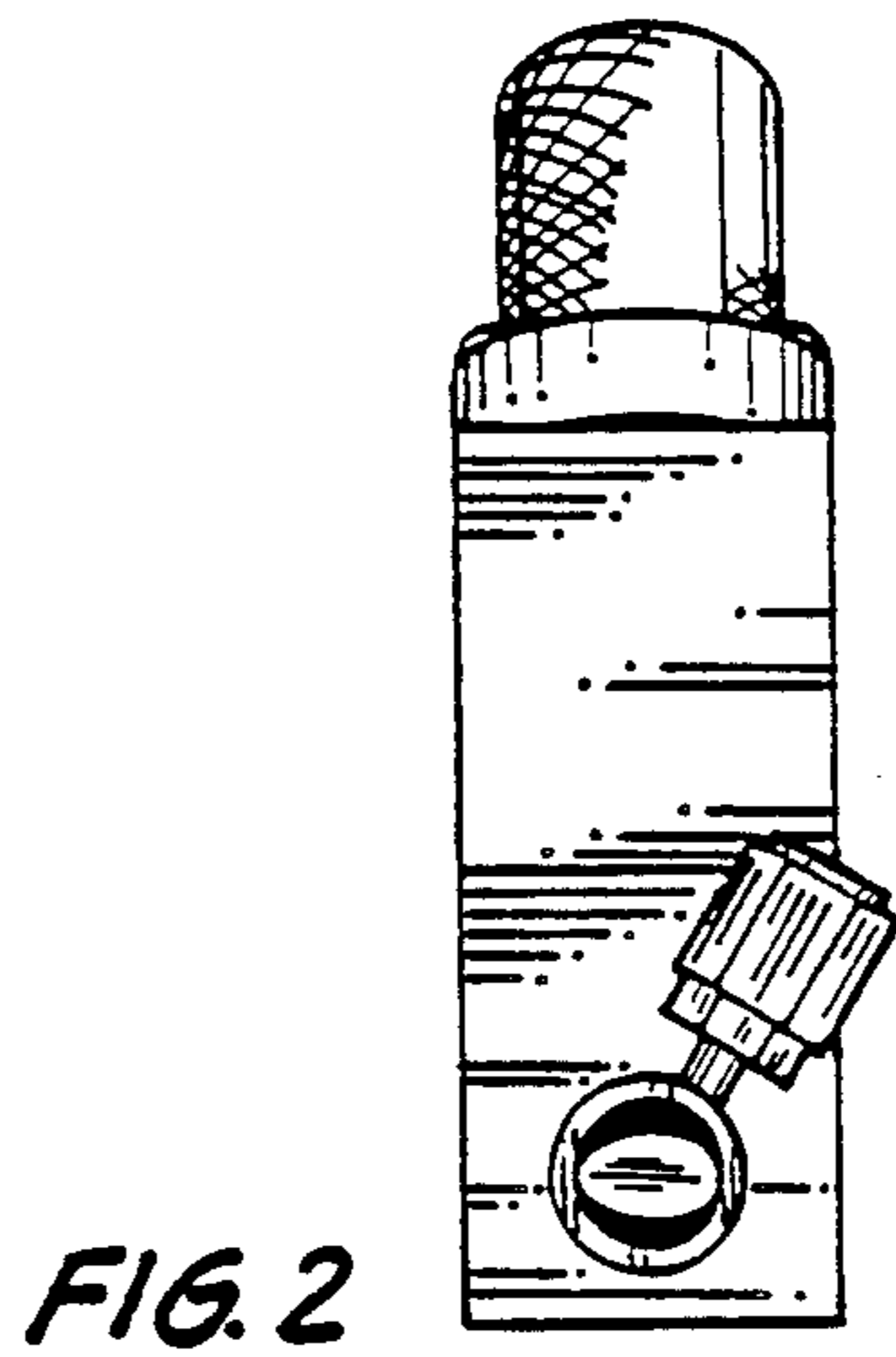
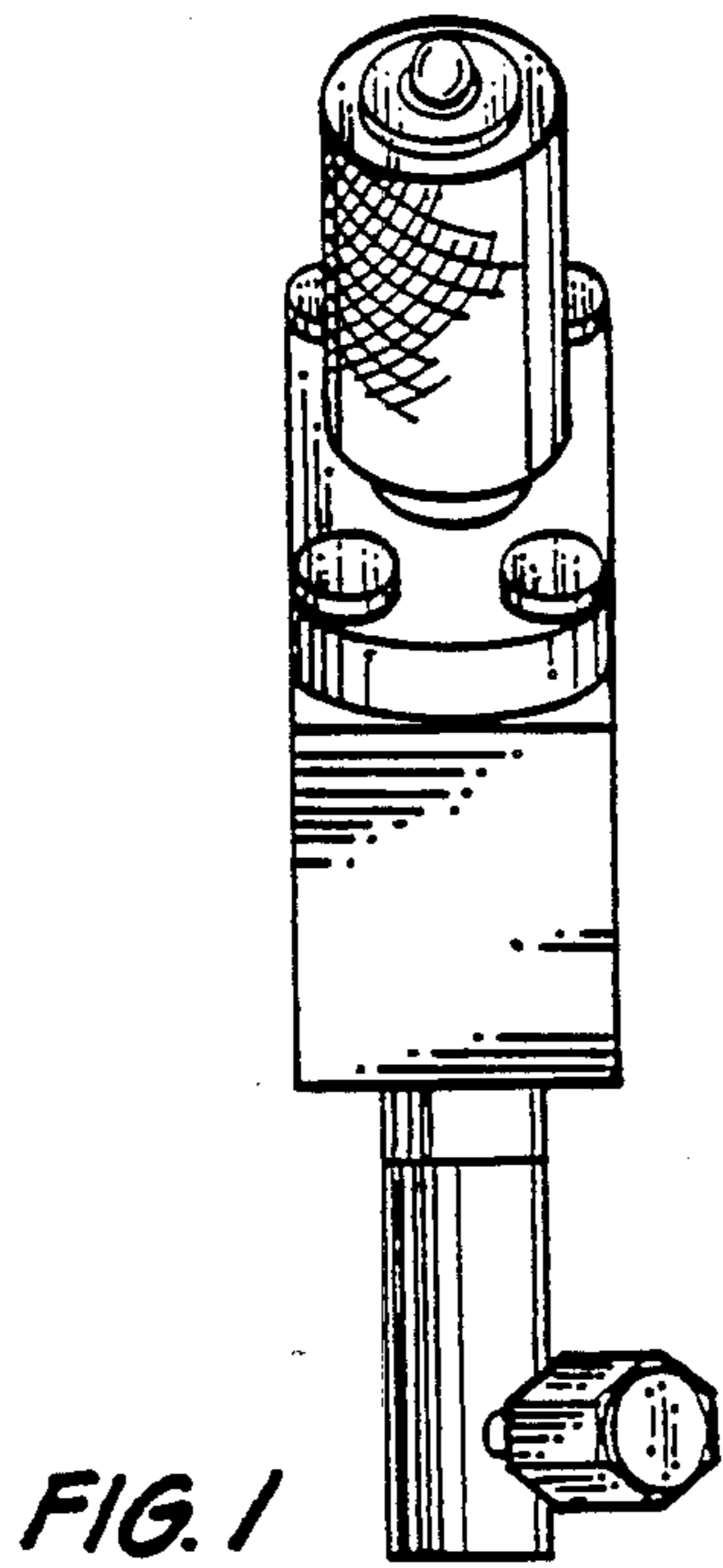
[57] **CLAIM**

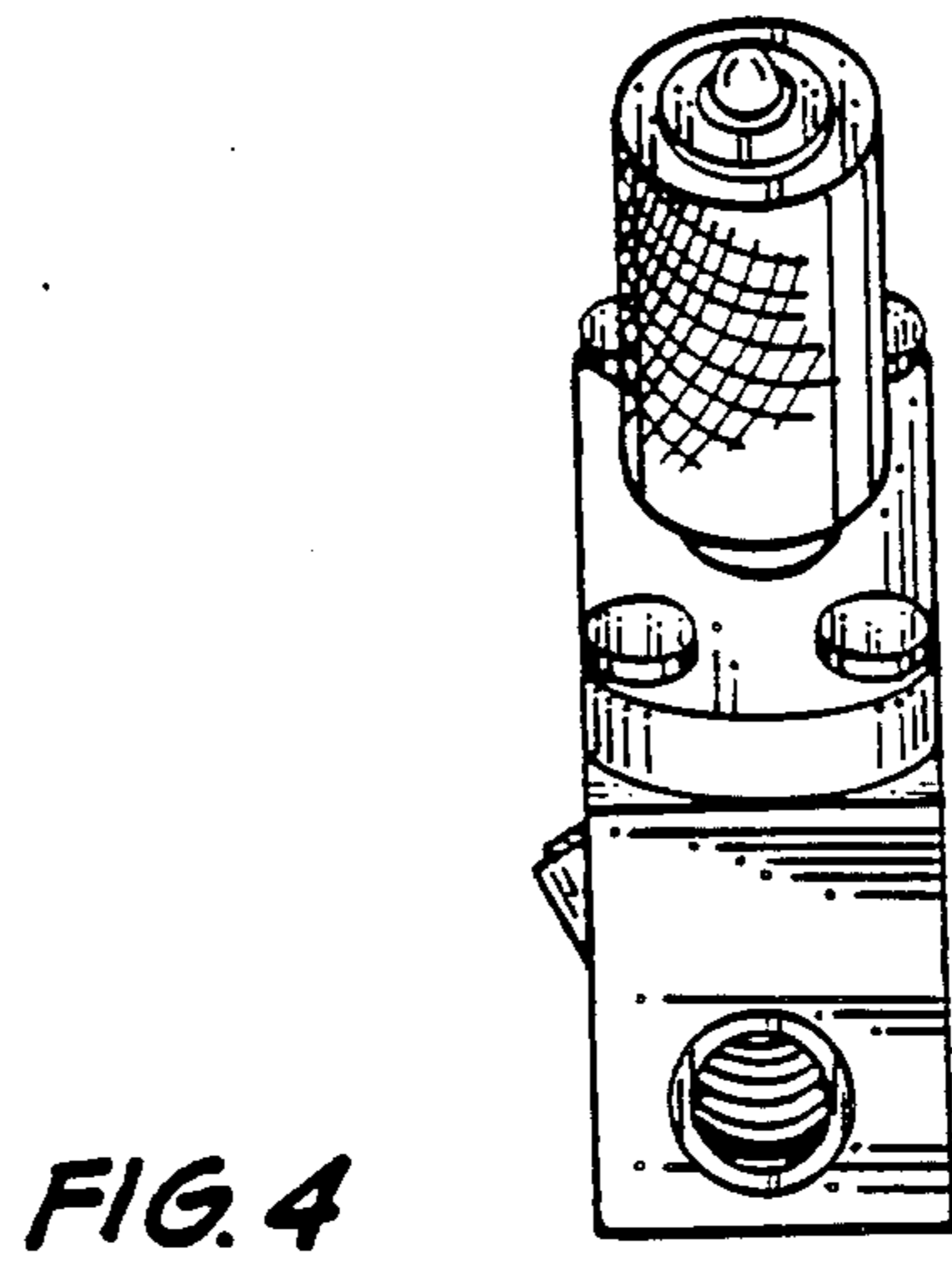
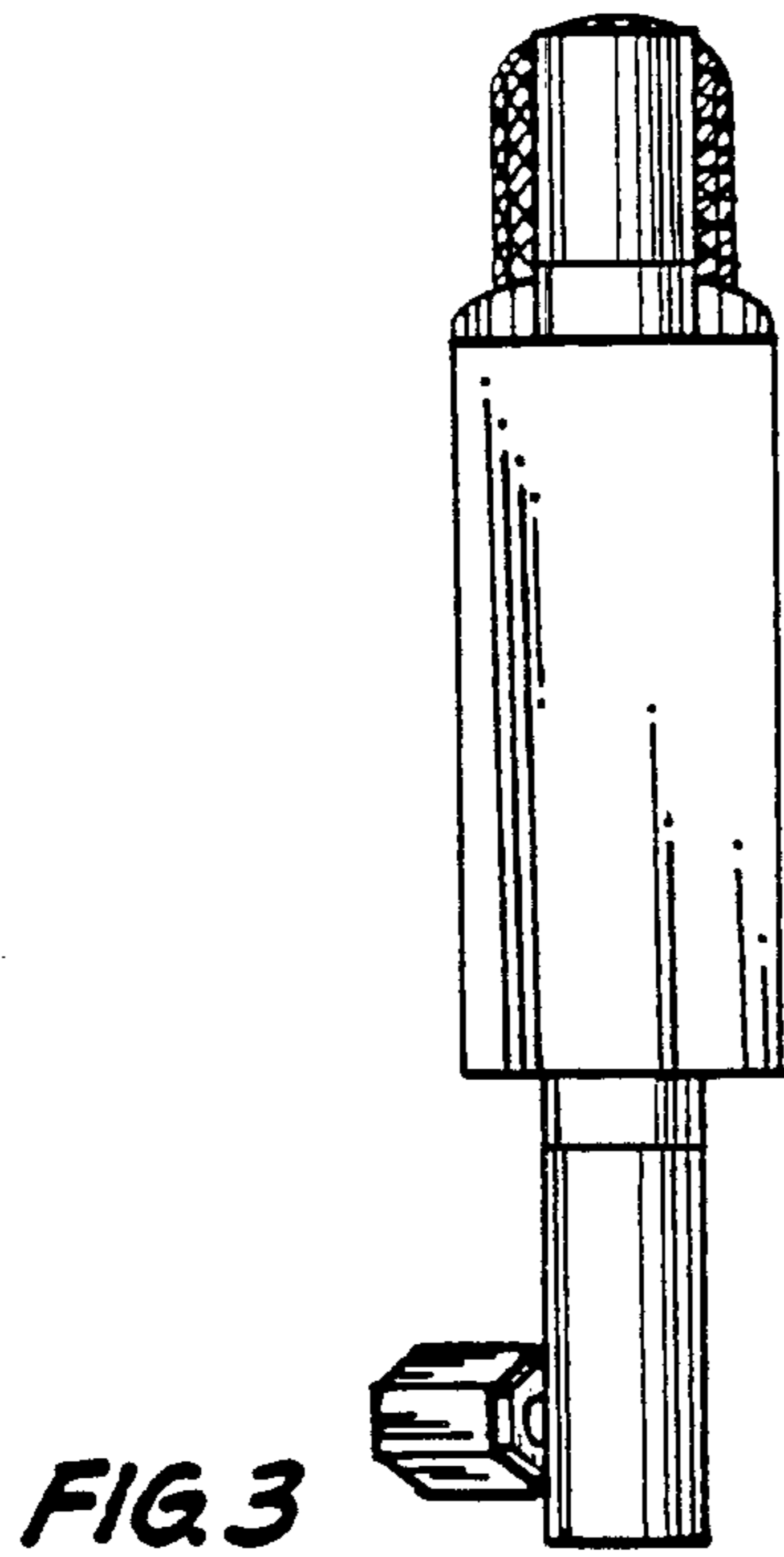
The ornamental design for an valve, as shown and described.

DESCRIPTION

FIG. 1 is a top plan view of an ultra-high purity valve showing our new design;
 FIG. 2 is a rear elevational view thereof;
 FIG. 3 is a bottom plan view thereof;
 FIG. 4 is a front elevational view thereof;
 FIG. 5 is a right side elevational view thereof with a portion shown in section, and
 FIG. 6 is a left side elevational view thereof.







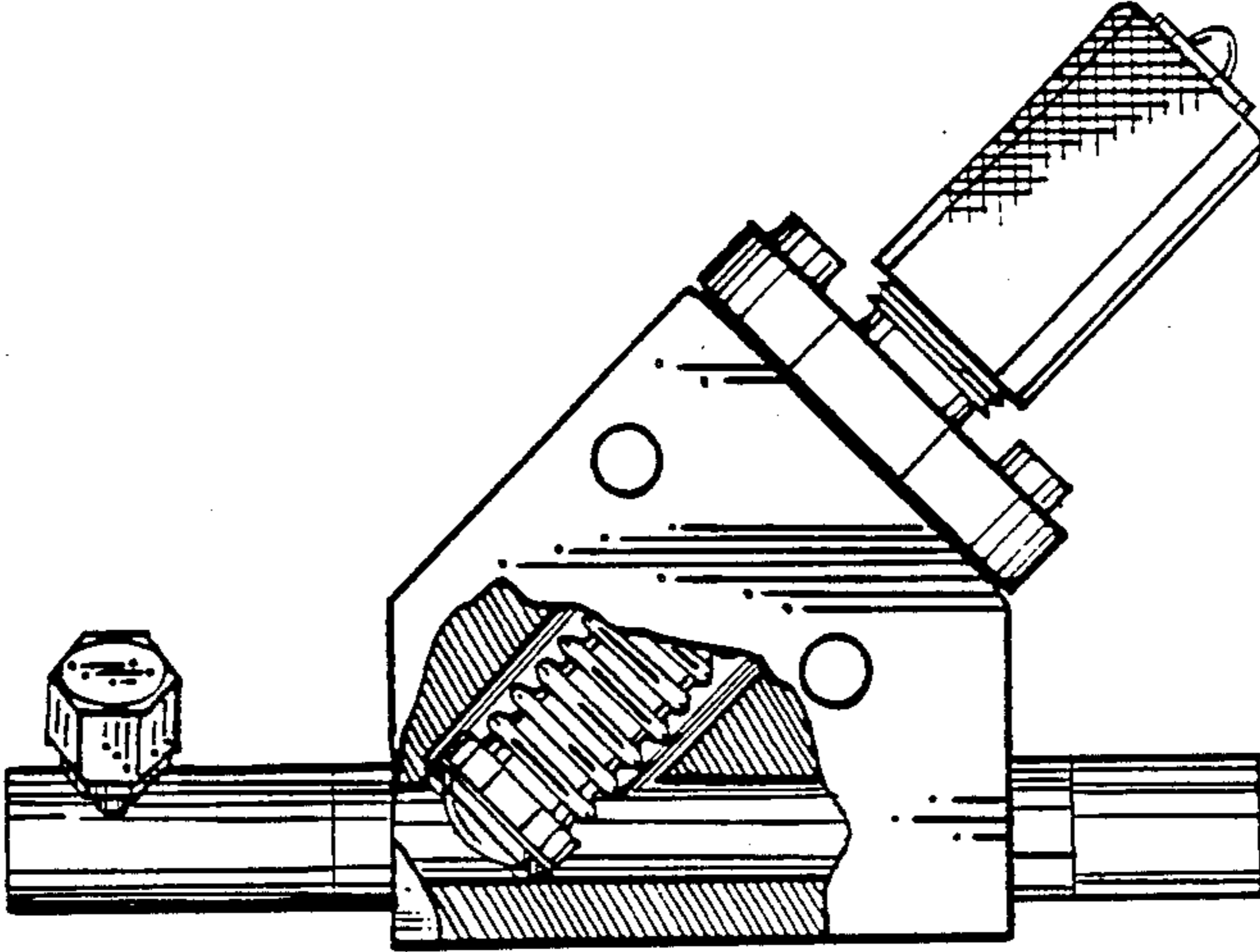


FIG. 5

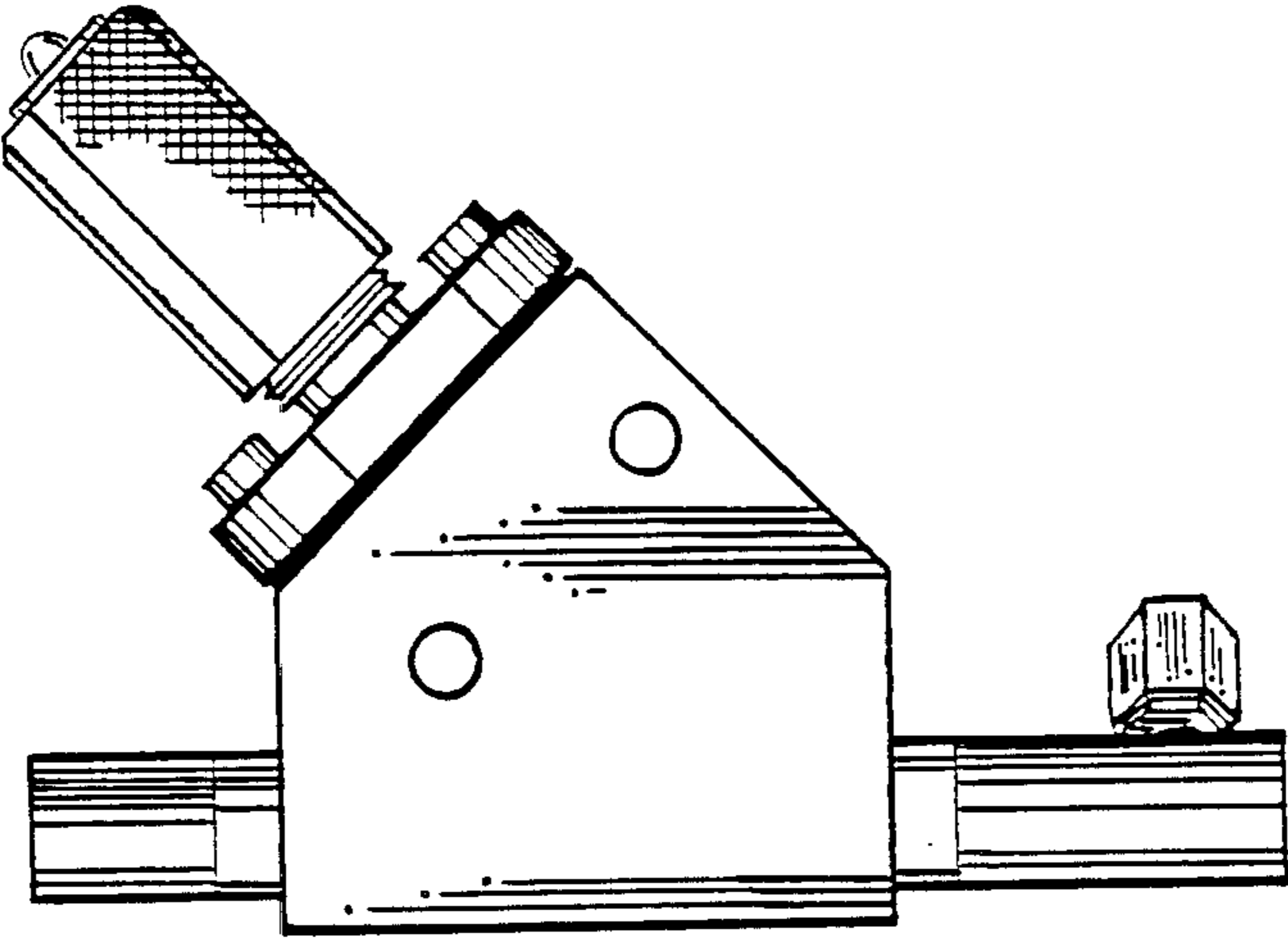


FIG. 6