

[54] PRESSURE GOVERNOR WITH FILTER

[75] Inventors: Yoshinari Ogasawara, Kasugai; Yoshiichi Muto, Kagamihara, both of Japan

[73] Assignee: CKD Kabushiki Kaisha, Komaki, Japan

[\*\*] Term: 14 Years

[21] Appl. No.: 882,624

[22] Filed: Jul. 3, 1986

[30] Foreign Application Priority Data

Feb. 10, 1986 [JP] Japan ..... 4486/1986

[52] U.S. Cl. .... D23/209; D10/85; D23/235

[58] Field of Search ..... D23/209 R, 235; D10/85; 73/431, 714, 756; 137/549, 557, 505; 210/419, 429, 444

[56] References Cited

U.S. PATENT DOCUMENTS

D. 96,405 7/1935 Murphy ..... D23/235  
D. 103,582 3/1937 Murphy ..... D23/235

D. 234,356 2/1975 Holben ..... D23/209  
D. 234,359 2/1975 Holben ..... D23/235  
D. 234,843 4/1975 Taylor ..... D23/209 X  
D. 236,263 8/1975 Dussardier ..... D23/209  
D. 236,264 8/1975 Taylor ..... D23/209  
D. 236,266 8/1975 Holben ..... D23/235  
D. 255,045 5/1980 Kronsbein ..... D23/209  
D. 283,244 4/1986 Wroten ..... D23/235  
2,318,721 5/1943 Siver ..... D23/235 X

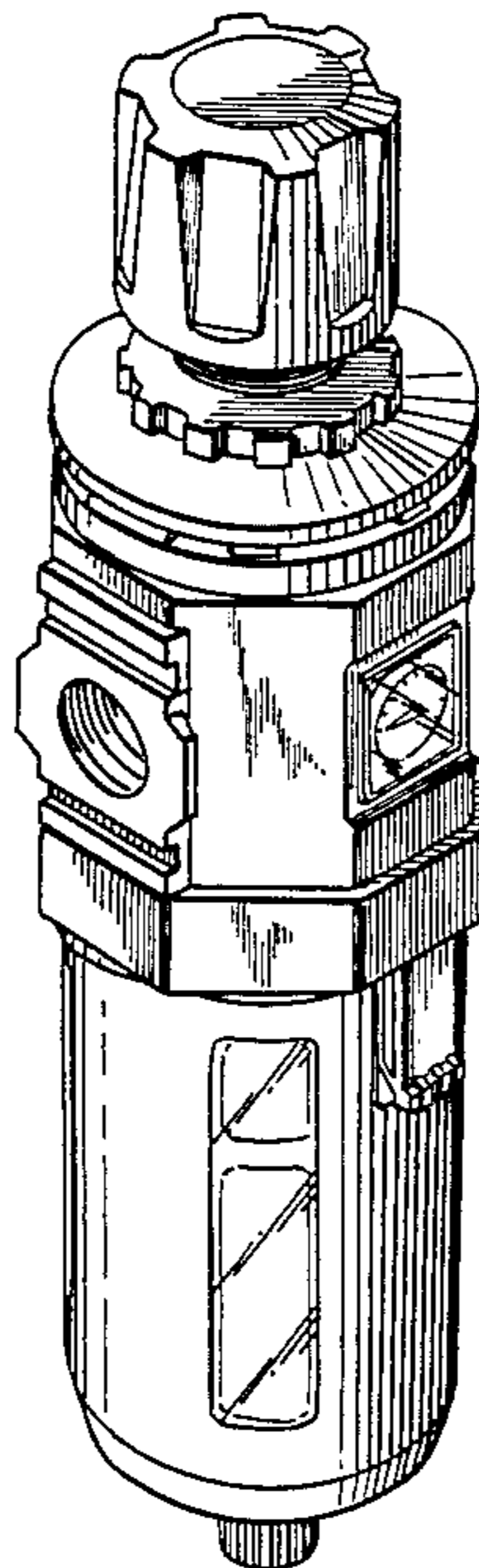
Primary Examiner—Nelson C. Holtje  
Attorney, Agent, or Firm—Neuman, Williams, Anderson & Olson

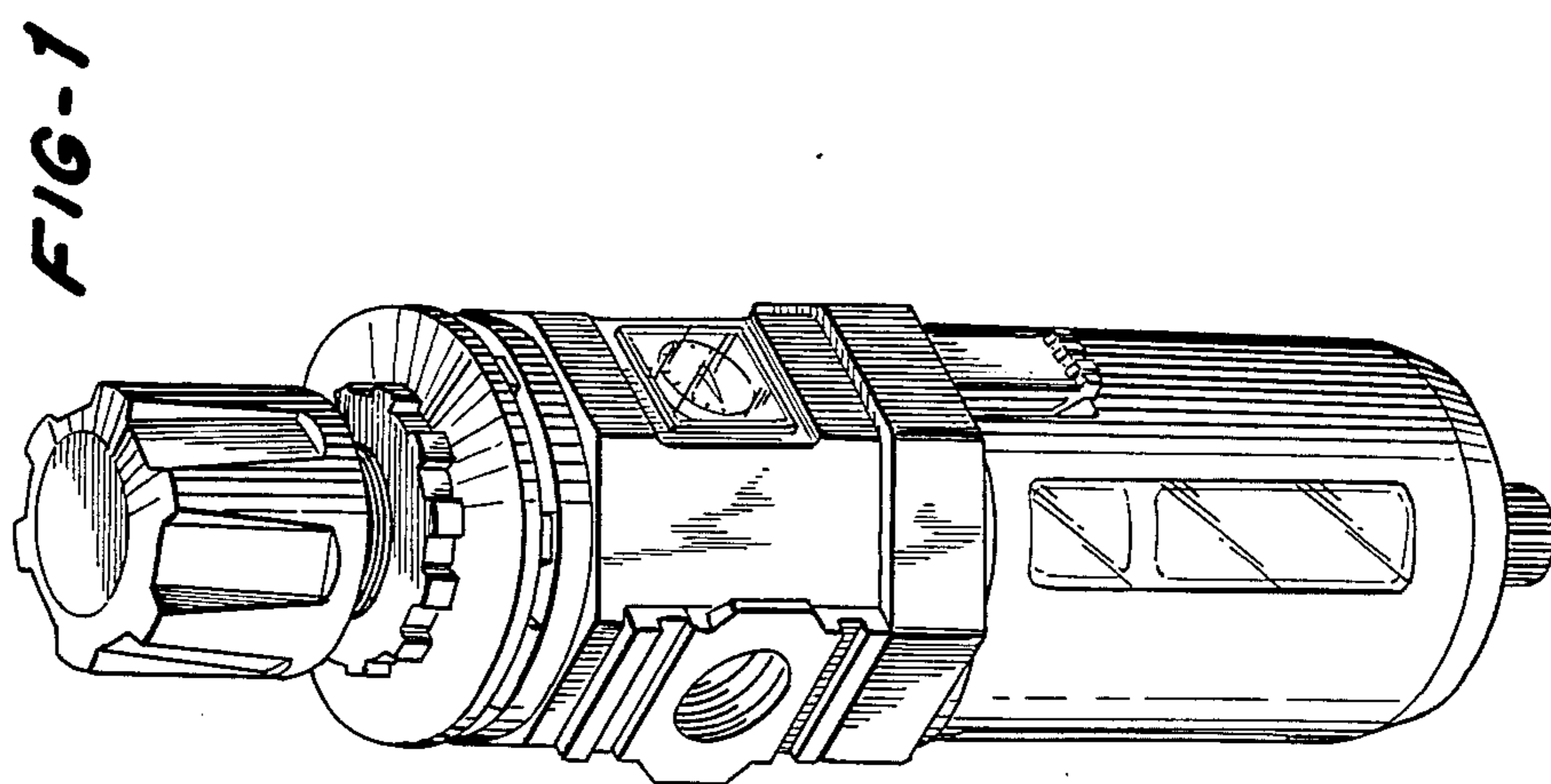
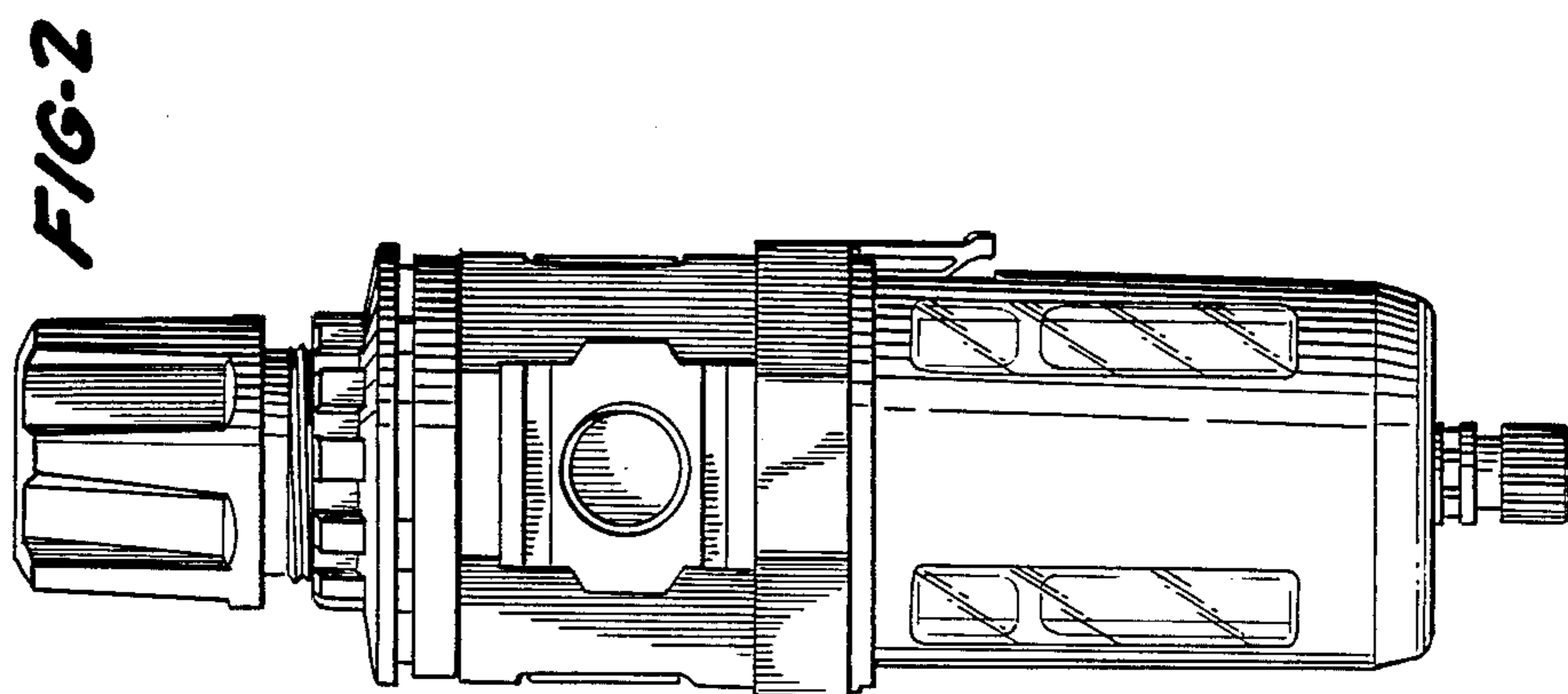
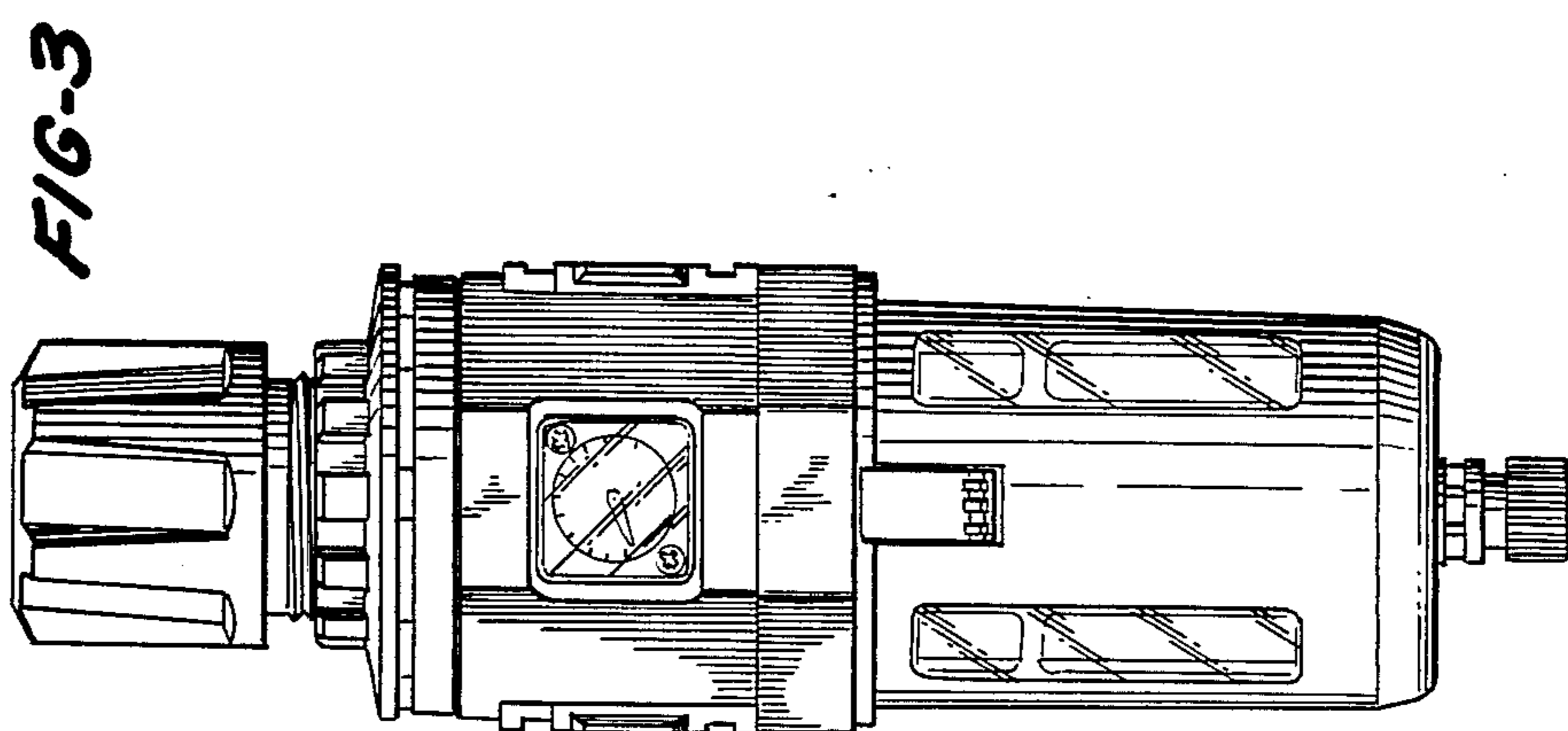
[57] CLAIM

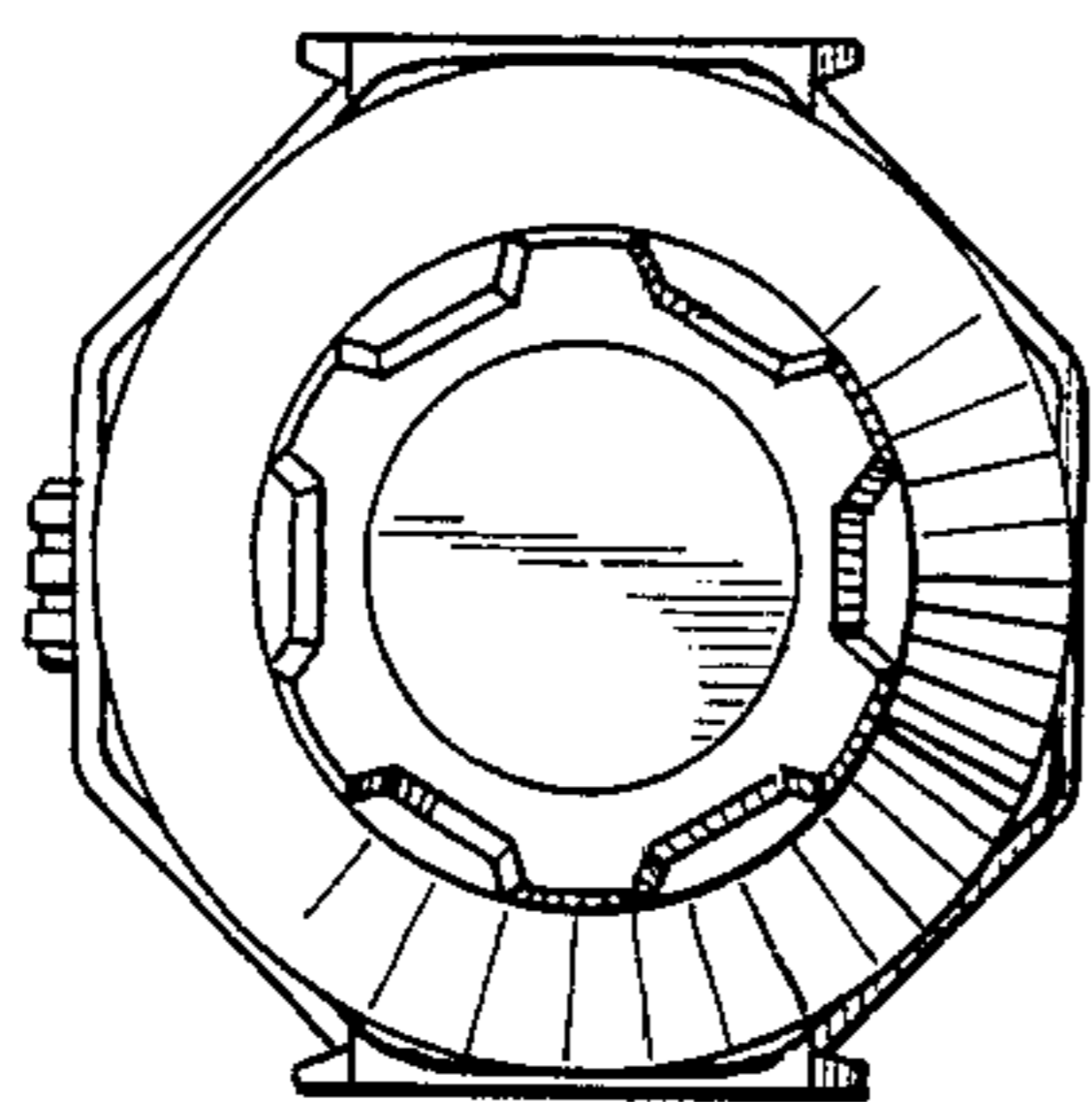
The ornamental design for a pressure governor with filter, as shown and described.

DESCRIPTION

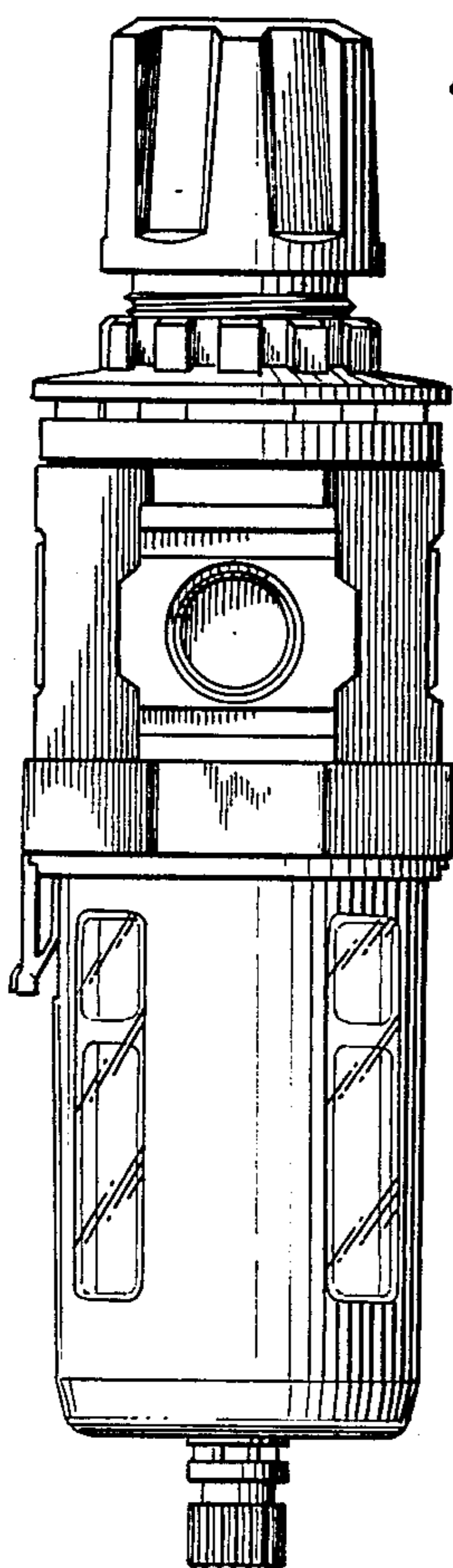
FIG. 1 is a top and right front perspective view of a pressure governor with filter showing our new design; FIG. 2 is a front elevational view thereof; FIG. 3 is a right side elevational view thereof; FIG. 4 is a rear elevational view thereof; FIG. 5 is a left side elevational view thereof; FIG. 6 is a top plan view thereof; FIG. 7 is a bottom plan view thereof.



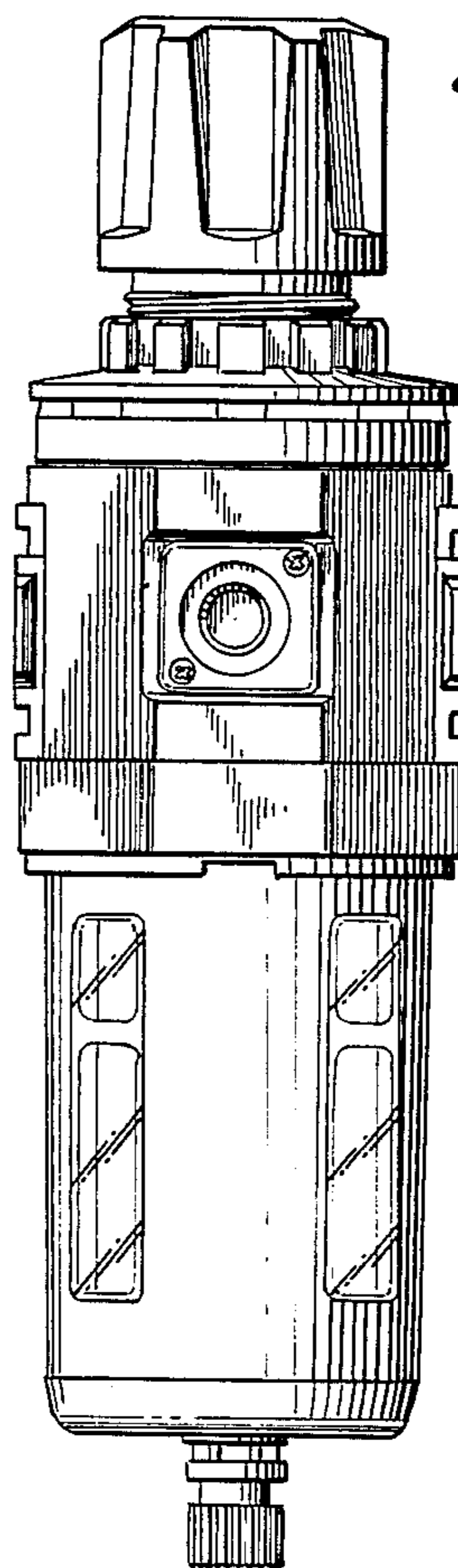




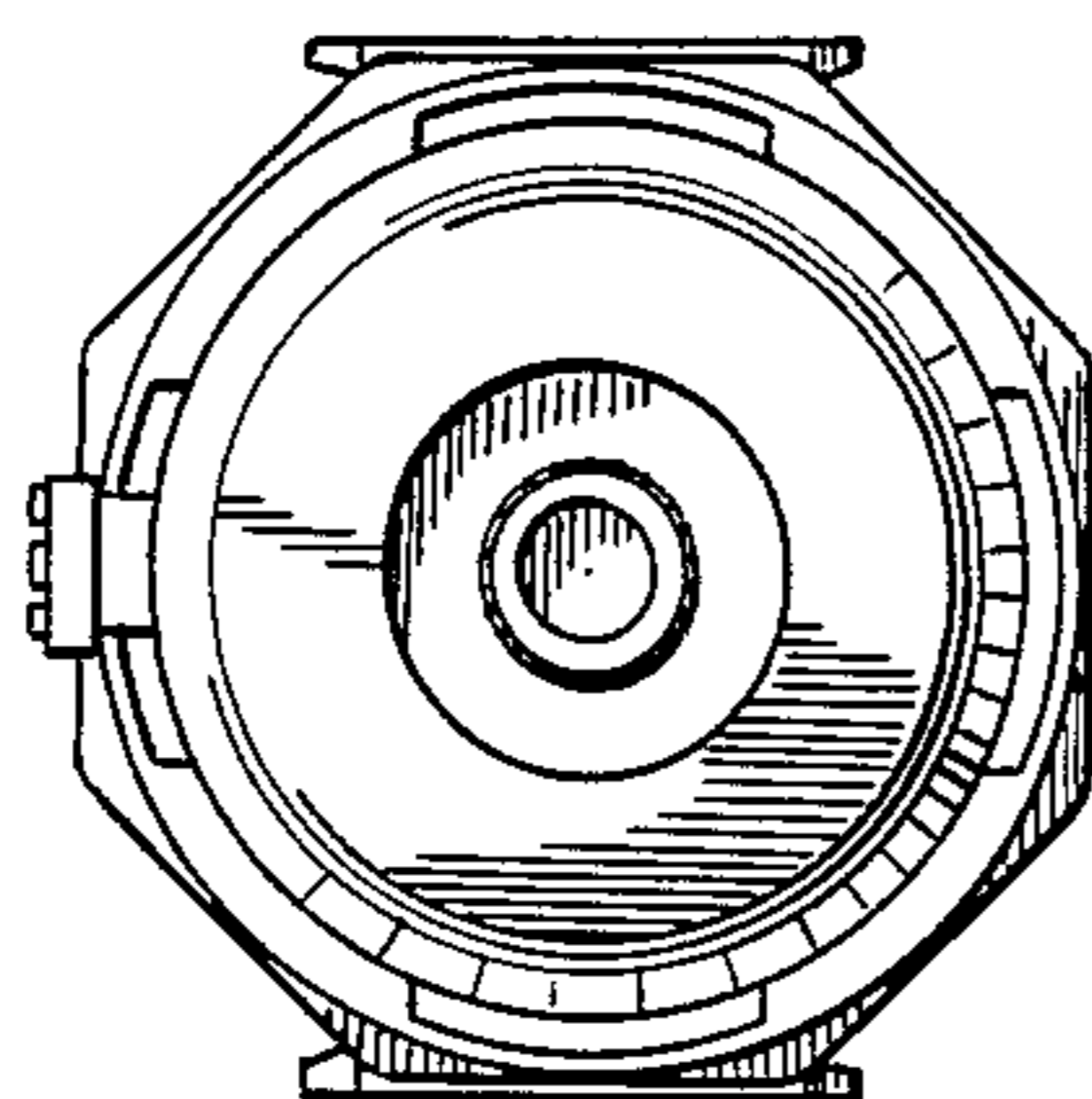
**FIG-6**



**FIG-4**



**FIG-5**



**FIG-7**