

United States Patent [19]

Brown et al.

[11] Patent Number: **Des. 301,913**

[45] Date of Patent: **** Jun. 27, 1989**

[54] **WATER PURIFIER UNIT**

[75] Inventors: **Barry M. Brown, Baldwinsville;**
Martin B. Wilson, Webster, both of
N.Y.

[73] Assignee: **Eastman Kodak Company,**
Rochester, N.Y.

[**] Term: **14 Years**

[21] Appl. No.: **126,143**

[22] Filed: **Nov. 27, 1987**

[52] U.S. Cl. **D23/207**

[58] Field of Search **D23/207, 208;**
210/321.72

[56] **References Cited**

U.S. PATENT DOCUMENTS

- D. 290,286 6/1987 Padilla D23/207
- D. 290,386 6/1987 Padilla D23/207

- D. 295,656 5/1988 Bond et al. D23/207
- 4,176,063 11/1979 Tyler 210/101
- 4,391,712 7/1983 Tyler et al. 210/652
- 4,604,194 8/1986 Entingh 210/98
- 4,657,674 4/1987 Burrows 210/110
- 4,695,375 9/1987 Tyler 210/110

Primary Examiner—James M. Gandy
Assistant Examiner—Lisa Lichtenstein
Attorney, Agent, or Firm—John B. Turner

[57] **CLAIM**

The ornamental design for a water purifier unit, as shown.

DESCRIPTION

FIG. 1 is a top and right front perspective view of a water purifier unit showing my new design;
FIG. 2 is a left side elevation view thereof;
FIG. 3 is a rear elevation view thereof;
FIG. 4 is a bottom plan view thereof.

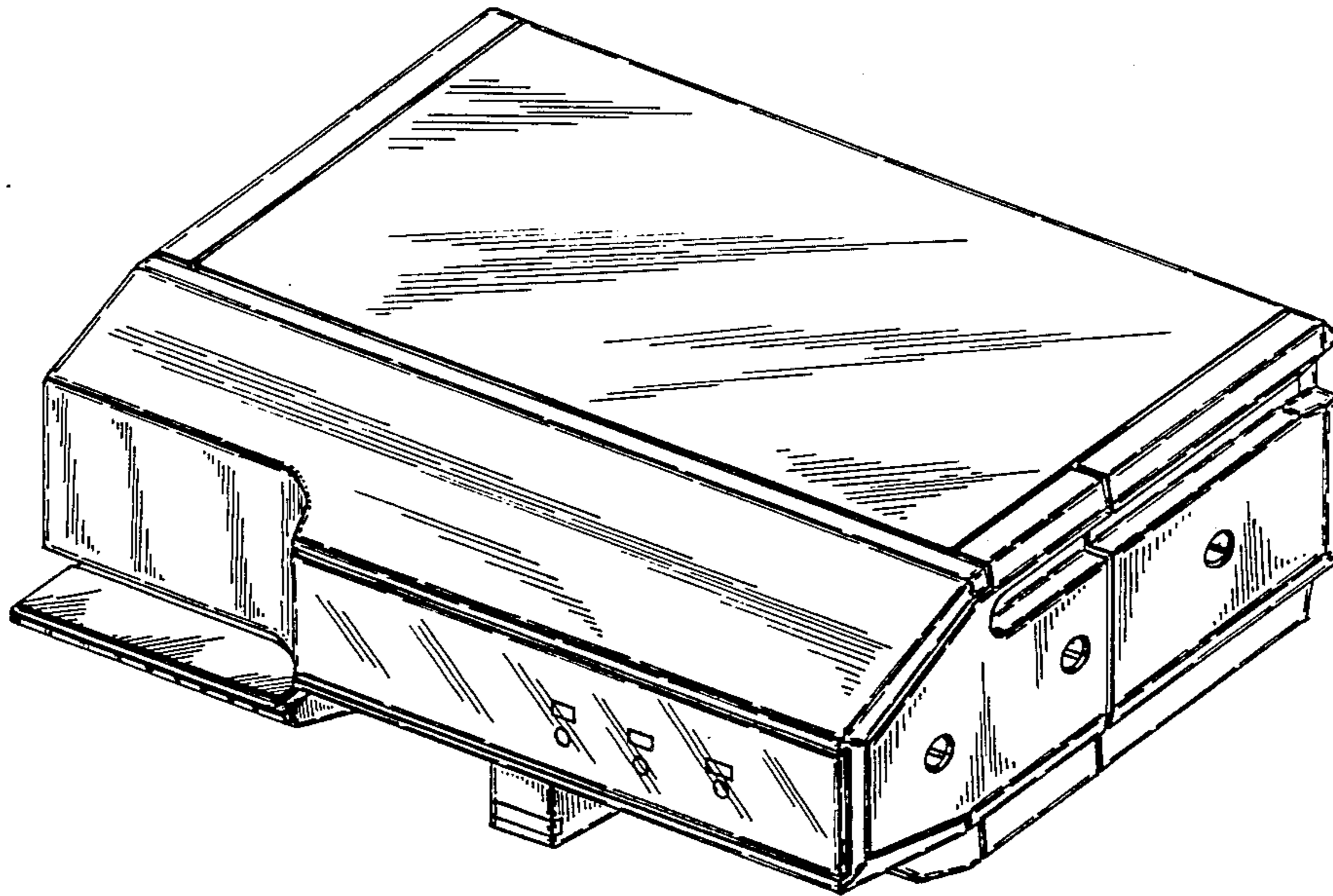


FIG. 1

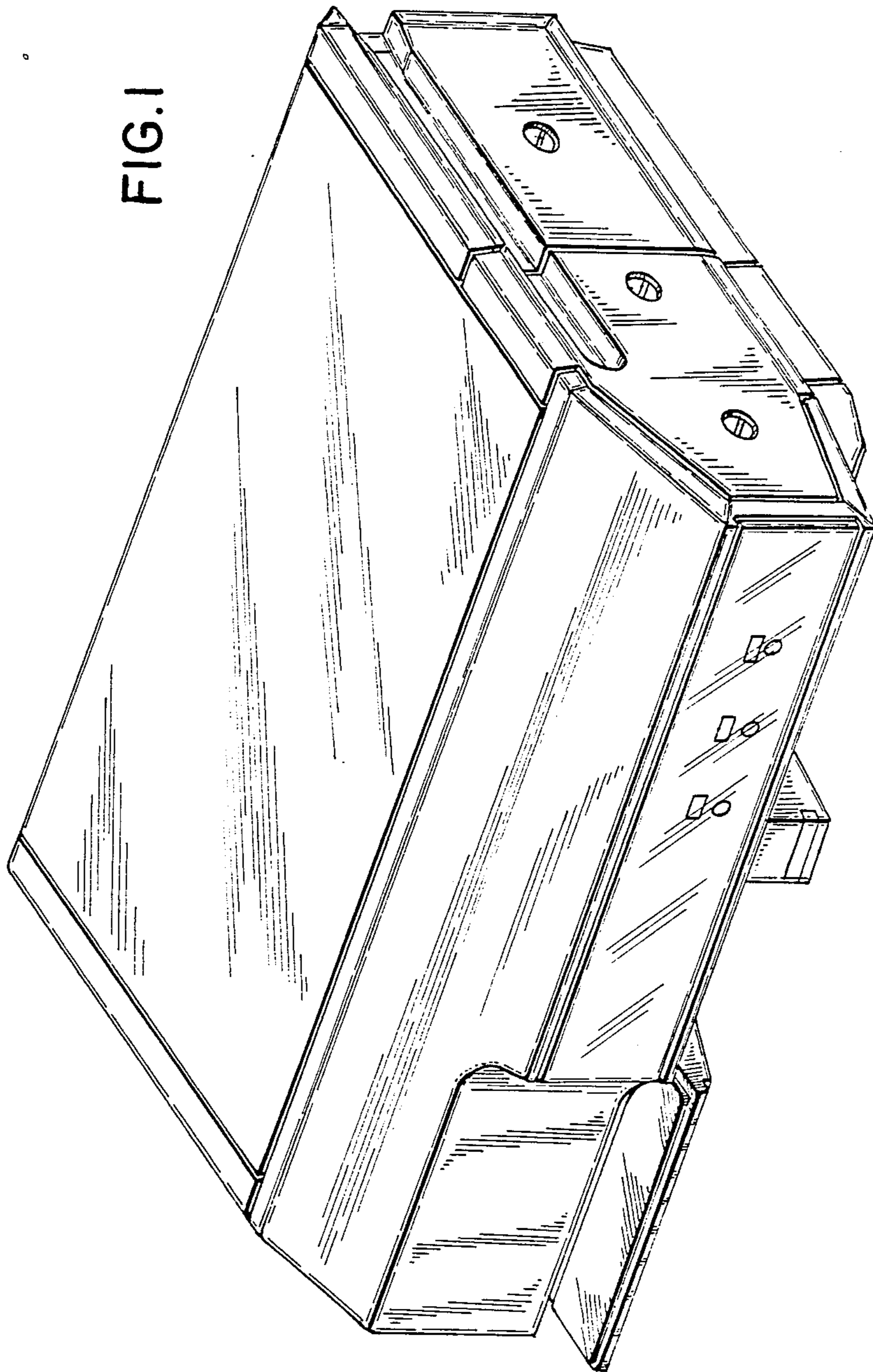


FIG. 2

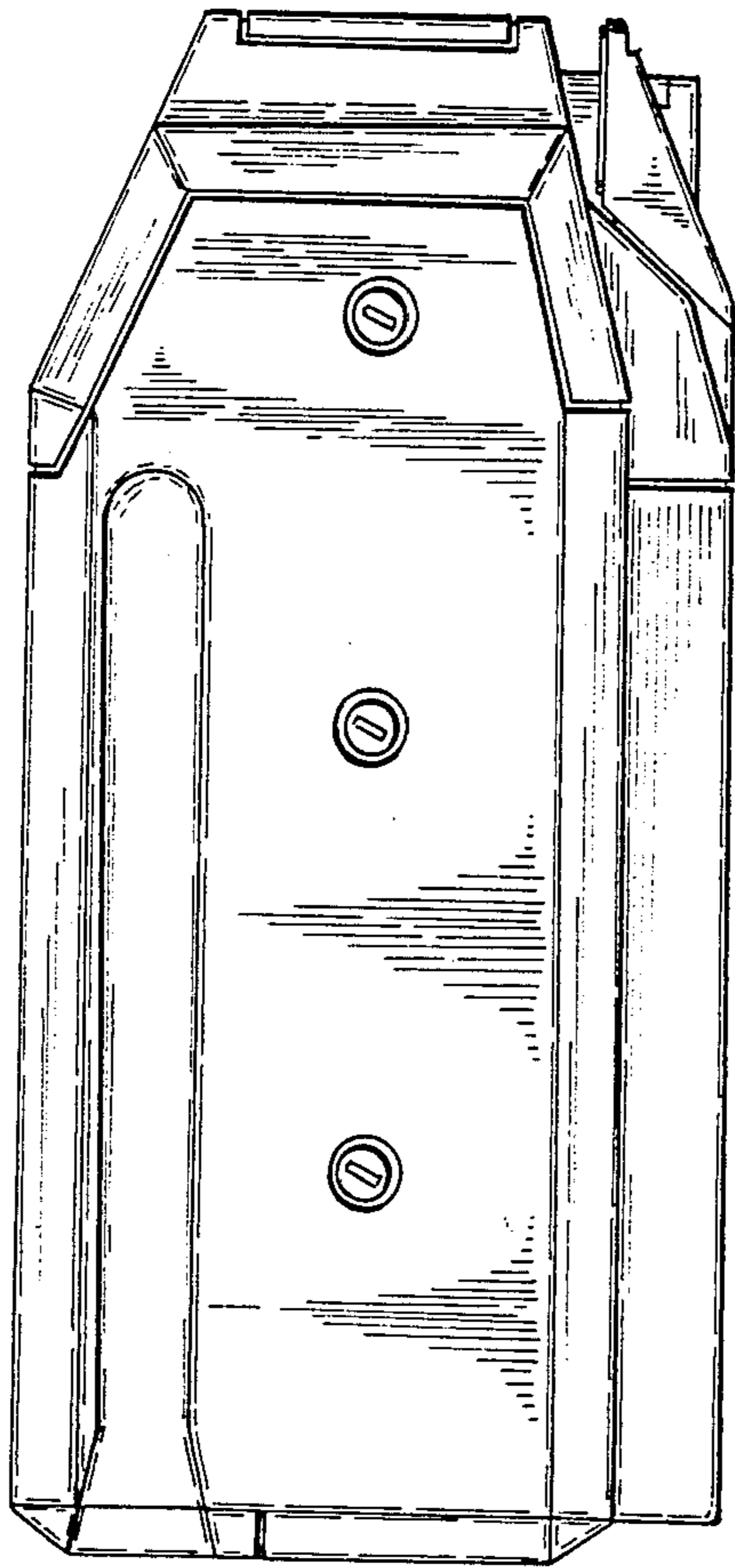


FIG. 3

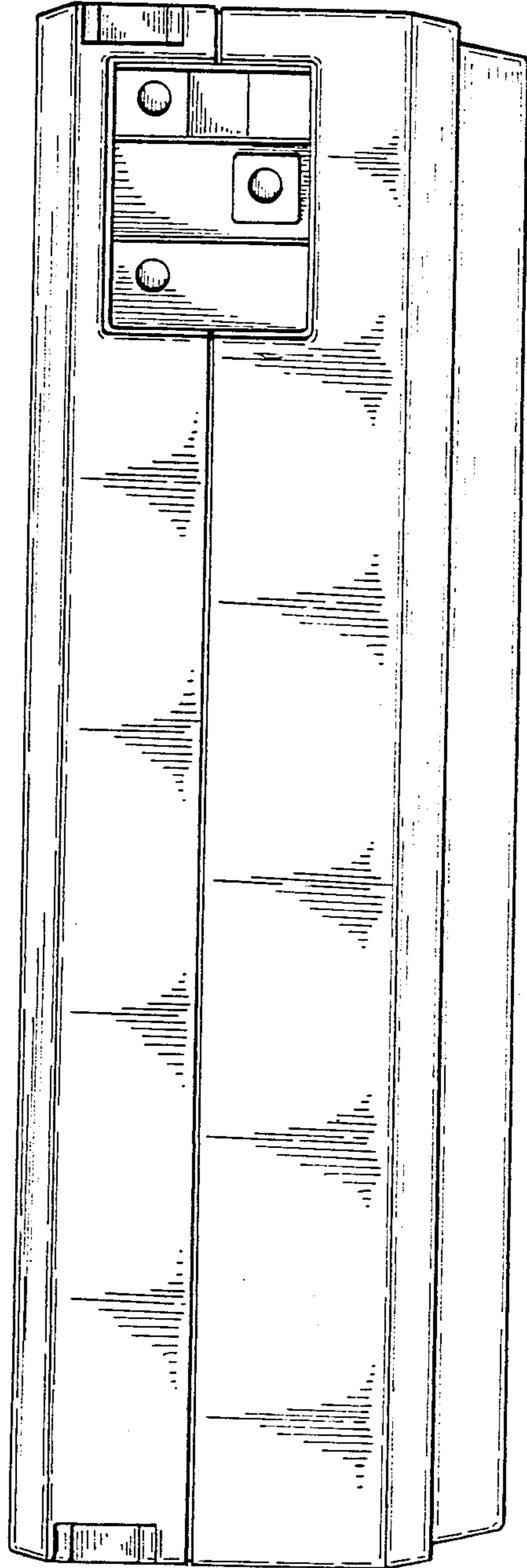


FIG. 4

