

[54] SMALL REVOLVER WITH HAMMER

[76] Inventors: William B. Ruger, Croydon Turnpike, Croydon, N.H. 03773; Lawrence L. Larson, 90 Turtle Bay Dr., Branford, Conn. 06405

[**] Term: 14 Years

[21] Appl. No.: 20,821

[22] Filed: Mar. 2, 1987

[52] U.S. Cl. D22/104

[58] Field of Search D22/104, 108, 109; 42/71.2, 77

[56] References Cited PUBLICATIONS

Pistol & Revolver Digest, 6.1976, p. 78, Revolvers at top right illustration. 1984 Shooter's Bible, No. 75, 6.1983, p. 228, Models Nos. 34 and 60.

Primary Examiner—A. Hugo Word

[57] CLAIM

The ornamental design for a small revolver with hammer, substantially as shown and described.

DESCRIPTION

FIG. 1 is a left side perspective view of the revolver of the present invention; FIG. 2 is a left side elevational view thereof; FIG. 3 is a right side elevational view thereof; FIG. 4 is a top plan view thereof; FIG. 5 is a bottom view thereof;

FIG. 6 is a front elevational view thereof; FIG. 7 is a rear view thereof; FIG. 8 is a right side perspective view thereof; FIG. 9 is a right side elevational view of the modification thereof; FIG. 10 is a partial right side perspective view of the modification thereof; FIG. 11 is a left side elevational view of the modification thereof; FIG. 12 is a partial left side perspective view of the modification thereof; FIG. 13 is a top plan view of the modification thereof; FIG. 14 is a front elevational view of the modification thereof; FIG. 15 is a rear elevational view of the modification thereof; FIG. 16 is a right side perspective view of the modification thereof; FIG. 17 is a right side perspective view of the modification thereof; FIG. 18 is a left-hand elevational view of a further modification thereof; FIG. 19 is a right-hand elevational view of the modification thereof; FIG. 20 is a top plan view of the modification thereof; FIG. 21 is a bottom plan view of the modification thereof; FIG. 22 is a front elevational view of the modification thereof; FIG. 23 is a rear elevational view of the modification thereof; FIG. 24 is a left-hand perspective view of the modification thereof; and FIG. 25 is a right-hand perspective view of the modification thereof.

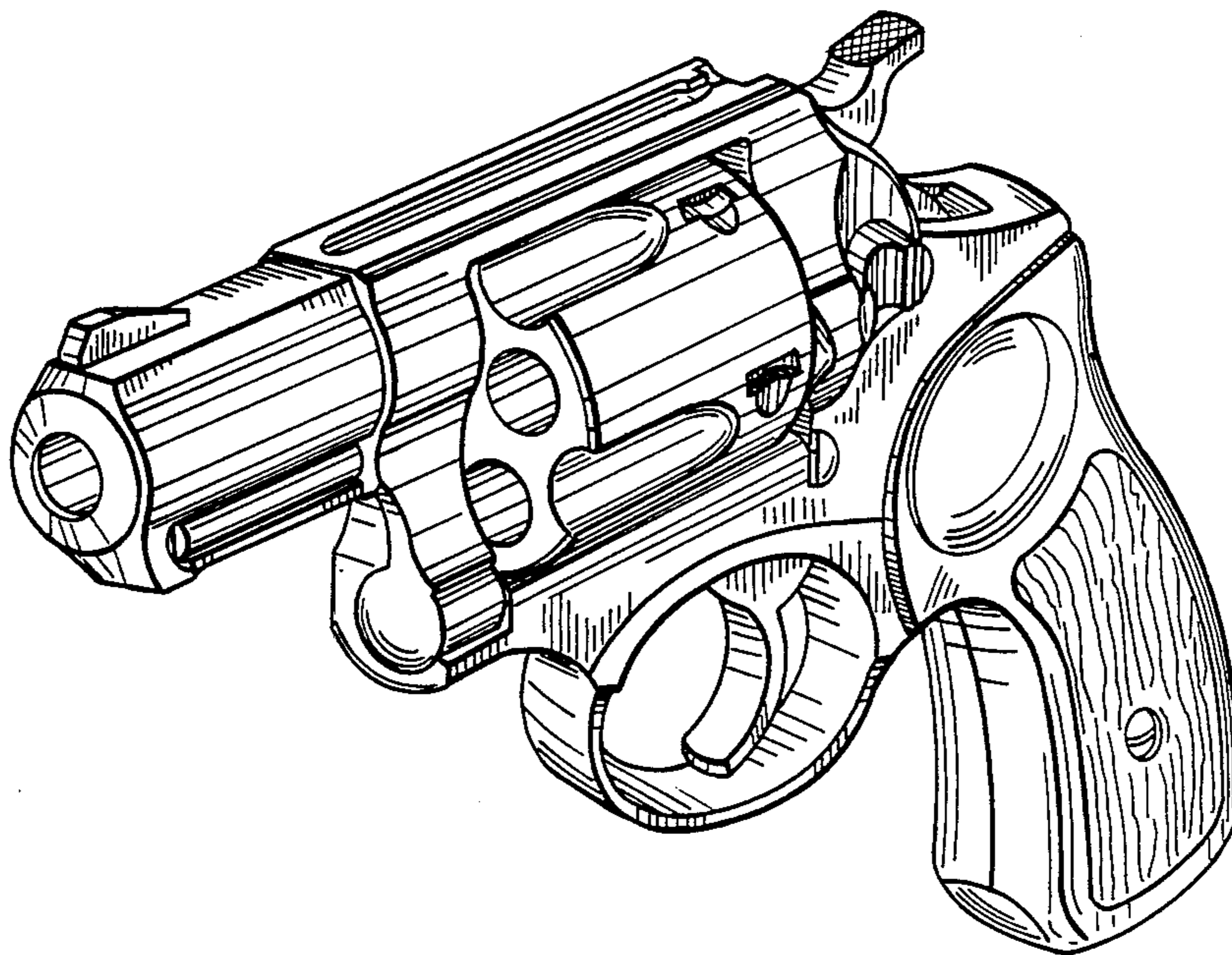


FIG. 1

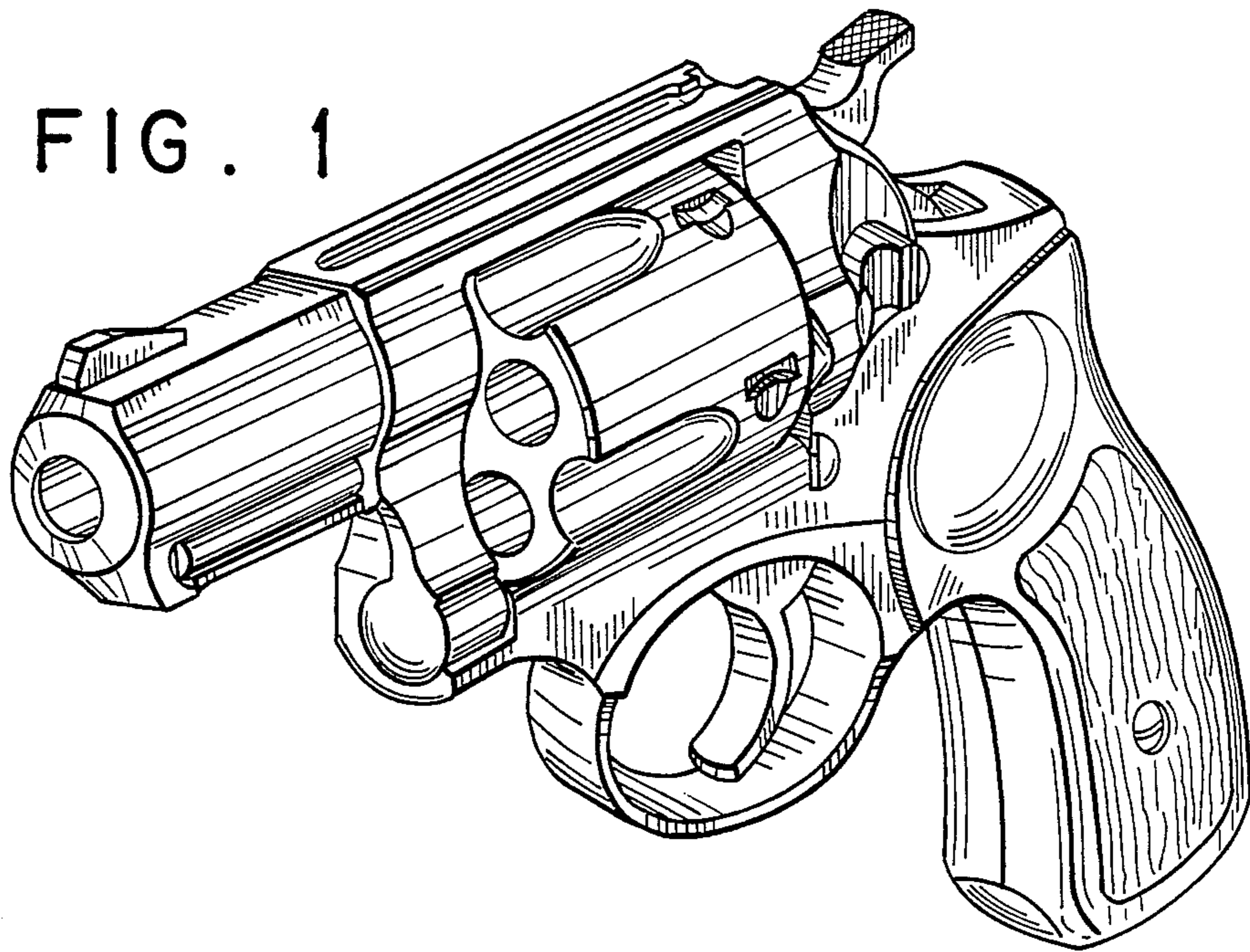


FIG. 2

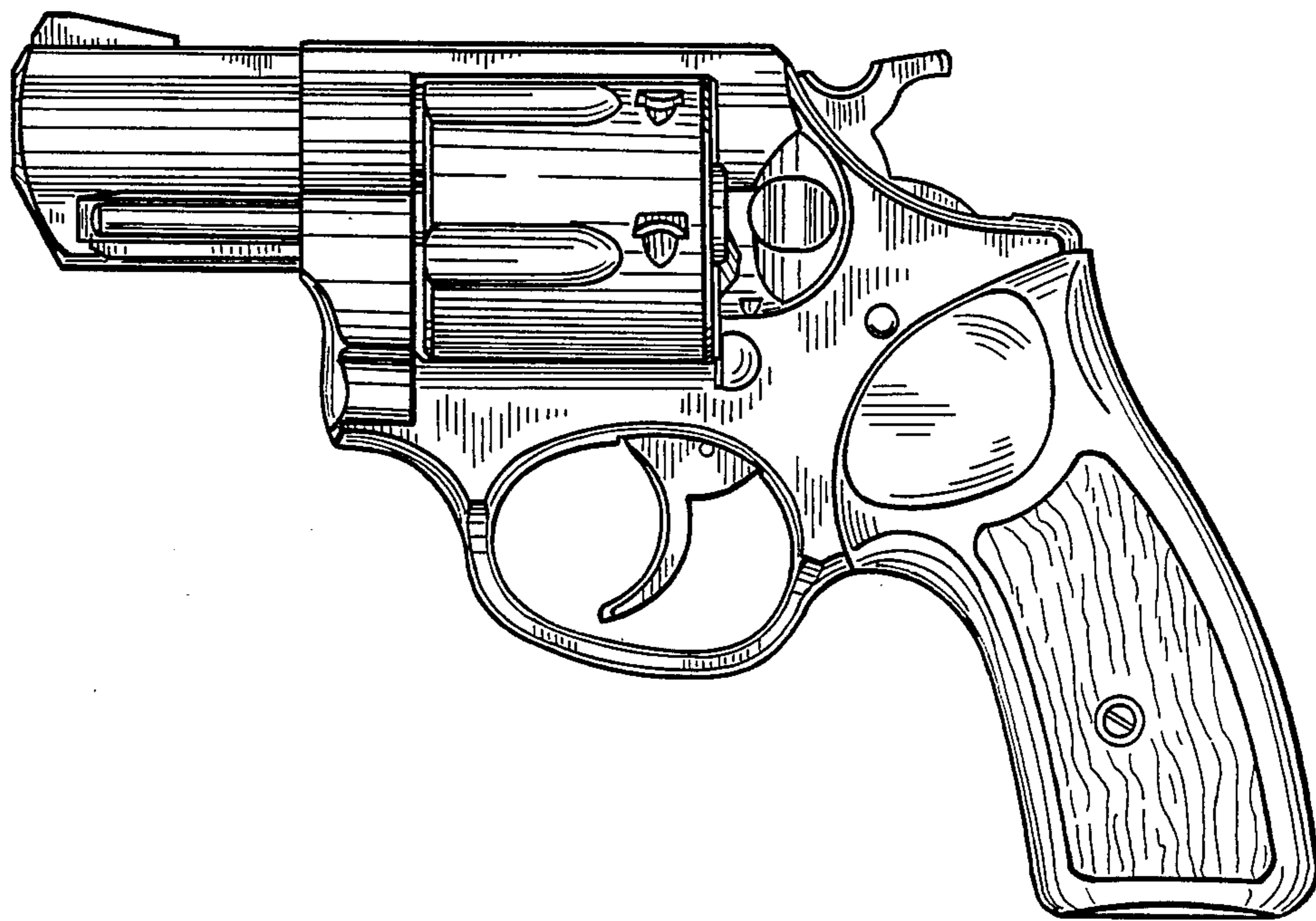


FIG. 4

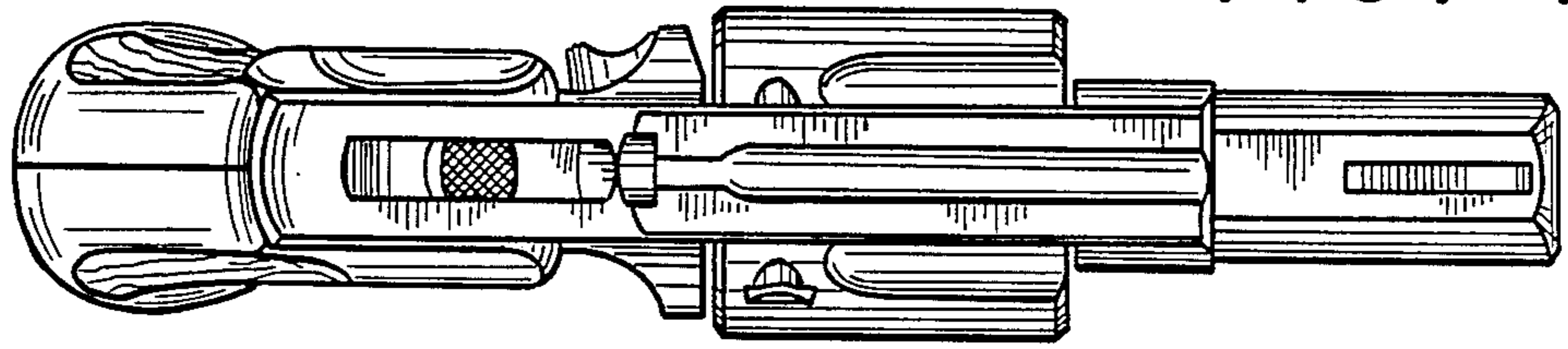


FIG. 3

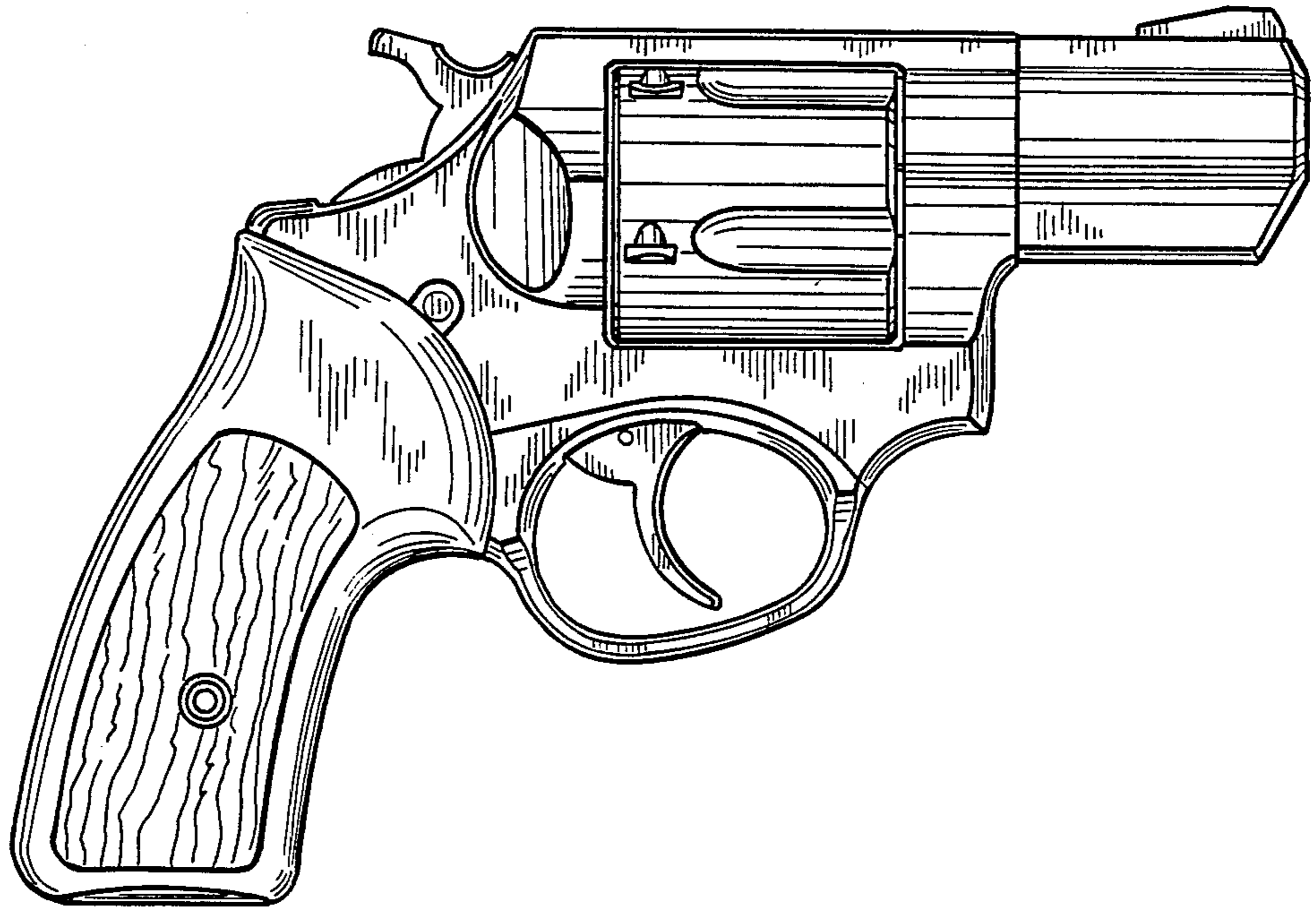


FIG. 5

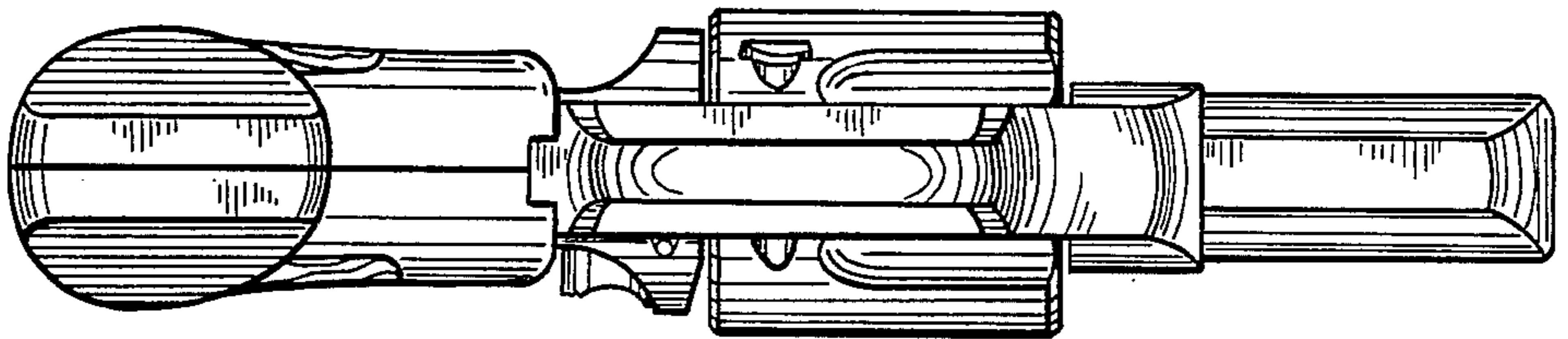


FIG. 6

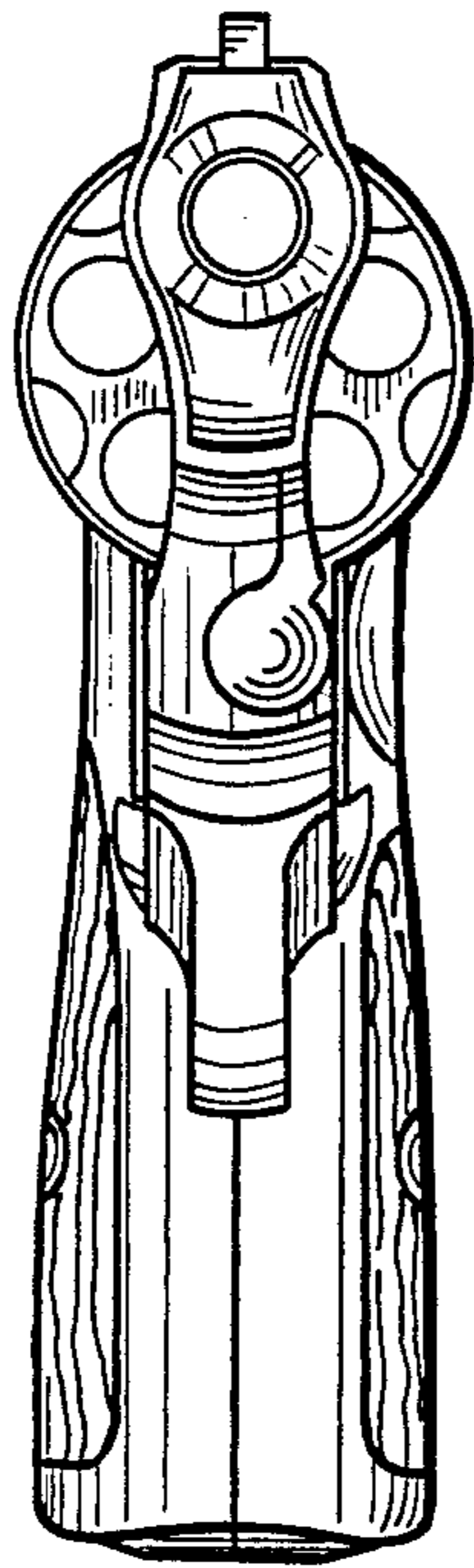


FIG. 7

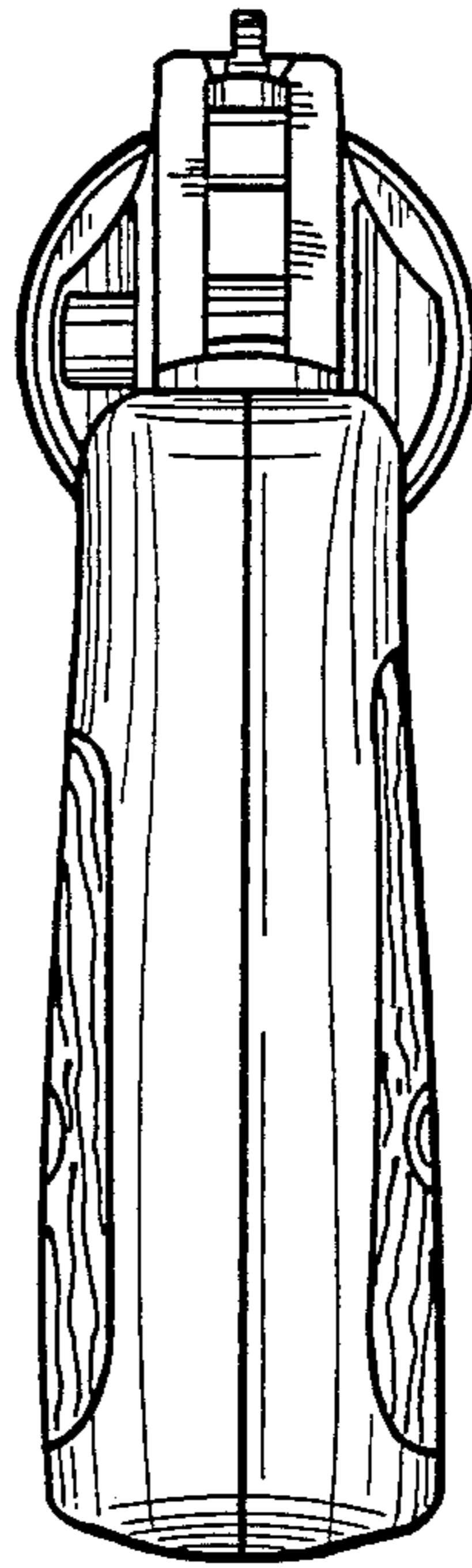
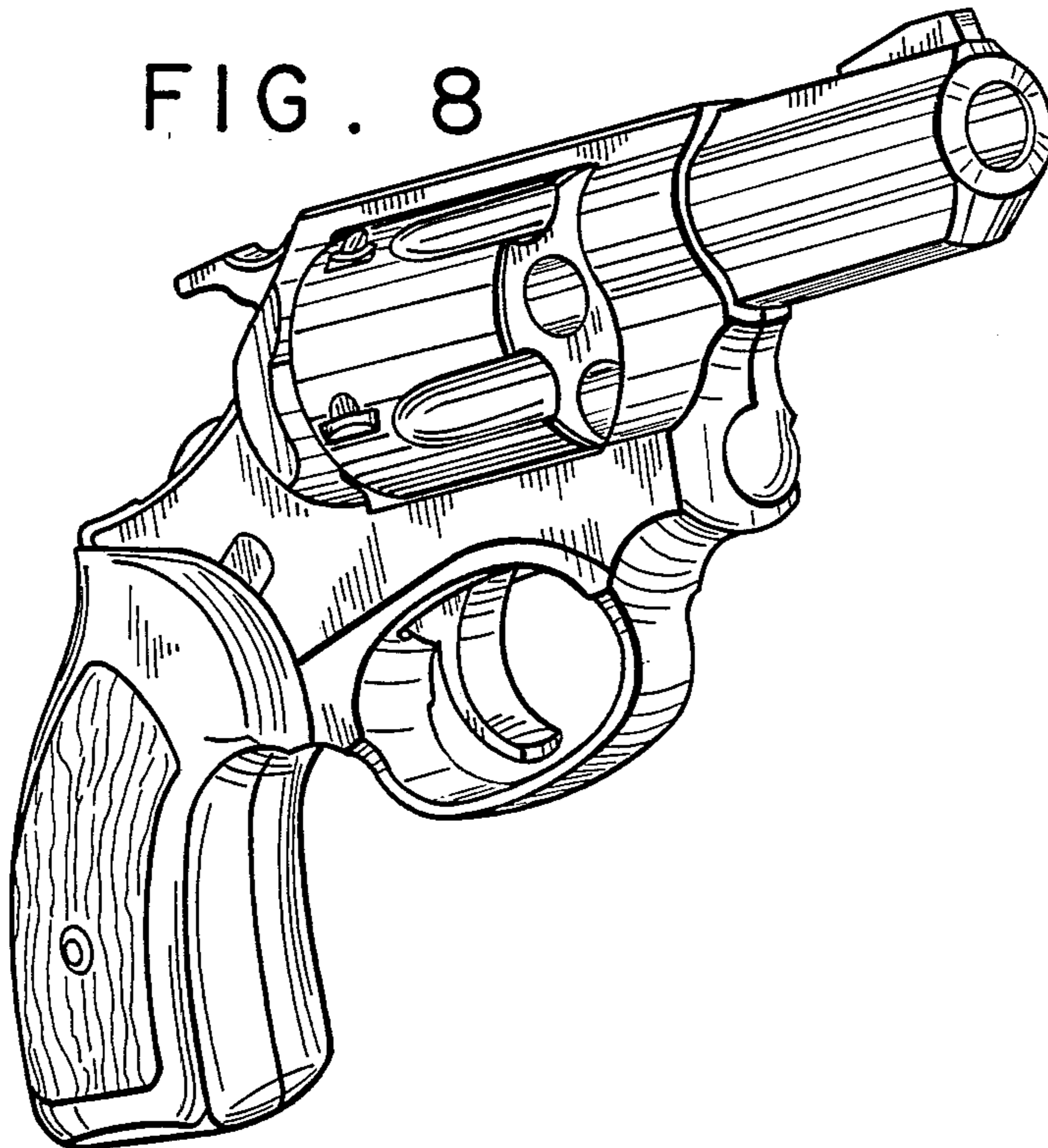


FIG. 8



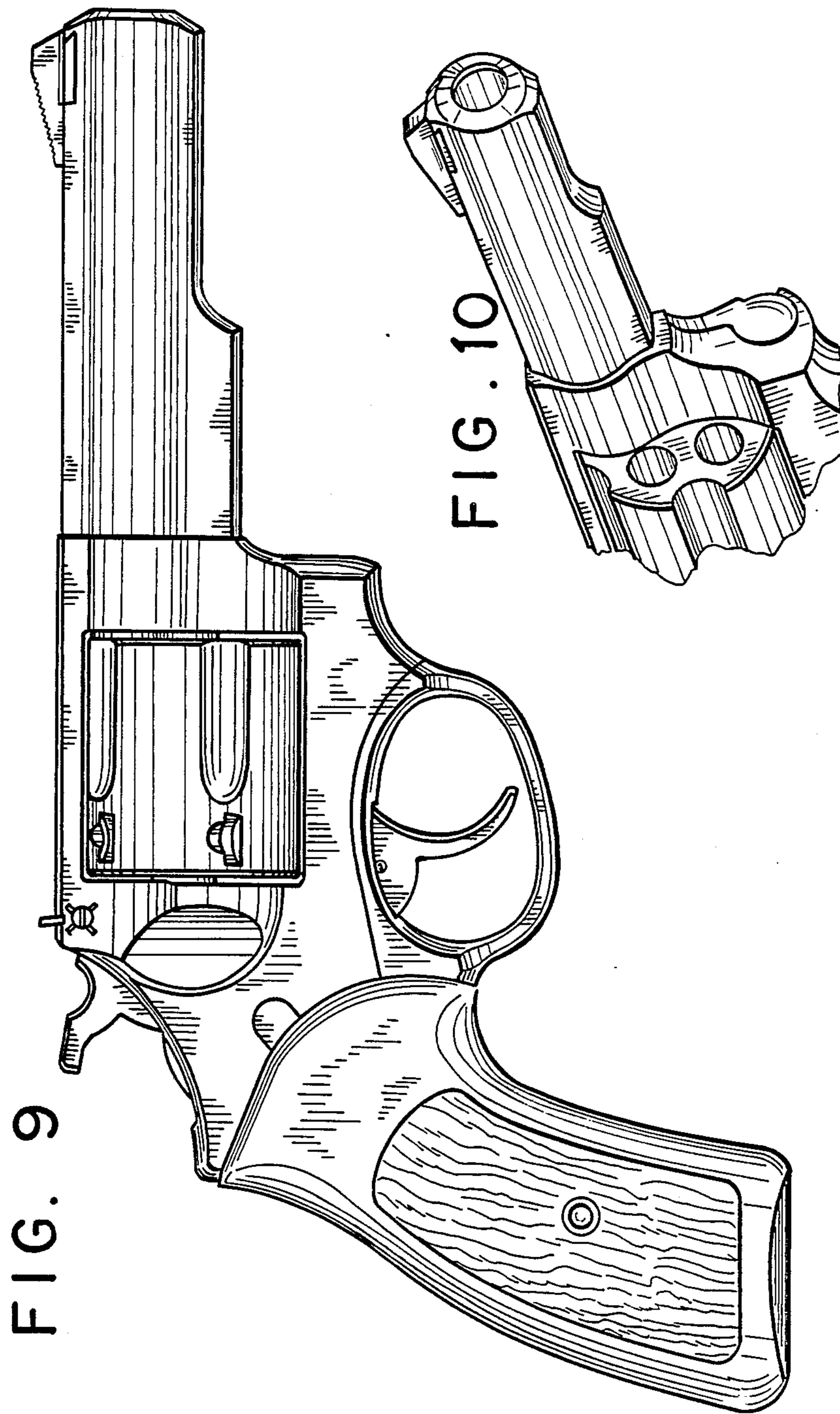


FIG. 9

FIG. 10

FIG. 11

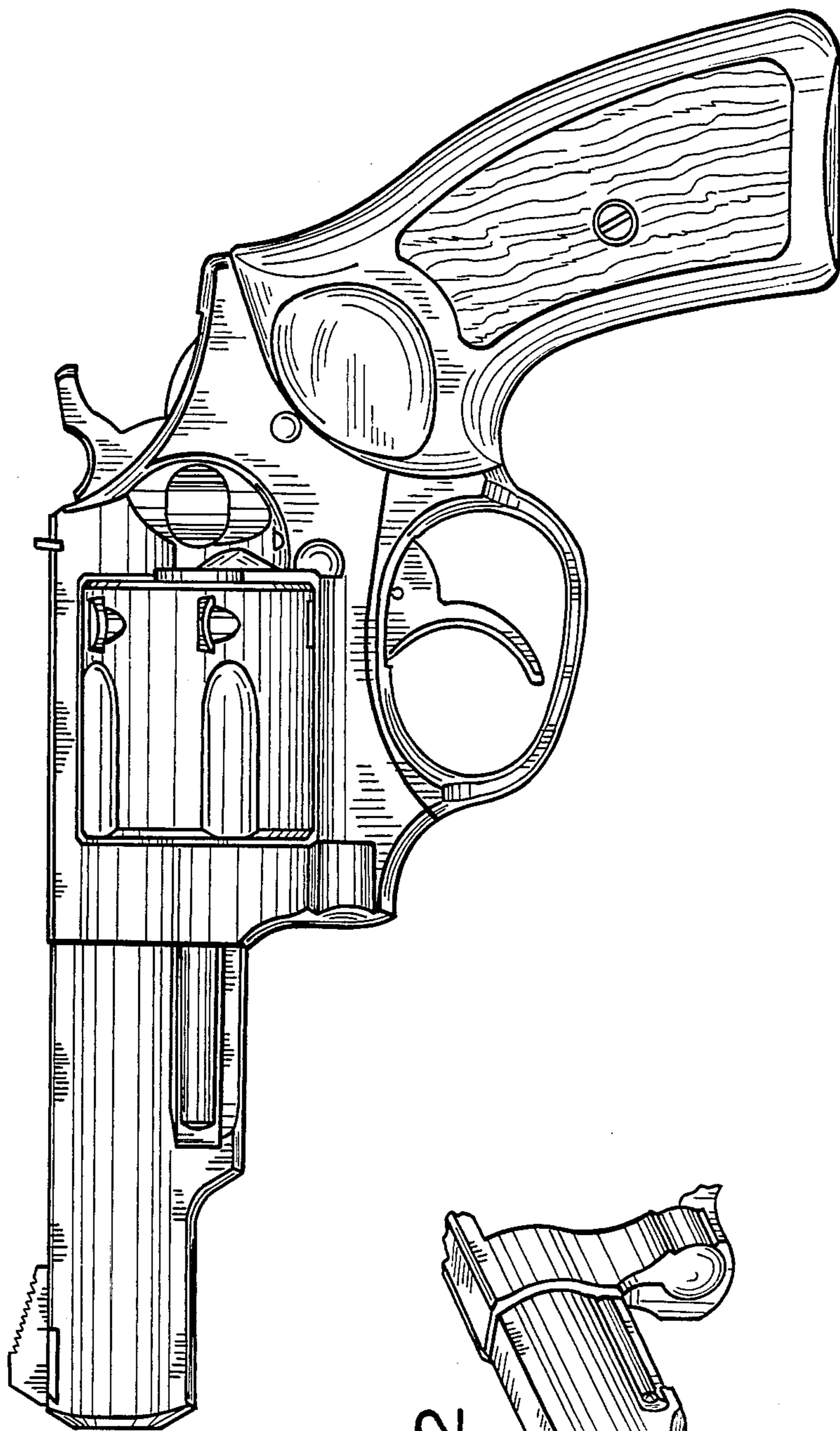
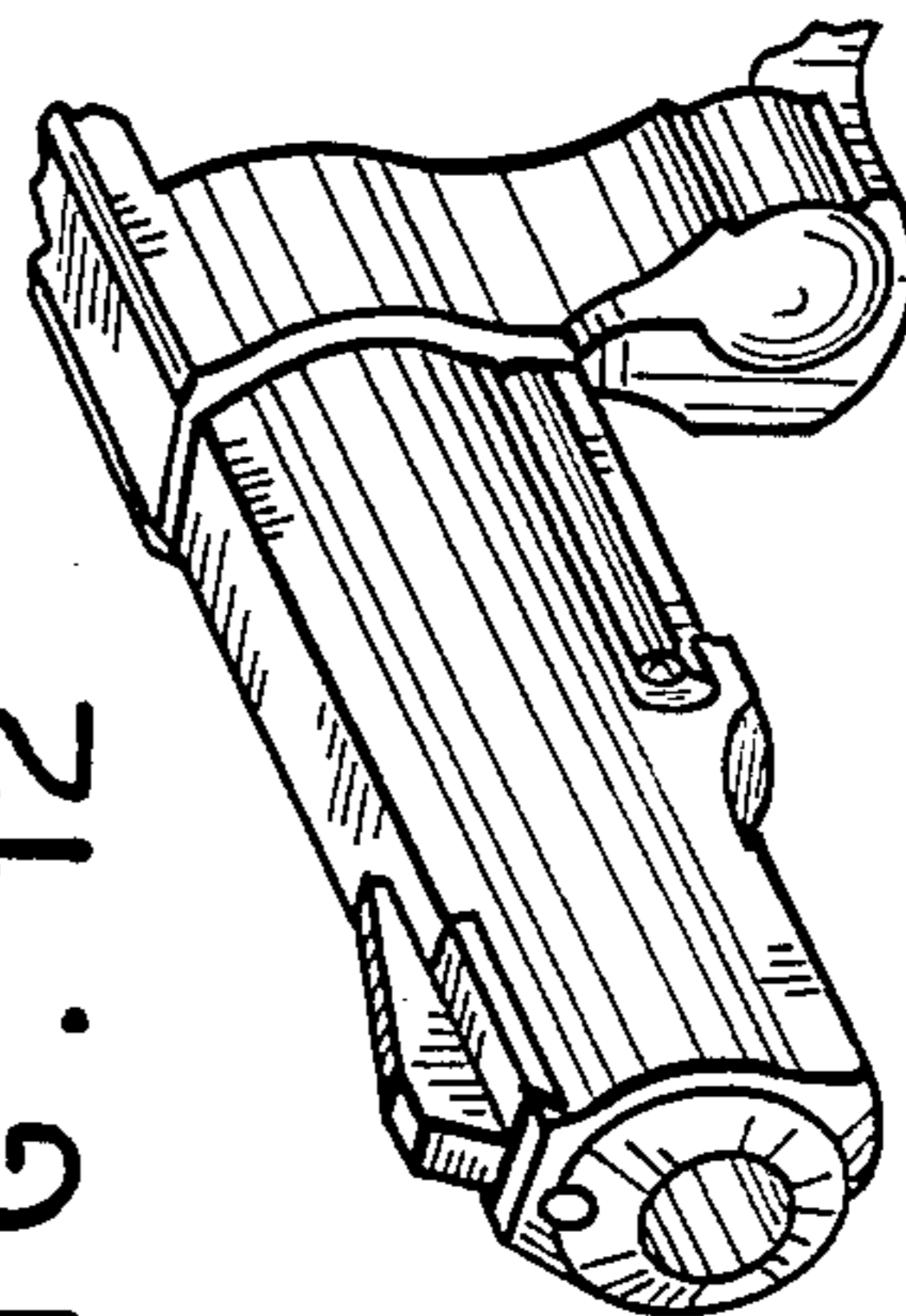


FIG. 12



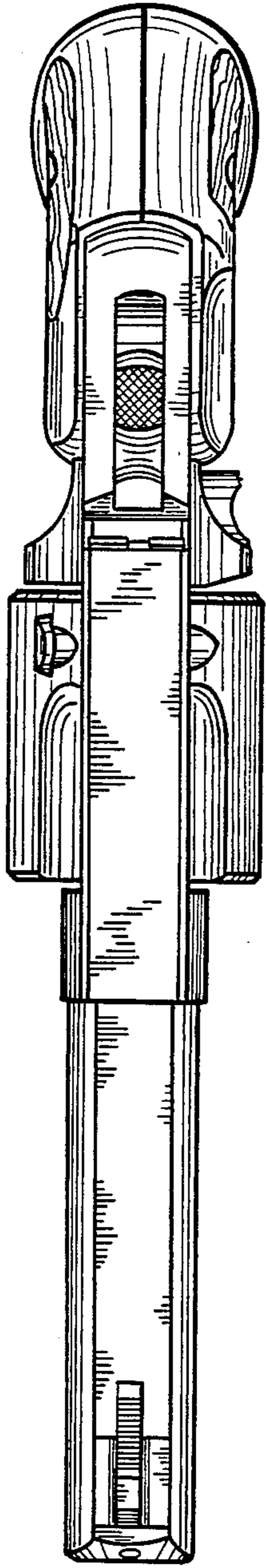


FIG. 13

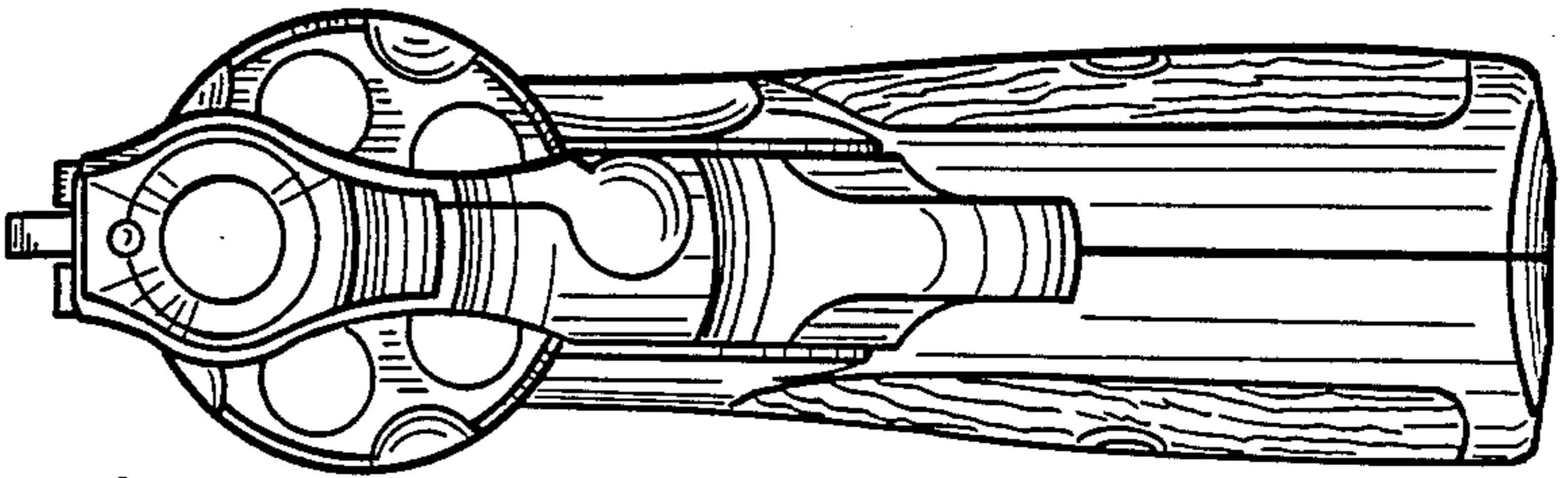


FIG. 14

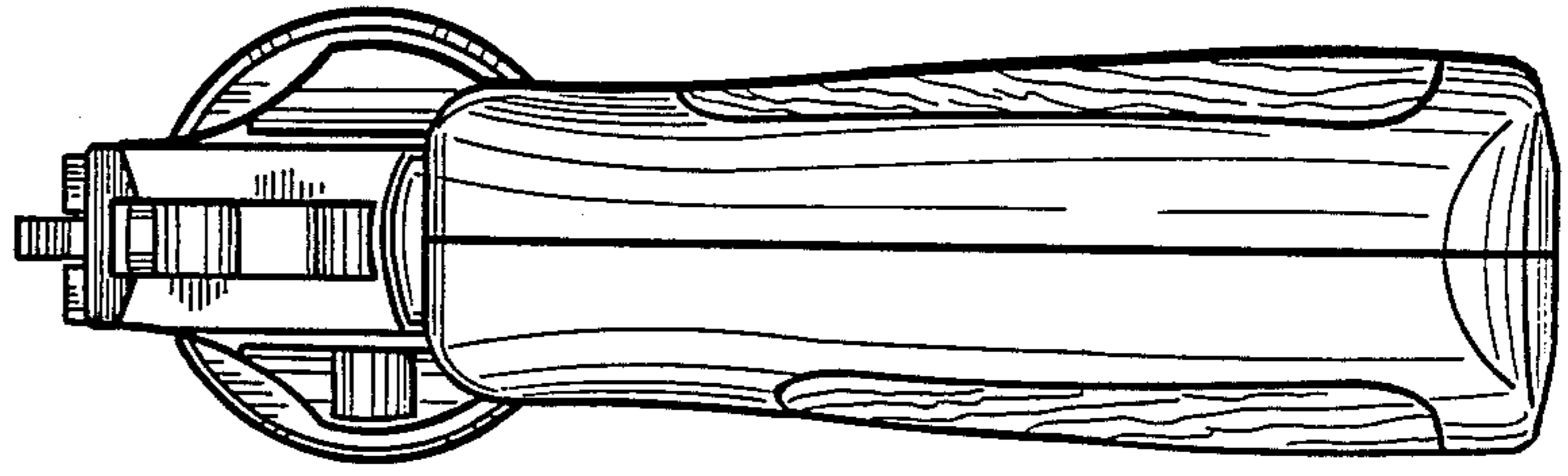


FIG. 15

FIG. 16

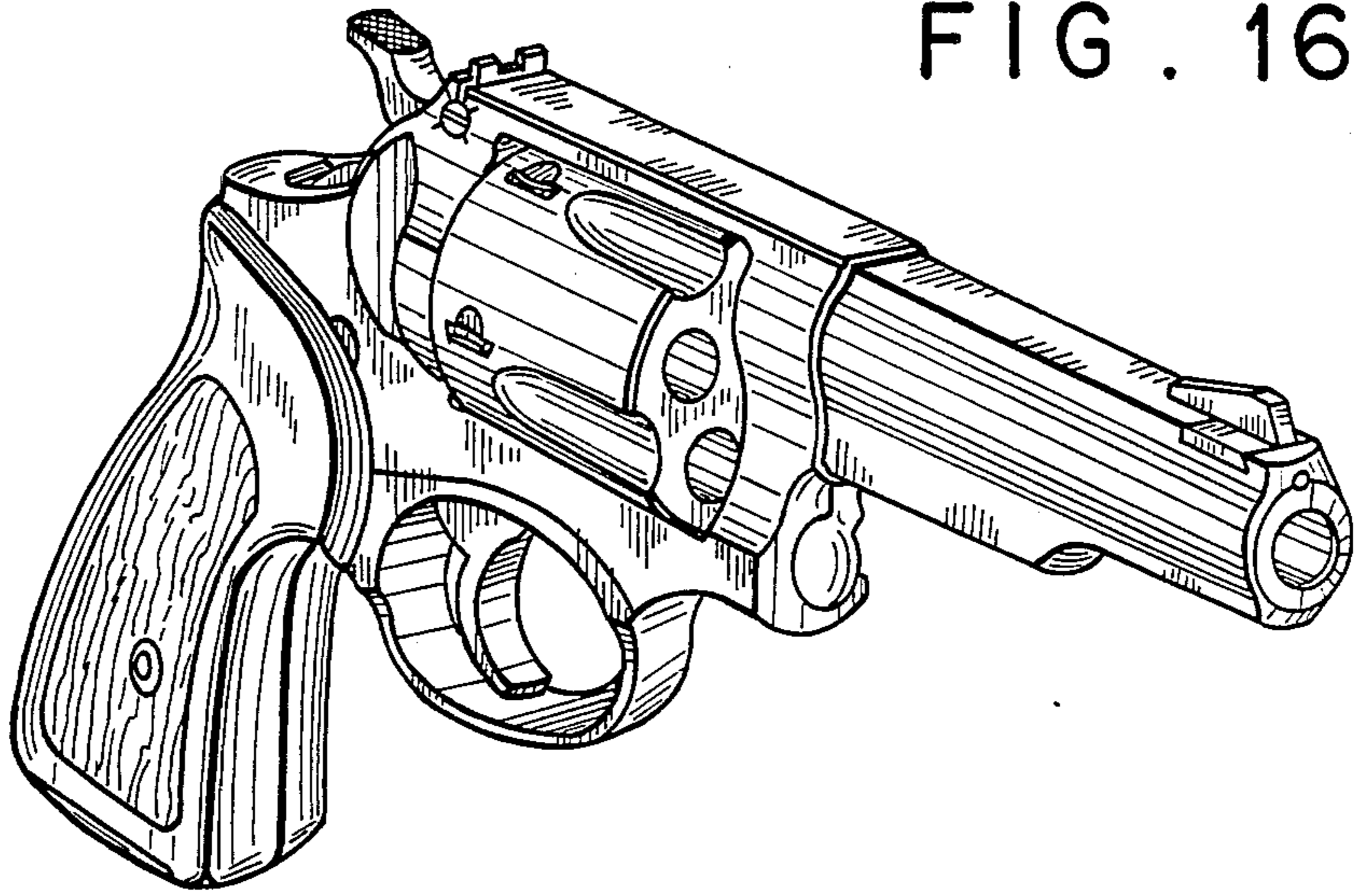
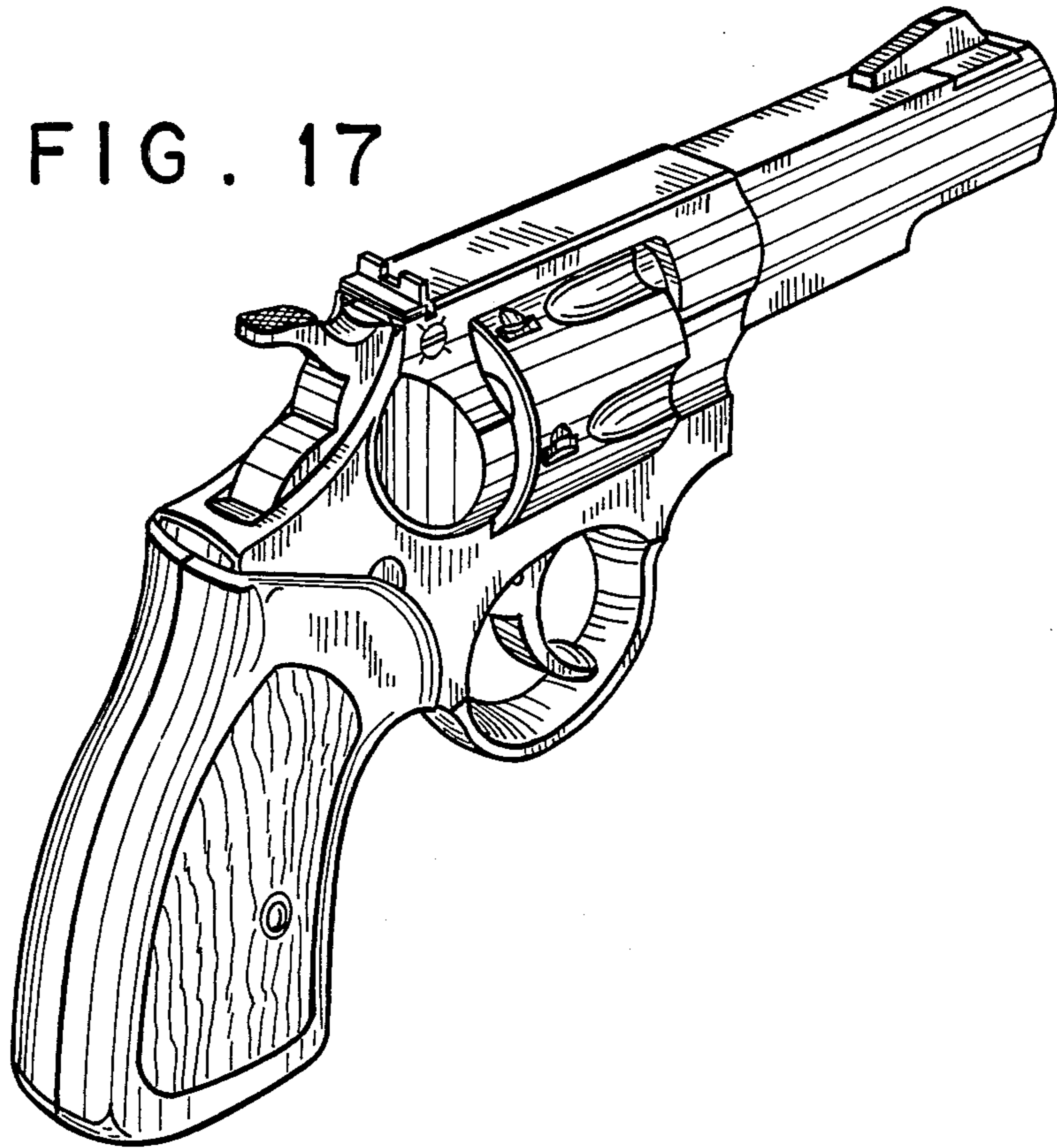


FIG. 17



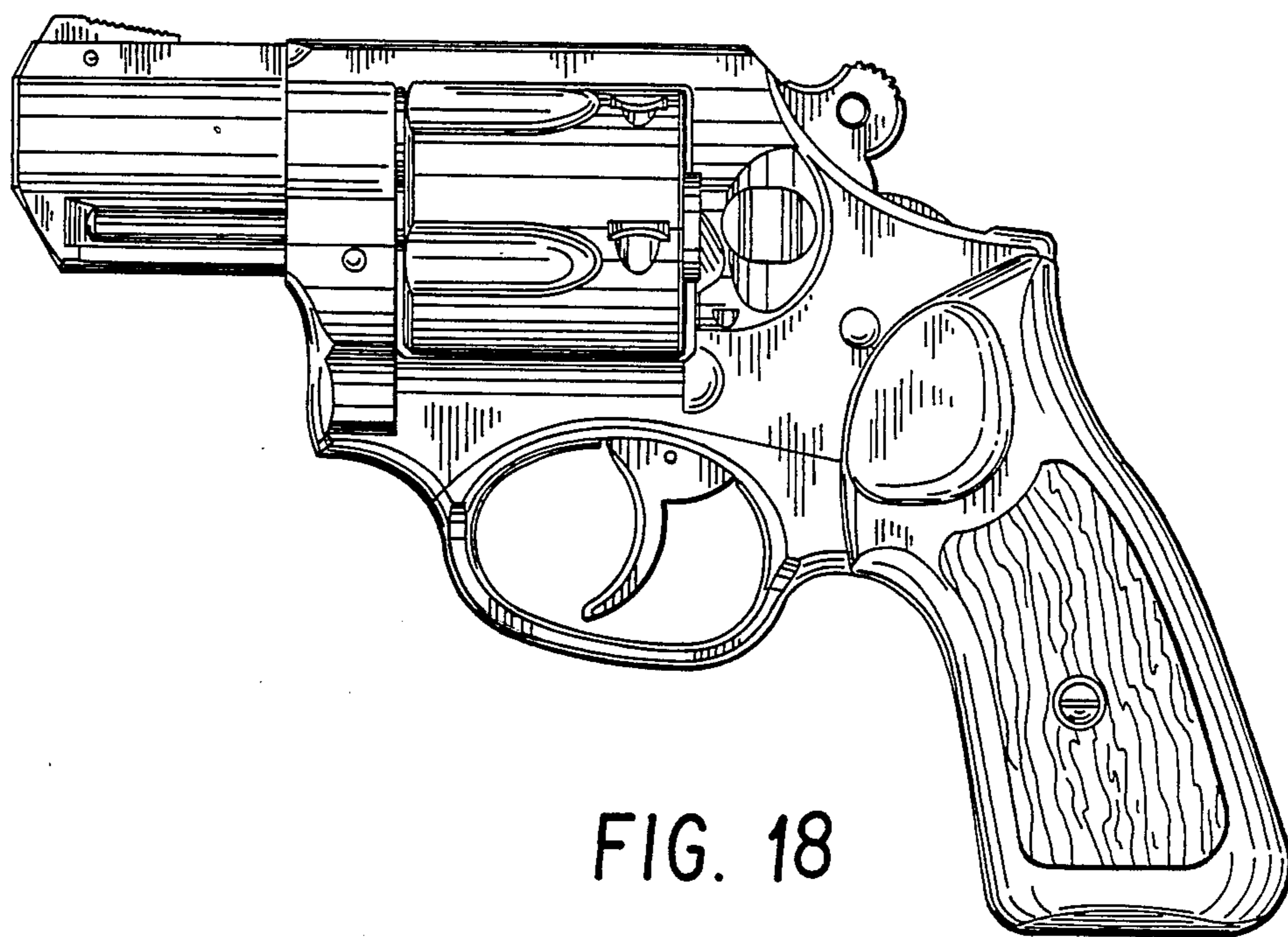


FIG. 18

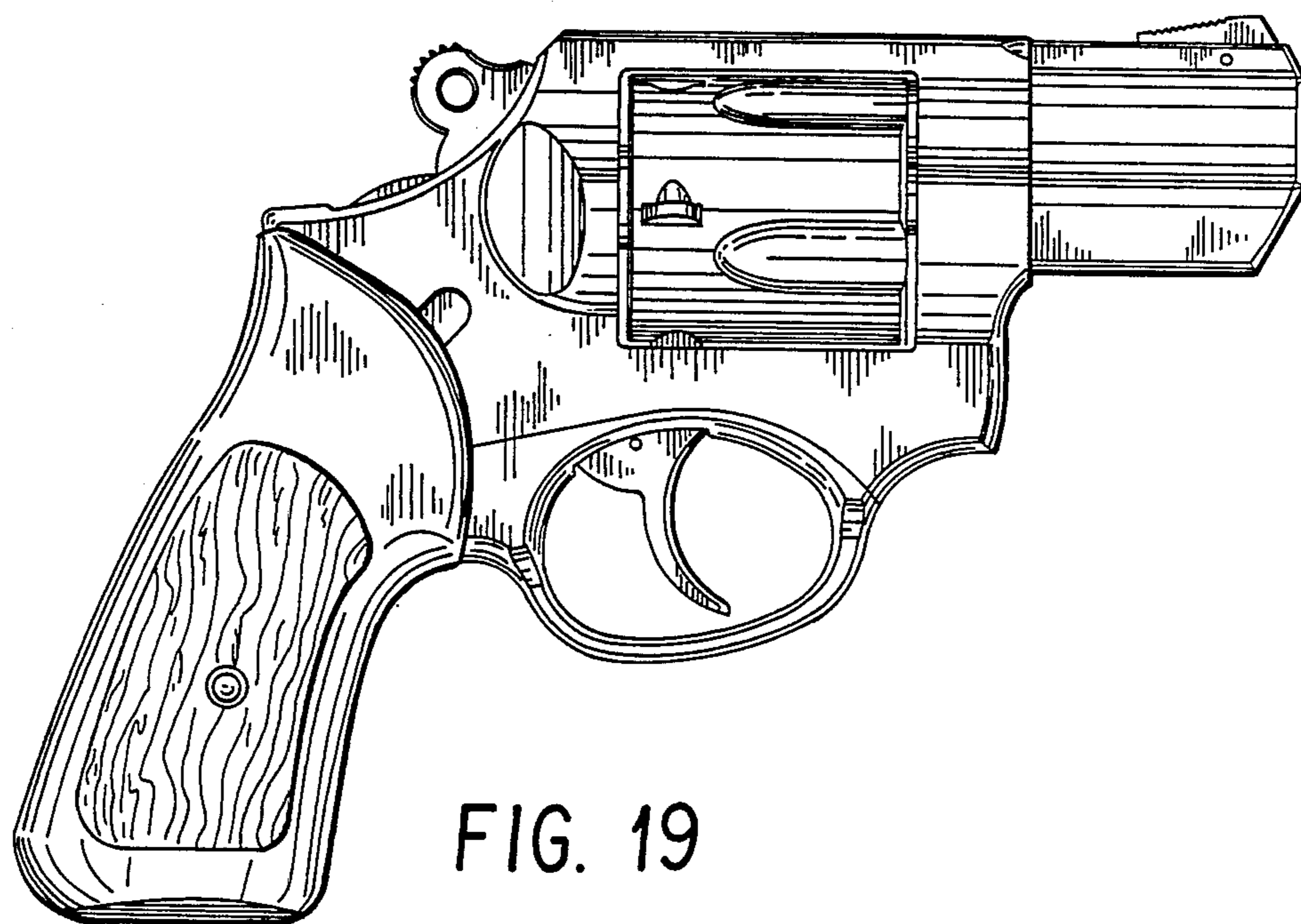


FIG. 19

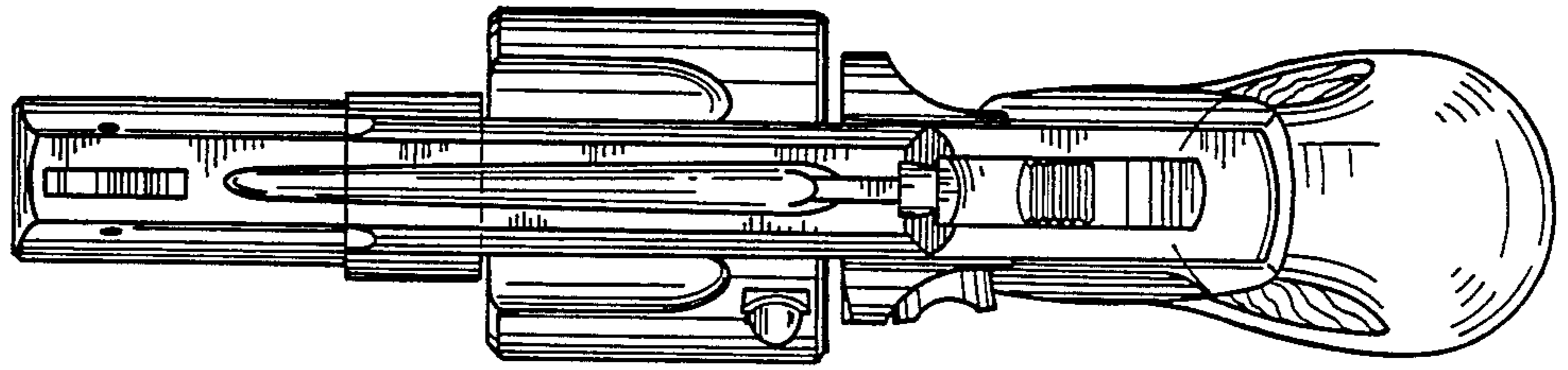


FIG. 20

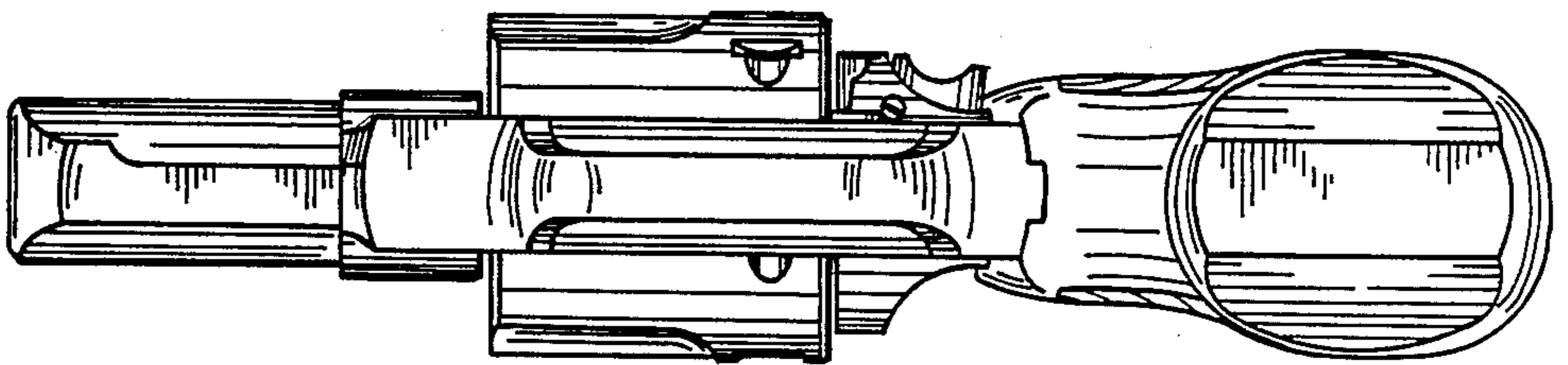


FIG. 21

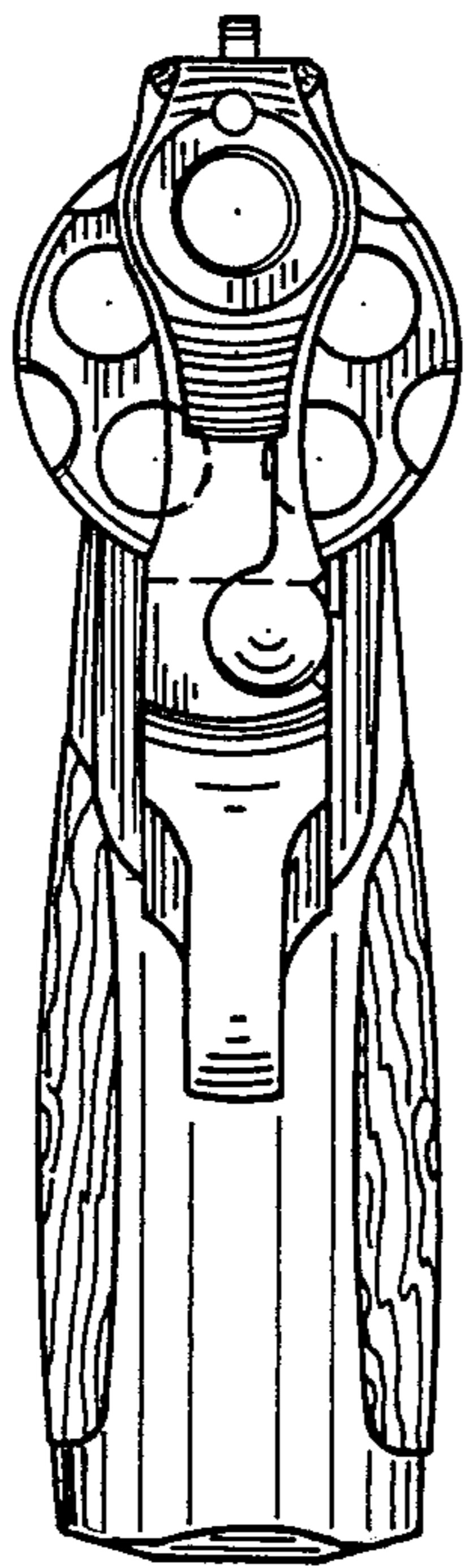


FIG. 22

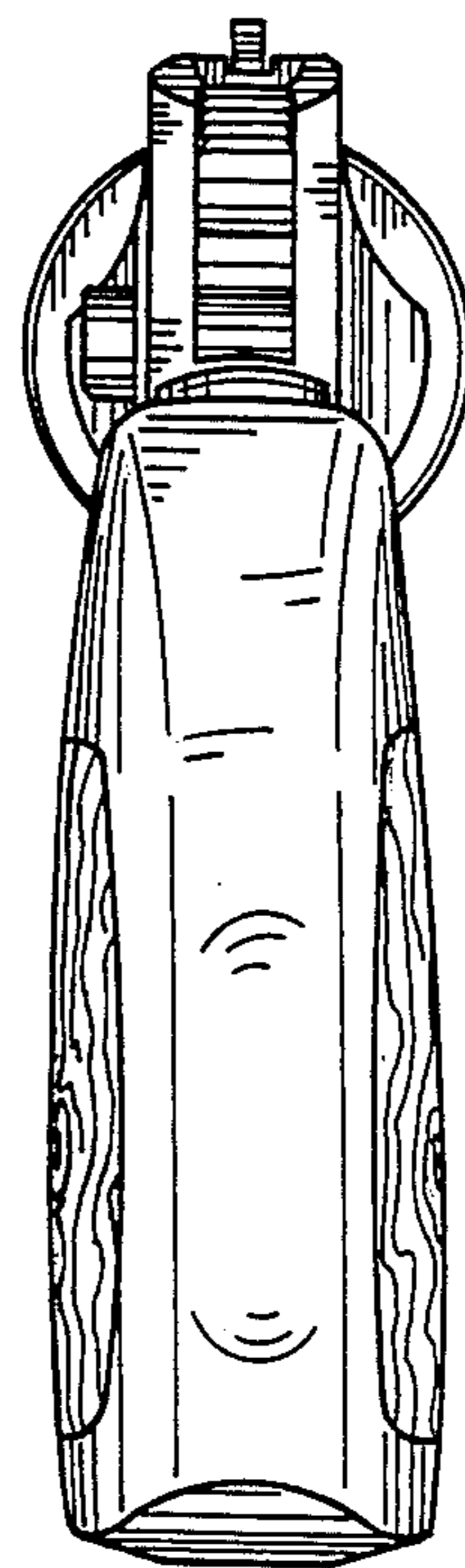


FIG. 23

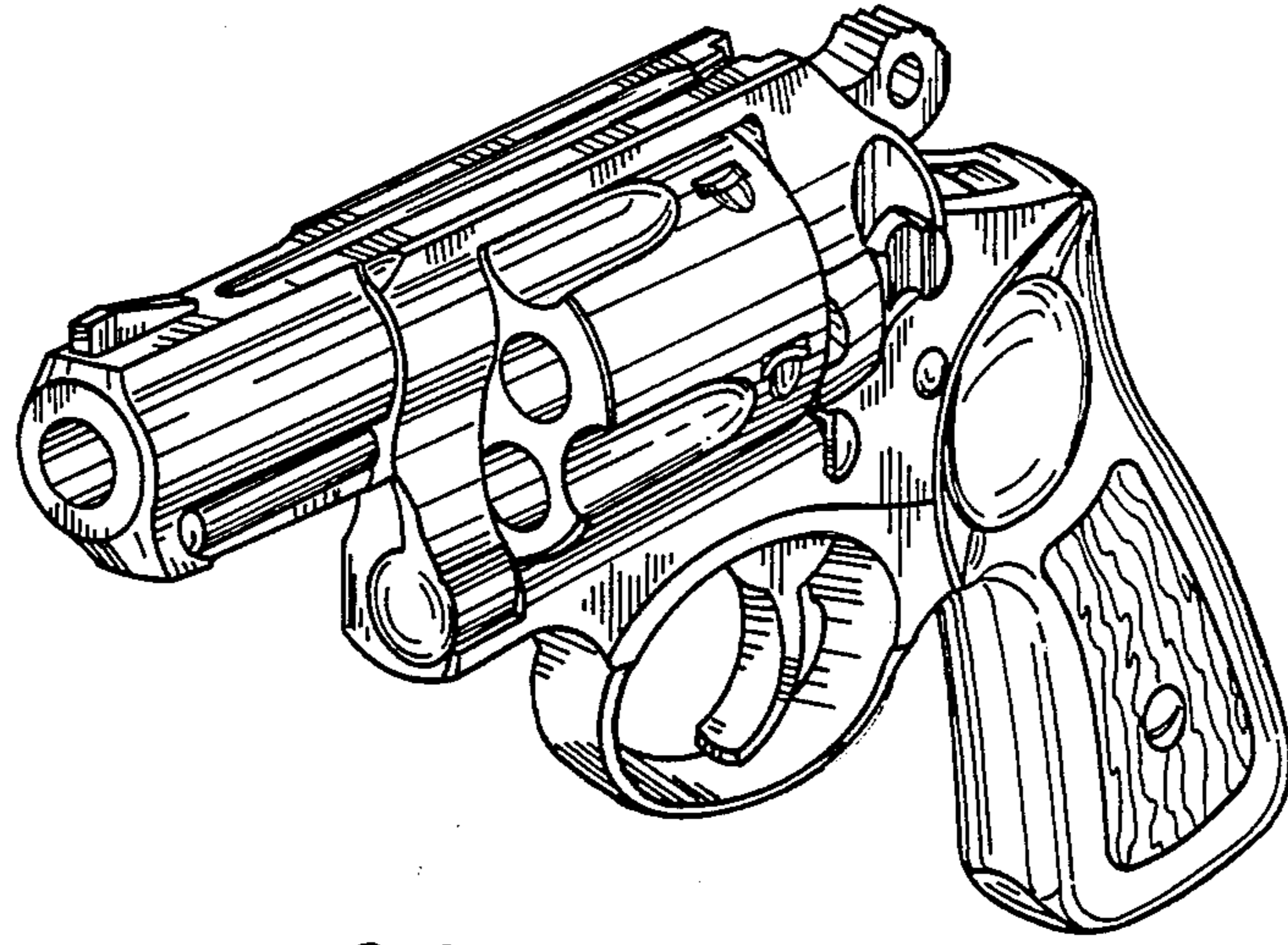


FIG. 24

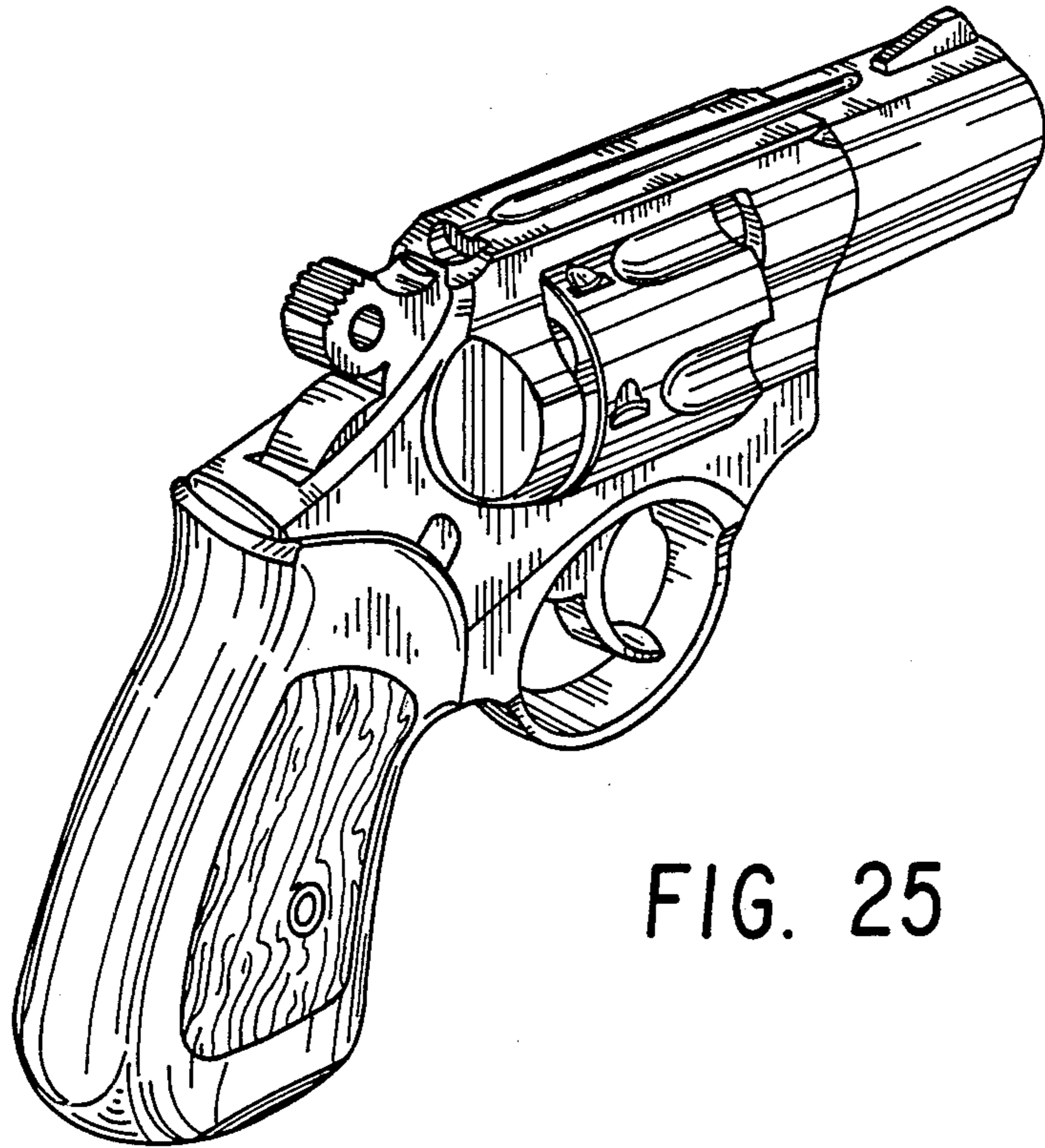


FIG. 25