

[54] **FLOAT**

[75] **Inventor: Henry S. Wolfe, Clearwater, Fla.**

[73] **Assignee: The Frenry Company, Clearwater, Fla.**

[**] **Term: 14 Years**

[21] **Appl. No.: 923,728**

[22] **Filed: Oct. 24, 1986**

[52] **U.S. Cl. D21/237**

[58] **Field of Search D12/316; D21/237, 316, D21/157, 164, 165; 441/129-132, 88, 40, 41**

[56] **References Cited**

U.S. PATENT DOCUMENTS

- D. 287,870 1/1987 Wolfe D21/237
- D. 291,716 9/1987 Wolfe D21/237

2,404,729 7/1946 Hurt D21/157

Primary Examiner—Wallace R. Burke
Assistant Examiner—Kay H. Chin
Attorney, Agent, or Firm—Herbert W. Larson

[57] **CLAIM**

The ornamental design for a float, as shown and described.

DESCRIPTION

FIG. 1 is a rear elevational view of a float showing my new design;
FIG. 2 is a front elevational view thereof;
FIG. 3 is a right side elevational view thereof, the left side elevational view being a mirror image of that shown;
FIG. 4 is a top plan view thereof; and
FIG. 5 is a bottom plan view thereof.

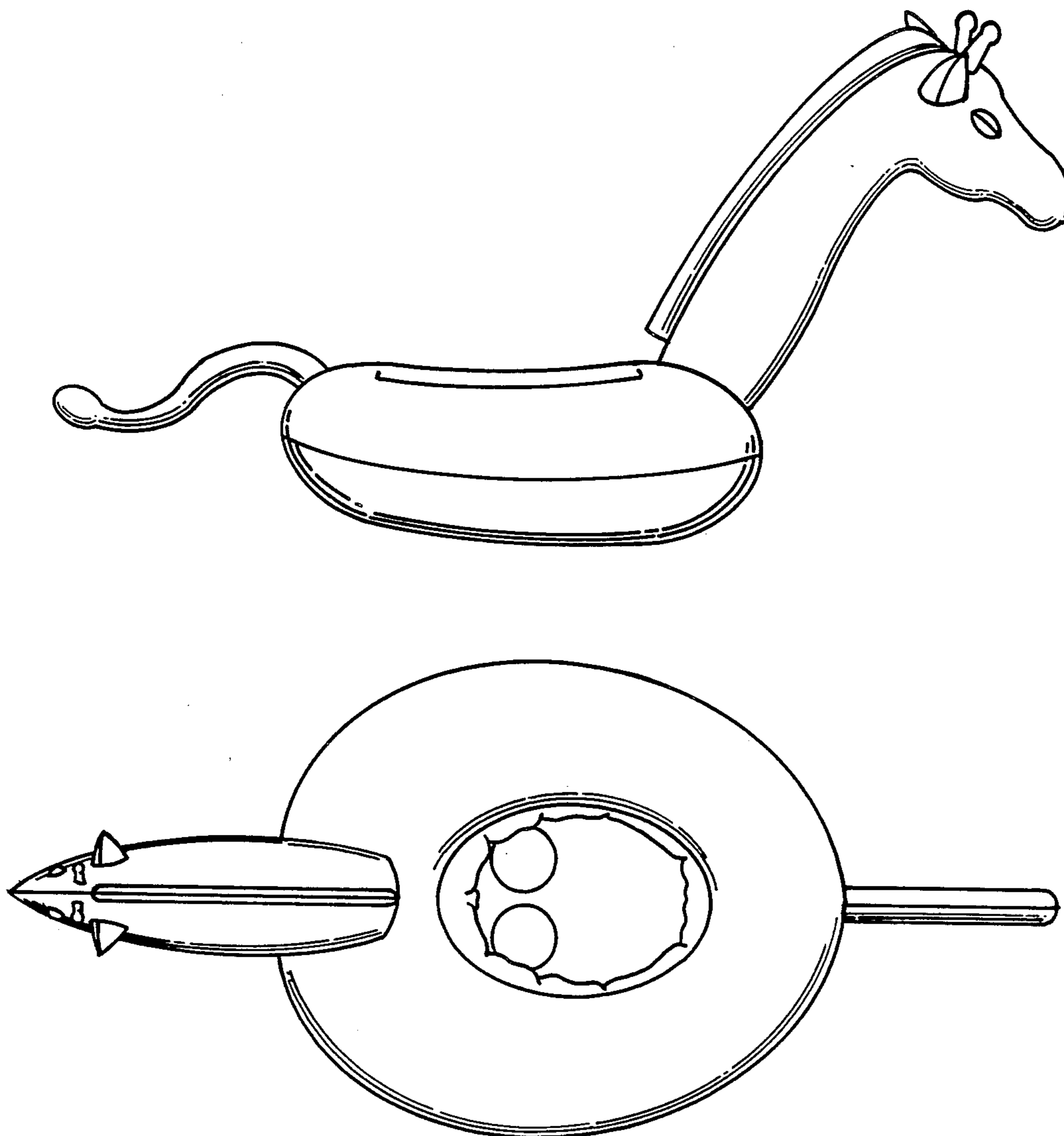


FIG. 1

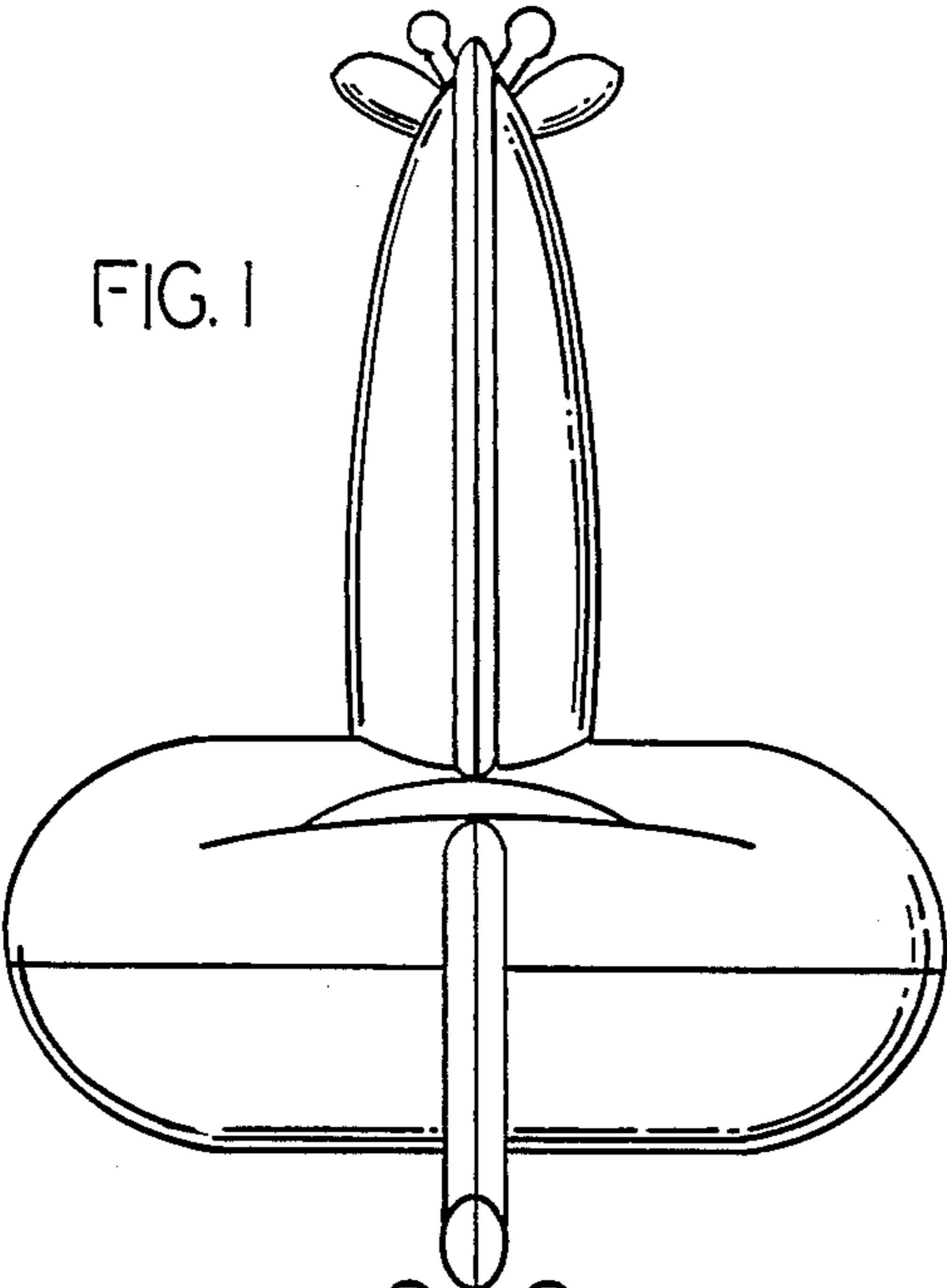


FIG. 2

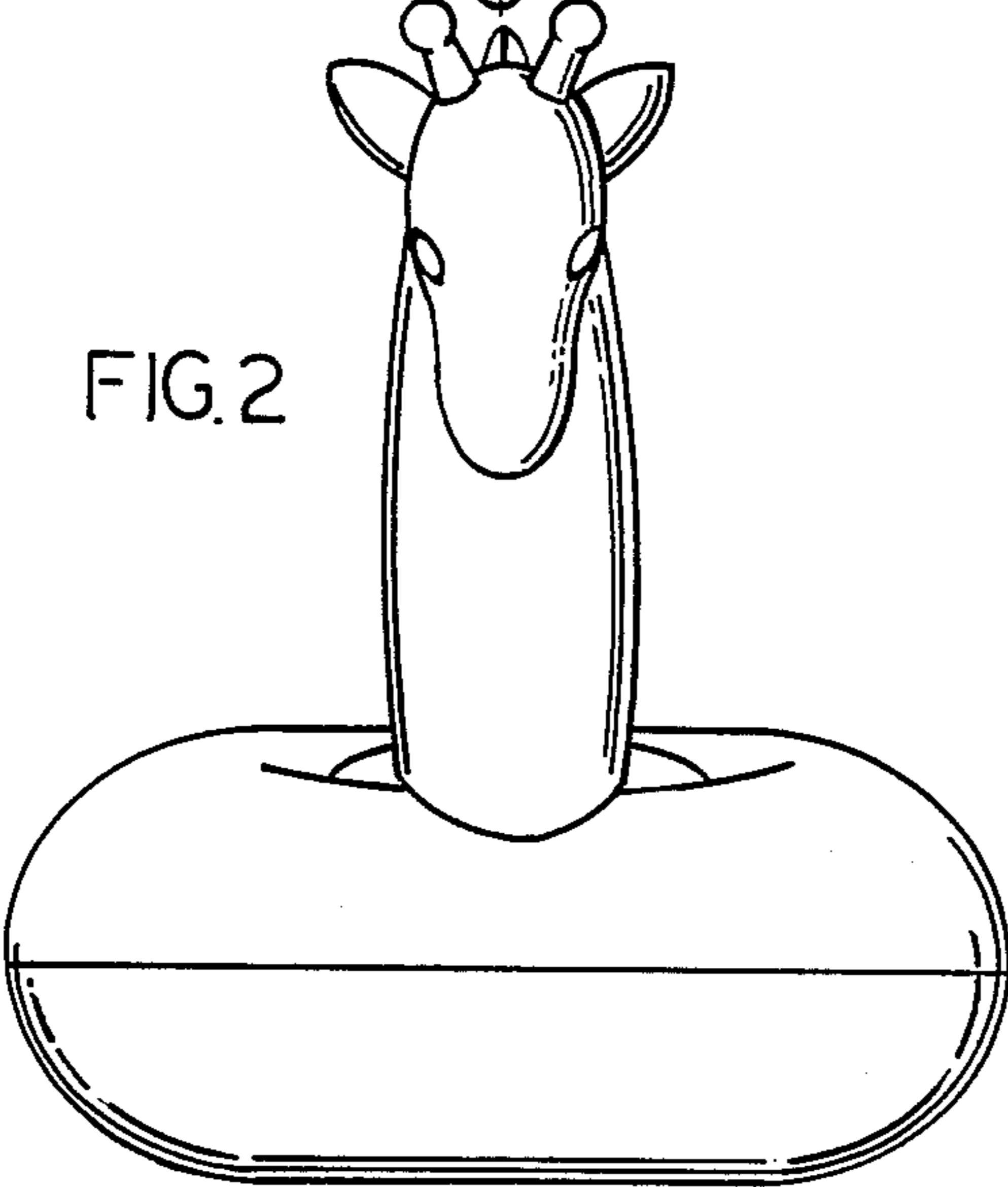


FIG. 3

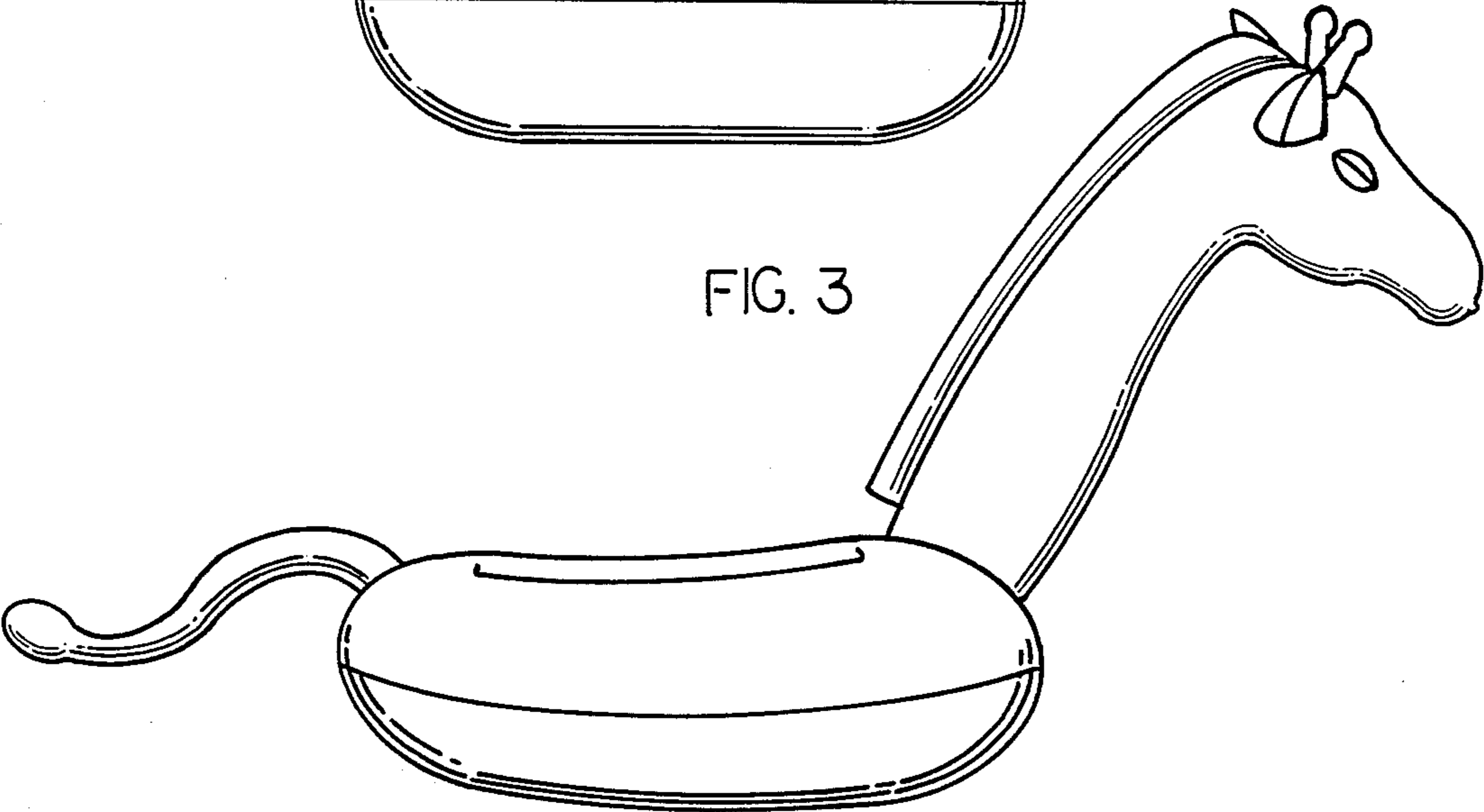


FIG. 4

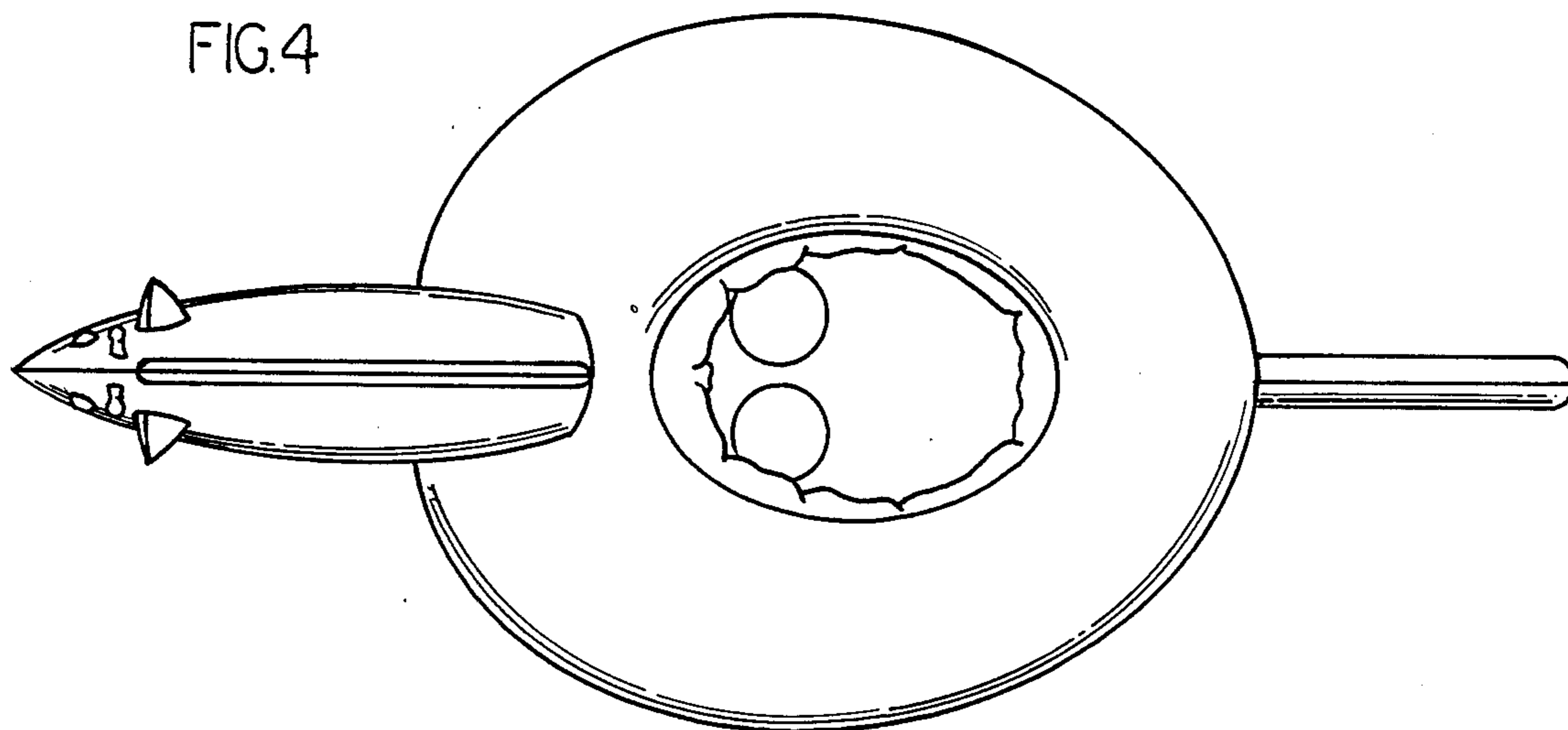


FIG. 5

