

[54] **DECORATIVE DIVIDER CAP FOR BOWLING LANES**

[76] **Inventor: Will Heddon, 2000 Dundee Rd., Winter Haven, Fla. 33880**

[**] **Term: 14 Years**

[21] **Appl. No.: 894,766**

[22] **Filed: Aug. 8, 1986**

[52] **U.S. Cl. D21/233; D25/122**

[58] **Field of Search D21/233; 273/51; D25/122, 124, 38, 43, 44**

[56] **References Cited**

U.S. PATENT DOCUMENTS

1,094,109	4/1914	Alpaugh	D25/122
2,301,778	11/1942	Gremp et al.	273/51
3,063,717	11/1962	Le Mieux	273/51

OTHER PUBLICATIONS

1958 Reynolds Metal Co. Cat., Designing with Aluminum Extrusions, p. 4, extrusion in upper left corner.

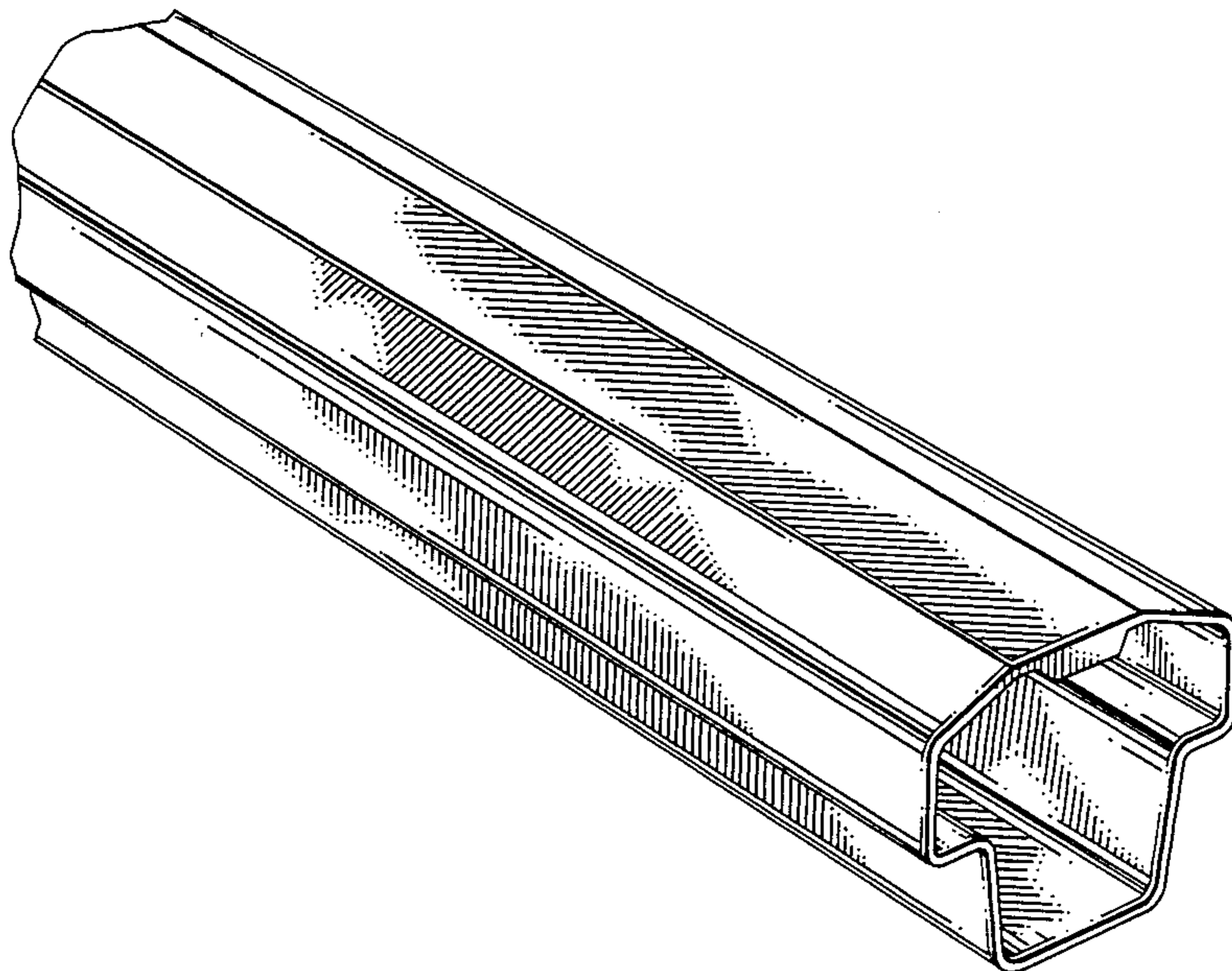
Primary Examiner—Melvin B. Feifer
Attorney, Agent, or Firm—Duckworth, Allen, Dyer & Doppelt

CLAIM

The ornamental design for a decorative divider cap for bowling lanes, as shown and described.

DESCRIPTION

FIG. 1 is a fragmentary front perspective view of a divider cap for bowling lanes showing my new design, the opposite end view being a mirror image thereof; FIG. 2 is an end view; FIG. 3 is a top plan view; FIG. 4 is a side elevation; and, FIG. 5 is a bottom plan view.



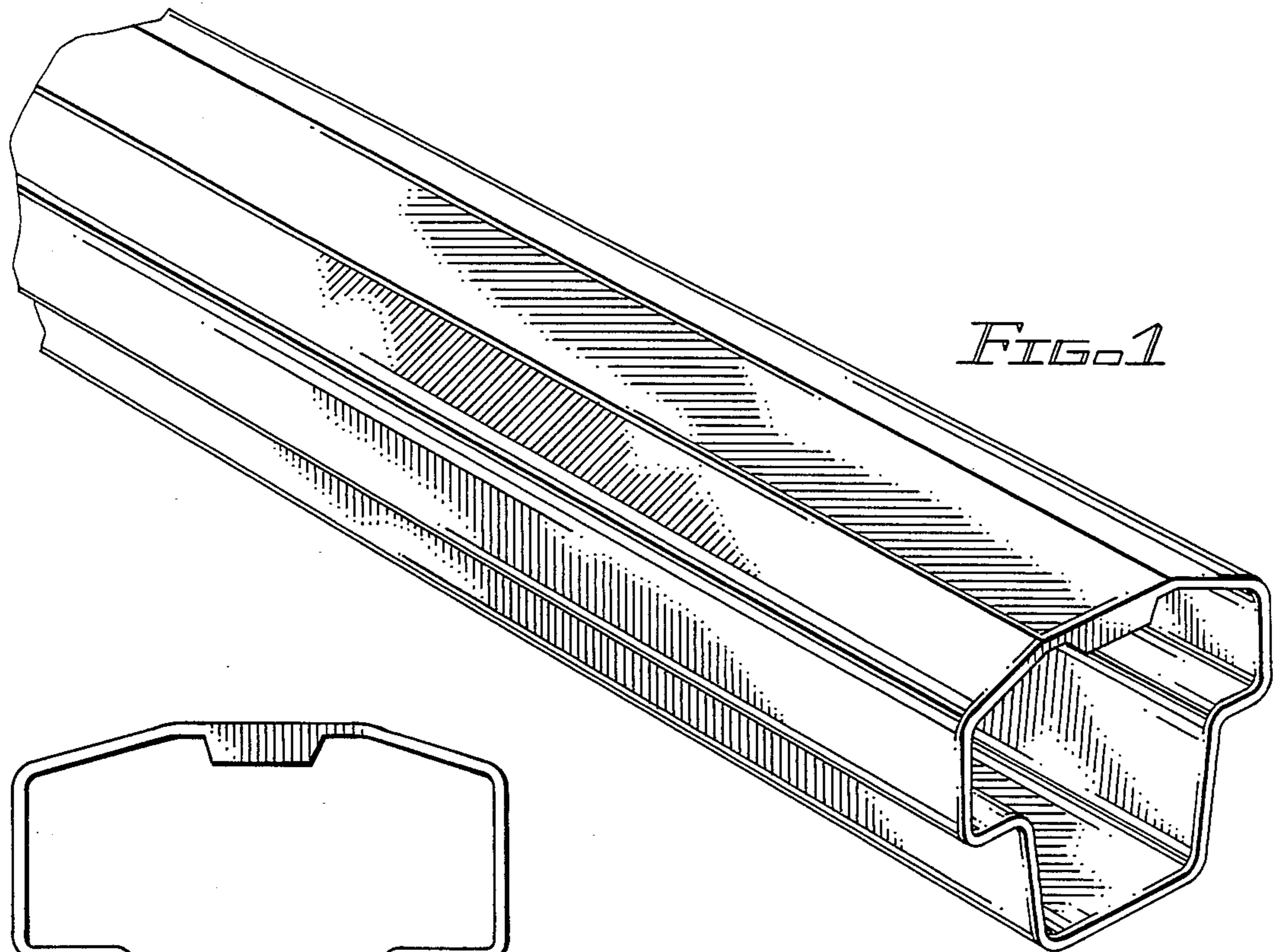


FIG. 1

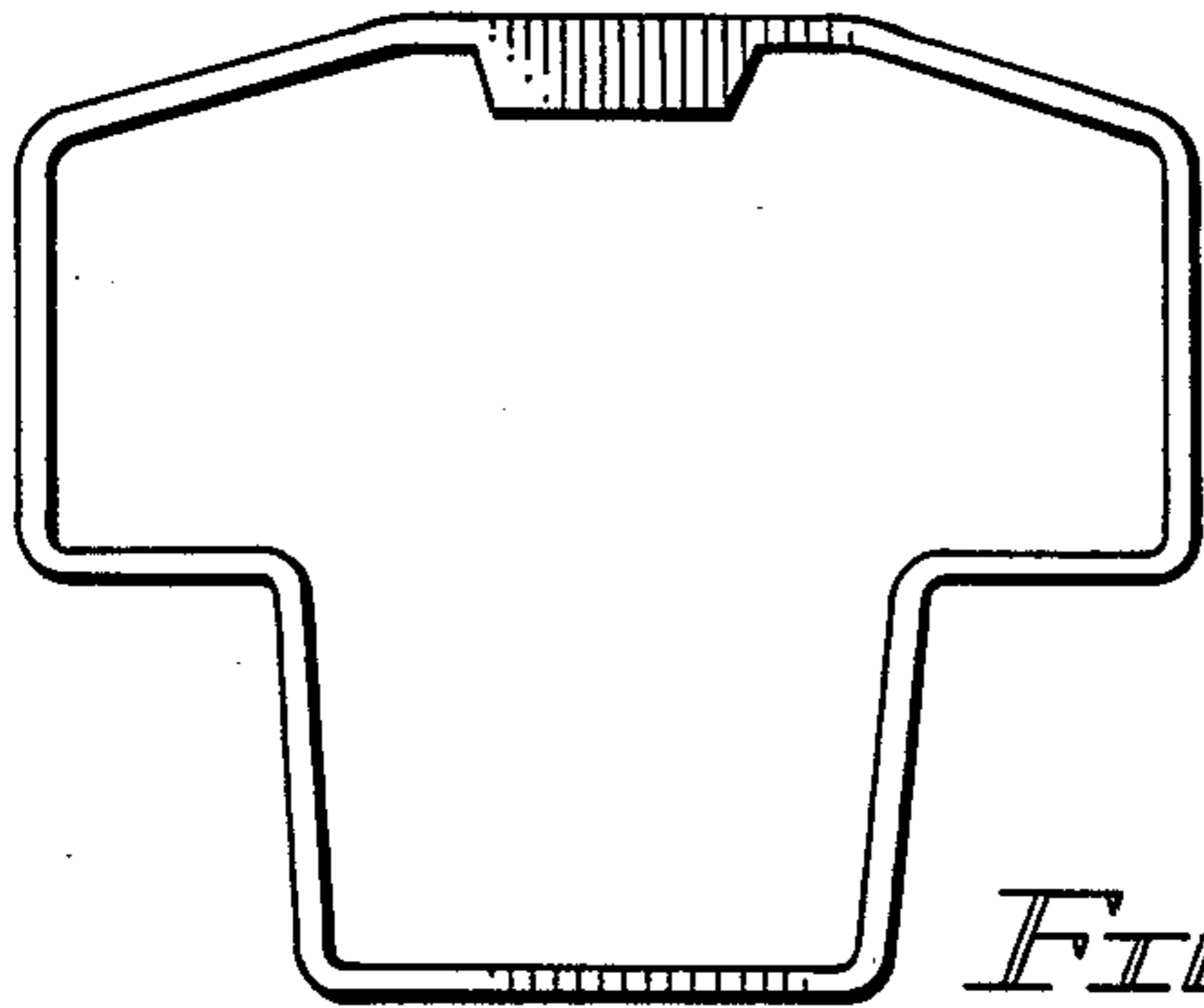


FIG. 2

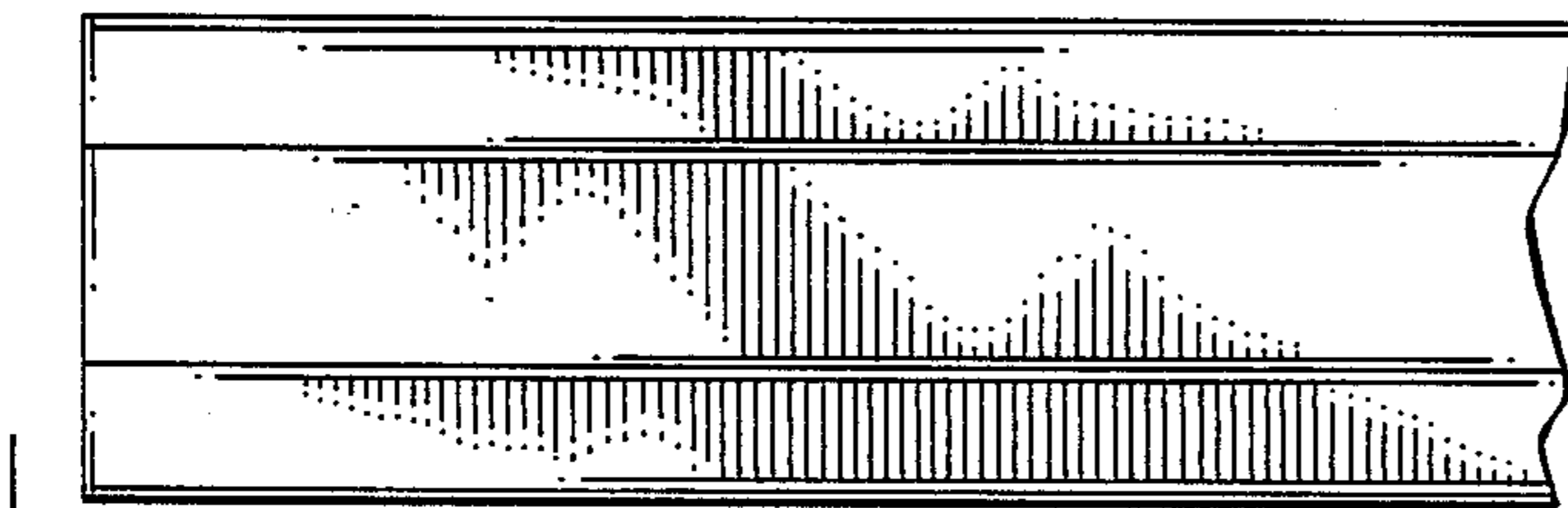


FIG. 3

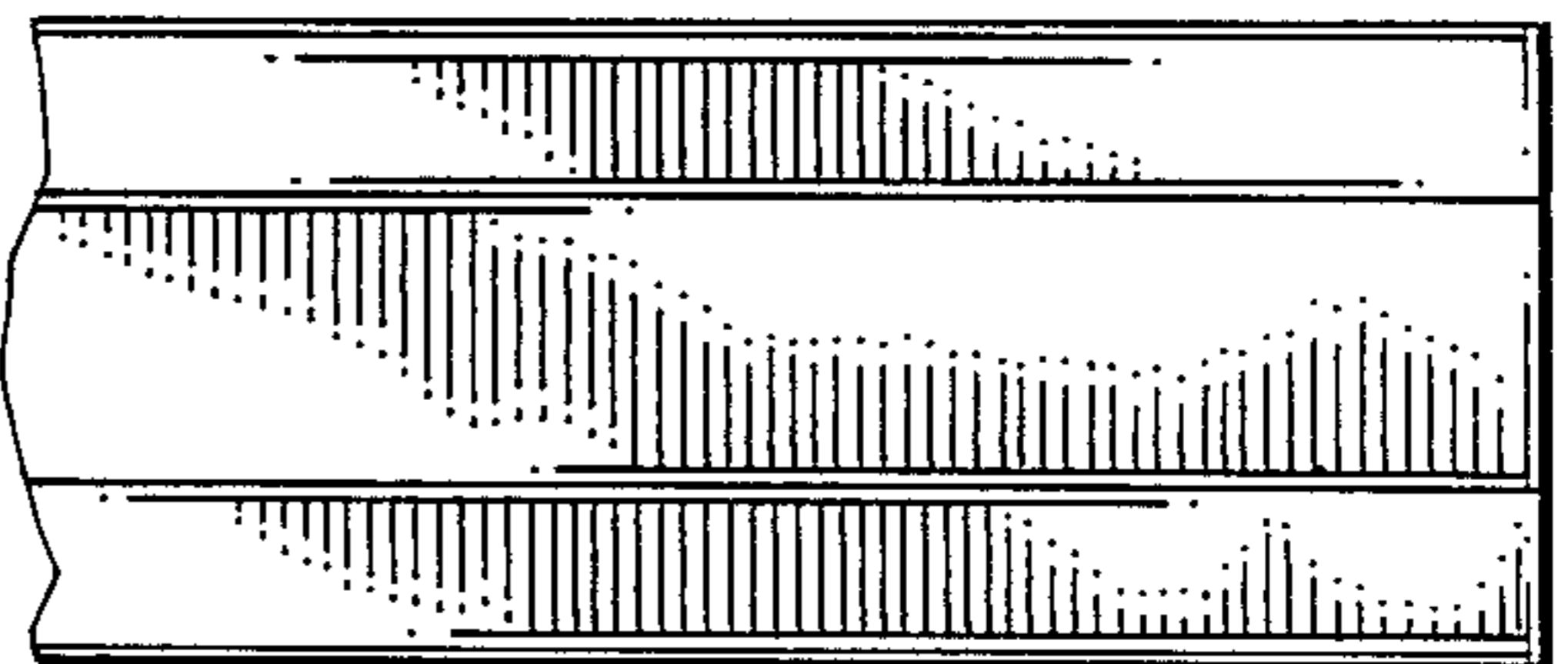


FIG. 4

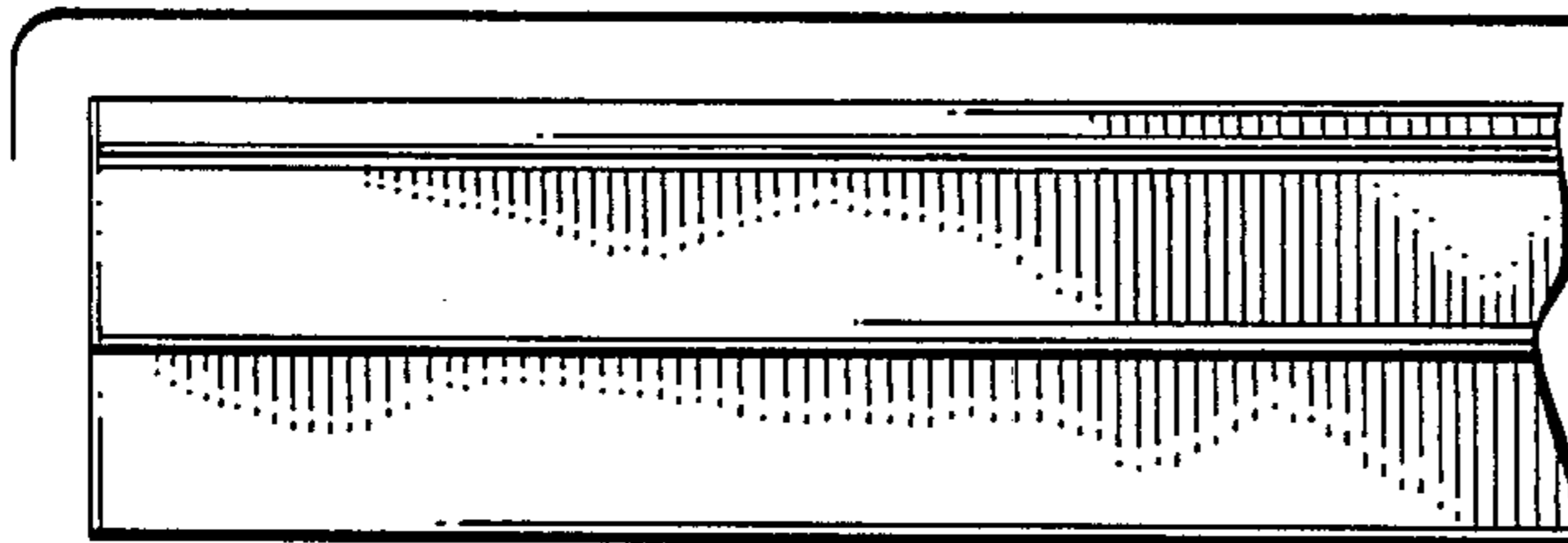


FIG. 5

