

[54] ROLLER SKATE

[75] Inventors: Brennan J. Olson, Eden Prairie; Charles R. Frigard, Deephaven, both of Minn.

[73] Assignee: North American Sports Training Corporation, Minneapolis, Minn.

[**] Term: 14 Years

[21] Appl. No.: 51,713

[22] Filed: May 27, 1987

[52] U.S. Cl. D21/226

[58] Field of Search D21/226; 280/11.1 R, 280/11.19, 11.2, 11.3

[56] References Cited

U.S. PATENT DOCUMENTS

D. 238,286	12/1975	Ochi	D21/226
3,829,111	8/1974	Nicholls	280/11.3
3,900,203	8/1974	Kukulowicz	280/11.2

OTHER PUBLICATIONS

Form, 11-1979, p. 45, Roller Skate at bottom of page, right corner.

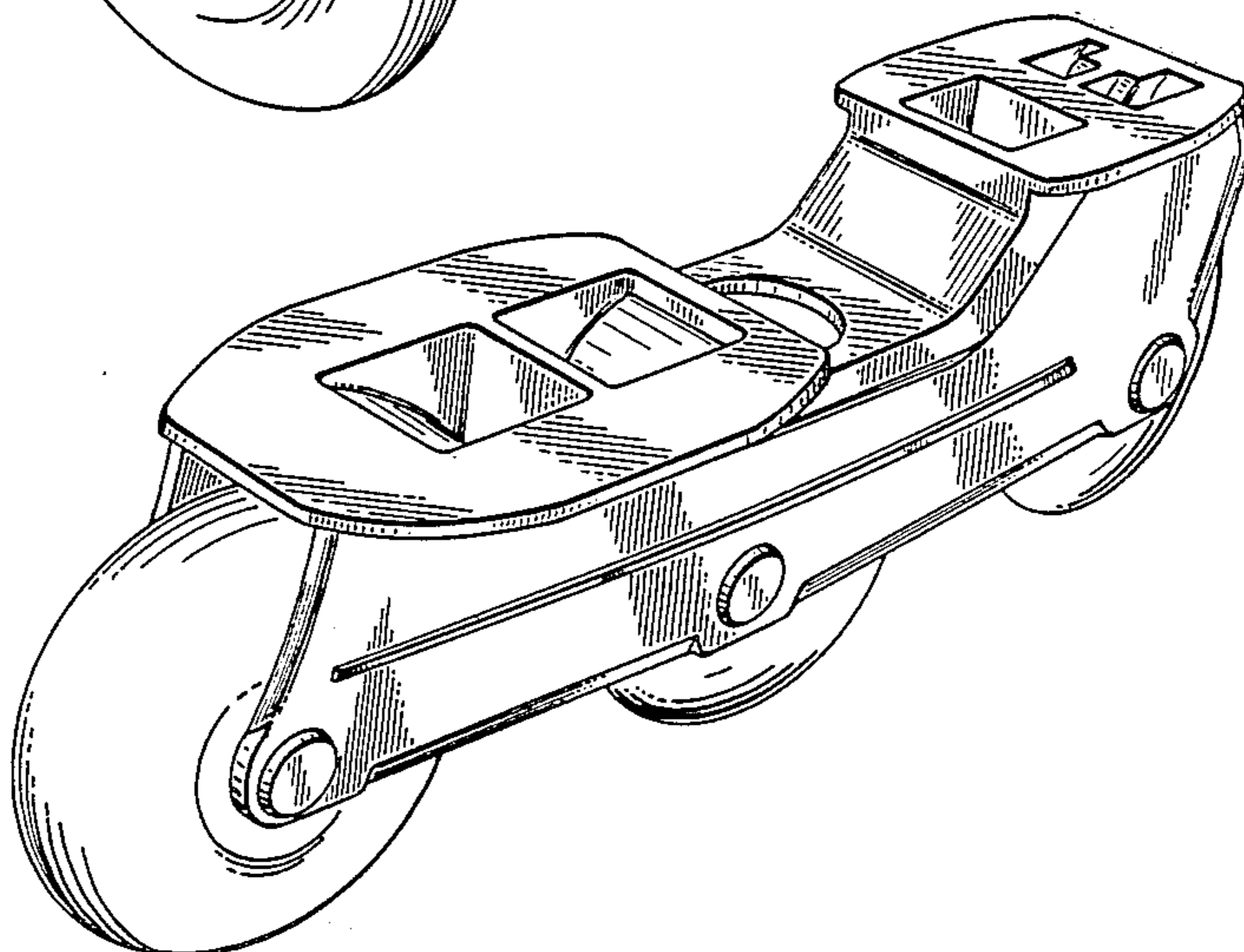
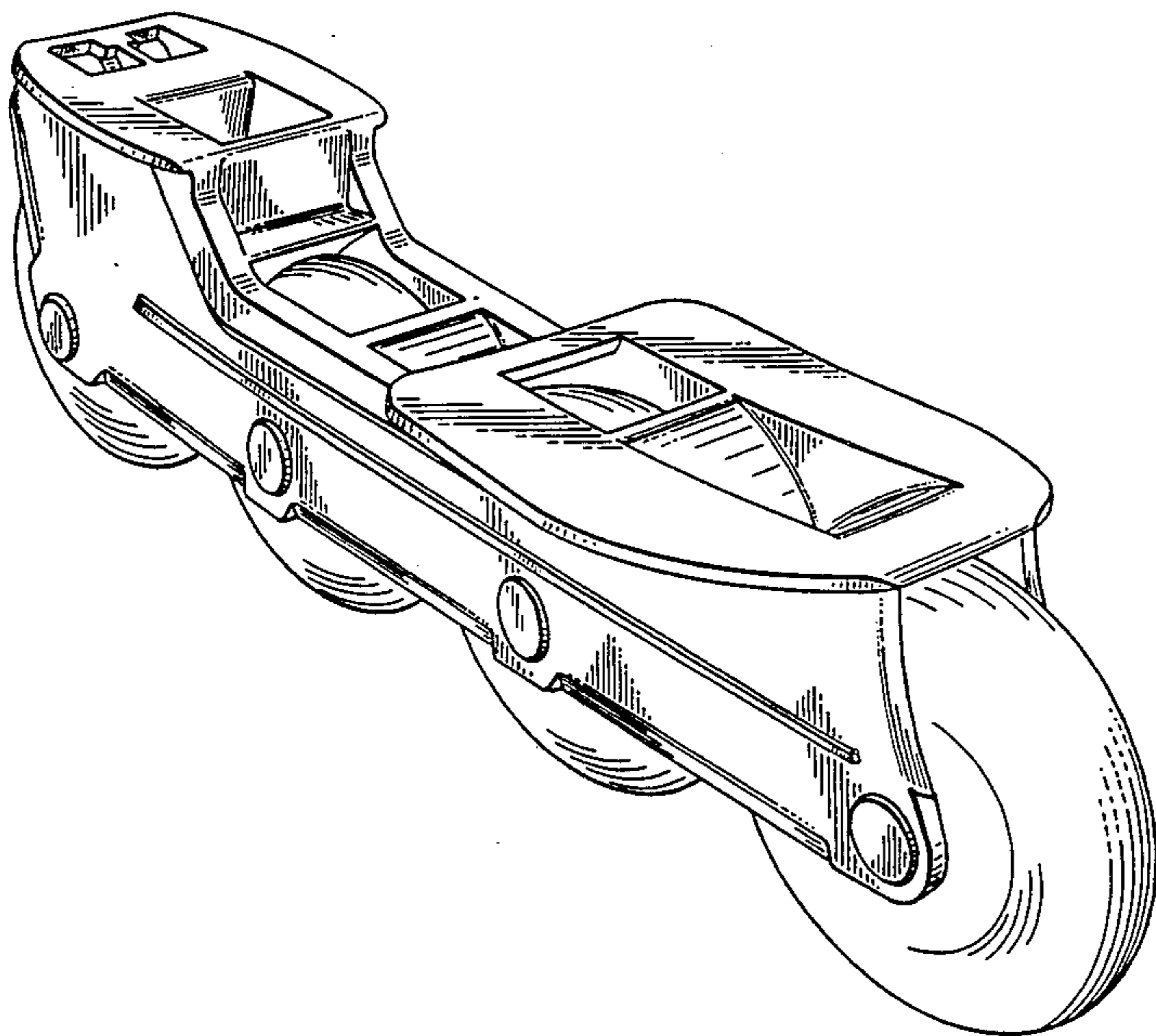
Primary Examiner—Charles A. Rademaker
Attorney, Agent, or Firm—Moore & Hansen

[57] CLAIM

The ornamental design for roller skate, as shown and described.

DESCRIPTION

FIG. 1 is a perspective view of a roller skate showing our new design;
 FIG. 2 is a side elevational view thereof, the side opposite being a mirror image;
 FIG. 3 is a top plan view thereof;
 FIG. 4 is a bottom plan view thereof;
 FIG. 5 is a front elevational view thereof;
 FIG. 6 is a rear elevational view thereof;
 FIG. 7 is a perspective view of a modified embodiment of the design shown in FIGS. 1 through 6;
 FIG. 8 is a side elevational view thereof, the side opposite being a mirror image;
 FIG. 9 is a top plan view thereof; and,
 FIG. 10 is a bottom plan view thereof.



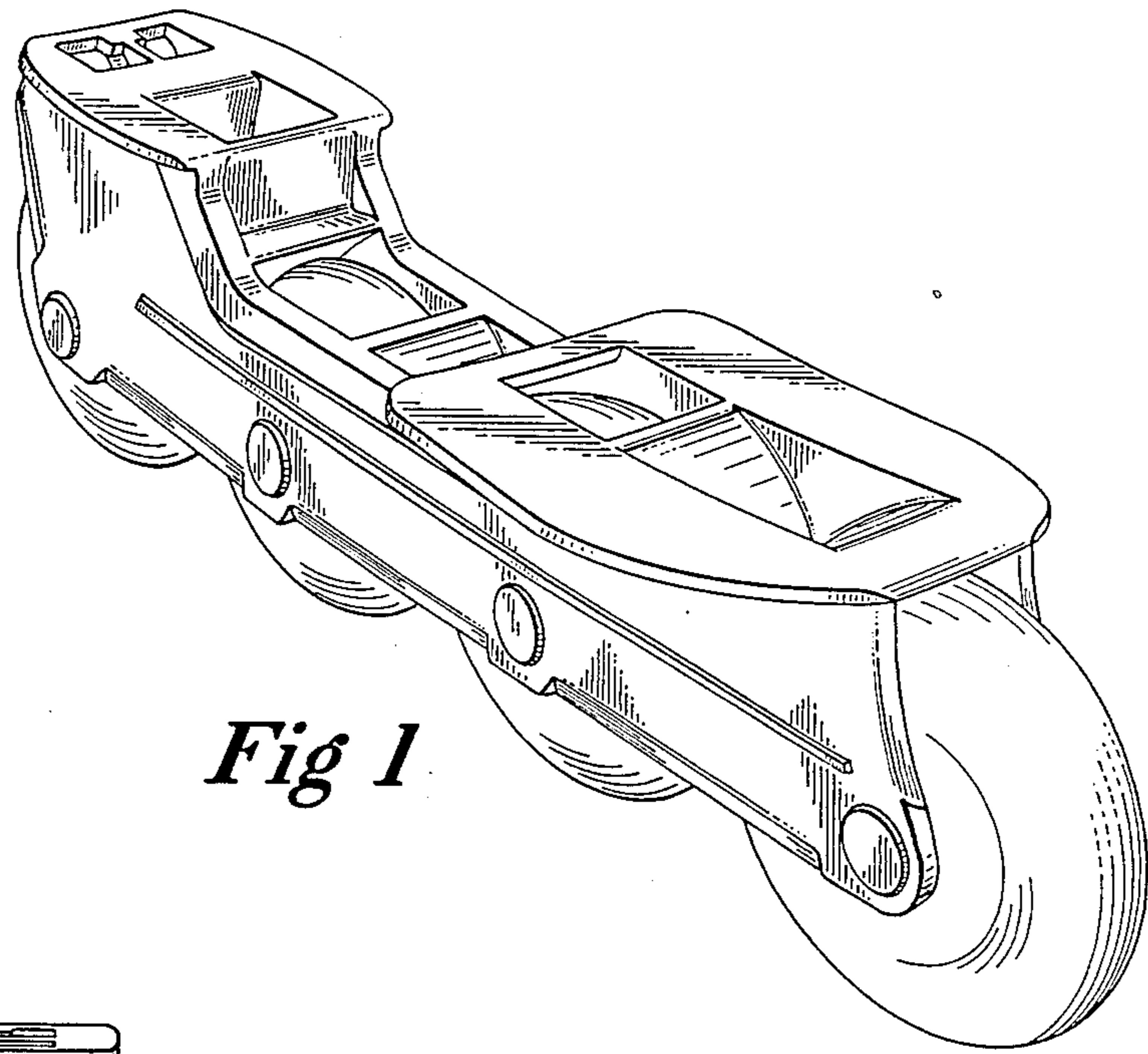


Fig 1

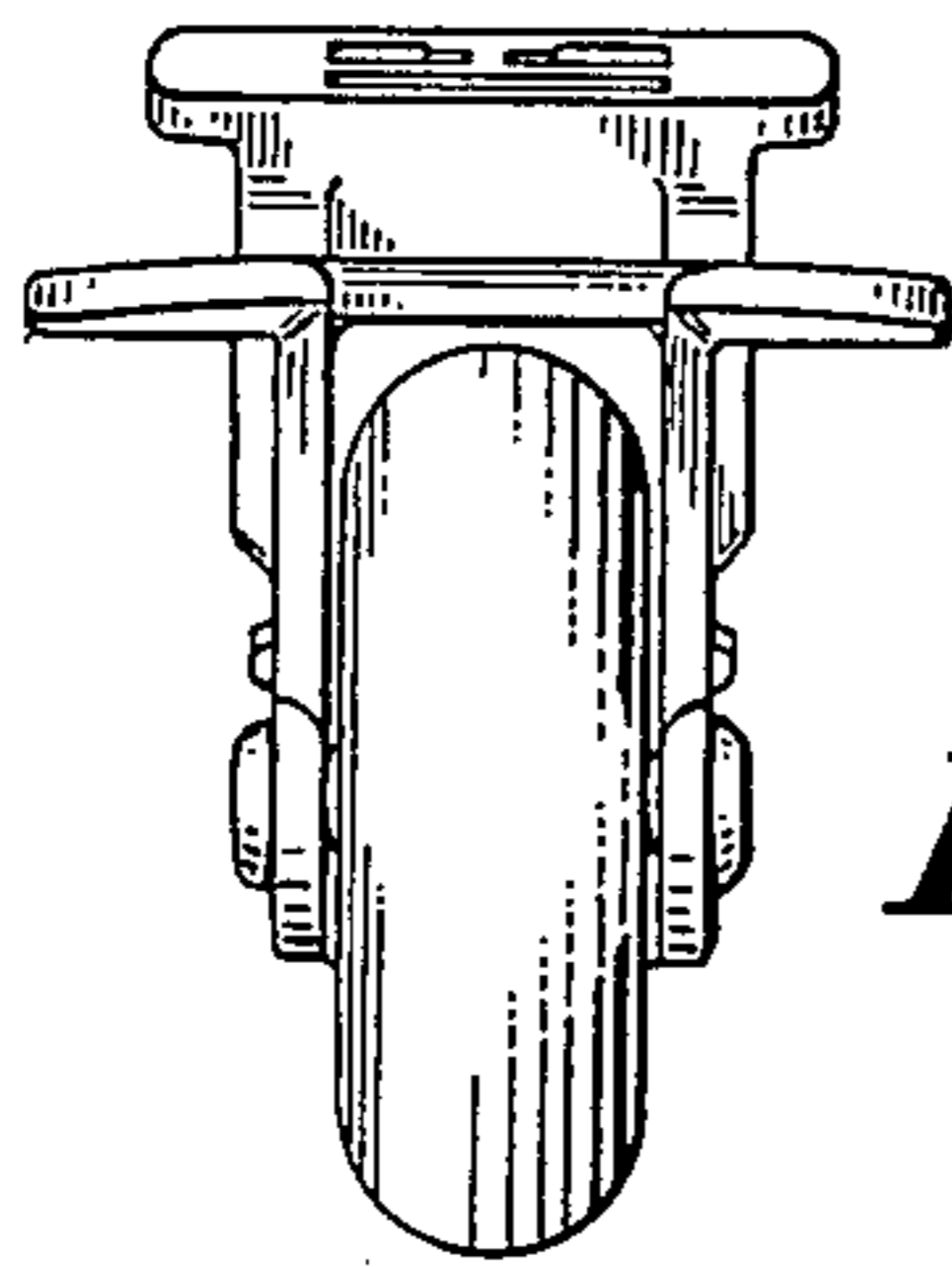


Fig 5

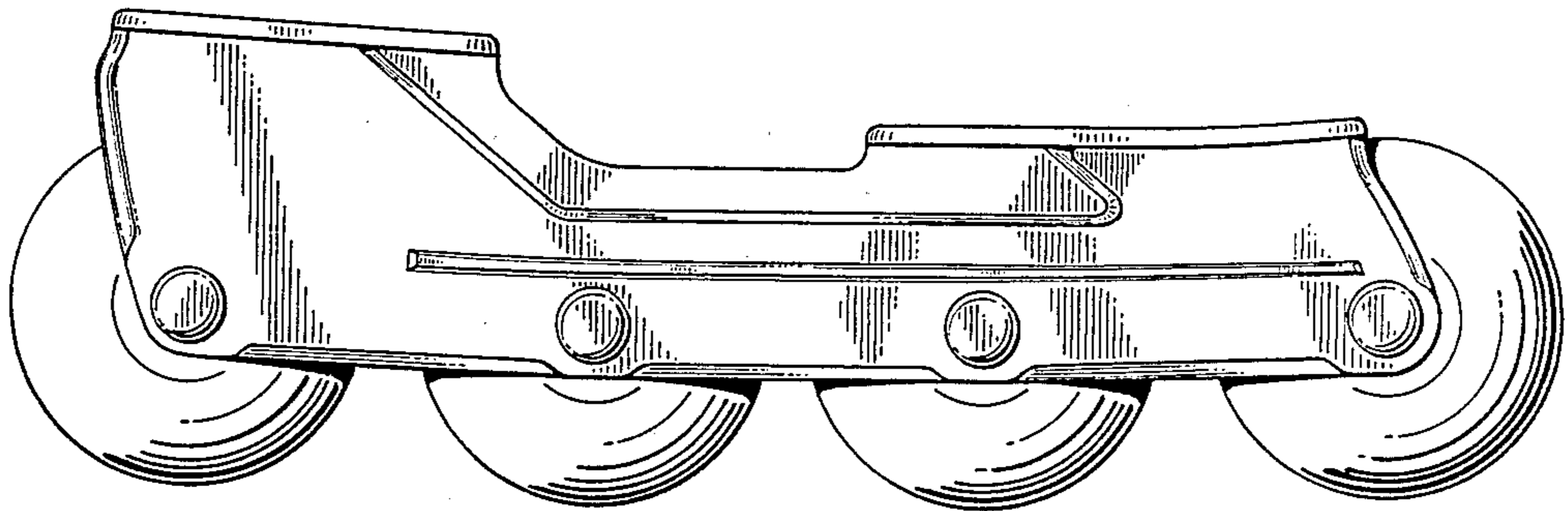


Fig 2

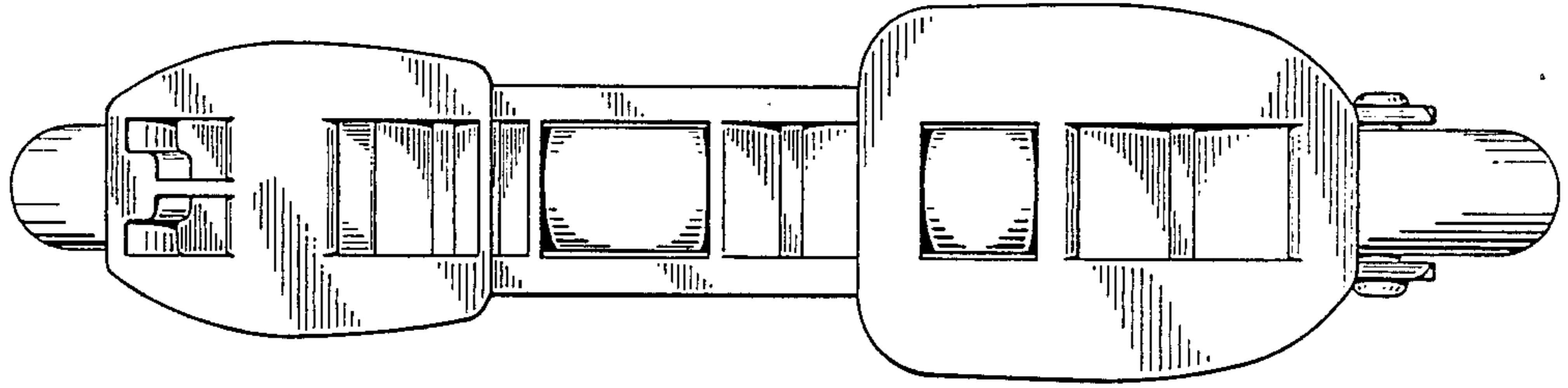


Fig 3

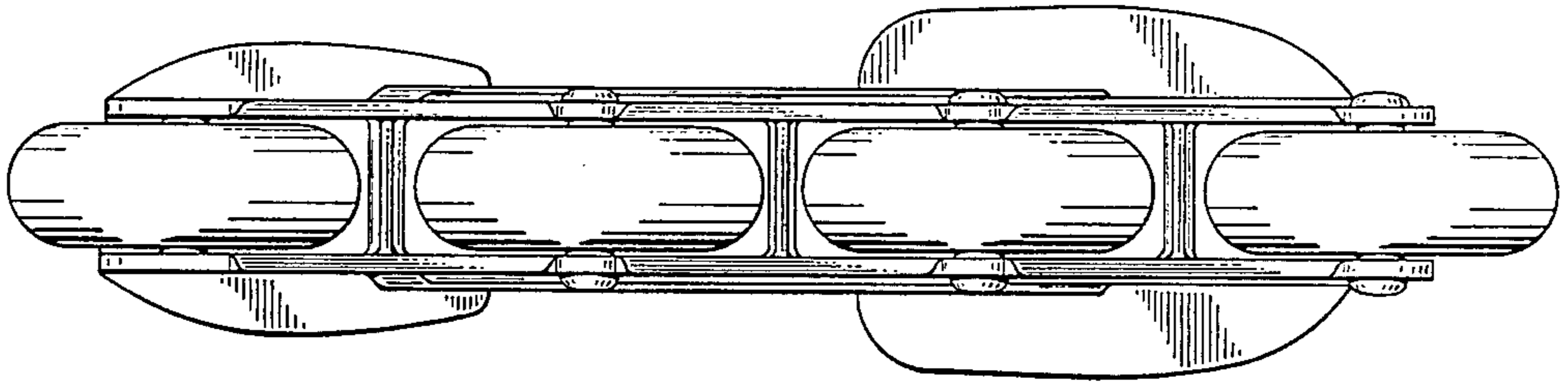


Fig 4

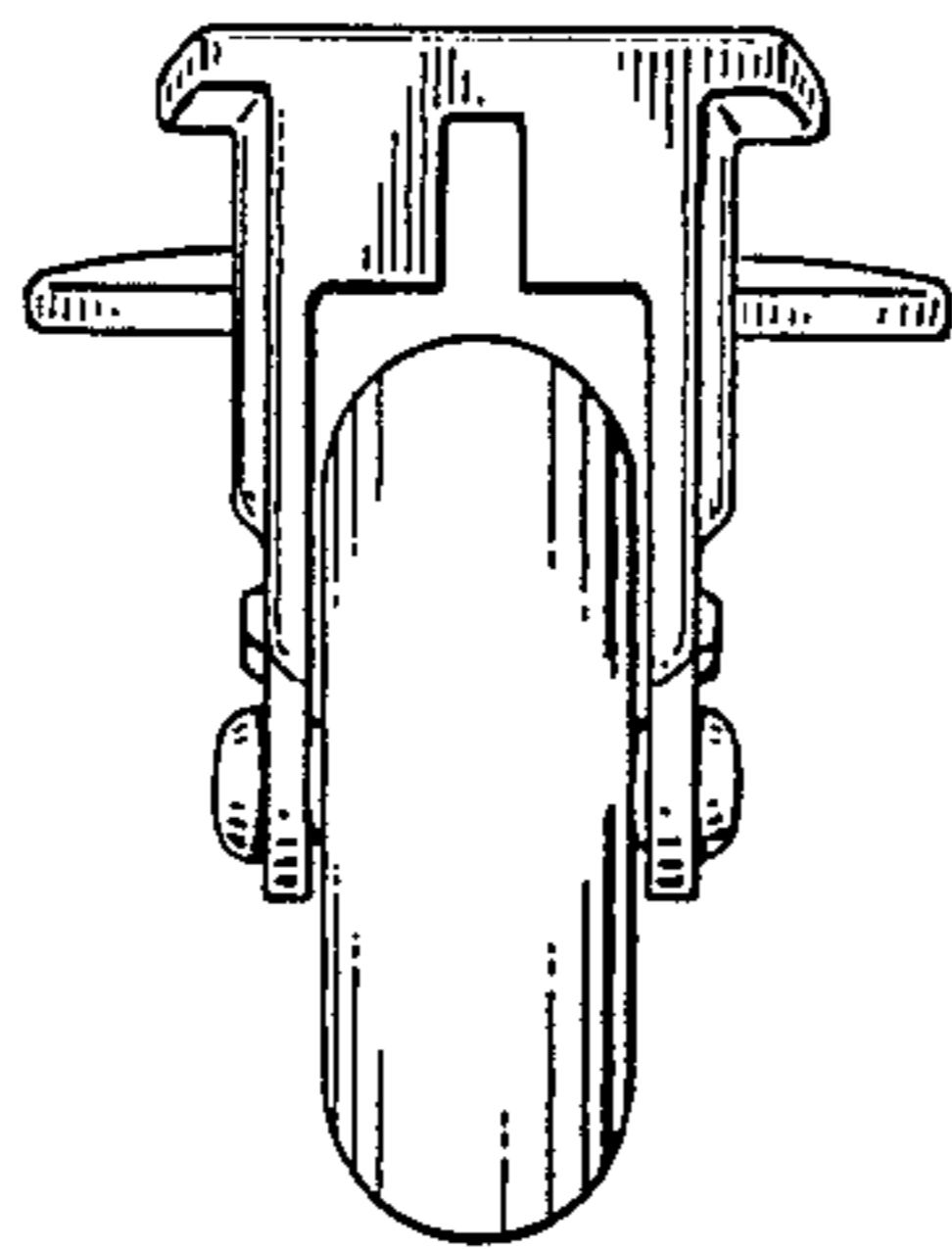


Fig 6

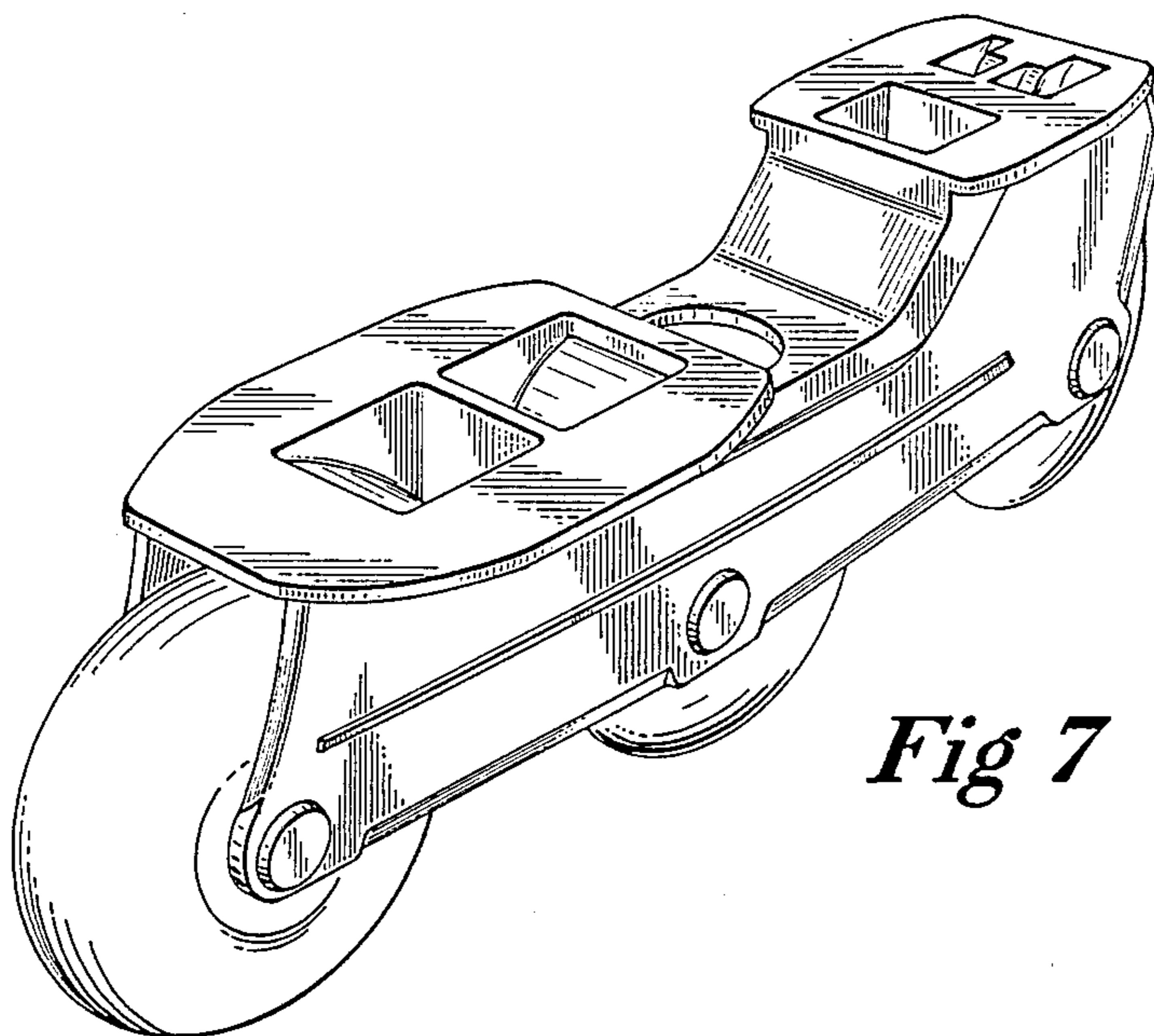


Fig 7

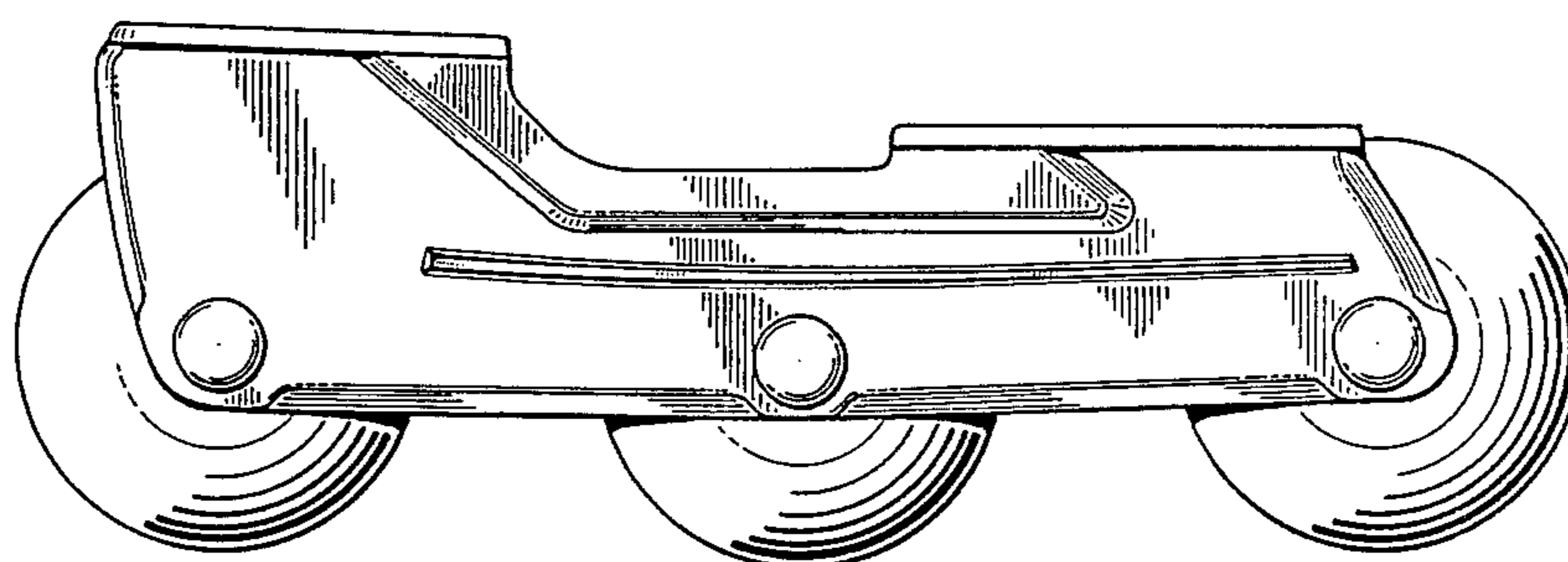


Fig 8

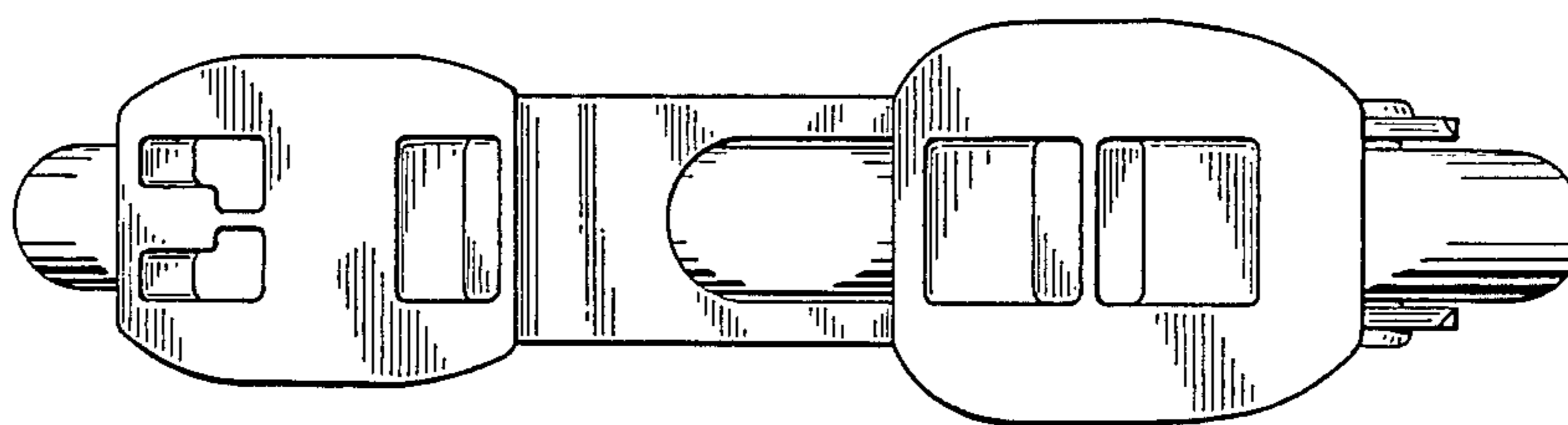


Fig 9

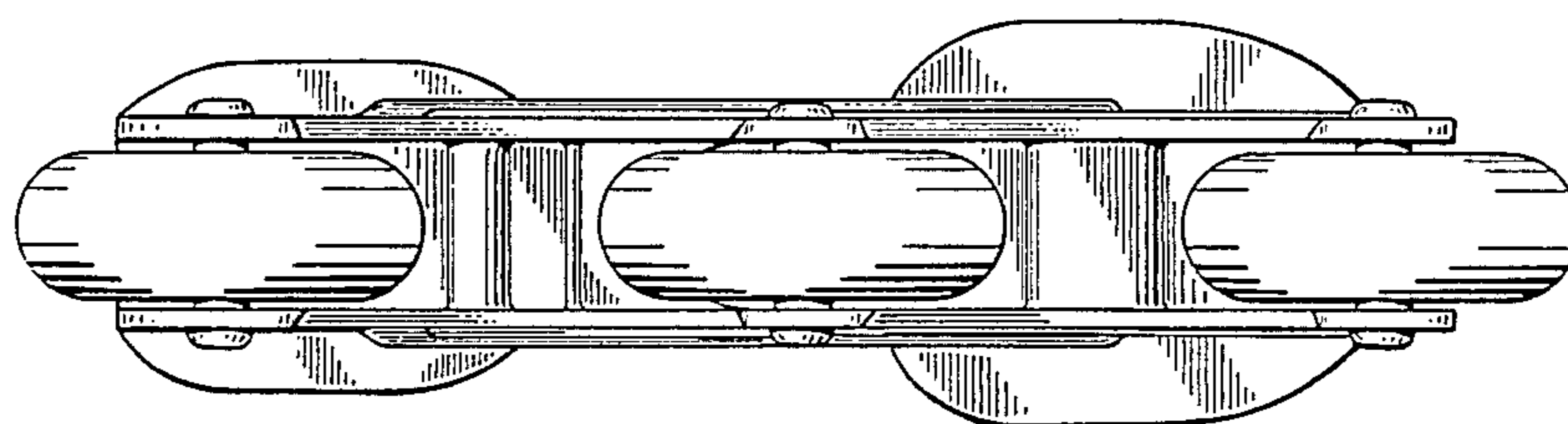


Fig 10