

[54] **RECONFIGURABLE TOY VEHICLE**

[75] **Inventor: Takayoshi Doi, Ichikawa, Japan**

[73] **Assignee: Takara Co., Ltd., Tokyo, Japan**

[**] **Term: 14 Years**

[21] **Appl. No.: 947,536**

[22] **Filed: Dec. 29, 1986**

[30] **Foreign Application Priority Data**

Nov. 5, 1986 [JP] Japan 61-43674
[52] **U.S. Cl.** **D21/150**
[58] **Field of Search** **D21/128-140,**
D21/150, 166; 446/71-78, 487; D12/82, 86, 89,
90

[56] **References Cited**

U.S. PATENT DOCUMENTS

D. 246,613 12/1977 Ogawa D21/137
D. 279,592 7/1985 Ogawa D21/150
D. 285,465 9/1986 Ohno D21/150
D. 296,914 7/1988 Matsumoto D21/136

Primary Examiner—Charles A. Rademaker
Attorney, Agent, or Firm—Price, Gess & Ubell

[57] **CLAIM**

The ornamental design for a reconfigurable toy vehicle, as shown and described.

DESCRIPTION

FIG. 1 is a front perspective view of a reconfigurable toy vehicle showing my new design;
FIG. 2 is a front elevational view thereof;
FIG. 3 is a right side elevational view thereof, the side opposite being a mirror image;
FIG. 4 is a rear elevational view thereof;
FIG. 5 is a top plan view thereof;
FIG. 6 is a bottom plan view thereof;
FIG. 7 is another front perspective view of the design shown in FIGS. 1 through 6 in a humanoid robot configuration;
FIG. 8 is a front elevational view thereof;
FIG. 9 is a right side elevational view thereof, the side opposite being a mirror image;
FIG. 10 is a rear elevational view thereof;
FIG. 11 is a top plan view thereof; and
FIG. 12 is a bottom plan view thereof.

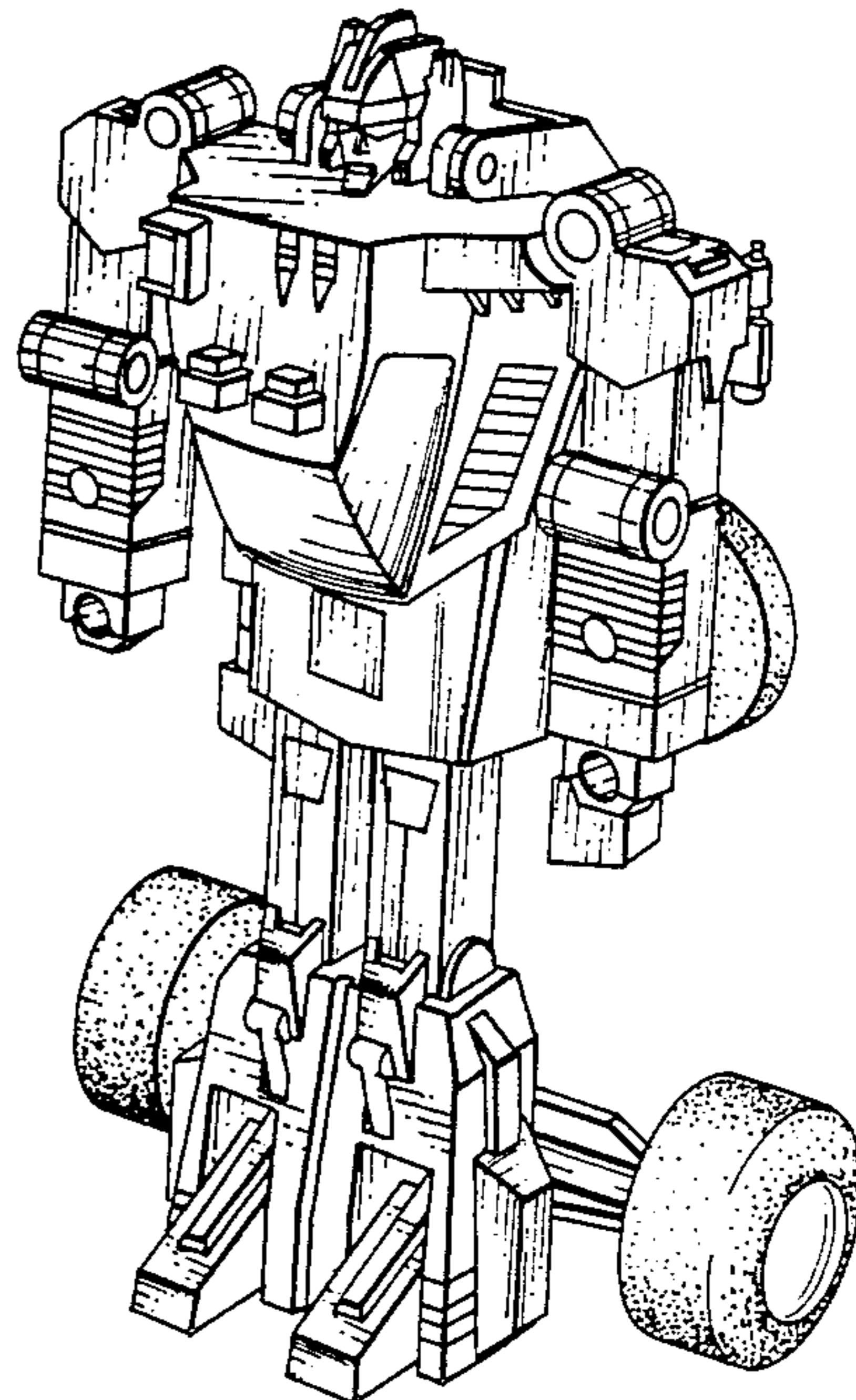
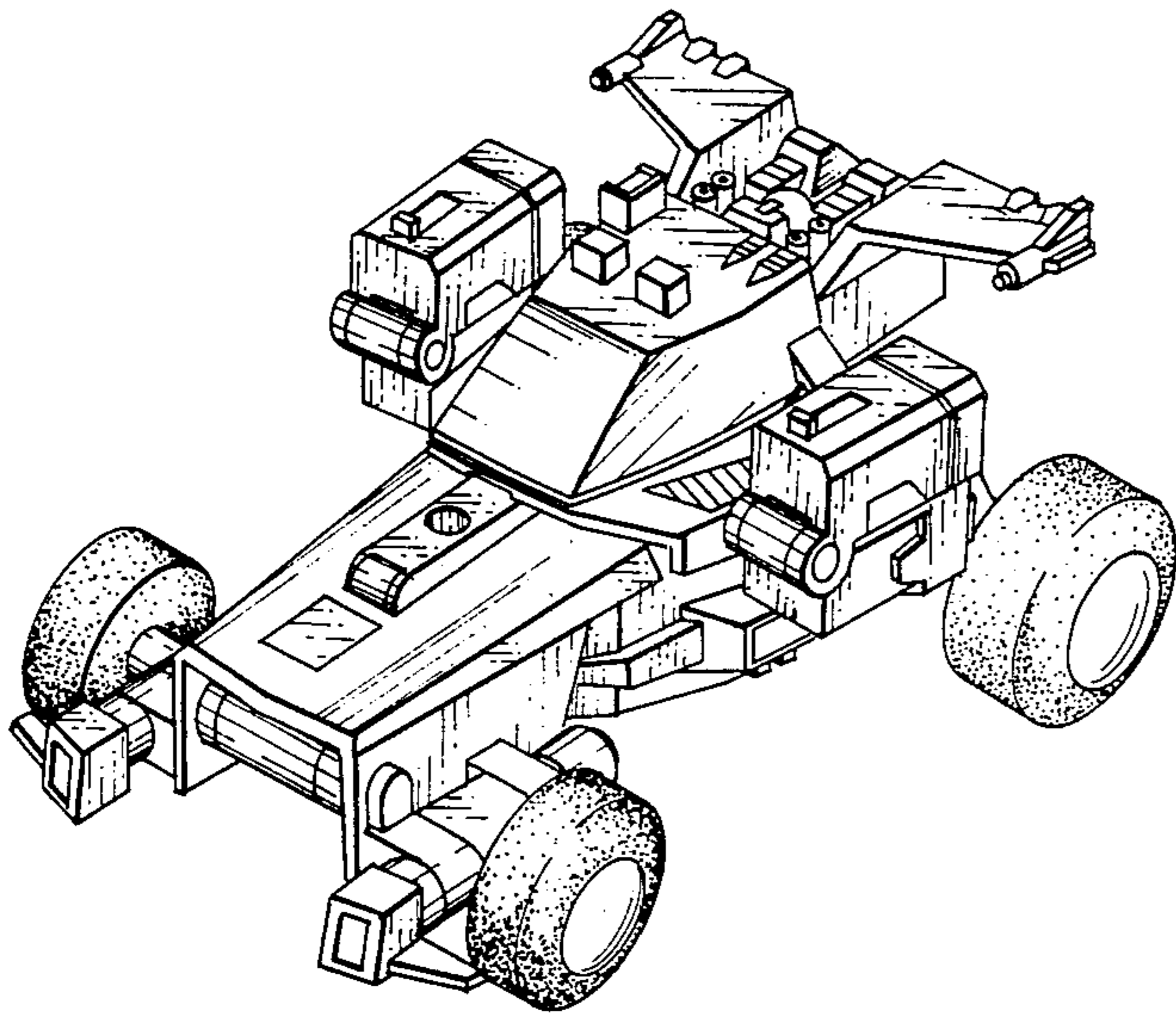


FIG. 2

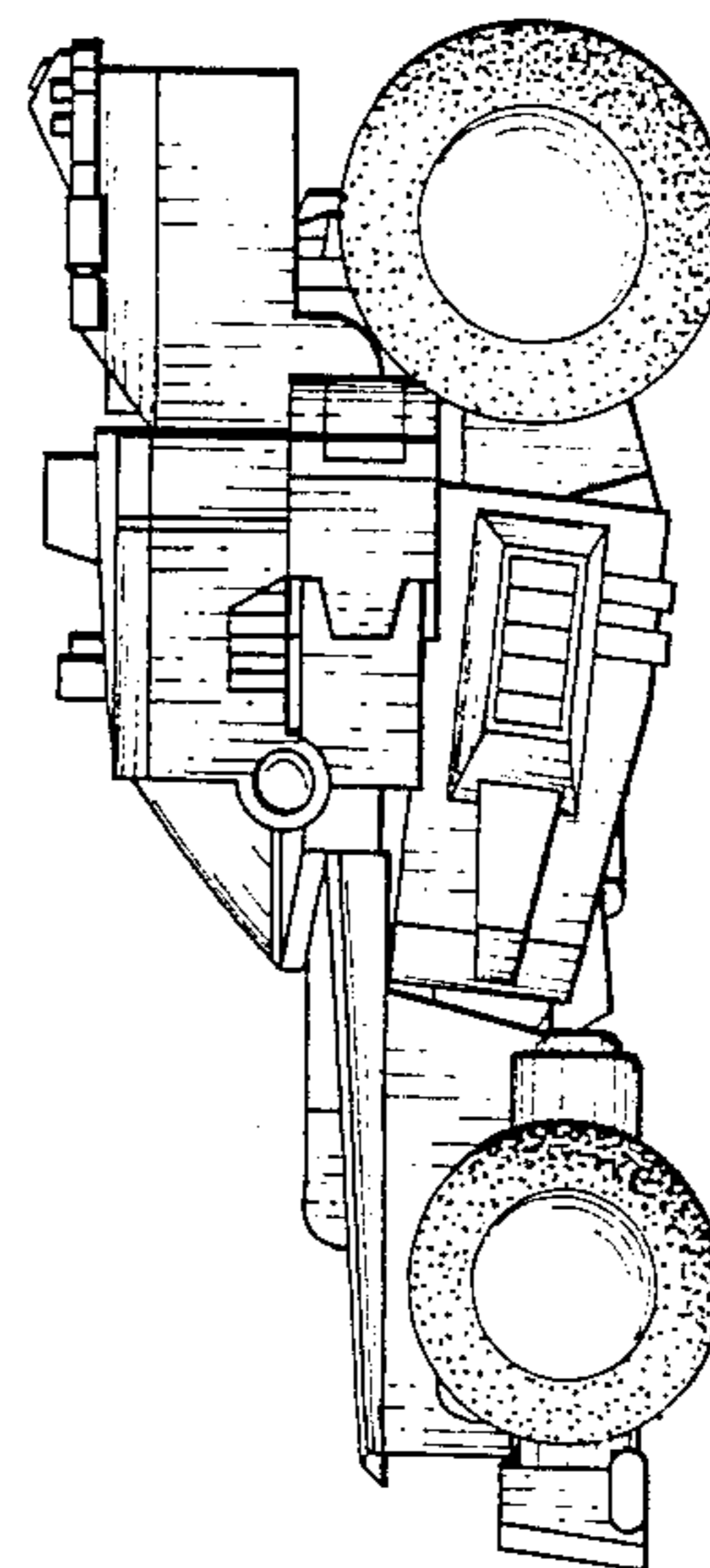
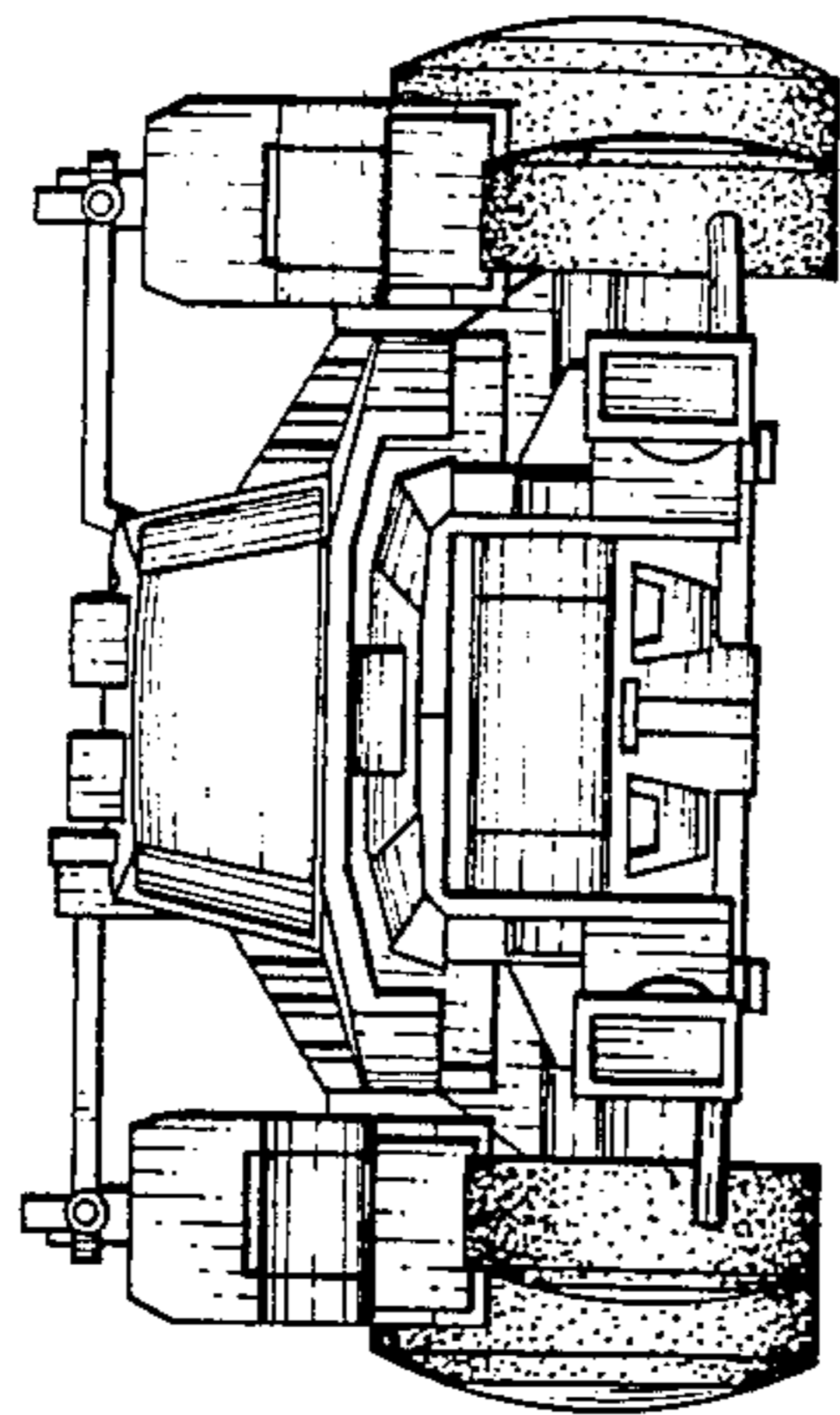


FIG. 1

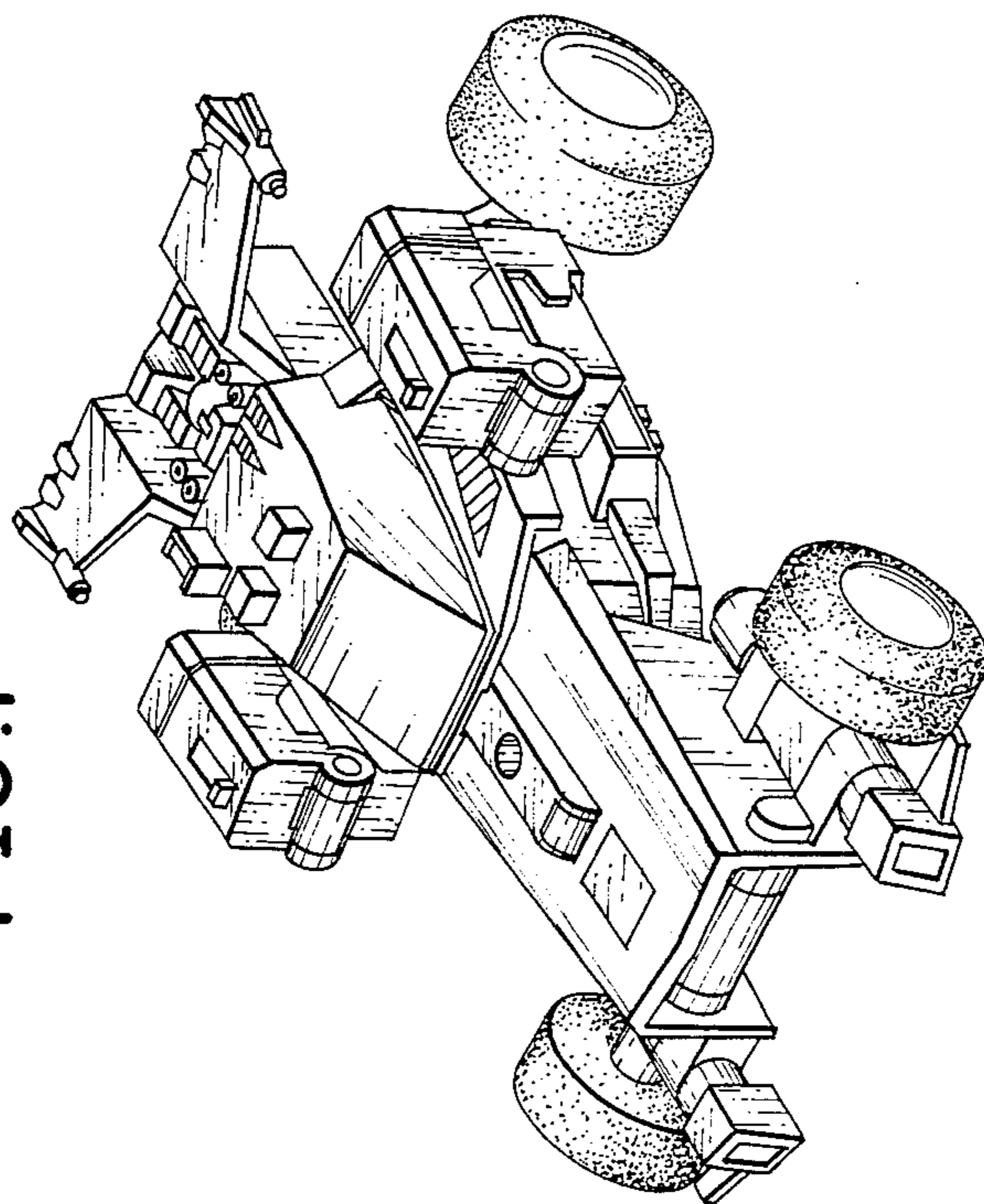


FIG. 3

FIG. 4

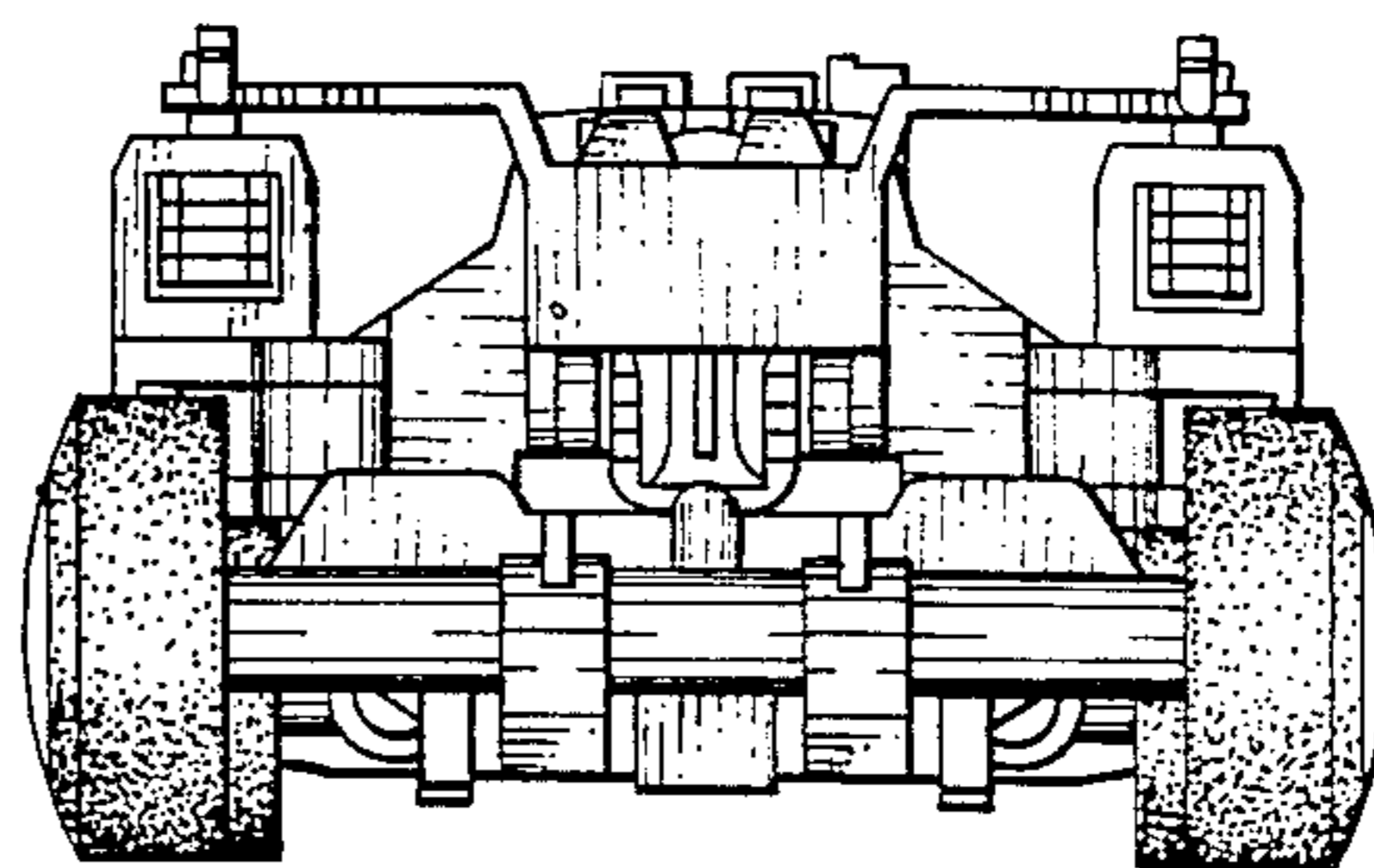


FIG. 5

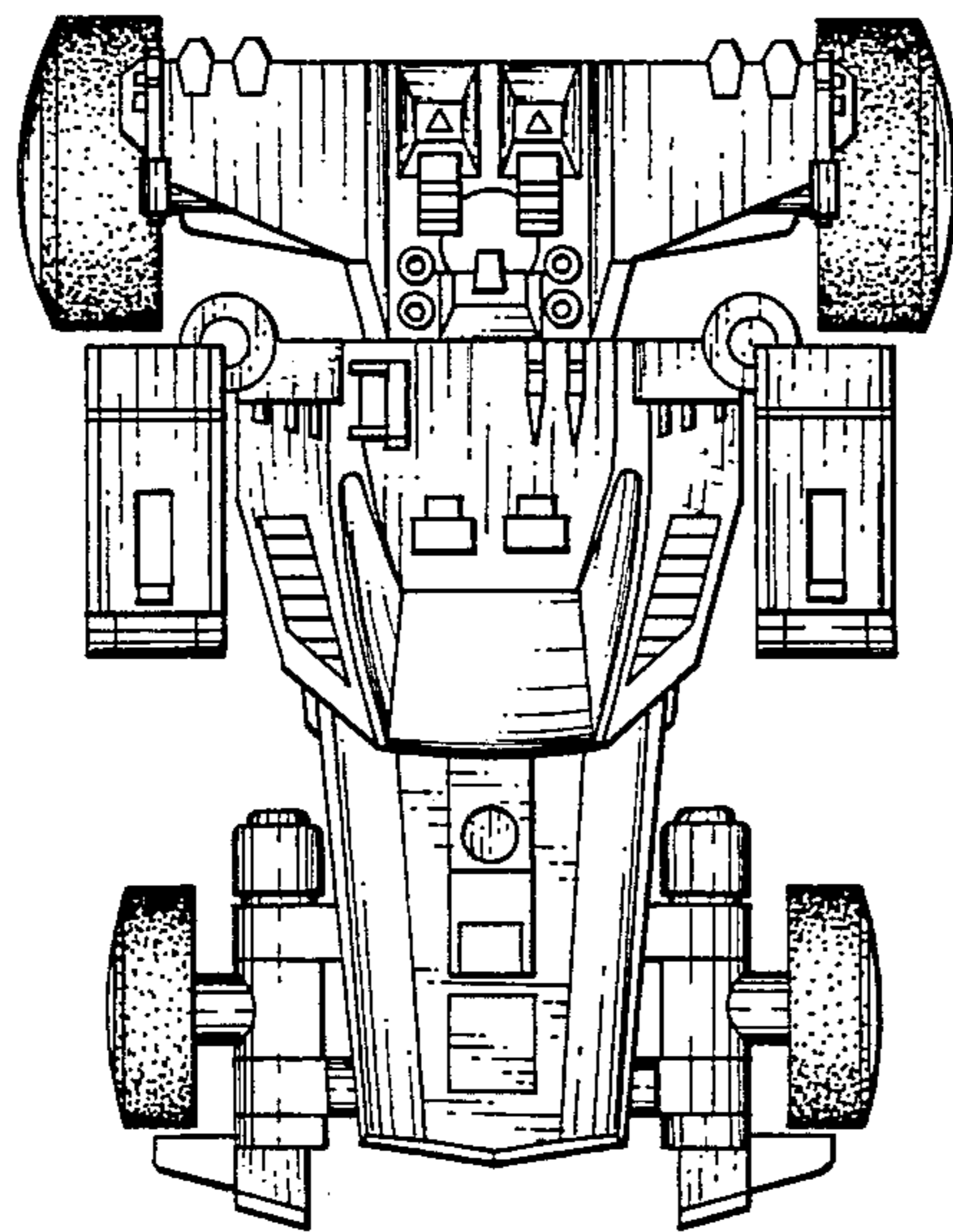


FIG. 6

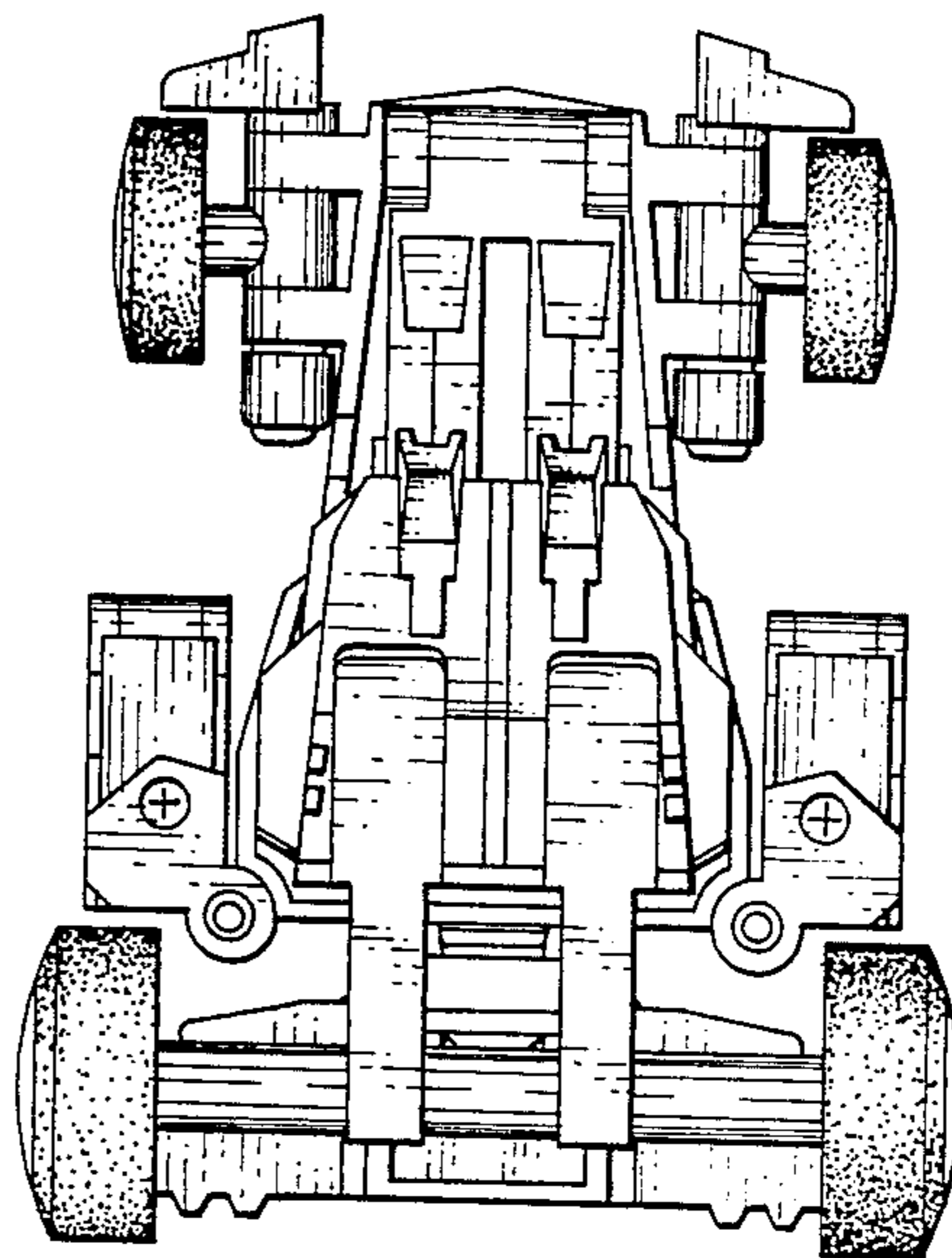


FIG. 8

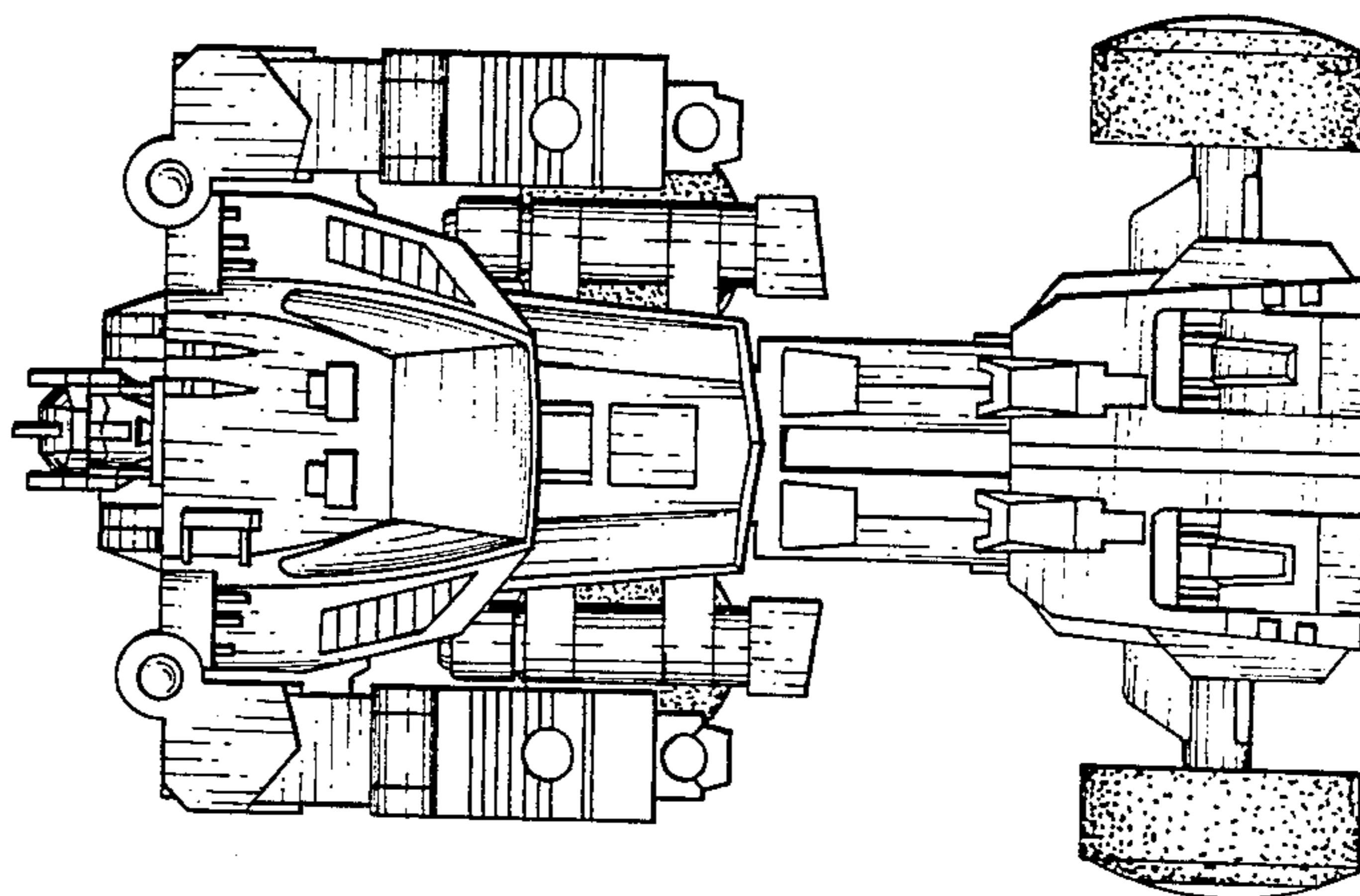


FIG. 7

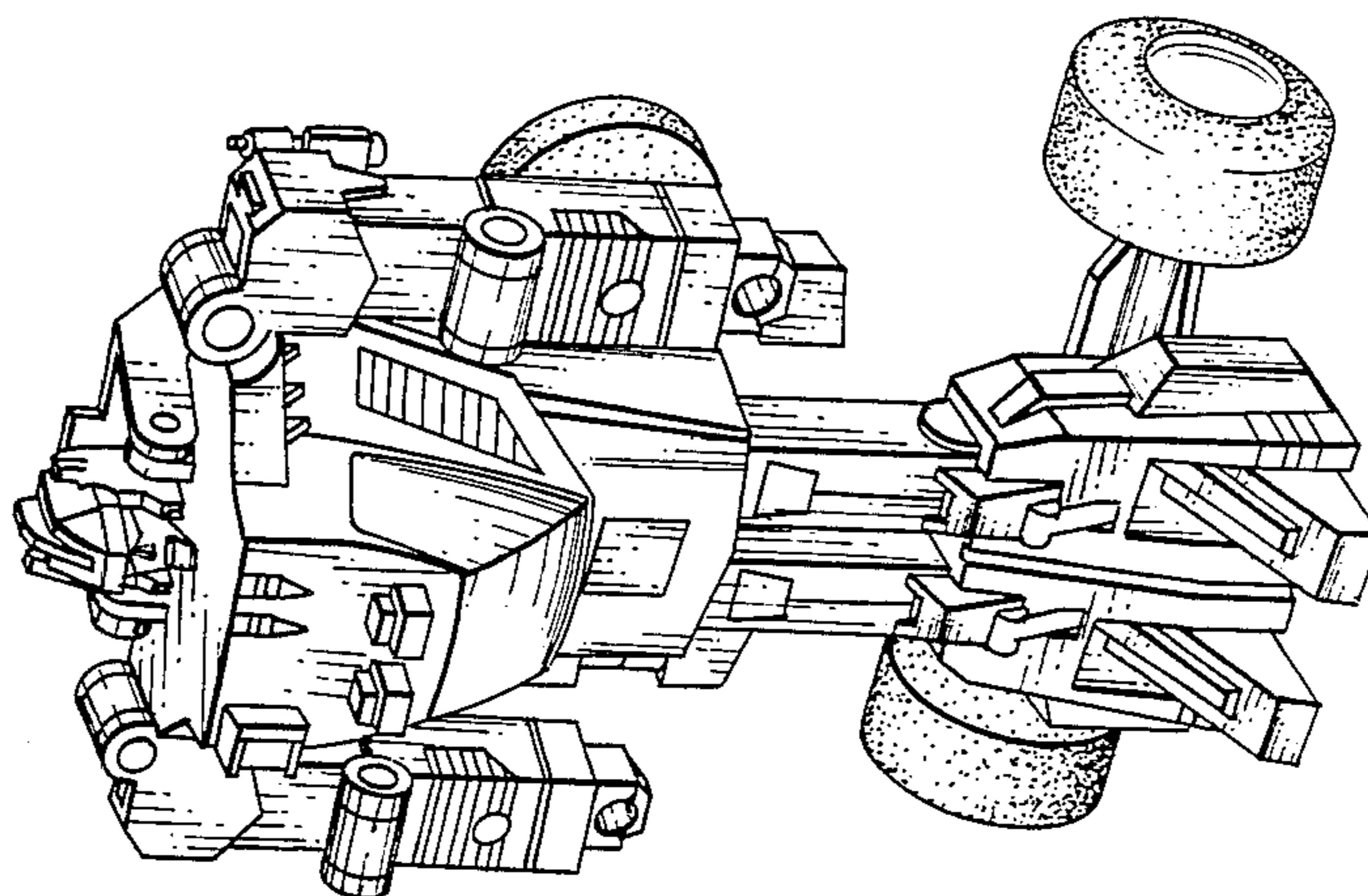


FIG. 9

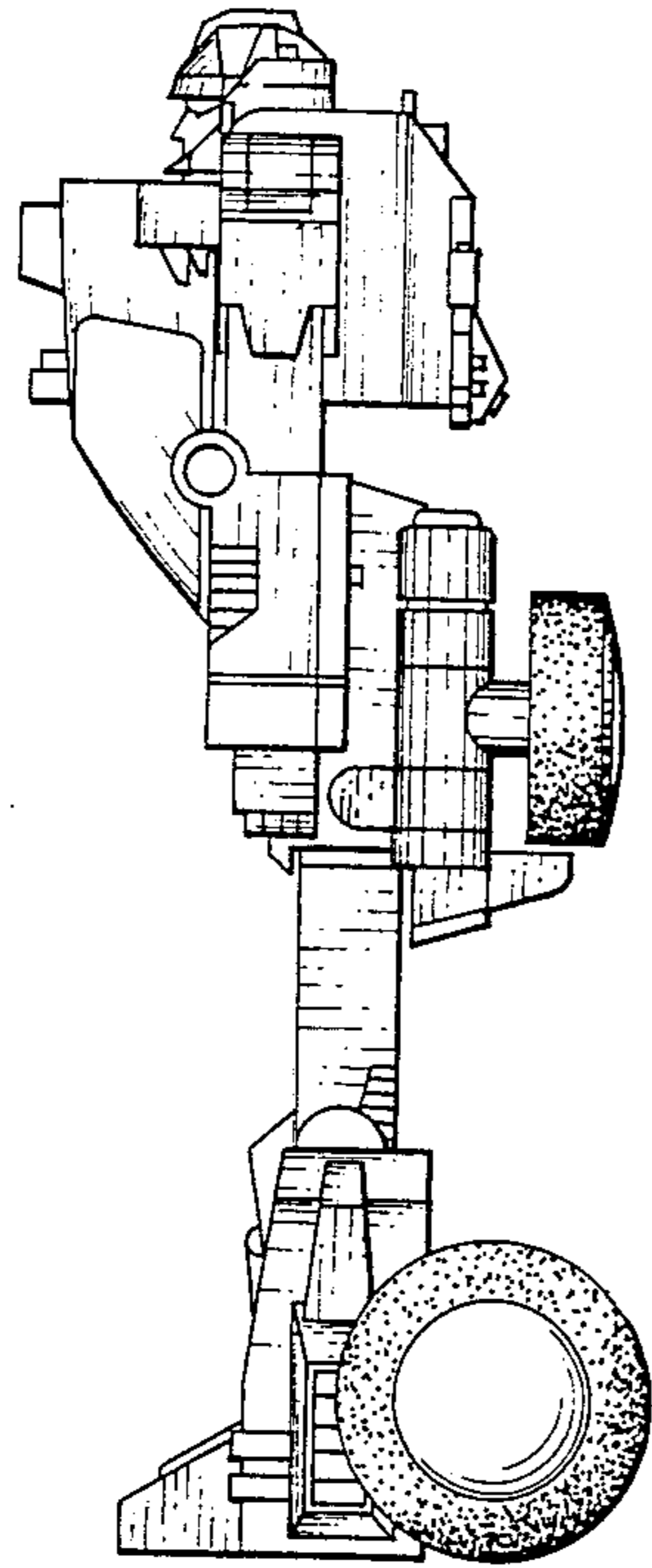


FIG. 10

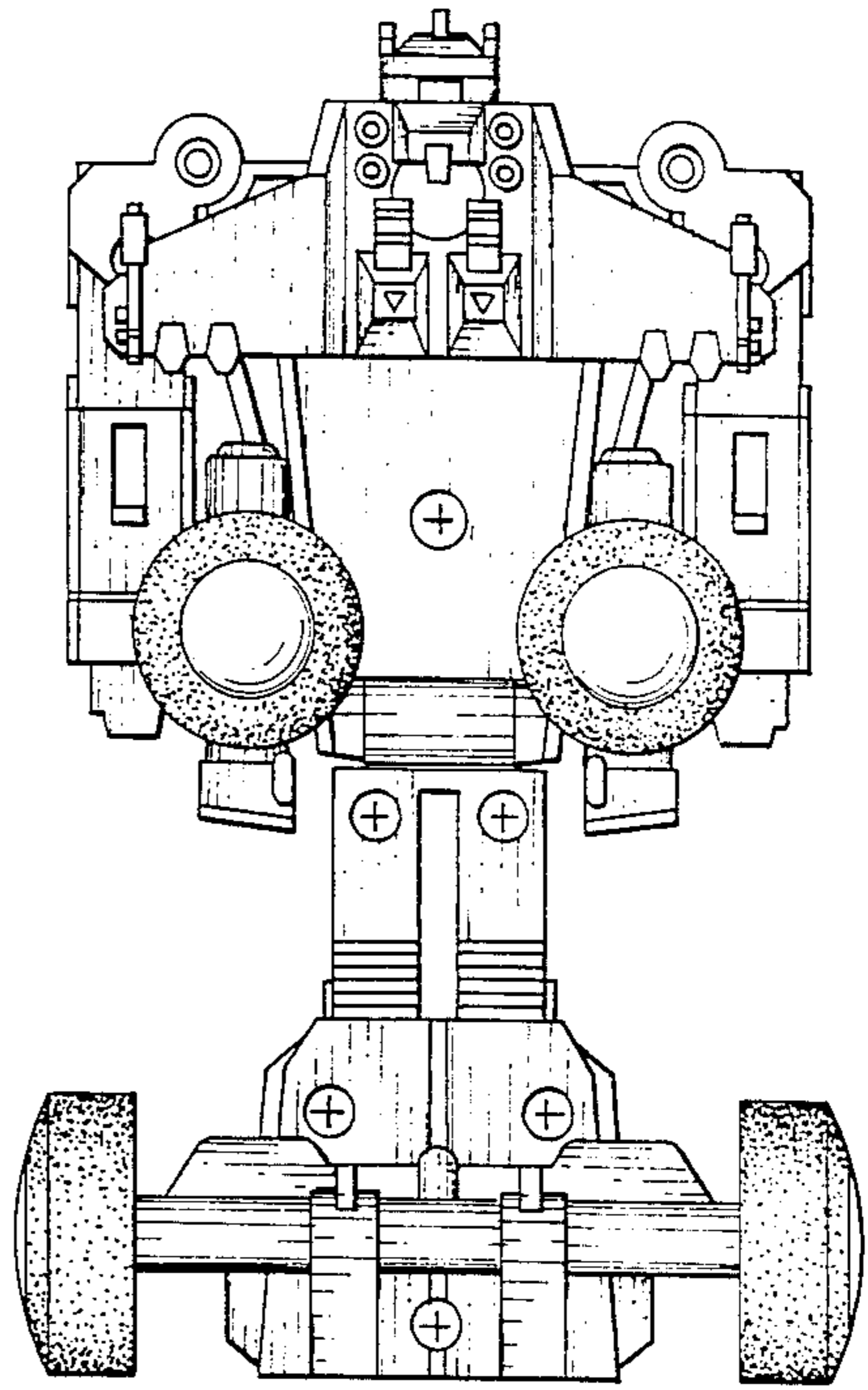


FIG. 11

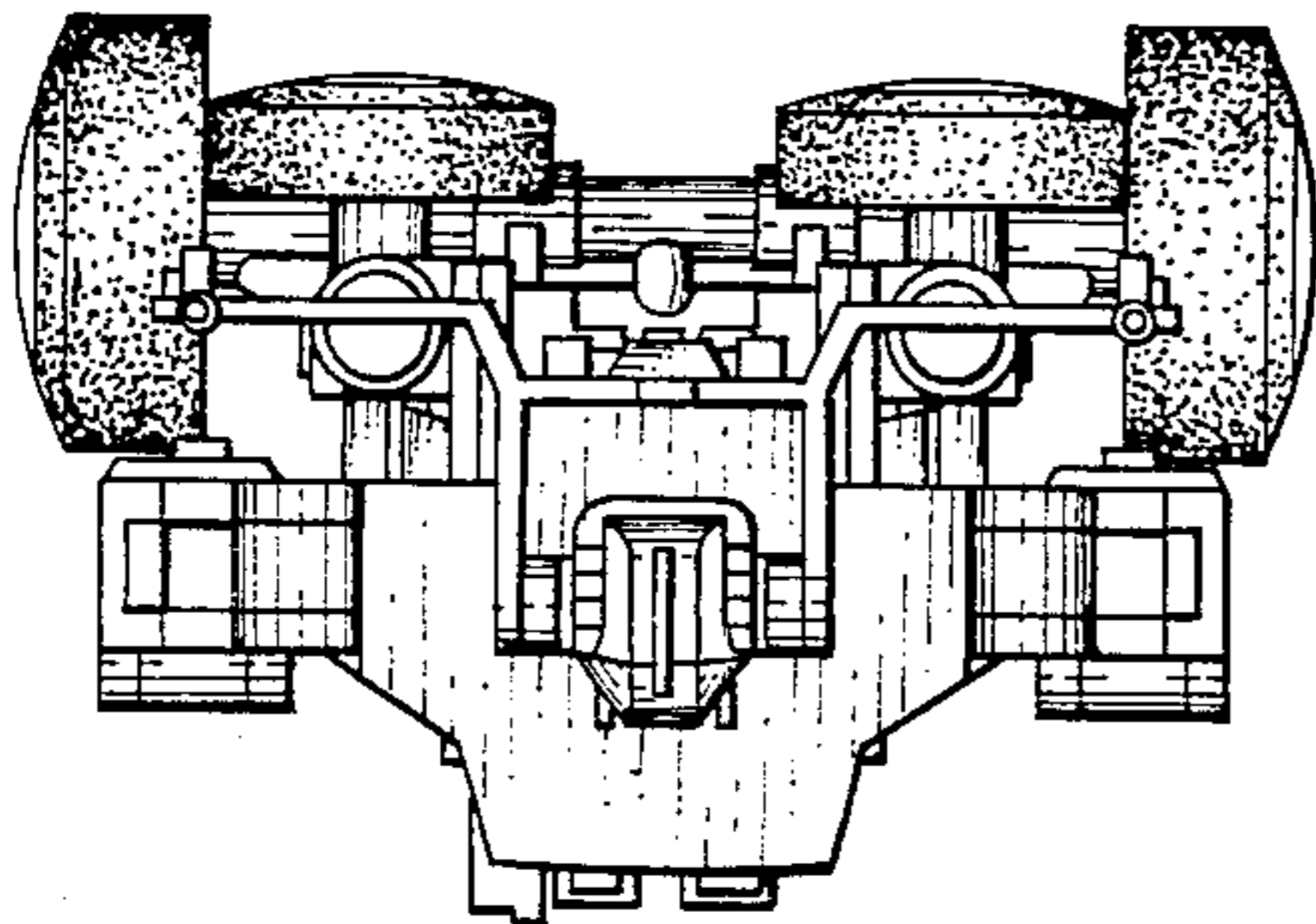


FIG. 12

