

[54] **OBJECT TOSS SKILL GAME**

[76] **Inventor:** Alvy Cook, 4030 Jackson Blvd.,
Rapid City, S. Dak. 57702

[**] **Term:** 14 Years

[21] **Appl. No.:** 834,054

[22] **Filed:** Feb. 18, 1986

[52] **U.S. Cl.** D21/5

[58] **Field of Search** D21/5, 108; 273/398,
273/399, 400, 401, 402, 317, 348, 353, 126 R,
127 R

[56] **References Cited**

U.S. PATENT DOCUMENTS

D. 246,927 1/1978 Christianson D21/108

D. 252,978 9/1979 Bayley D21/108
3,414,986 12/1968 Stassen D21/108
3,964,745 6/1976 Ogg 273/401
4,392,653 7/1983 Blume 273/400

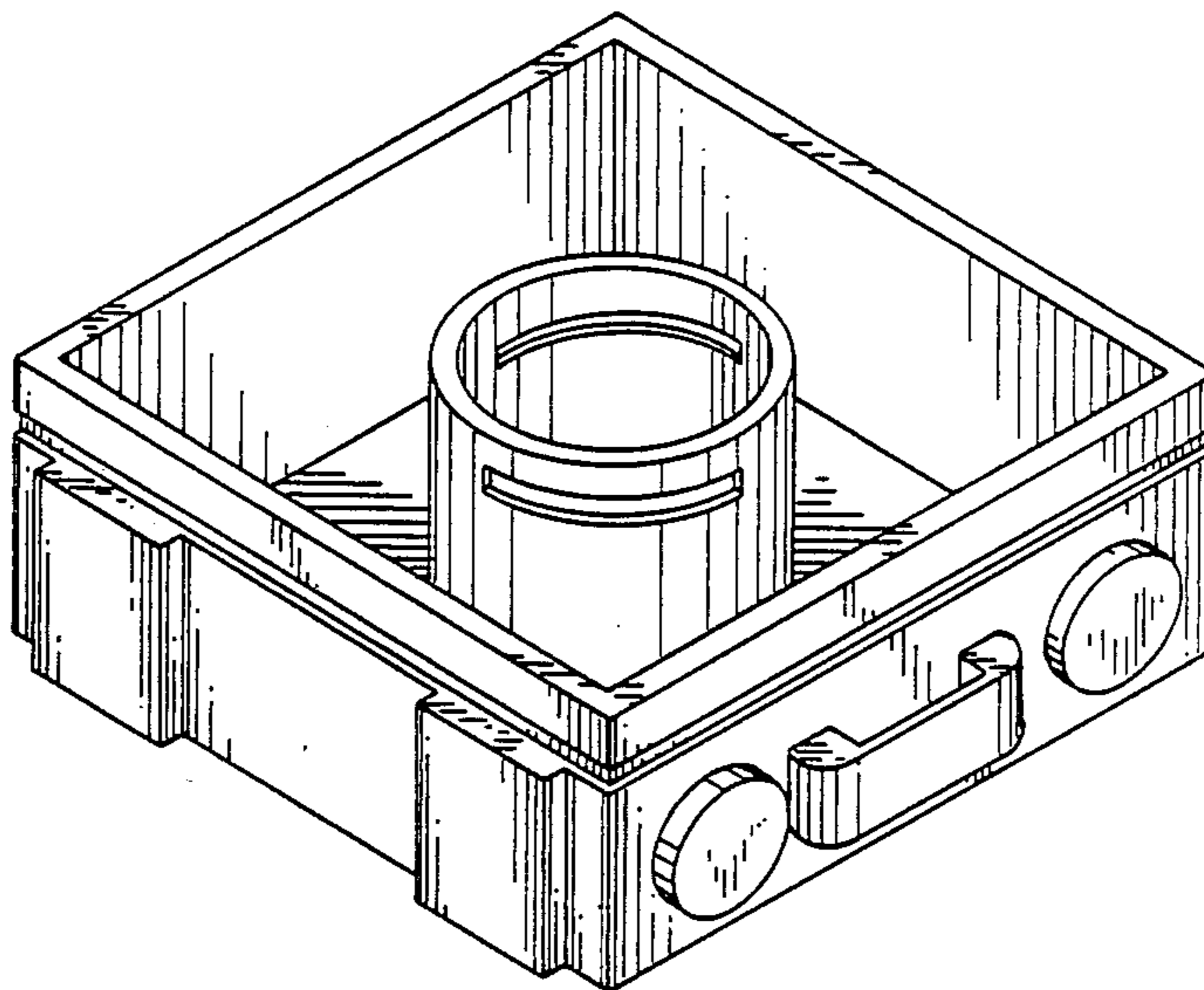
Primary Examiner—Bernard Ansher
Assistant Examiner—Lucy Lieberman
Attorney, Agent, or Firm—Terry M. Gernstein

[57] **CLAIM**

The ornamental design for an object toss skill game, as shown and described.

DESCRIPTION

FIG. 1 is a top, front perspective view of an object toss skill game showing my new design;
FIG. 2 is a top rear perspective view thereof;
FIG. 3 is a top plan view thereof; and
FIG. 4 is a rear elevation view thereof.



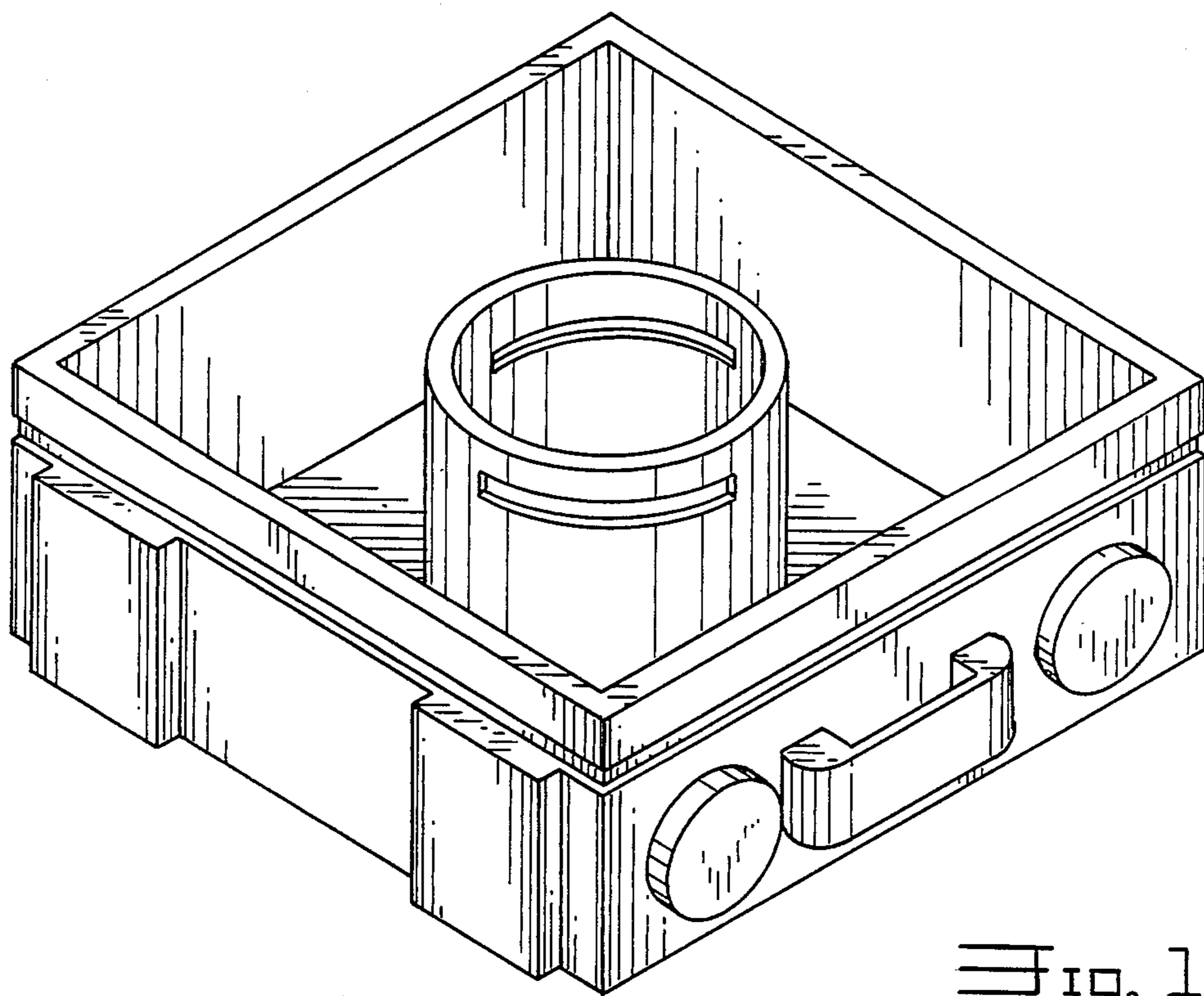


Fig. 1

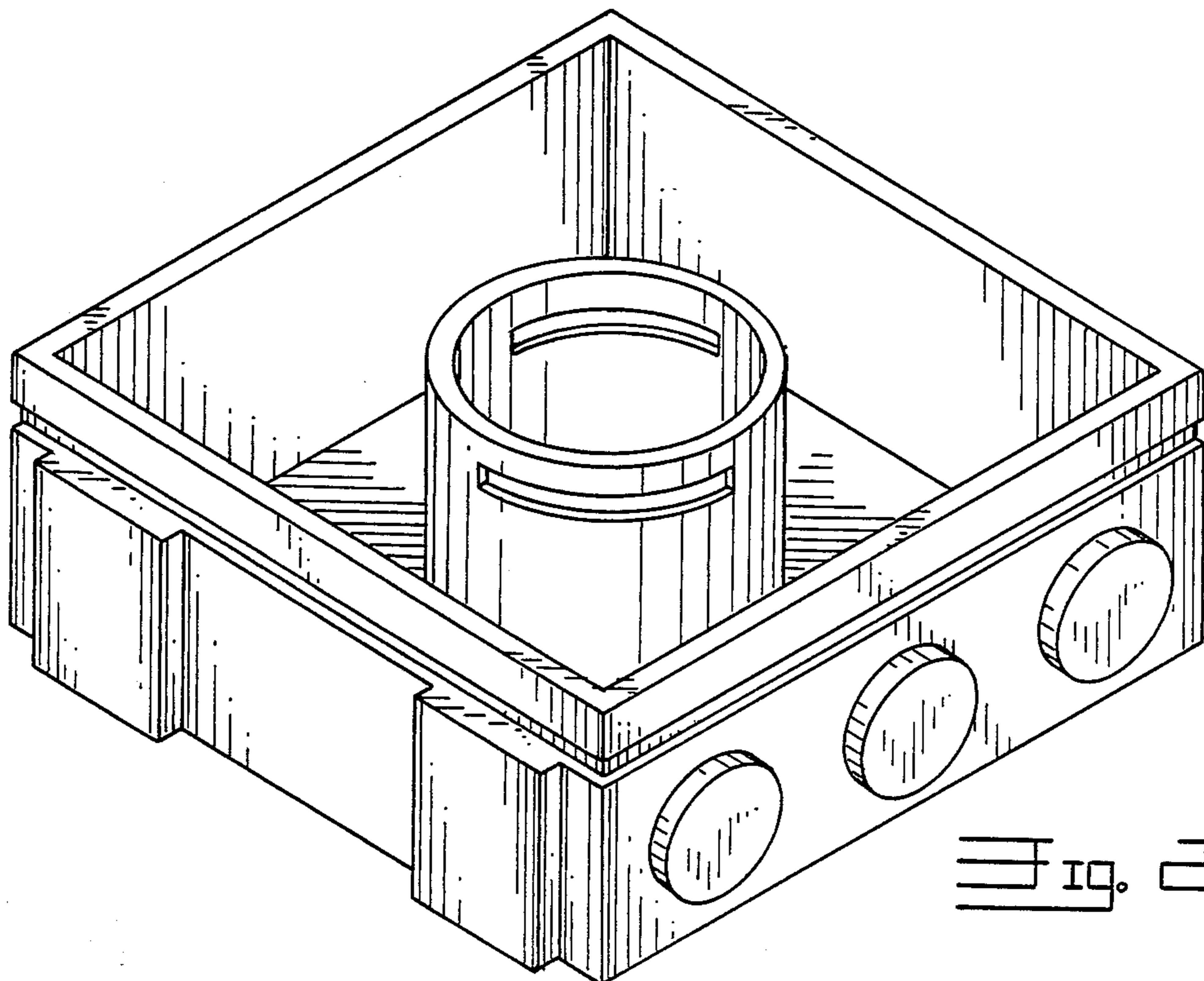


Fig. 2

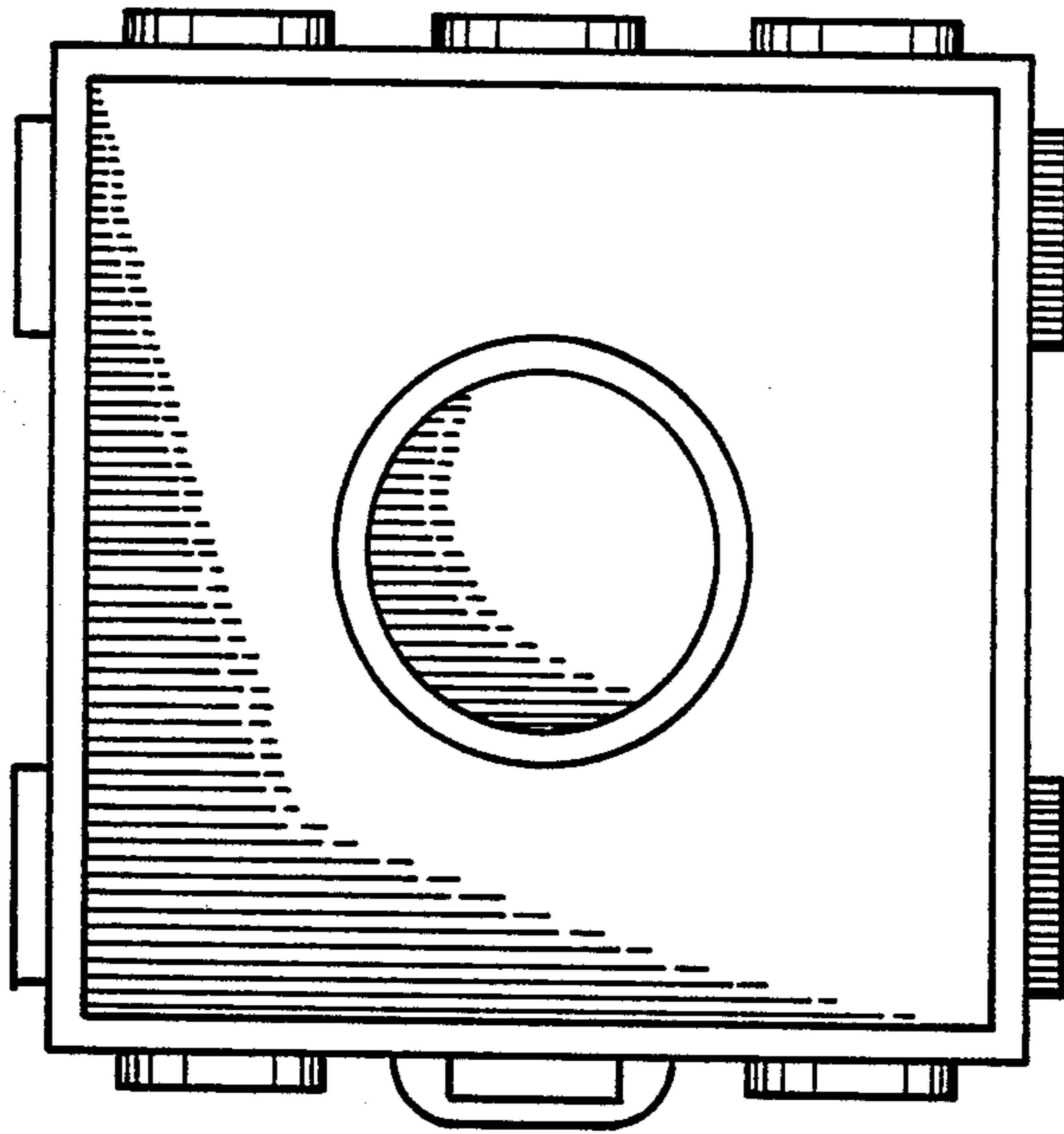


Fig. 3

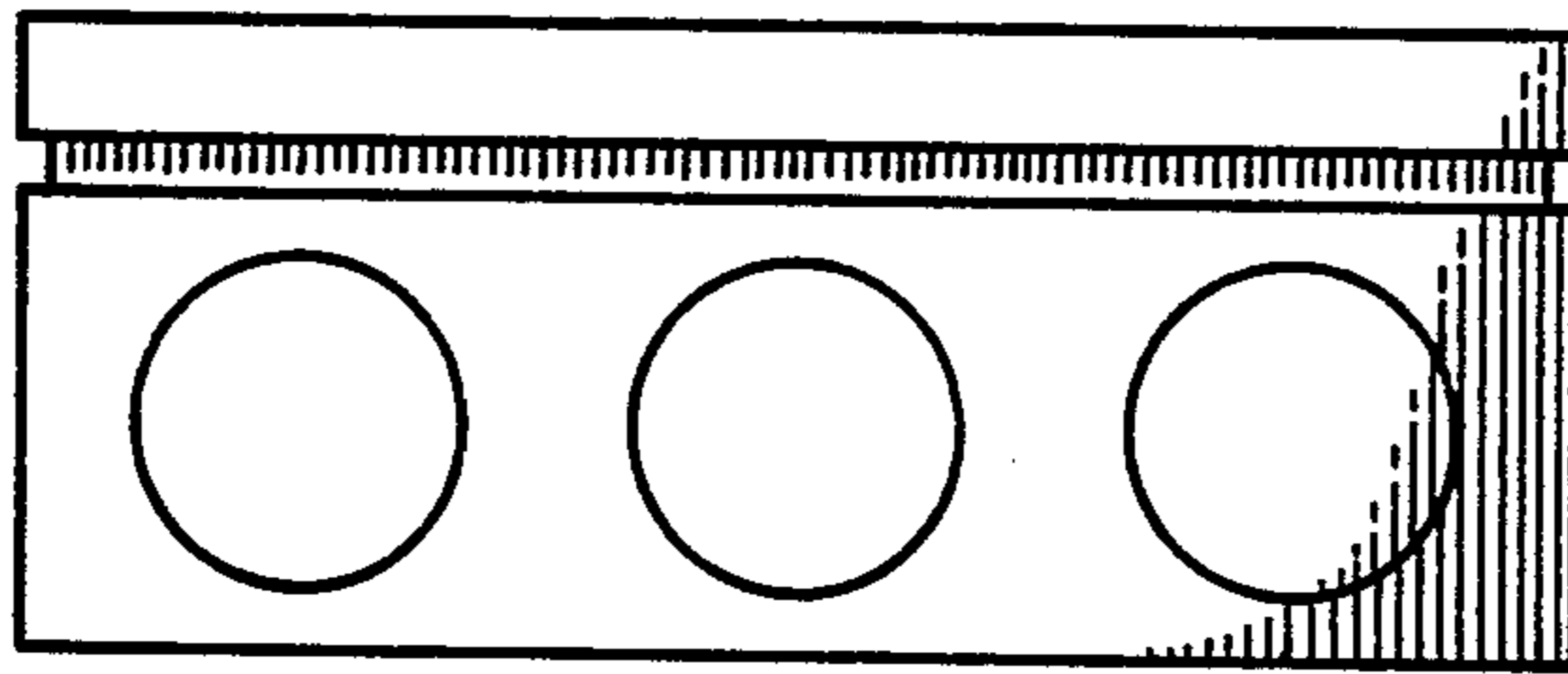


Fig. 4