

[54] **DESK TOP ORGANIZER**

[76] **Inventor:** Frederick J. Galvez, 617 Edmond St., Pittsburgh, Pa. 15224

[**] **Term:** 14 Years

[21] **Appl. No.:** 833,468

[22] **Filed:** Feb. 18, 1986

[52] **U.S. Cl. D19/75**

[58] **Field of Search D19/75, 77, 86, 78, D19/90, 79, 91, 92, 94, 95, 98, 83; 282/22 A, 23 A, 25, 29 R**

[56] **References Cited**

U.S. PATENT DOCUMENTS

- D. 127,370 5/1941 Froelich D19/78
- D. 234,511 3/1975 Mori D19/75
- D. 266,675 10/1982 Polhemus et al. D19/77

OTHER PUBLICATIONS

Jacobs Gardner catalog, 1988, p. 404, Executive Suite

Bulletin Bd., item No. B—bottom left of page (shown by arrows), item No. C—top right of page.

Primary Examiner—Bernard Ansher
Assistant Examiner—Prabhakar Deshmukh
Attorney, Agent, or Firm—Kirkpatrick & Lockhart

[57] **CLAIM**

The ornamental design for desk top organizer, as shown and described.

DESCRIPTION

FIG. 1 is a perspective view of a desk top organizer with the lid in an open position showing my new design; FIG. 2 is a perspective view thereof, with the lid in a closed position, FIG. 3 is a top plan view thereof; FIG. 4 is a front elevation thereof; FIG. 5 is a left side elevation thereof; FIG. 6 is a right side elevation thereof; and FIG. 7 is a bottom plan view thereof.

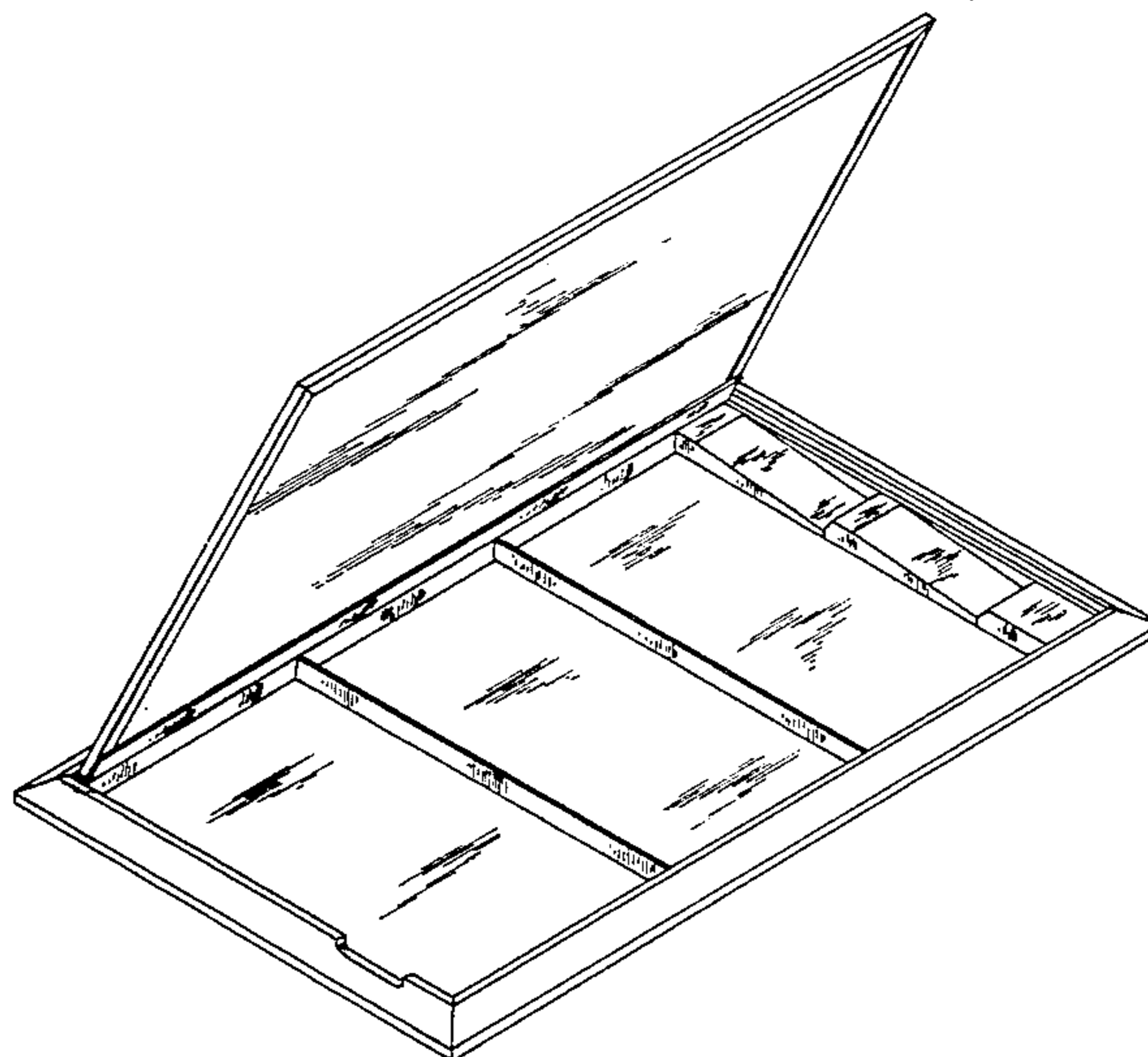


Fig. 1.

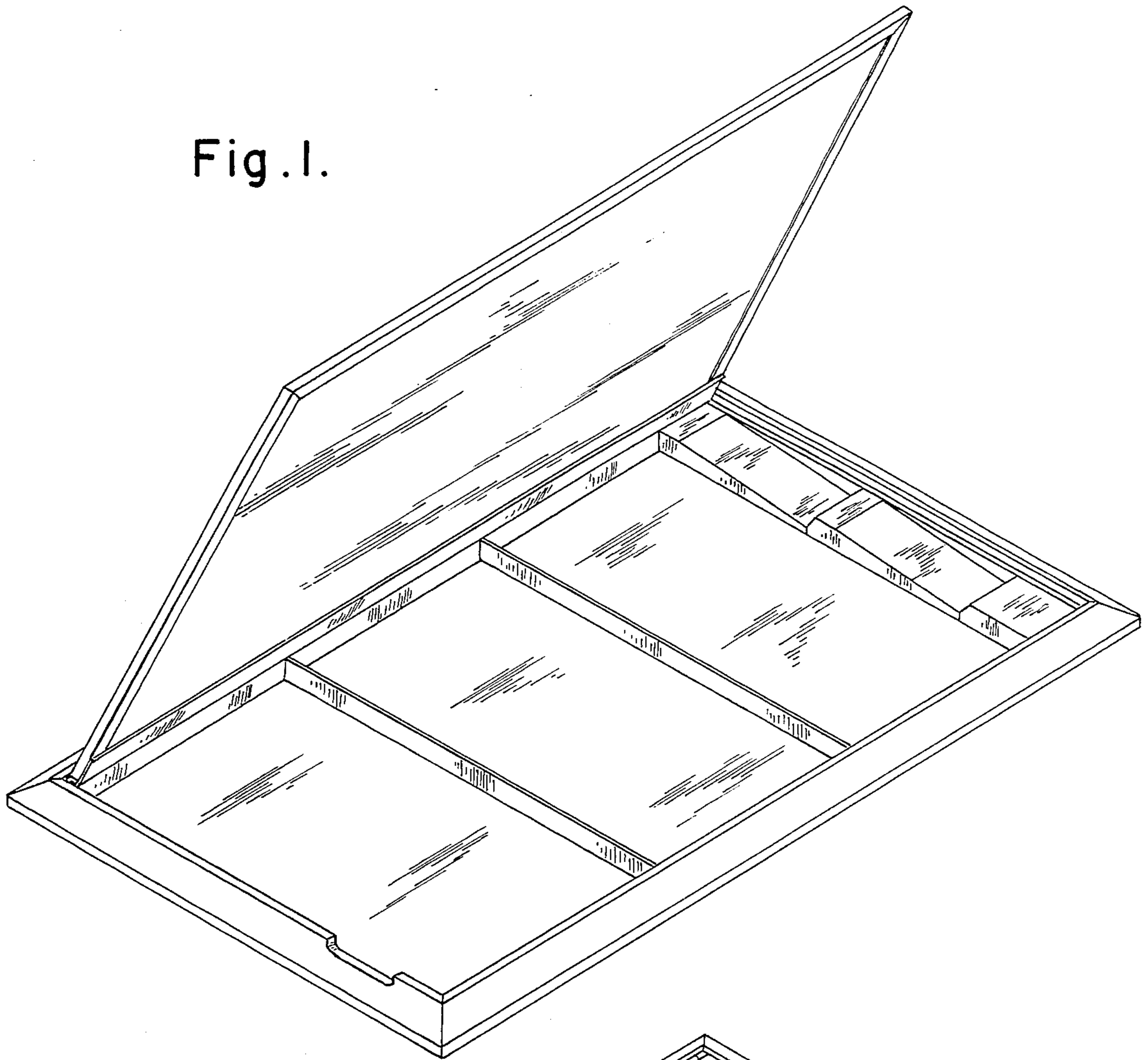


Fig. 2.

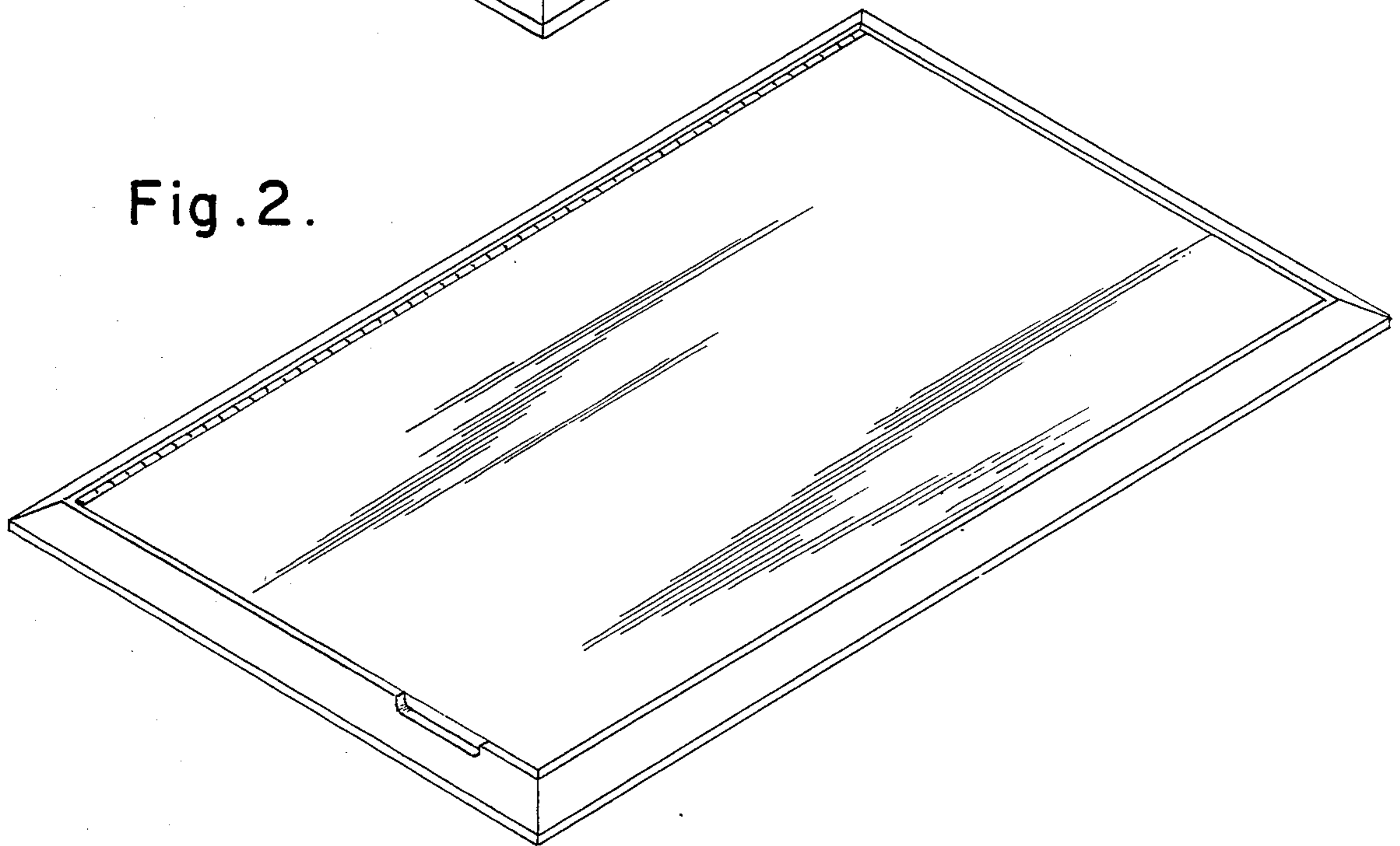


Fig. 3.

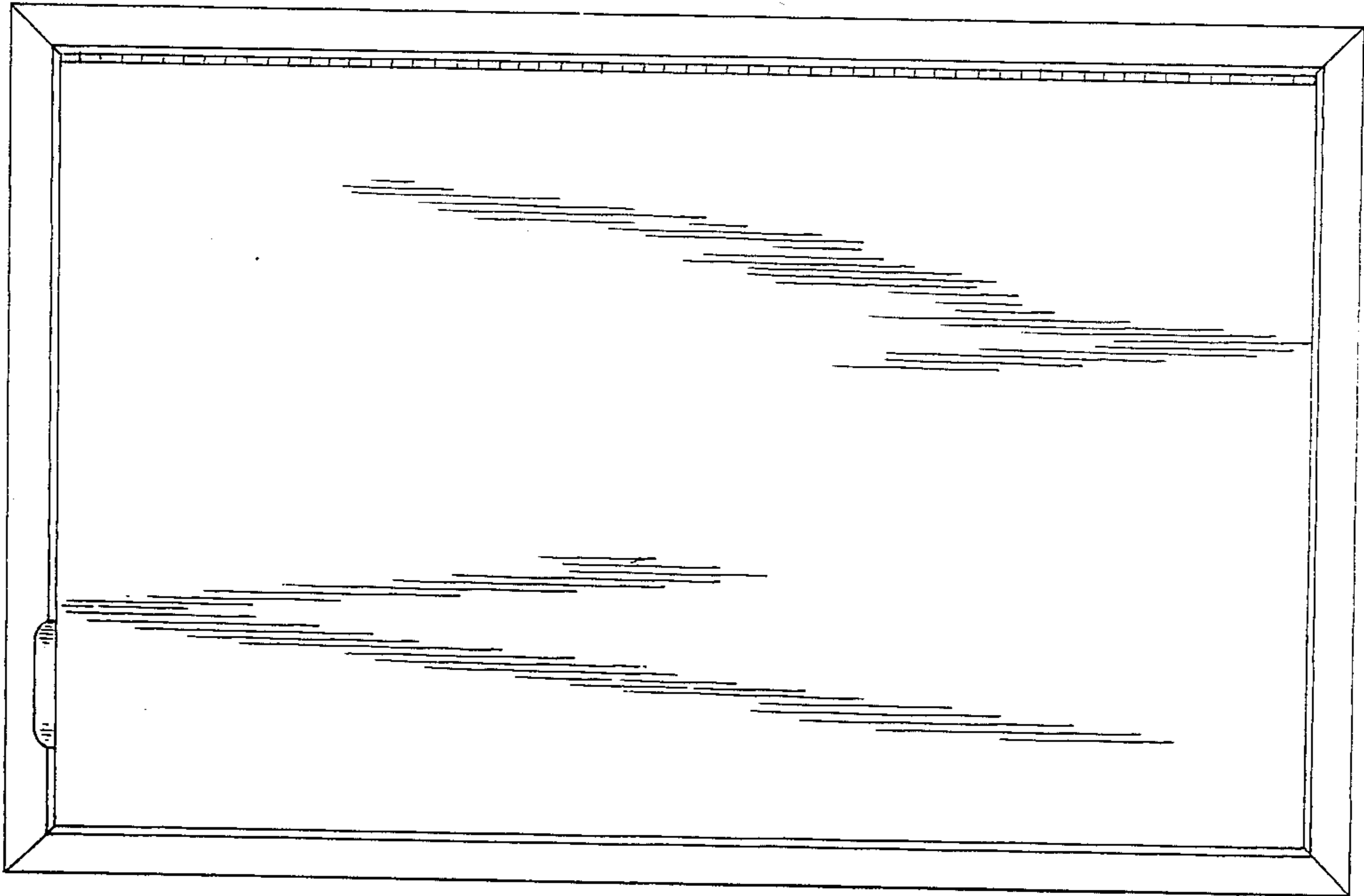


Fig. 4.

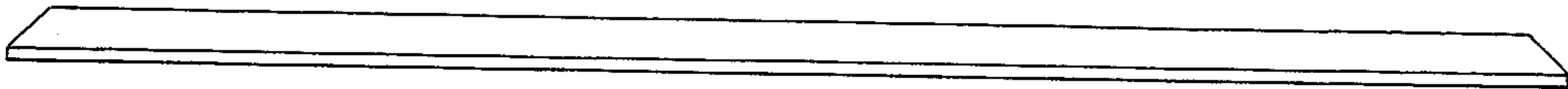


Fig. 5.

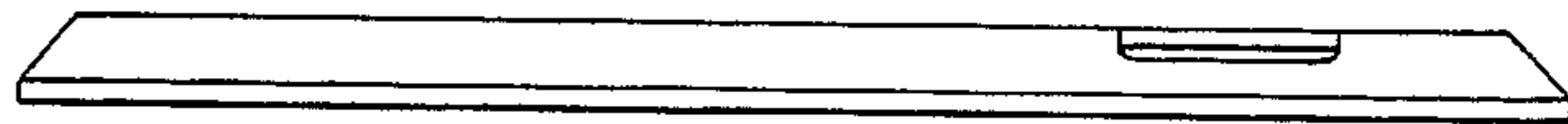


Fig. 6.

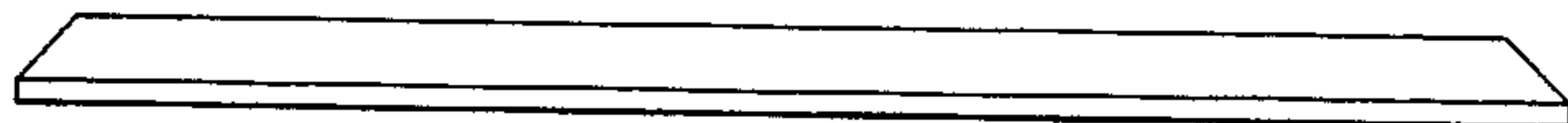
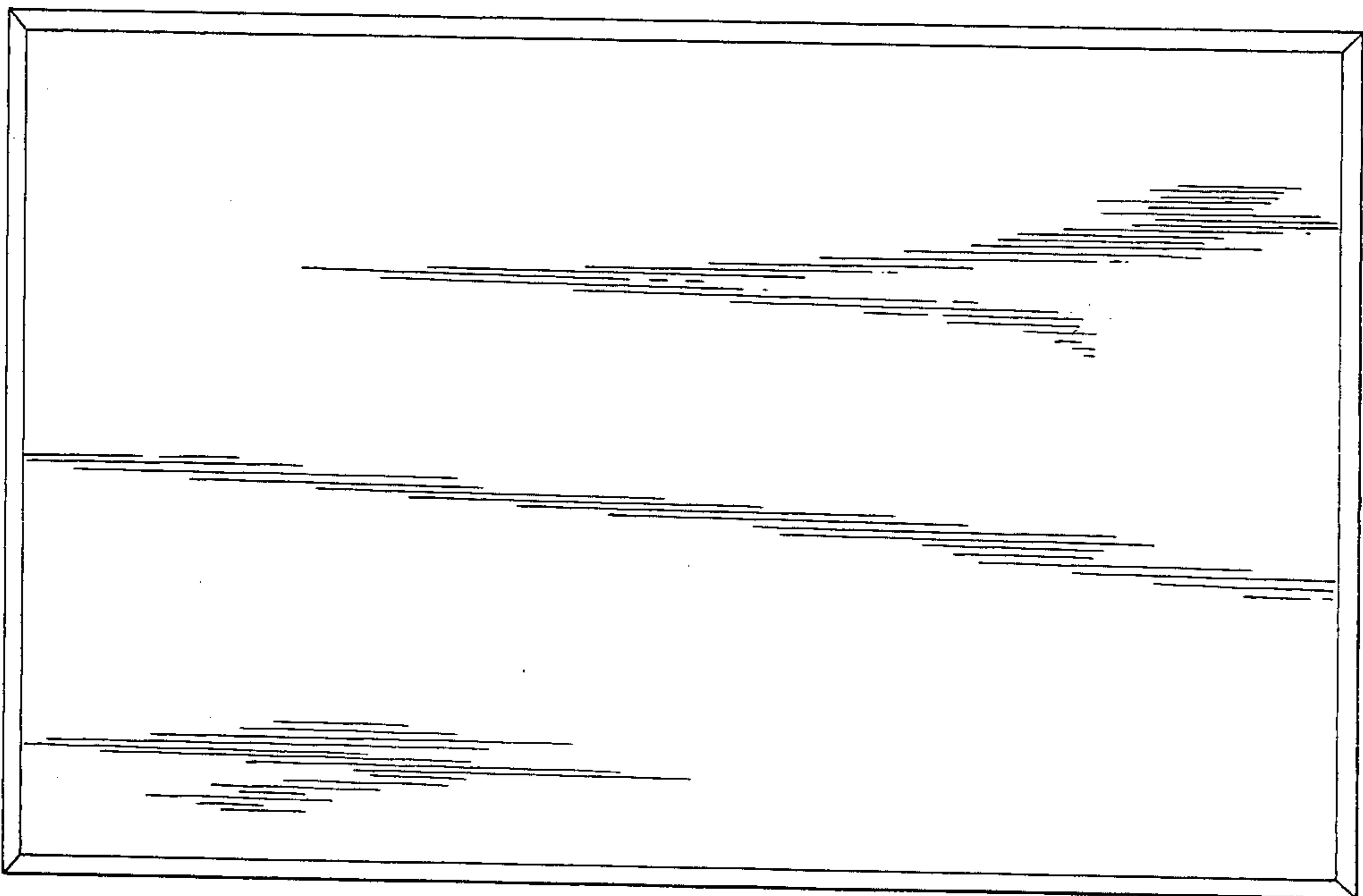


Fig. 7.



UNITED STATES PATENT AND TRADEMARK OFFICE
CERTIFICATE OF CORRECTION

PATENT NO. : Des. 301,898
DATED : June 27, 1989
INVENTOR(S) : Frederick J. Galvez

It is certified that error appears in the above-identified patent and that said Letters Patent is hereby corrected as shown below:

On the title page:

In the References Cited

U. S. Patent Documents

191,932 12/61 Schroeder
209,882 1/68 Andersen
260,906 9/81 Grusing
262,382 12/81 Martin

**Signed and Sealed this
Thirty-first Day of July, 1990**

Attest:

Attesting Officer

HARRY F. MANBECK, JR.

Commissioner of Patents and Trademarks