

[54] **ELECTRONIC CALCULATOR**

[75] **Inventor: Masaki Hayashi, Hino, Japan**

[73] **Assignee: Casio Computer Co., Ltd., Tokyo, Japan**

[**] **Term: 14 Years**

[21] **Appl. No.: 841,742**

[22] **Filed: Mar. 5, 1986**

[30] **Foreign Application Priority Data**

Sep. 19, 1985 [JP] Japan 60-39508

[52] **U.S. Cl. D18/7**

[58] **Field of Search D18/2, 6-12;
D10/46.1; 200/5 A; 364/706-710**

[56] **References Cited**

U.S. PATENT DOCUMENTS

D. 279,688	7/1985	Kitai et al.	D18/7
D. 282,853	3/1986	Yoshioka et al.	D18/7
D. 285,805	9/1986	Yubisui et al.	D18/7
D. 289,416	4/1987	Yoshioka et al.	D18/7
D. 290,019	5/1987	Hirooka et al.	D18/7

Primary Examiner—Louis S. Zarfes

Attorney, Agent, or Firm—Frishauf, Holtz, Goodman & Woodward

[57] **CLAIM**

The ornamental design for an electronic calculator, substantially as shown.

DESCRIPTION

FIG. 1 is a front elevational view of a electronic calculator showing my new design;
FIG. 2 is a top plan view thereof;
FIG. 3 is a right side elevational view thereof;
FIG. 4 is a left side elevational view thereof;
FIG. 5 is a rear elevational view thereof;
FIG. 6 is a bottom plan view thereof;
FIG. 7 is a perspective view thereof;
FIG. 8 is a perspective view thereof with front cover opened;
FIG. 9 is a front elevational view thereof with front cover opened;
FIG. 10 is a top plan view thereof with front cover opened; and
FIG. 11 is a right side elevational view thereof with front cover opened.

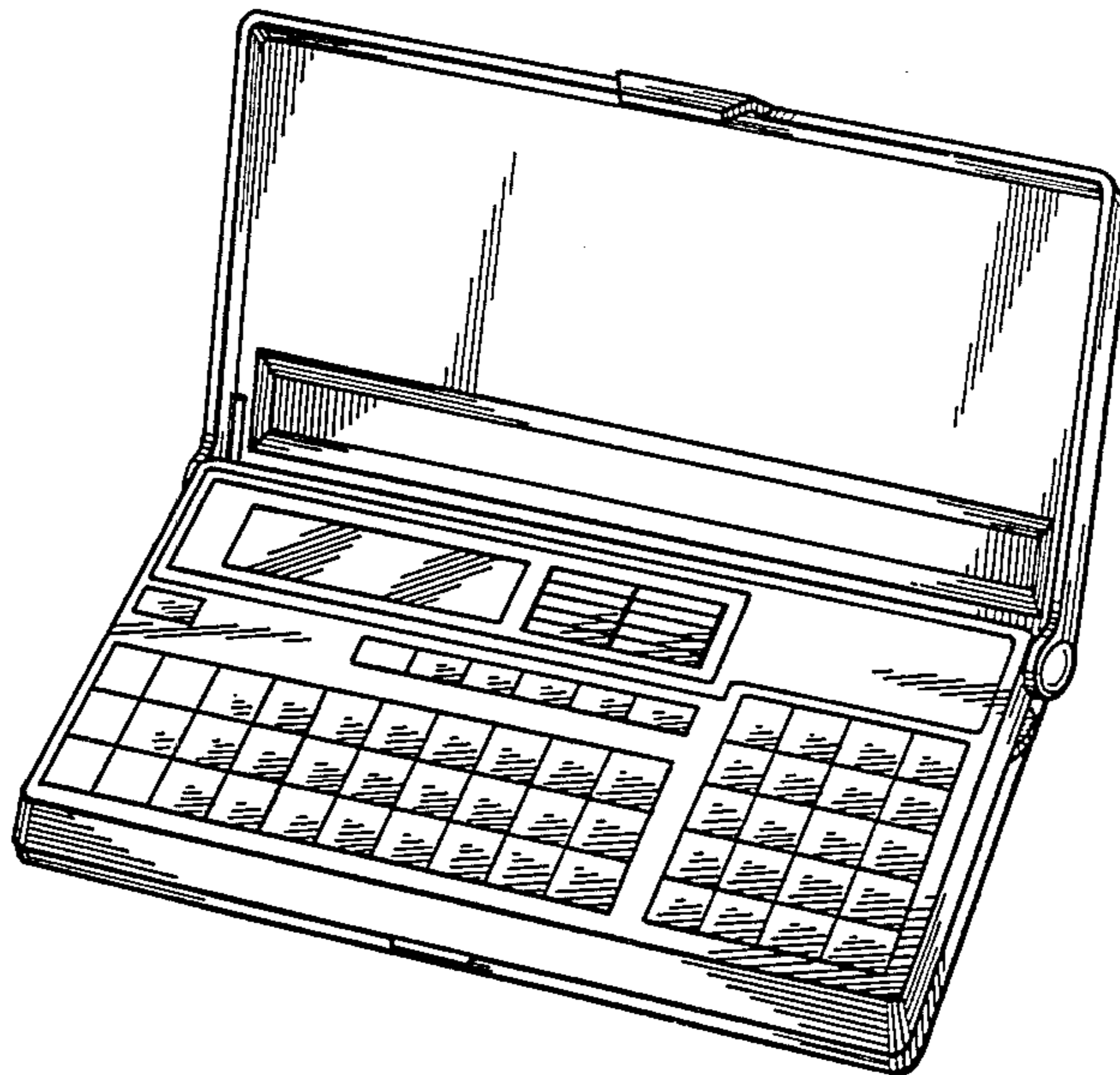




Fig. 1

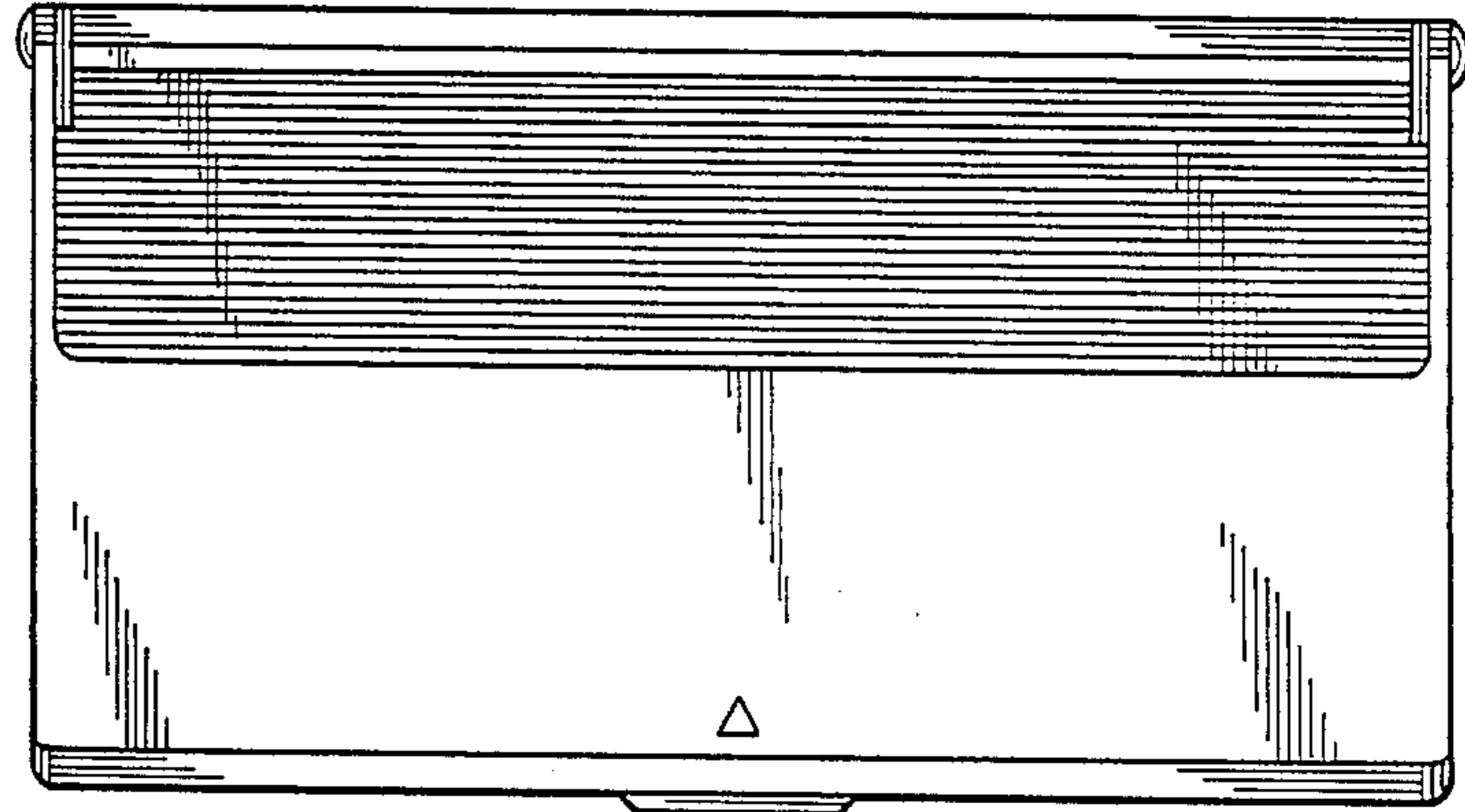


Fig. 2

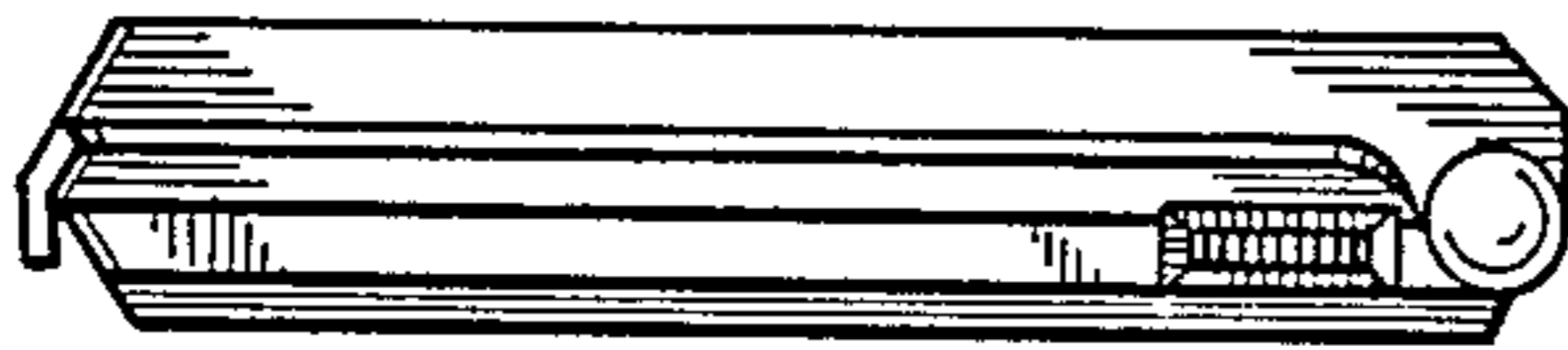


Fig. 3

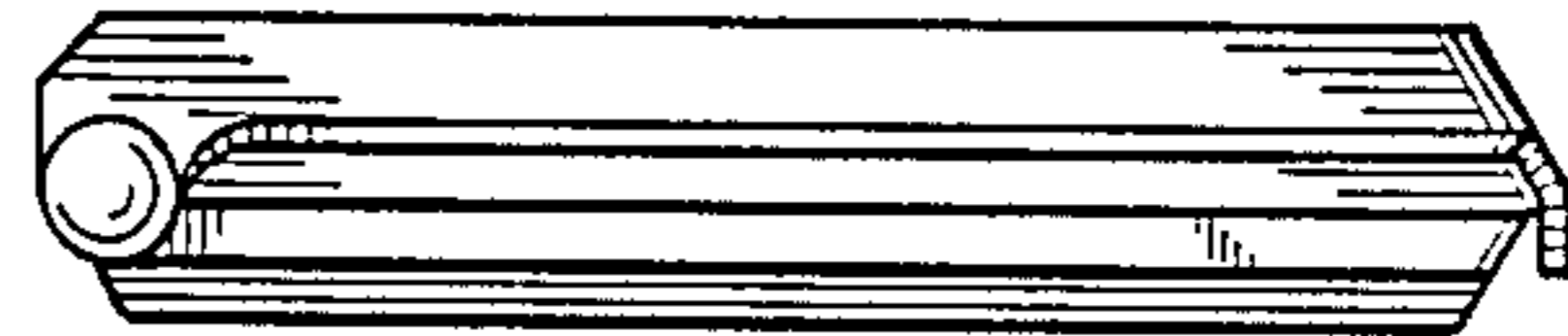


Fig. 4

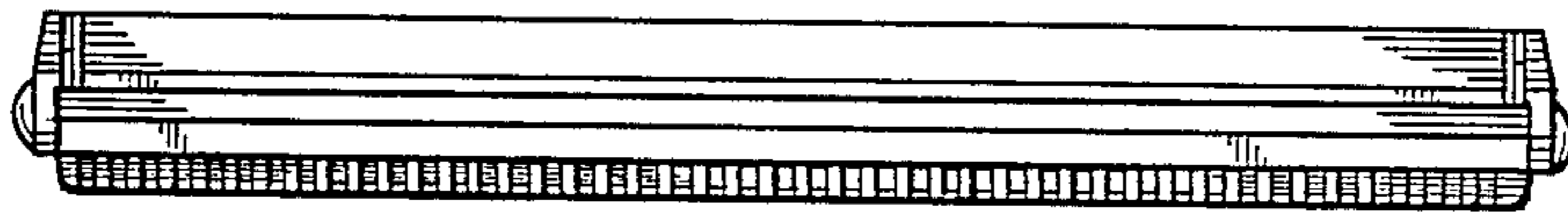


Fig. 5

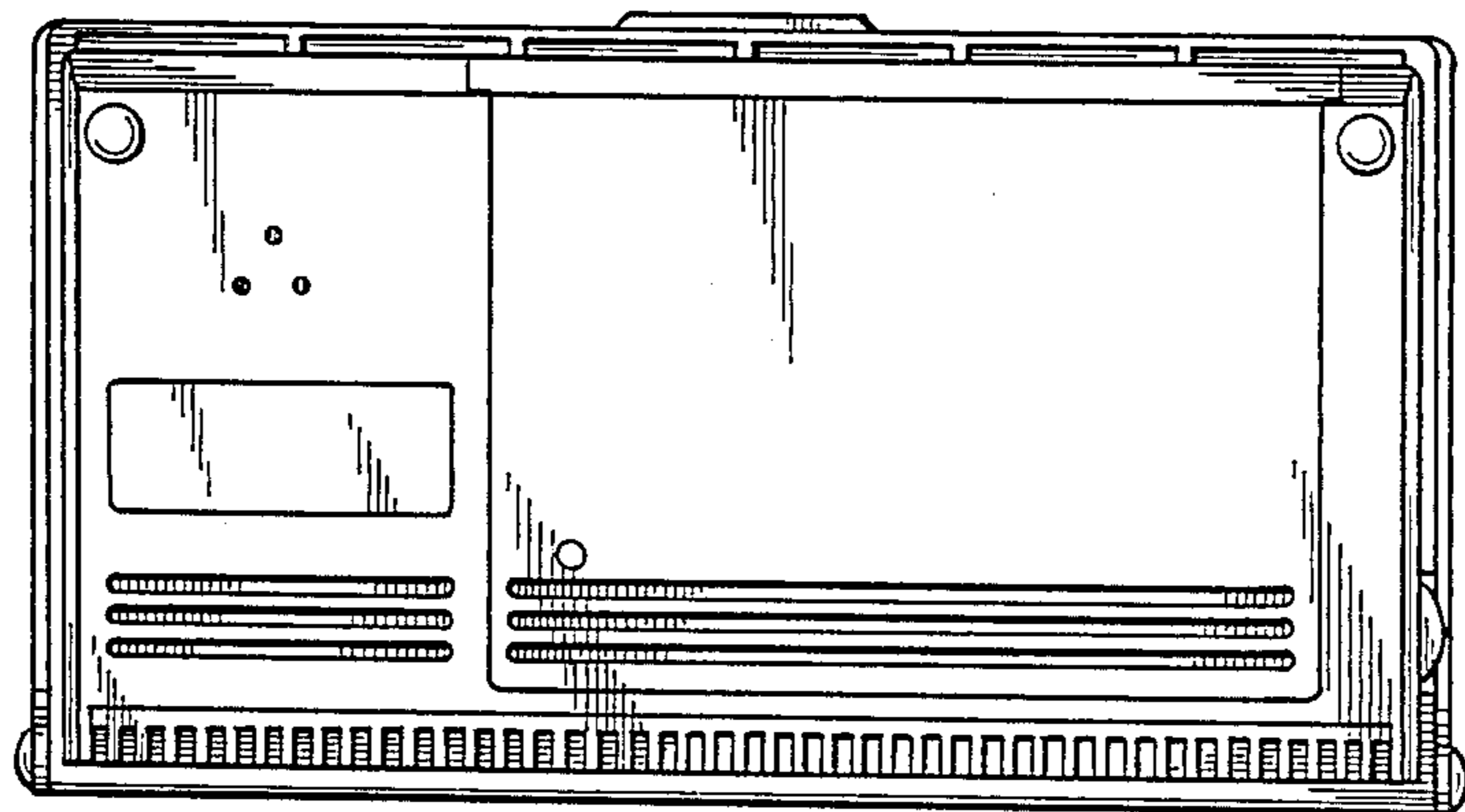


Fig. 6

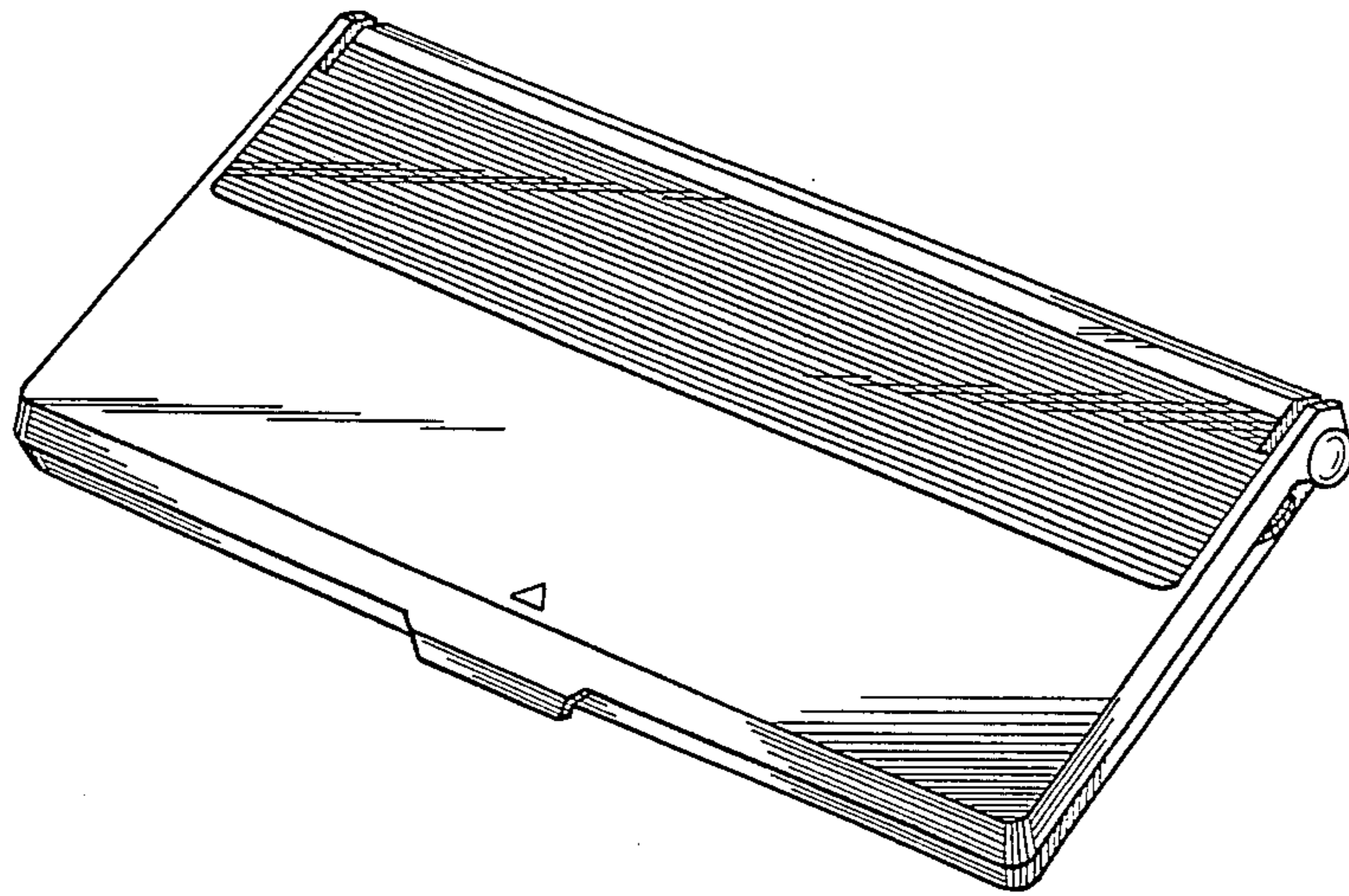


Fig. 7

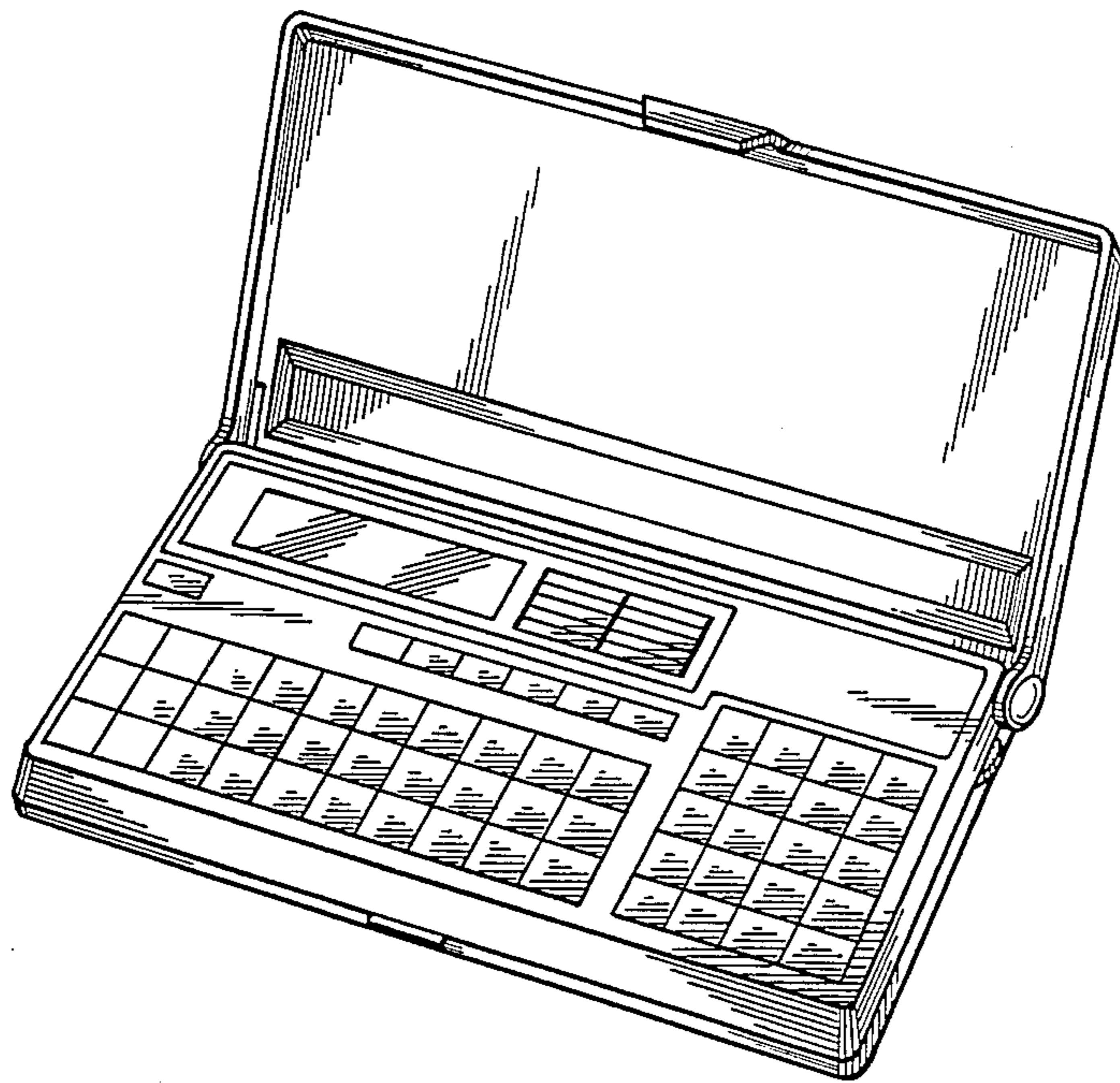


Fig. 8

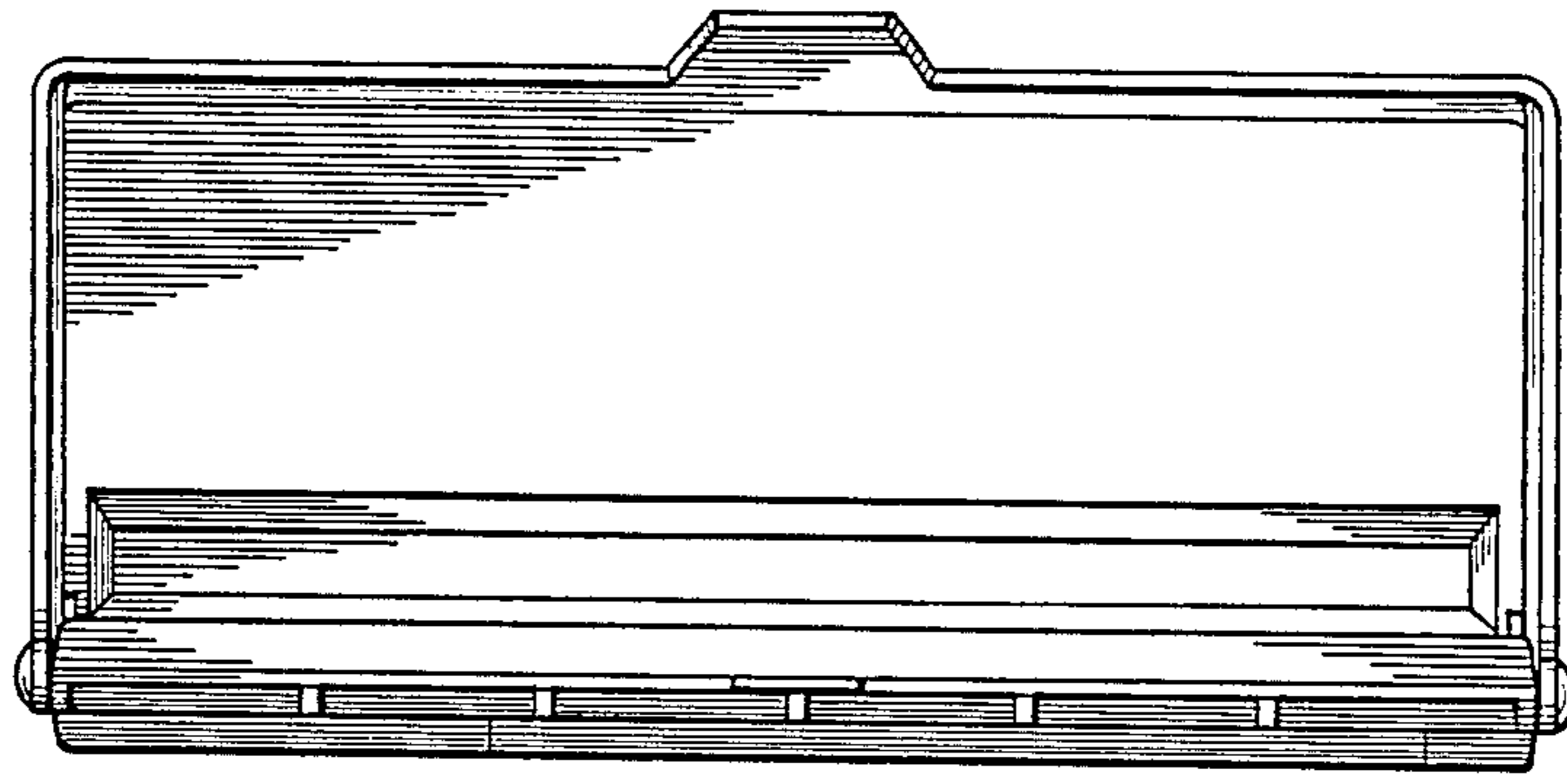


Fig. 9

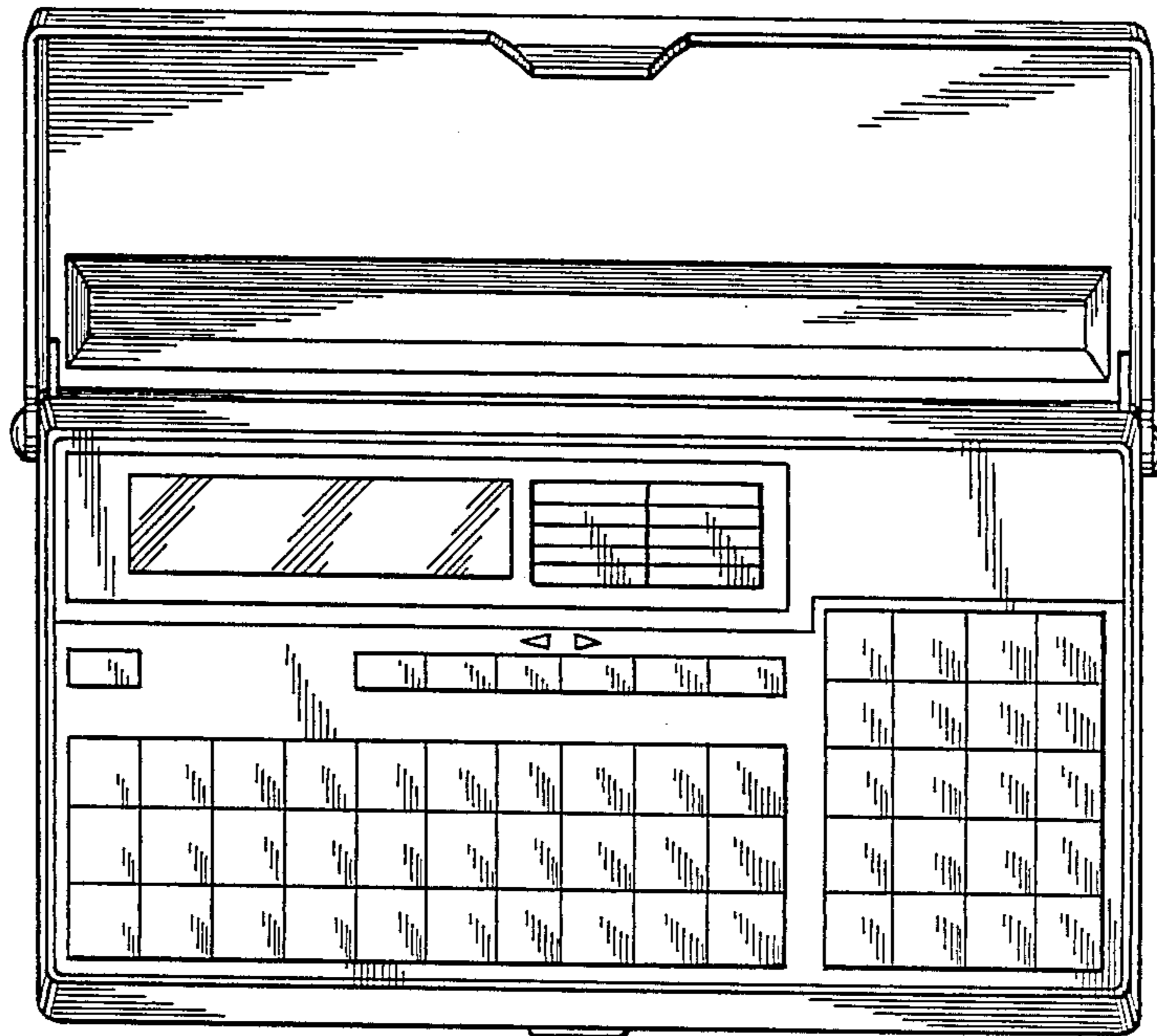


Fig. 10

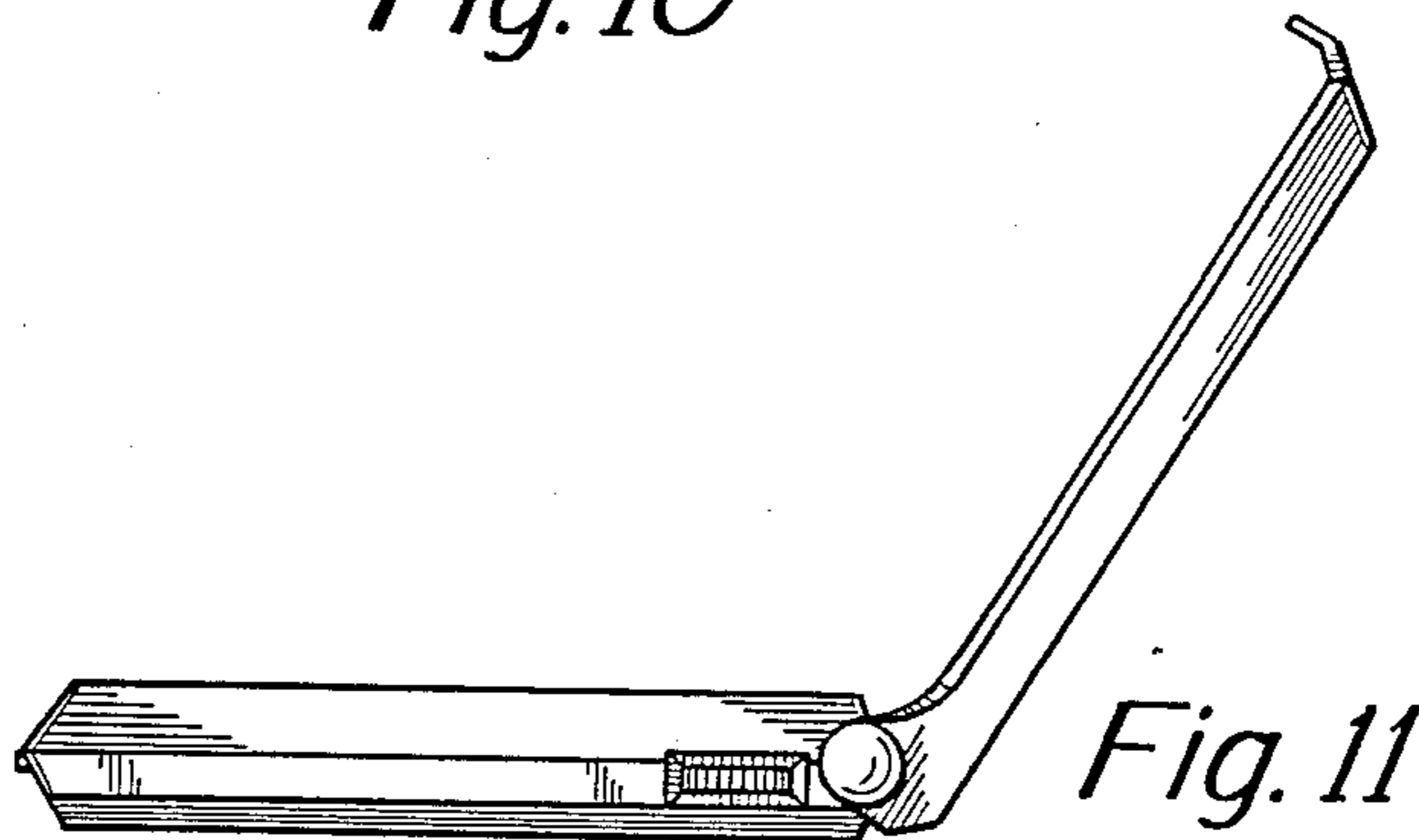


Fig. 11