

United States Patent [19]

Price

[11] Patent Number: **Des. 301,889**

[45] Date of Patent: **** Jun. 27, 1989**

[54] **ACCESSORY FENCE**

[76] Inventor: **T. David Price, 648 Turin St., So. St. Paul, Minn. 55075**

[**] Term: **14 Years**

[21] Appl. No.: **852,938**

[22] Filed: **Apr. 24, 1986**

[52] U.S. Cl. **D15/133**

[58] Field of Search **D25/119; D15/132, 133, D15/134; 83/468; 269/303, 304; 144/253 R, 287**

4,321,147 7/1982 Price 144/287
4,322,066 3/1982 Disney 269/304
4,600,184 7/1986 Ashworth 269/303
4,693,158 9/1987 Price D15/133

Primary Examiner—B. J. Bullock
Assistant Examiner—Dominic Simone
Attorney, Agent, or Firm—Merchant, Gould, Smith, Edell, Welter & Schmidt

[57] **CLAIM**

The ornamental design for an accessory fence, as shown and described.

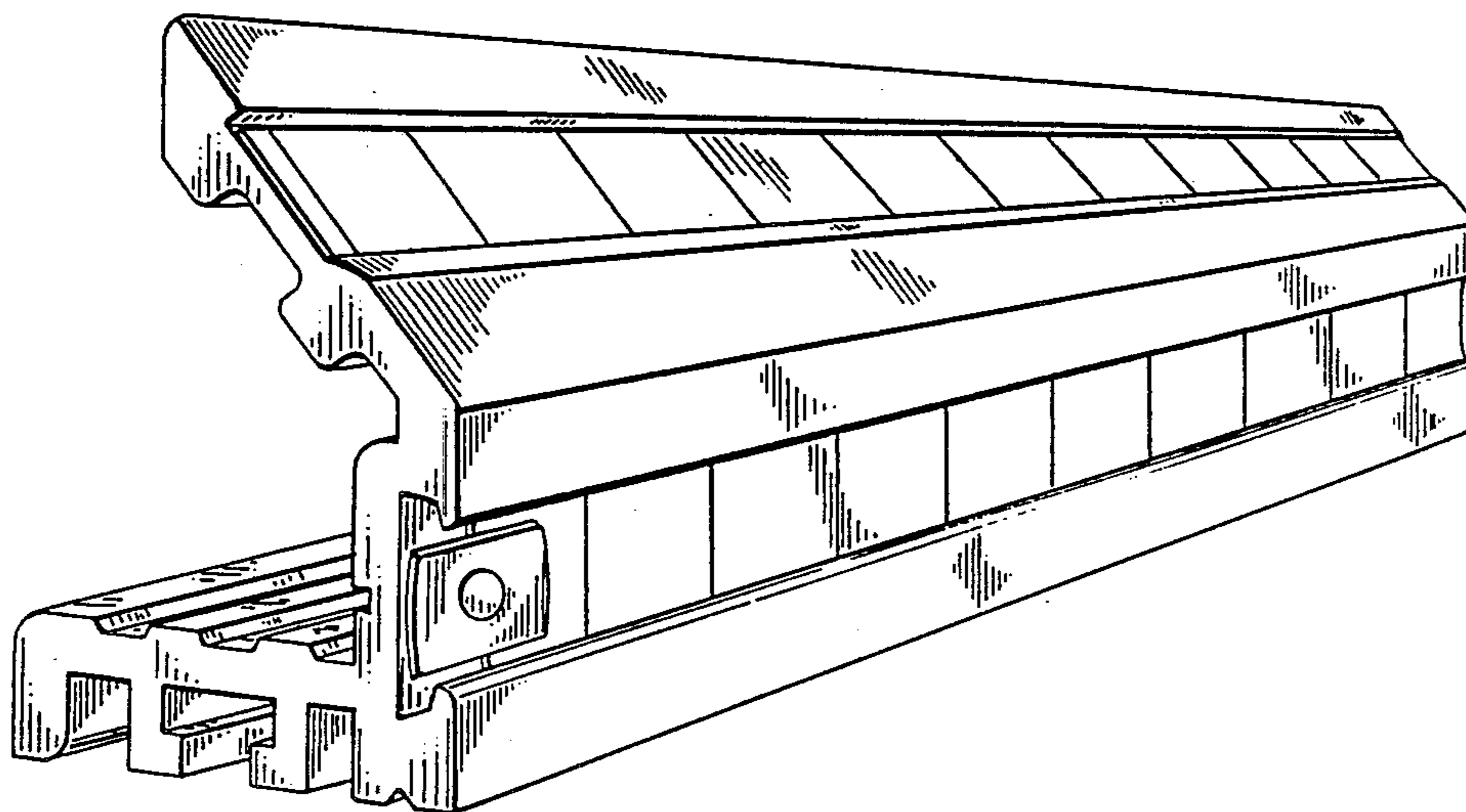
[56] **References Cited**

U.S. PATENT DOCUMENTS

D. 47,729 8/1915 Heulings, Jr. D25/119
D. 180,614 7/1957 Osborn D25/132
D. 198,447 6/1964 Lovgren D25/119
D. 234,902 4/1975 Marsh et al. D15/133
860,739 7/1907 Durell 269/303
3,379,229 4/1968 Siegal 269/303
4,206,910 6/1980 Biesemeyer 144/253 R

DESCRIPTION

FIG. 1 is a perspective view of an accessory fence, showing my new design;
FIG. 2 is a front elevational view thereof;
FIG. 3 is a rear elevational view thereof;
FIG. 4 is a top plan view thereof;
FIG. 5 is a bottom plan view thereof;
FIG. 6 is a left side elevational view thereof;
FIG. 7 is a right side elevational view thereof.



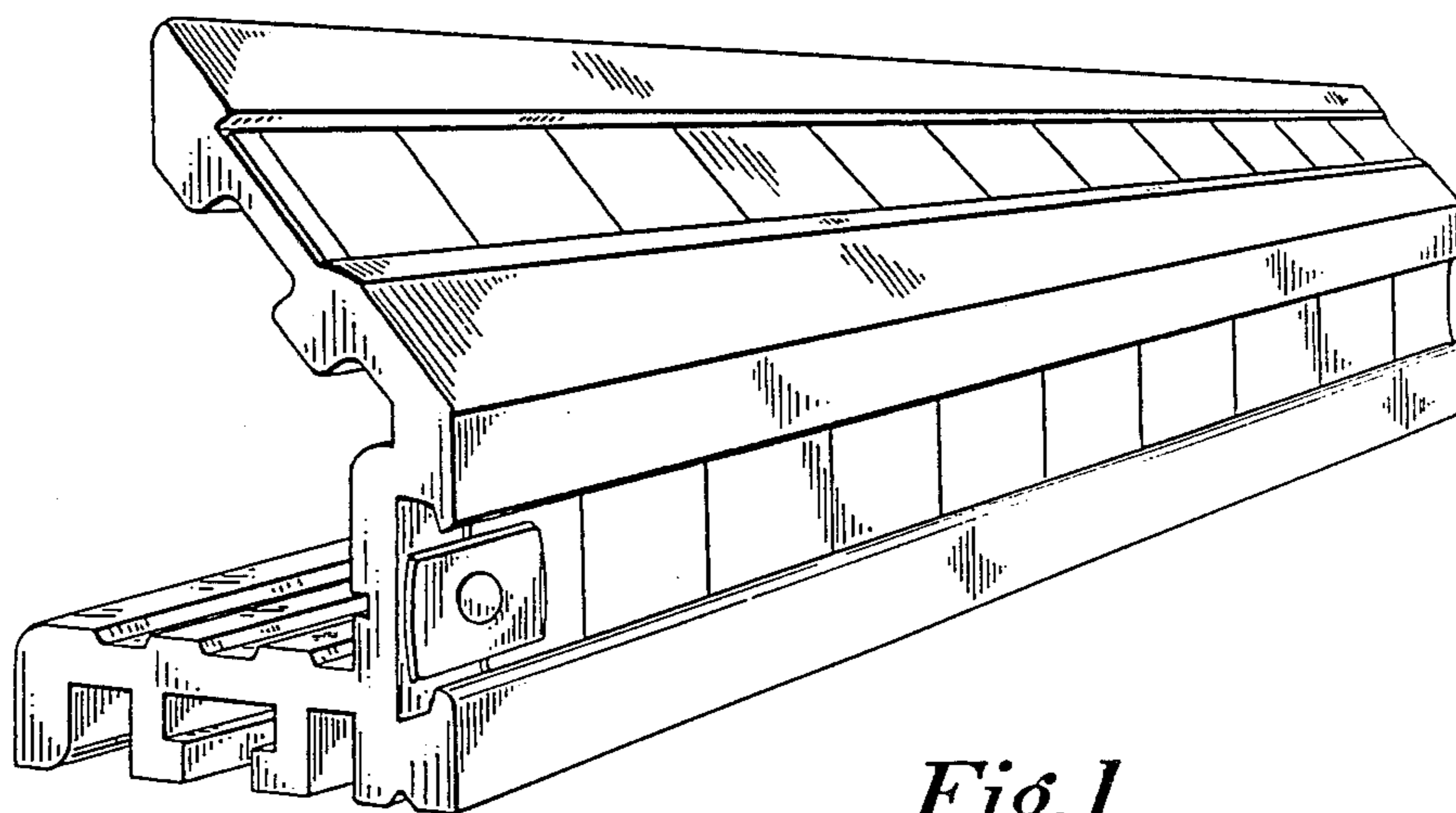


Fig. 1

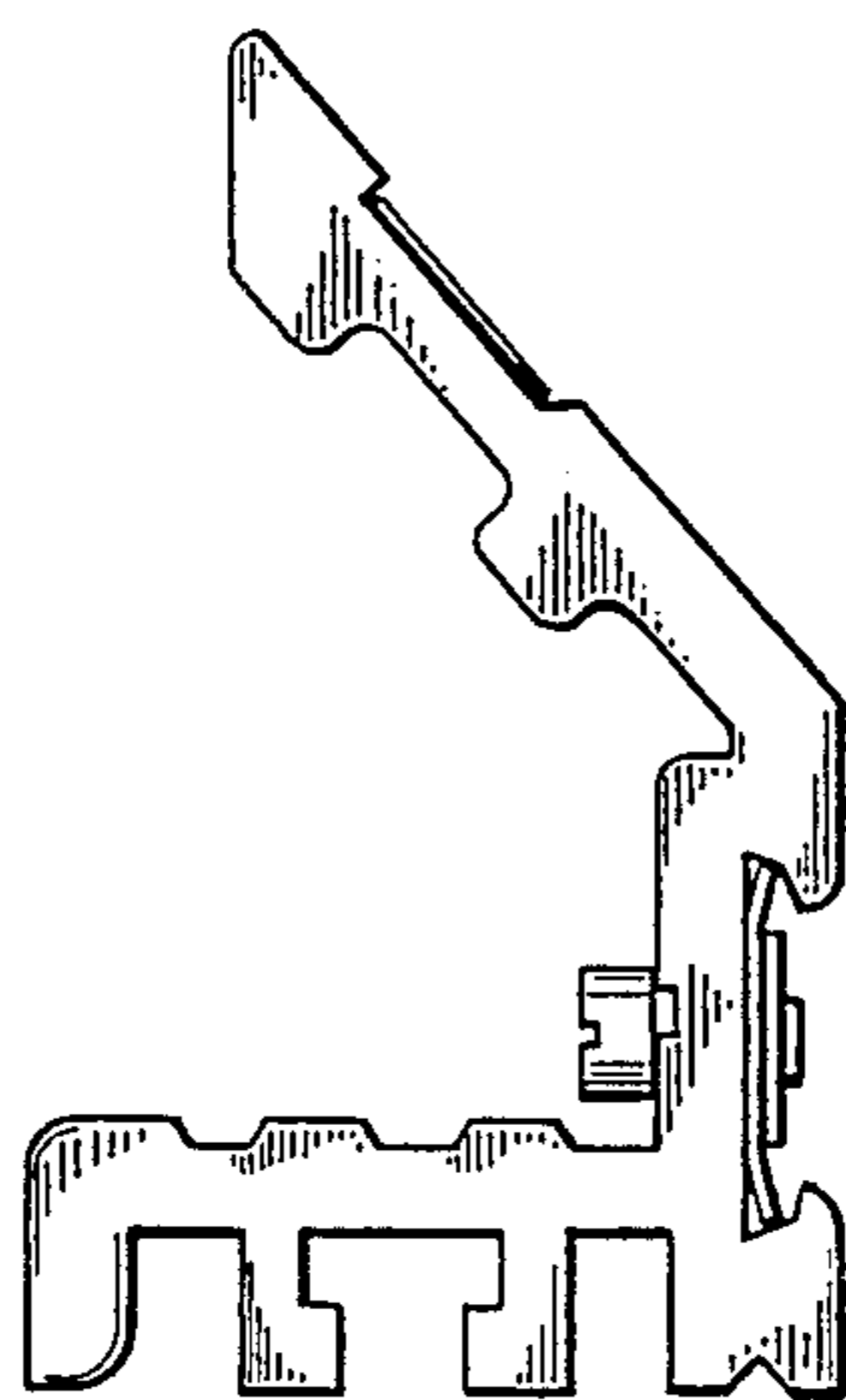


Fig. 6

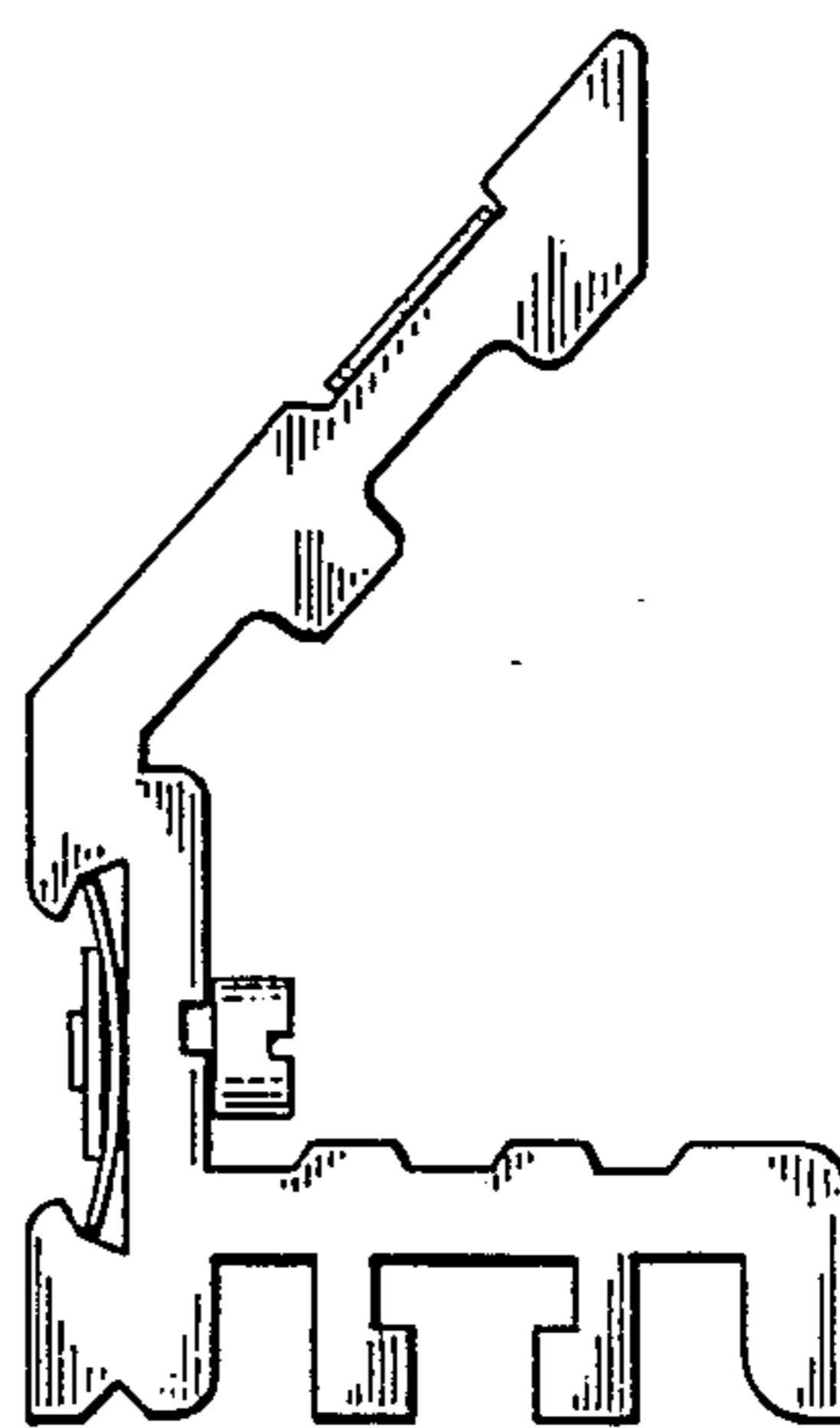


Fig. 7

Fig. 2

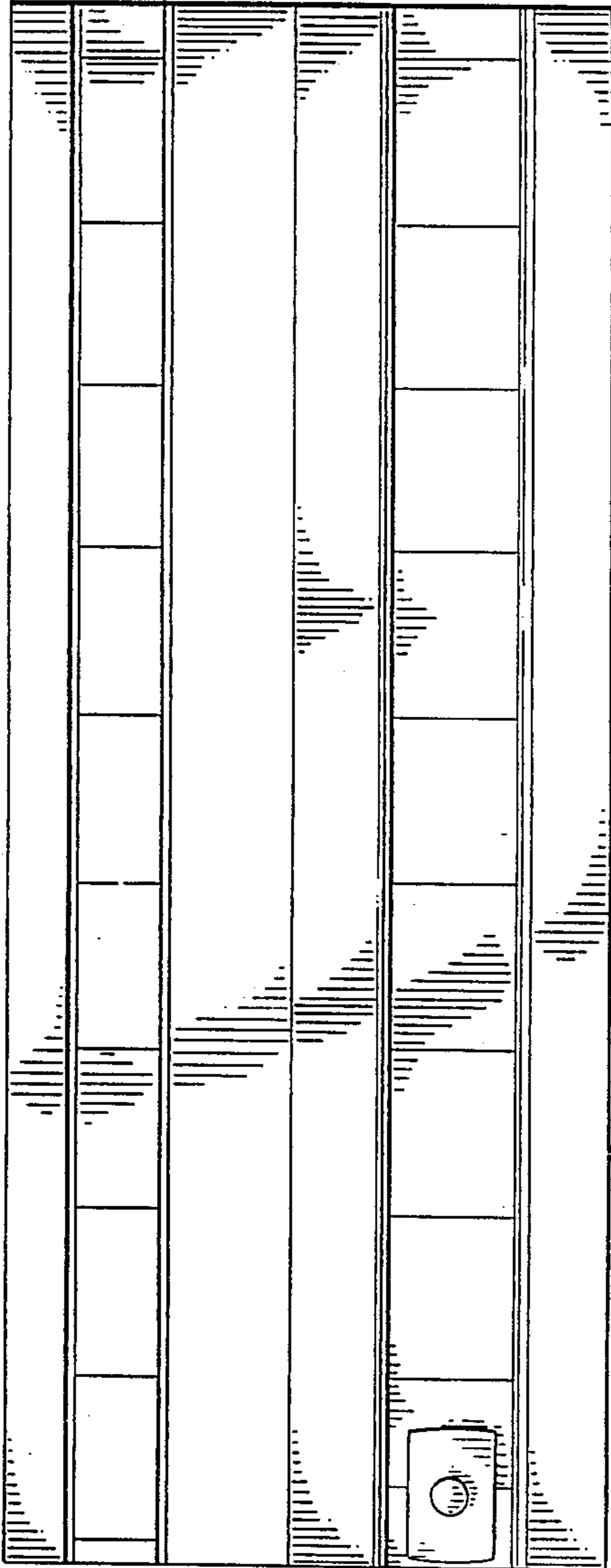


Fig. 3

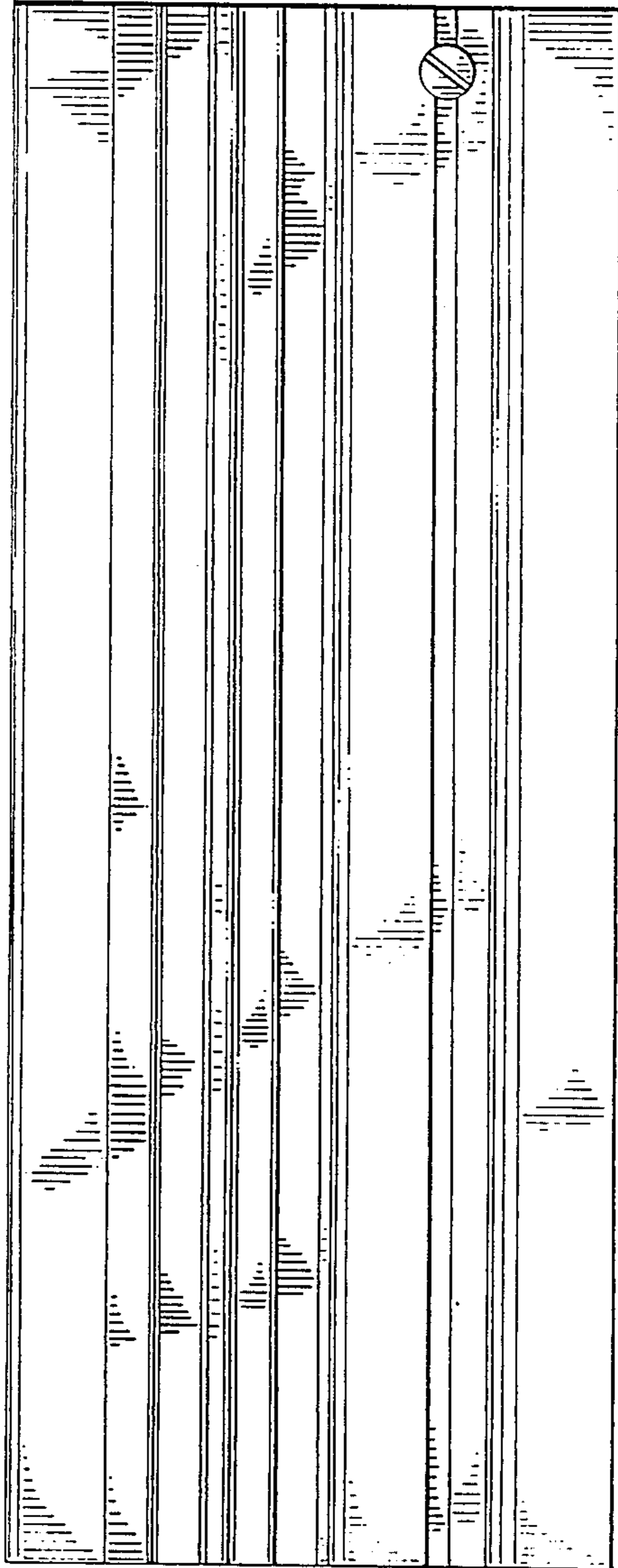


Fig. 4

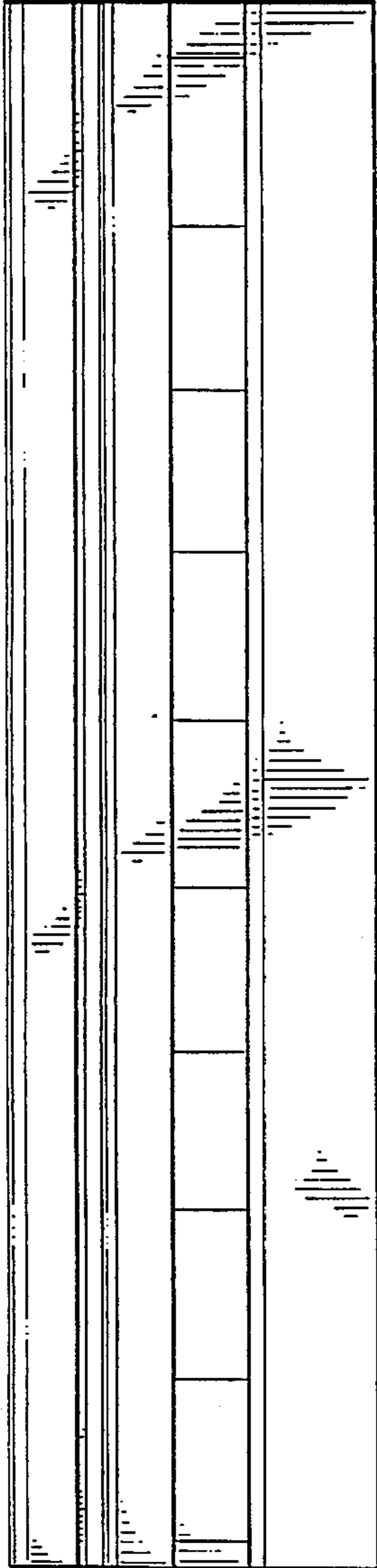


Fig. 5

