

United States Patent [19]

Kuroki et al.

[11] Patent Number: **Des. 301,888**

[45] Date of Patent: **** Jun. 27, 1989**

[54] SEWING MACHINE

[75] Inventors: **Nobufusa Kuroki, Machida; Shigeru Sato, Hachioji, both of Japan**

[73] Assignee: **Janome Sewing Machine Co., Ltd., Tokyo, Japan**

[*] Notice: The portion of the term of this patent subsequent to May 12, 2001 has been disclaimed.

[**] Term: **14 Years**

[21] Appl. No.: **880,002**

[22] Filed: **Jun. 30, 1986**

[52] U.S. Cl. **D15/69**

[58] Field of Search **D15/66-77; 112/258-261**

[56] References Cited

U.S. PATENT DOCUMENTS

D. 289,654 5/1987 Uchida D15/69

D. 289,767 5/1987 Kuroki D15/69

Primary Examiner—Melvin B. Feifer

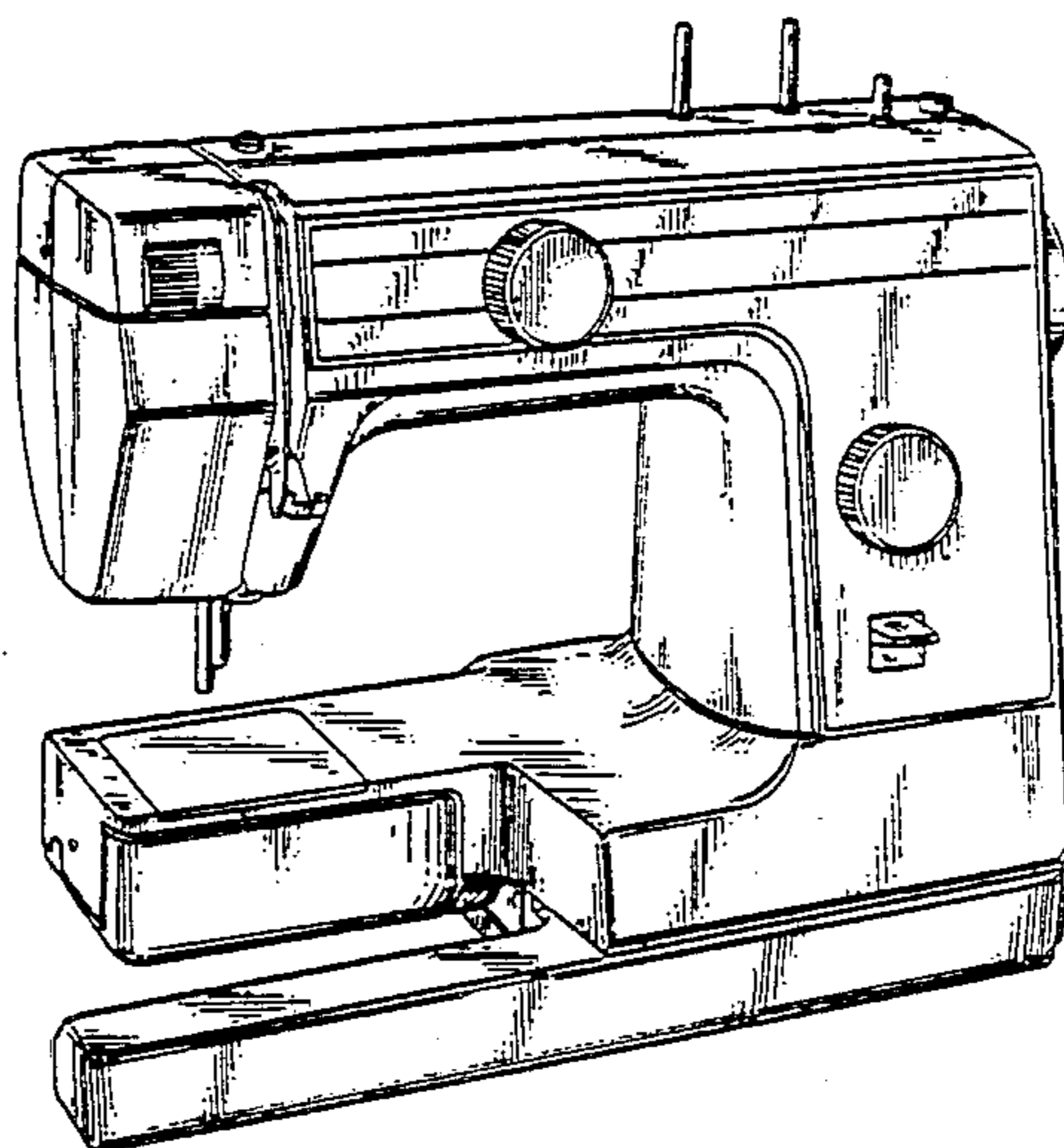
Attorney, Agent, or Firm—Michael J. Striker

[57] CLAIM

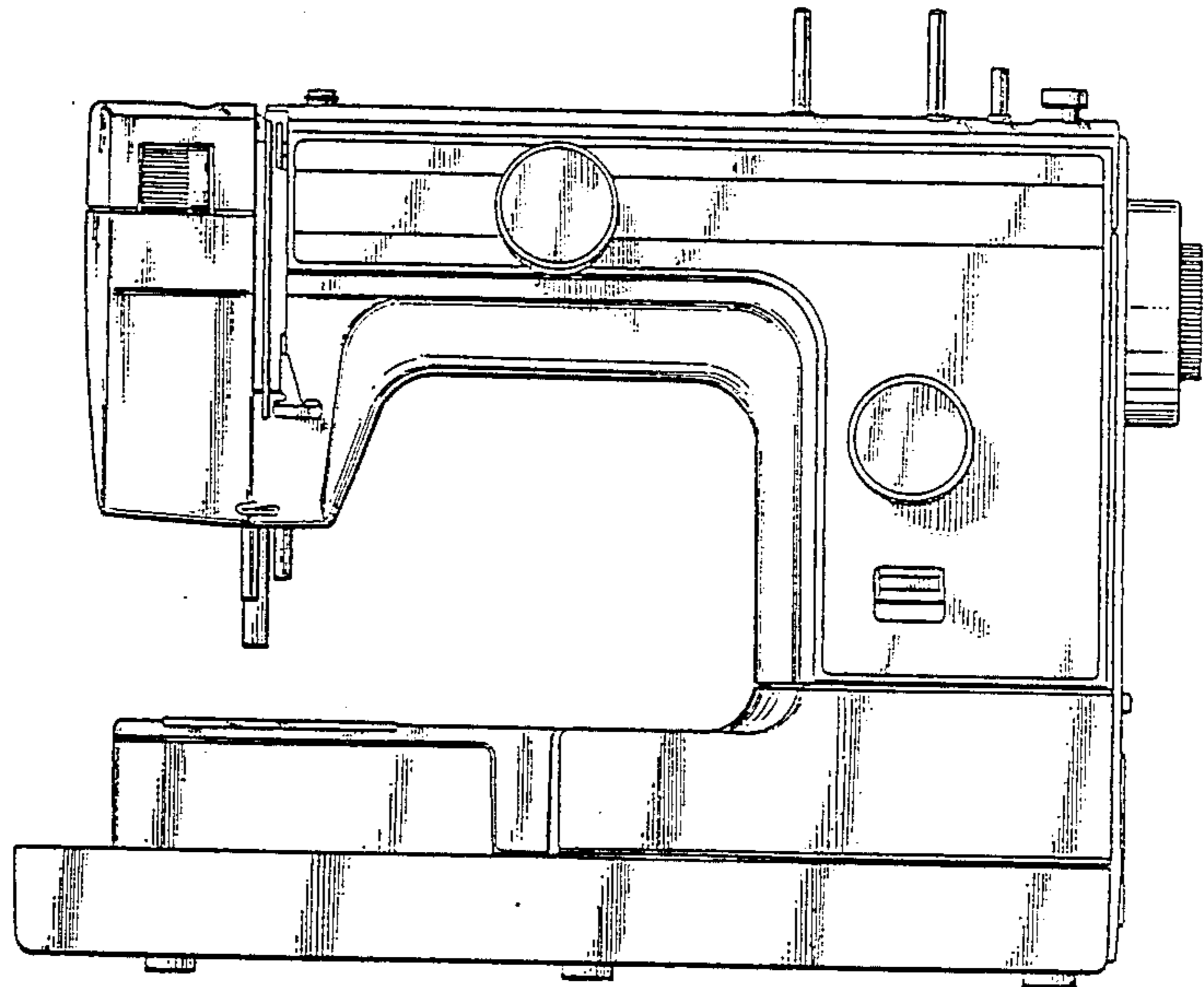
The ornamental design for a sewing machine, as shown and described.

DESCRIPTION

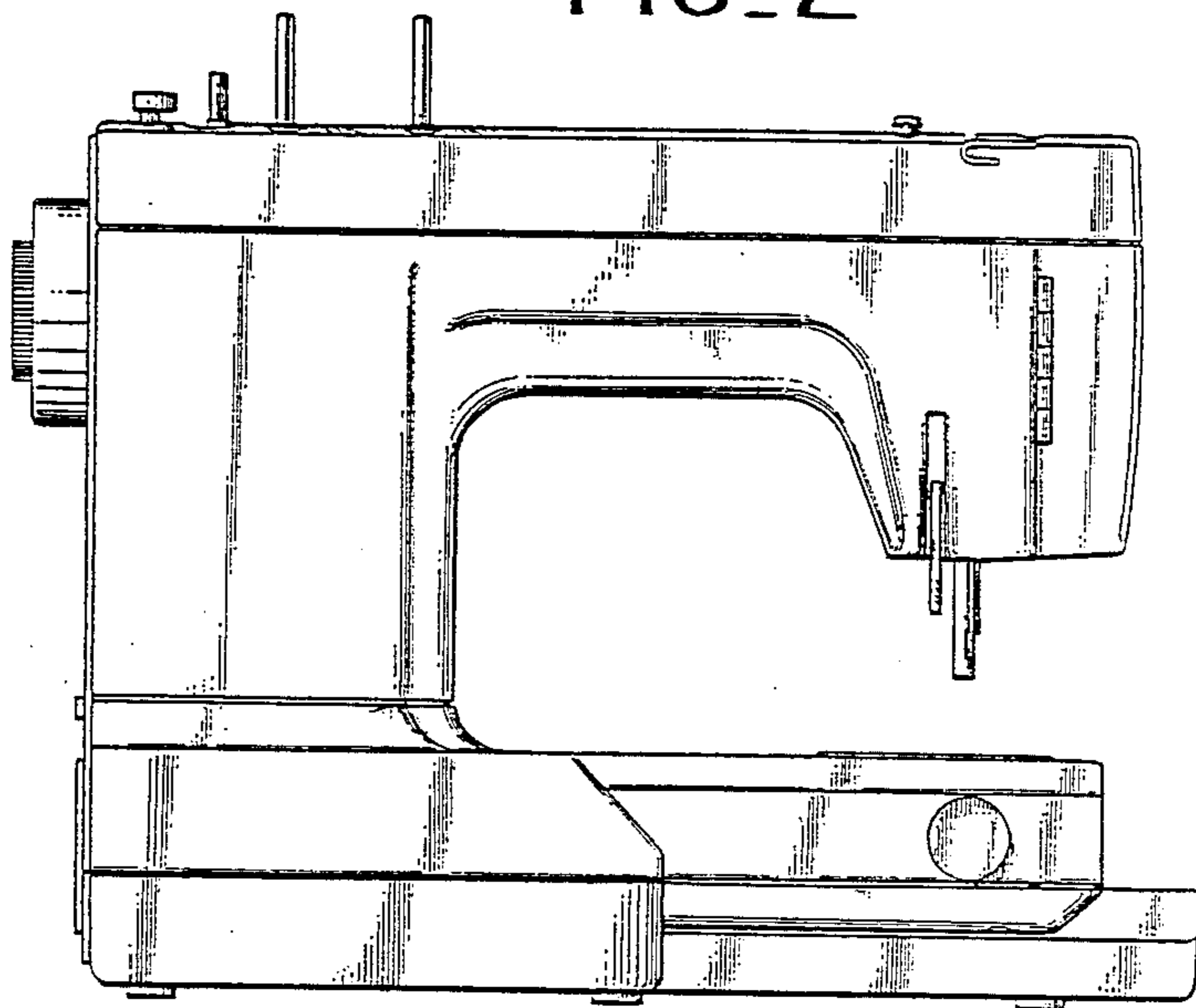
FIG. 1 is a front elevational view of our new design;
FIG. 2 is a rear elevational view thereof;
FIG. 3 is a left side elevational view thereof;
FIG. 4 is a right side elevational view thereof;
FIG. 5 is a top plan view thereof;
FIG. 6 is a bottom plan view thereof;
FIG. 7 is a perspective thereof.



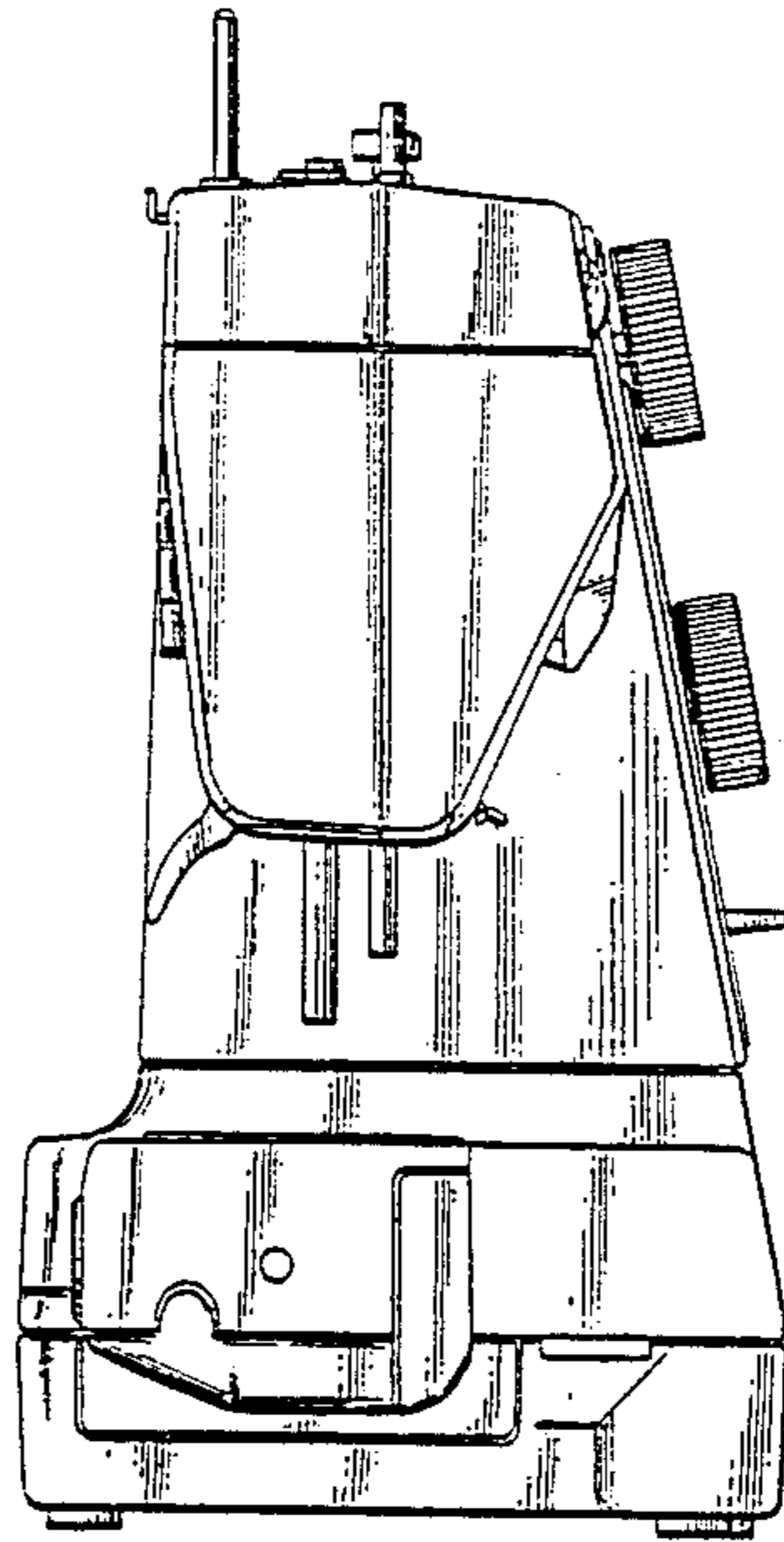
FIG_1



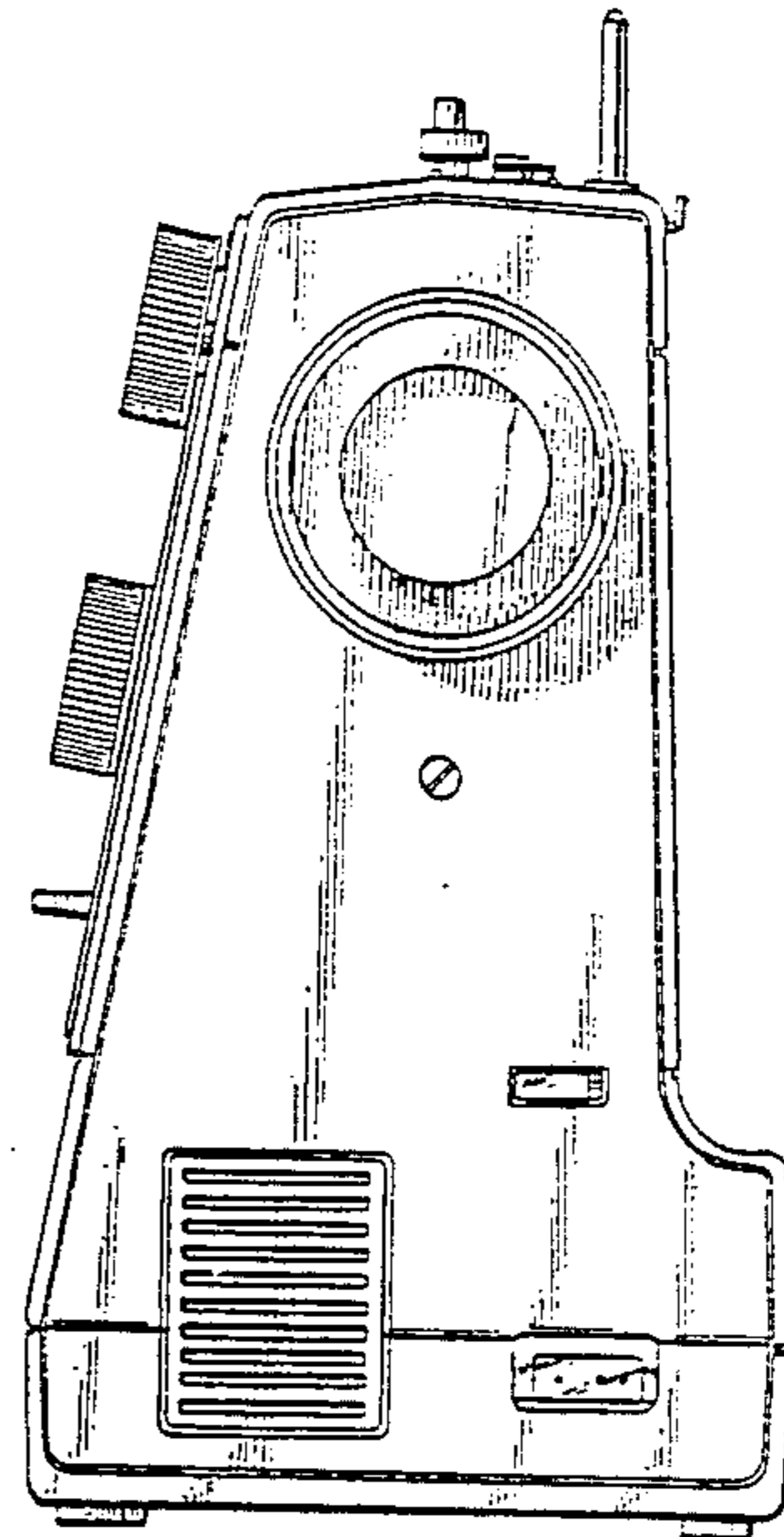
FIG_2



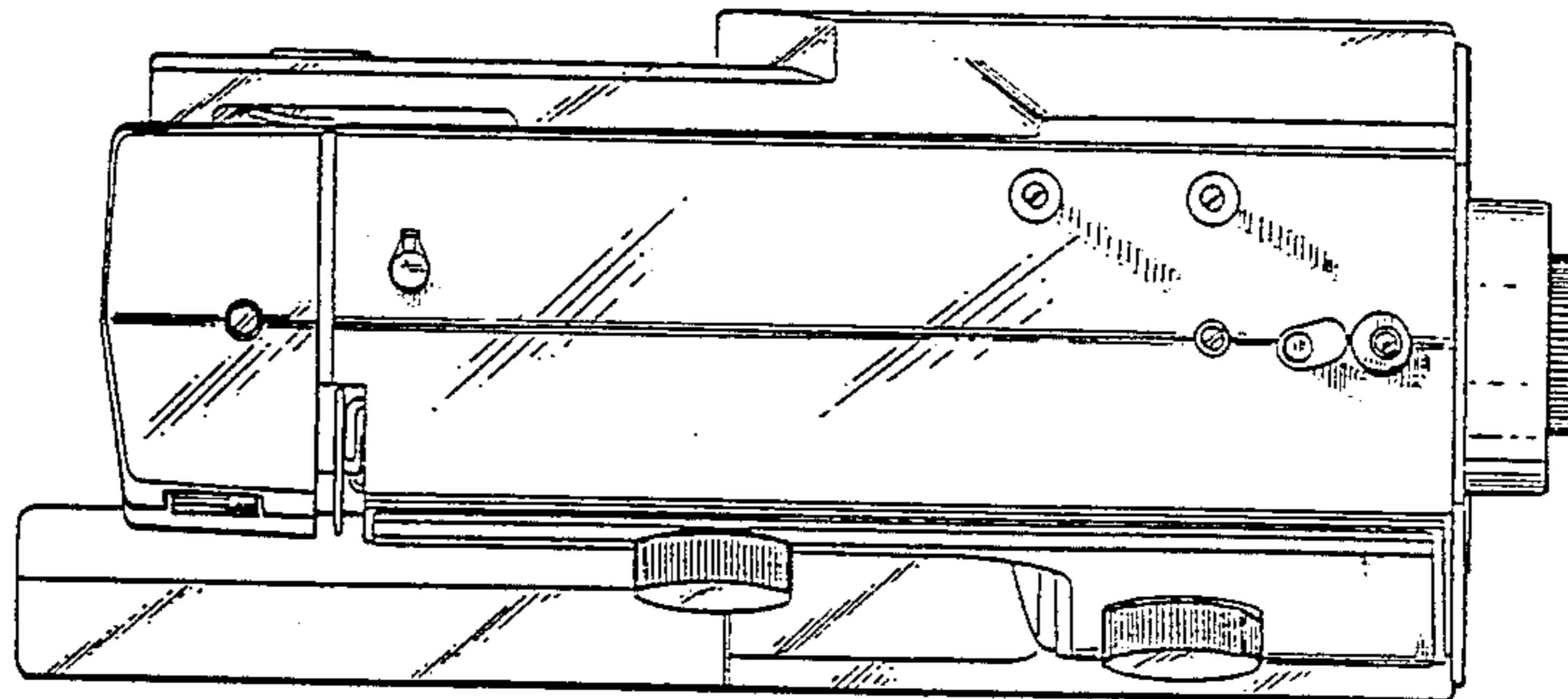
FIG_3



FIG_4



FIG_5



FIG_6

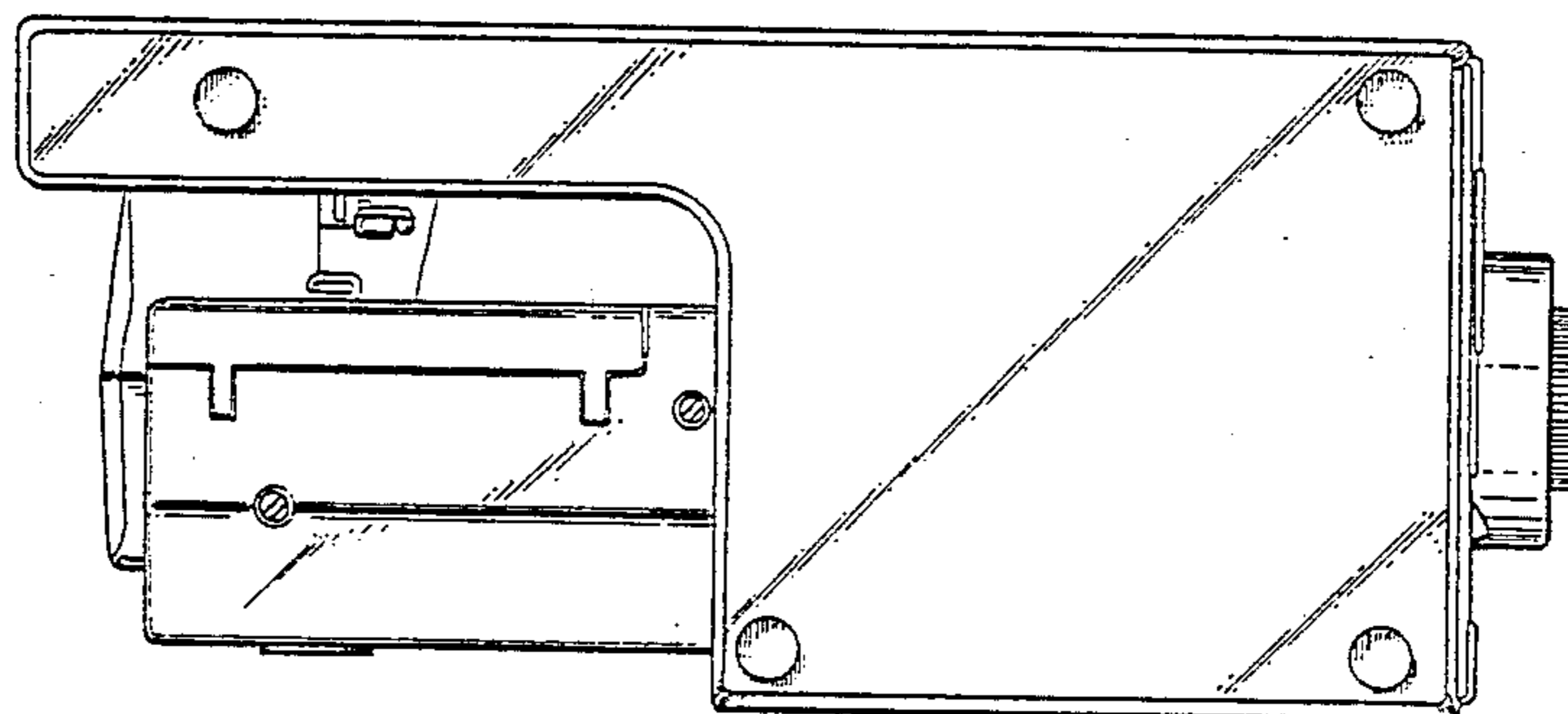


FIG. 7

