

[54] AIR COMPRESSOR OR SIMILAR ARTICLE

[75] Inventors: Scott D. Price; Robert I. Somers, both of Raleigh, N.C.

[73] Assignee: Black & Decker Inc., Newark, Del.

[**] Term: 14 Years

[21] Appl. No.: 792,354

[22] Filed: Oct. 29, 1985

[52] U.S. Cl. D15/7

[58] Field of Search D15/7-9; 417/229, 234, 321, 410-411, 572

[56] References Cited

U.S. PATENT DOCUMENTS

- D. 273,789 5/1984 Davis D15/9
- D. 286,782 11/1986 Somers D15/7

OTHER PUBLICATIONS

Popular Mechanics, Jun. 1983, p. 42, "Super Pump Compressor".

Black & Decker 1982 Car Care Catalog—p. 3, No. 9516, 12 Volt Inflator.

Asian Sources Hardwares, May 1985—p. 85, No.

12-143, Mini Air Compressor, p. 174, Model DC 227, Air Compressor.

Primary Examiner—Wallace R. Burke

Assistant Examiner—Brian N. Vinson

Attorney, Agent, or Firm—Dennis A. Dearing; Edward D. Murphy

[57] CLAIM

The ornamental design for an air compressor or similar article, as shown and described.

DESCRIPTION

FIG. 1 is a top, front and right side perspective view of an air compressor showing our new design;

FIG. 2 is a top, rear and left side perspective view thereof;

FIG. 3 is a front elevational view thereof;

FIG. 4 is a rear elevational view thereof;

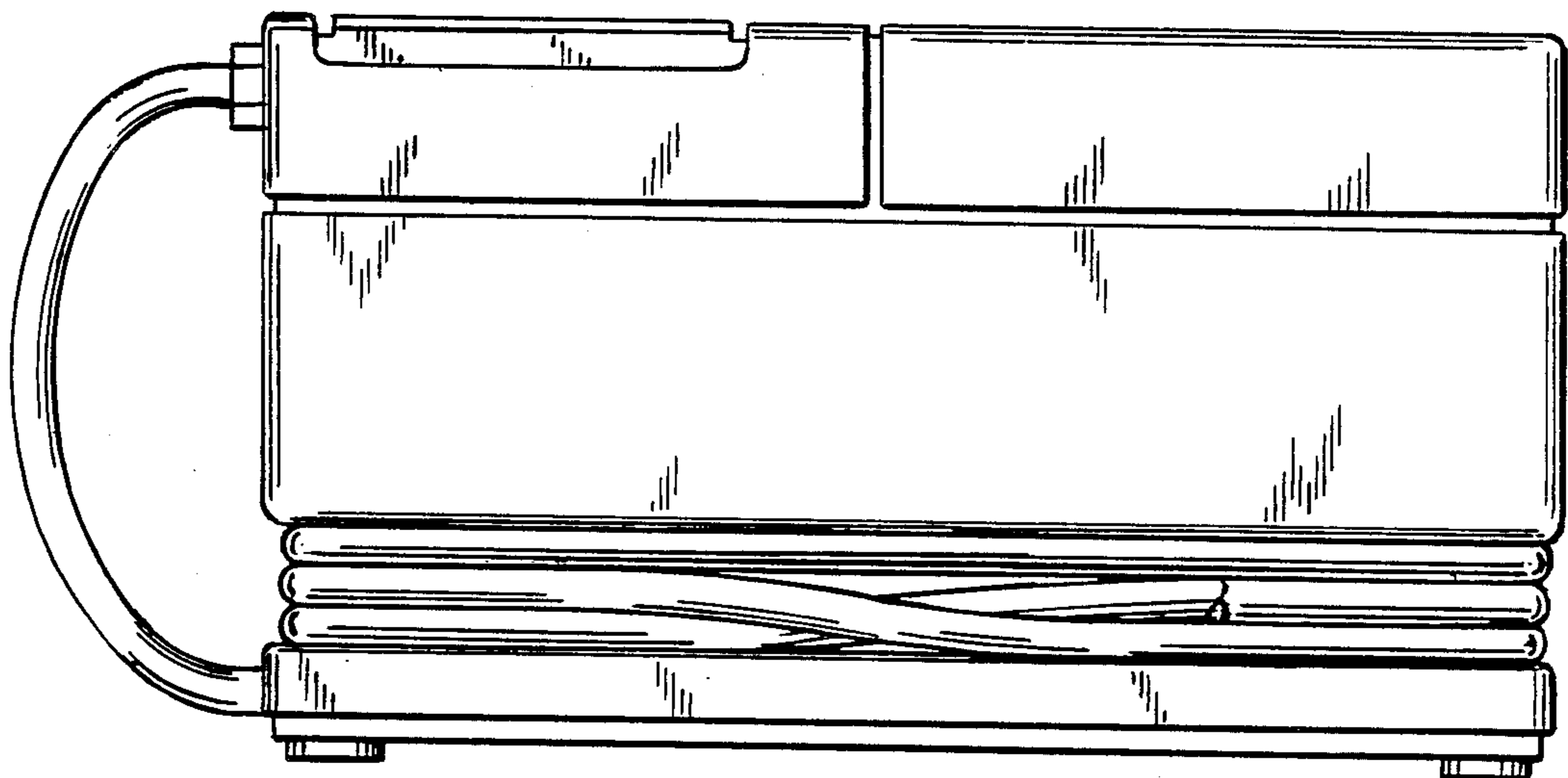
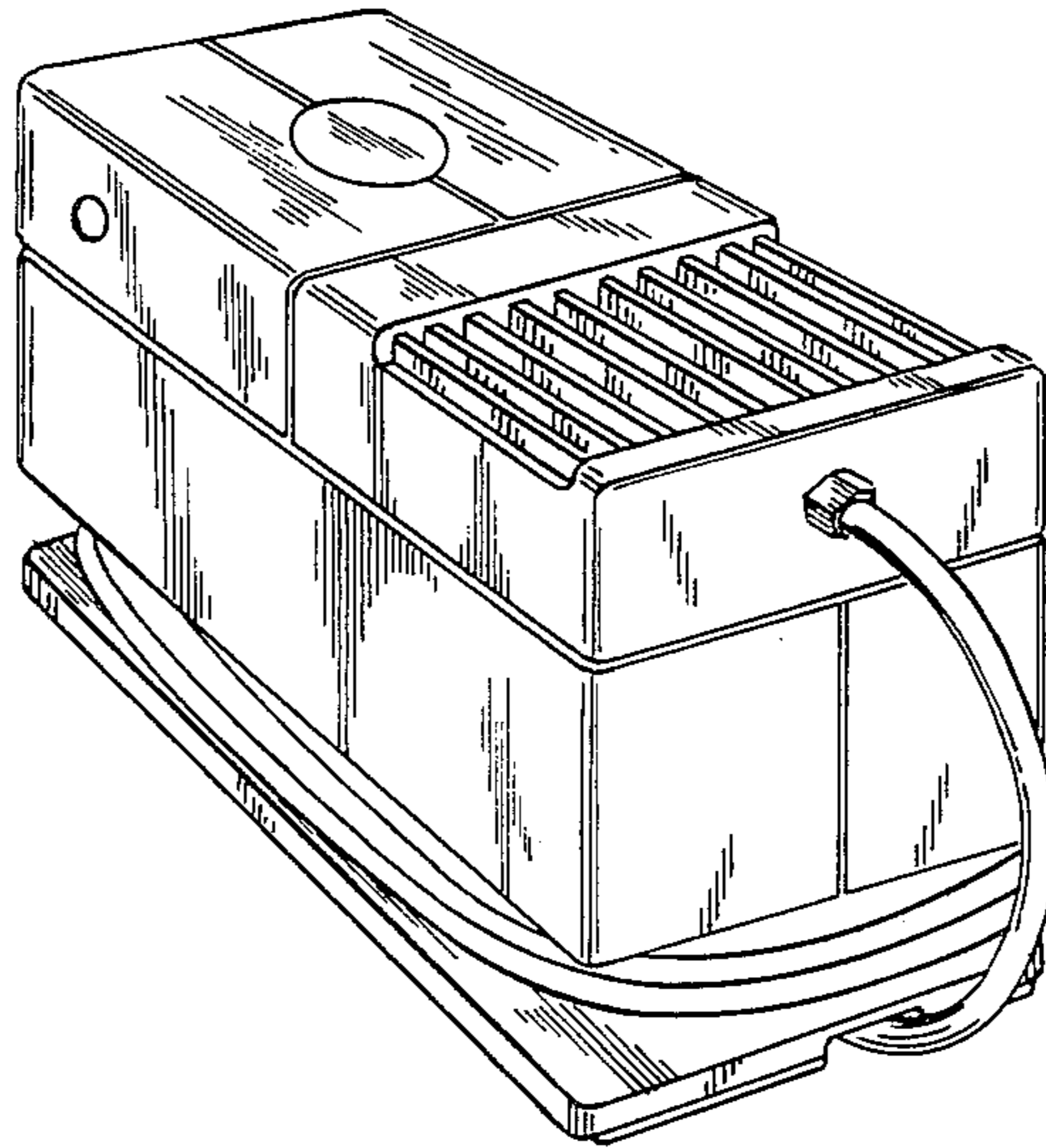
FIG. 5 is a left side elevational view thereof;

FIG. 6 is a right side elevational view thereof;

FIG. 7 is a top plan view thereof;

FIG. 8 is a bottom view thereof; and

FIG. 9 is a front elevational view thereof with the air hose and electric cord shown broken away and partially omitted for clarity of illustration.



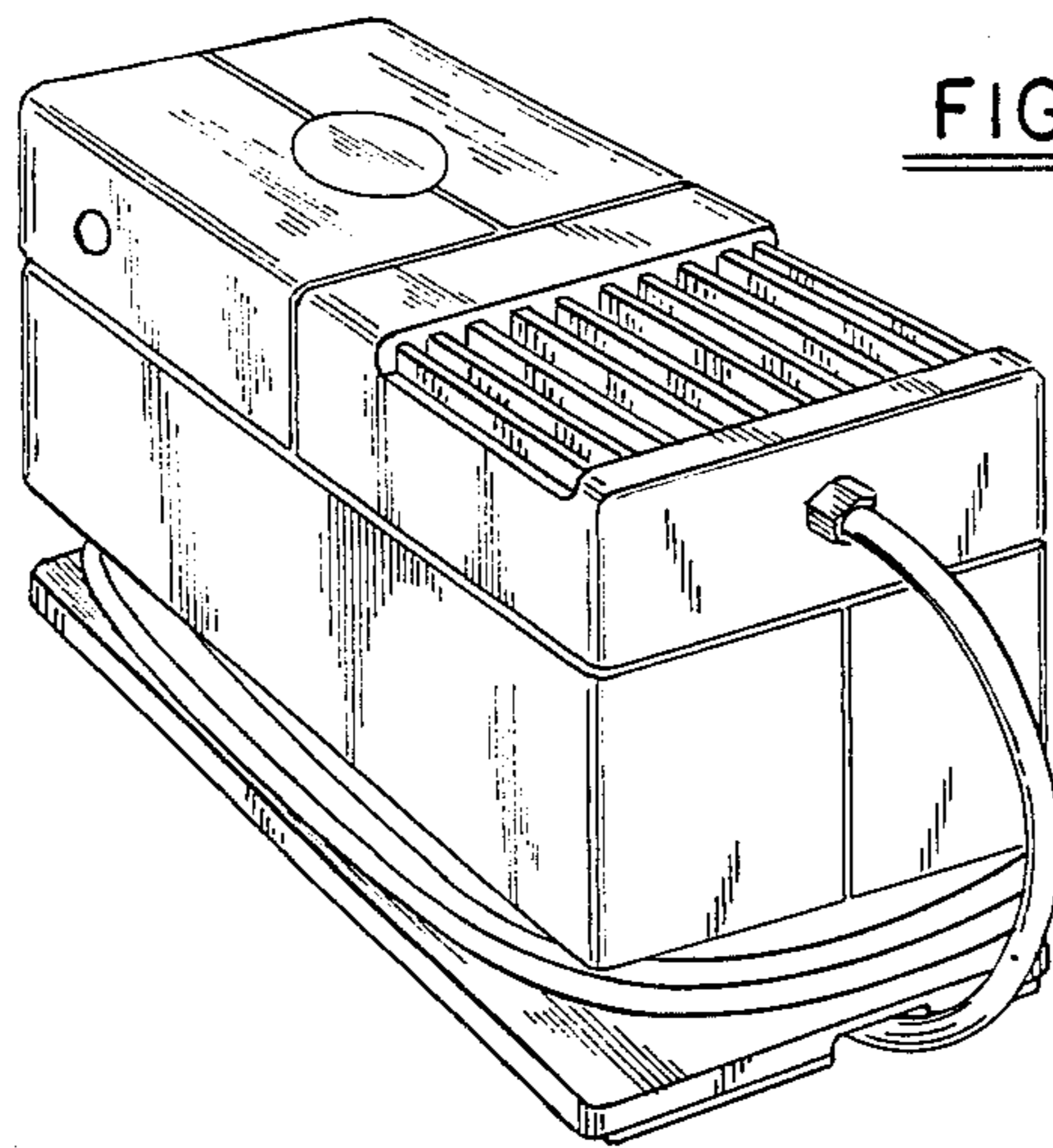


FIG. 1

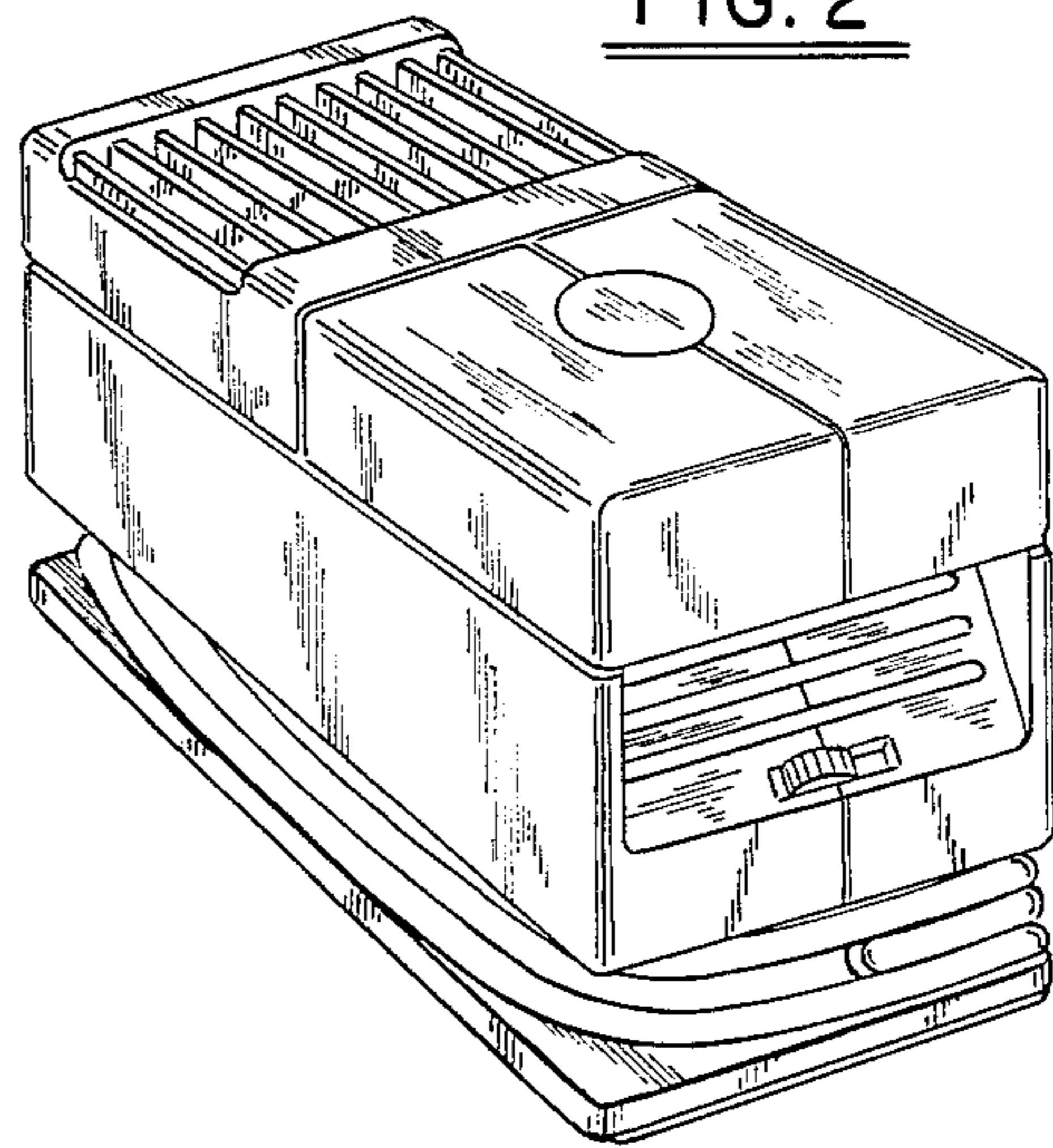


FIG. 2

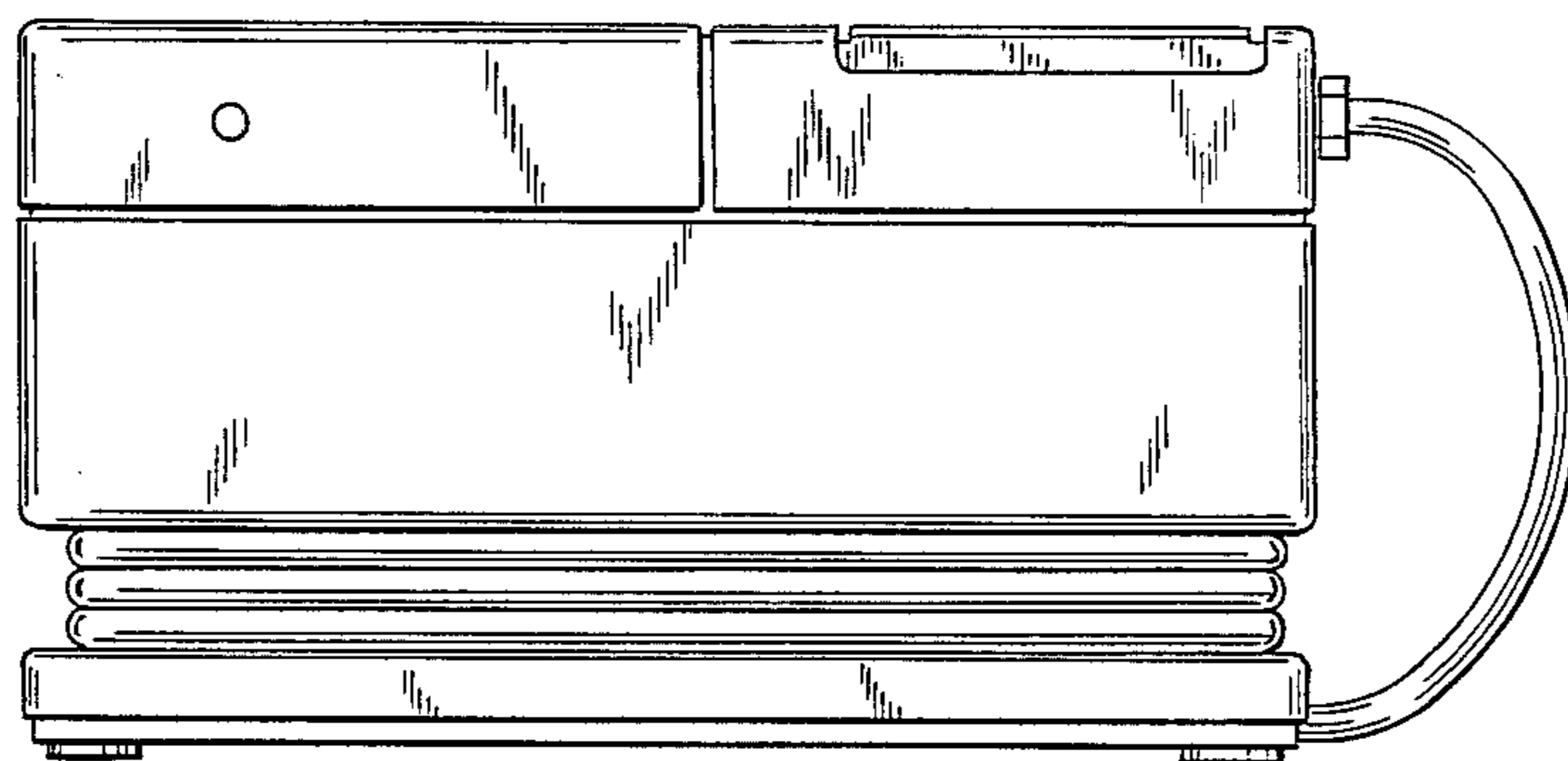


FIG. 3

FIG. 4

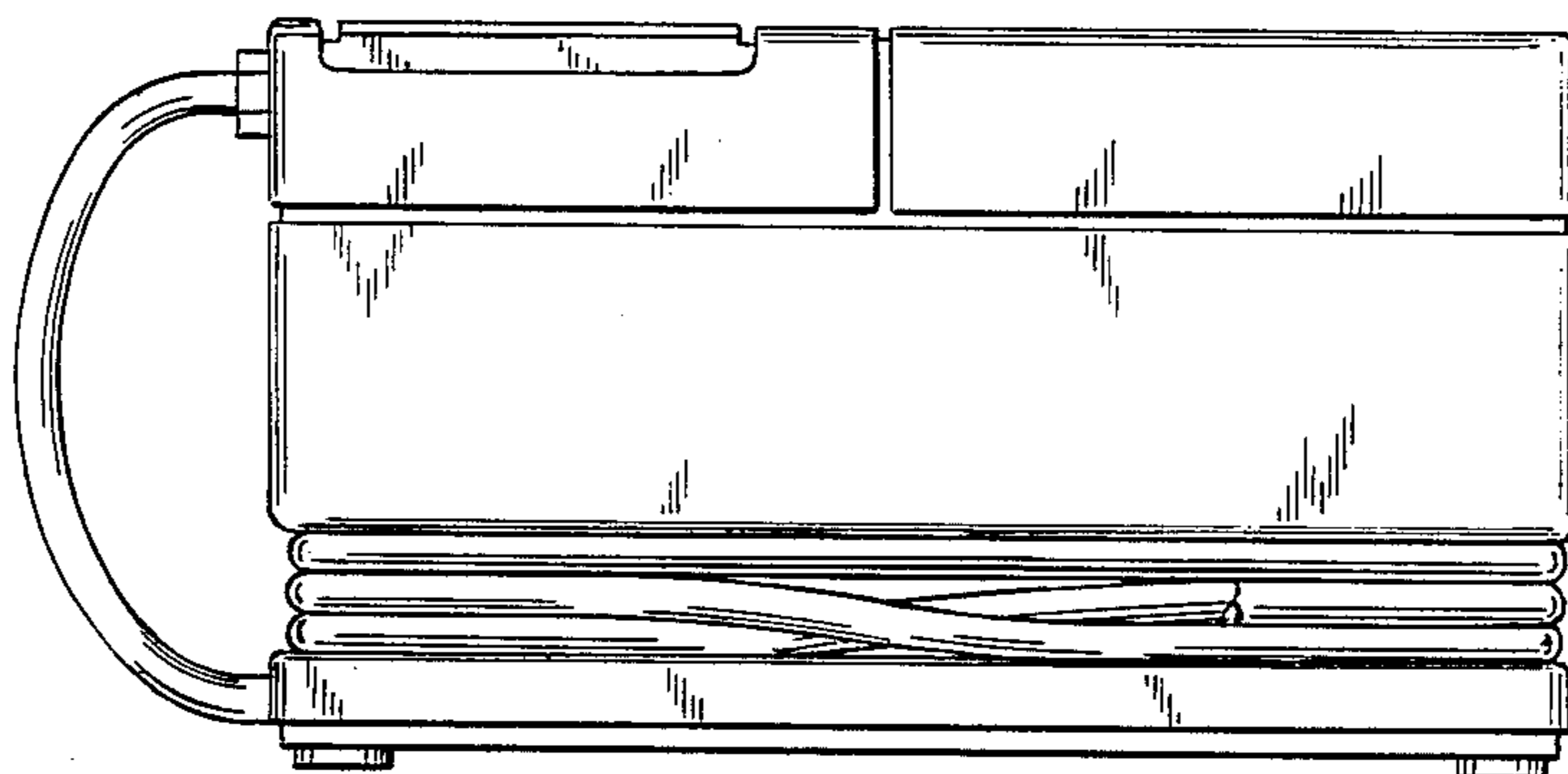


FIG. 5

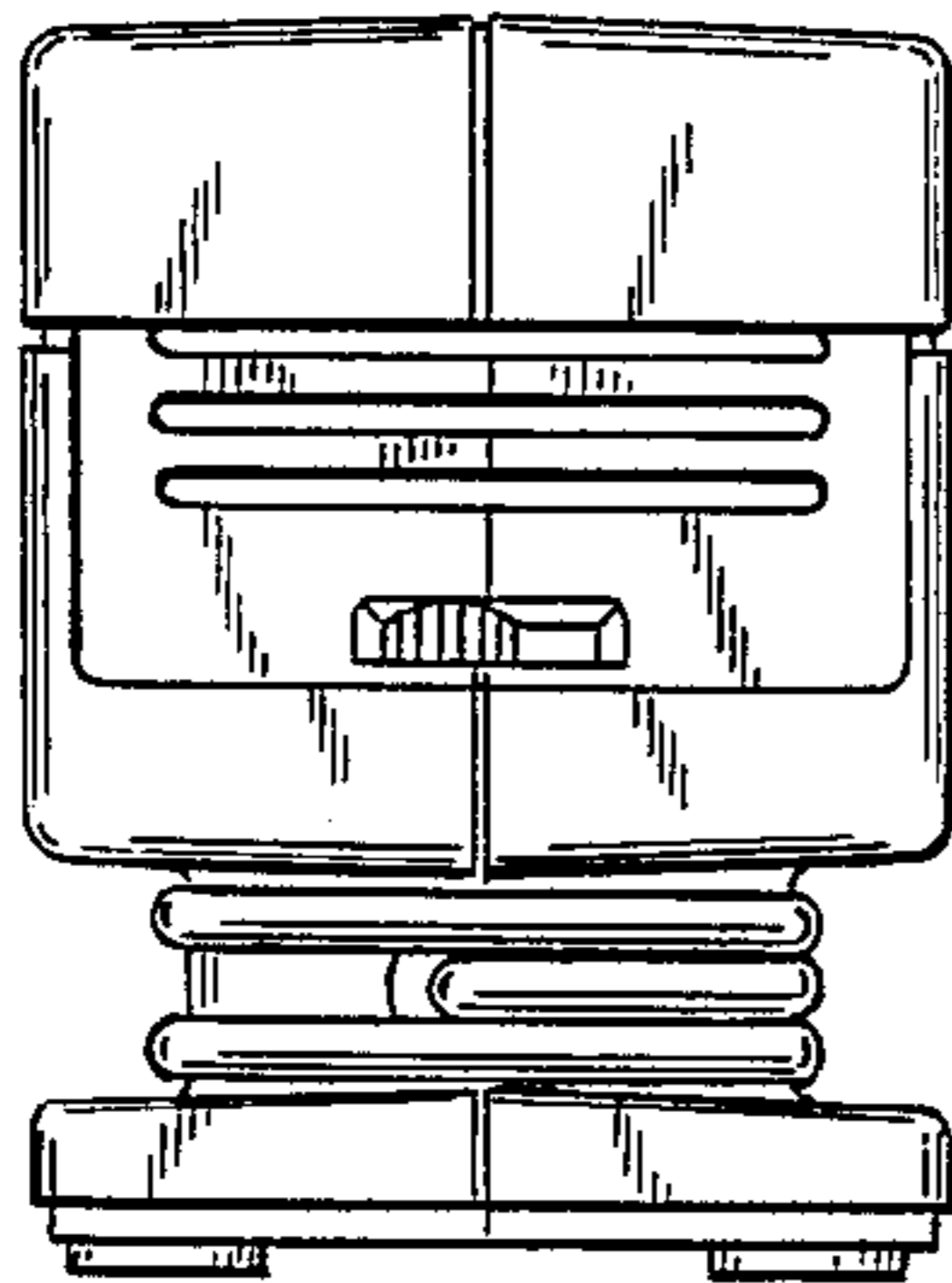


FIG. 6

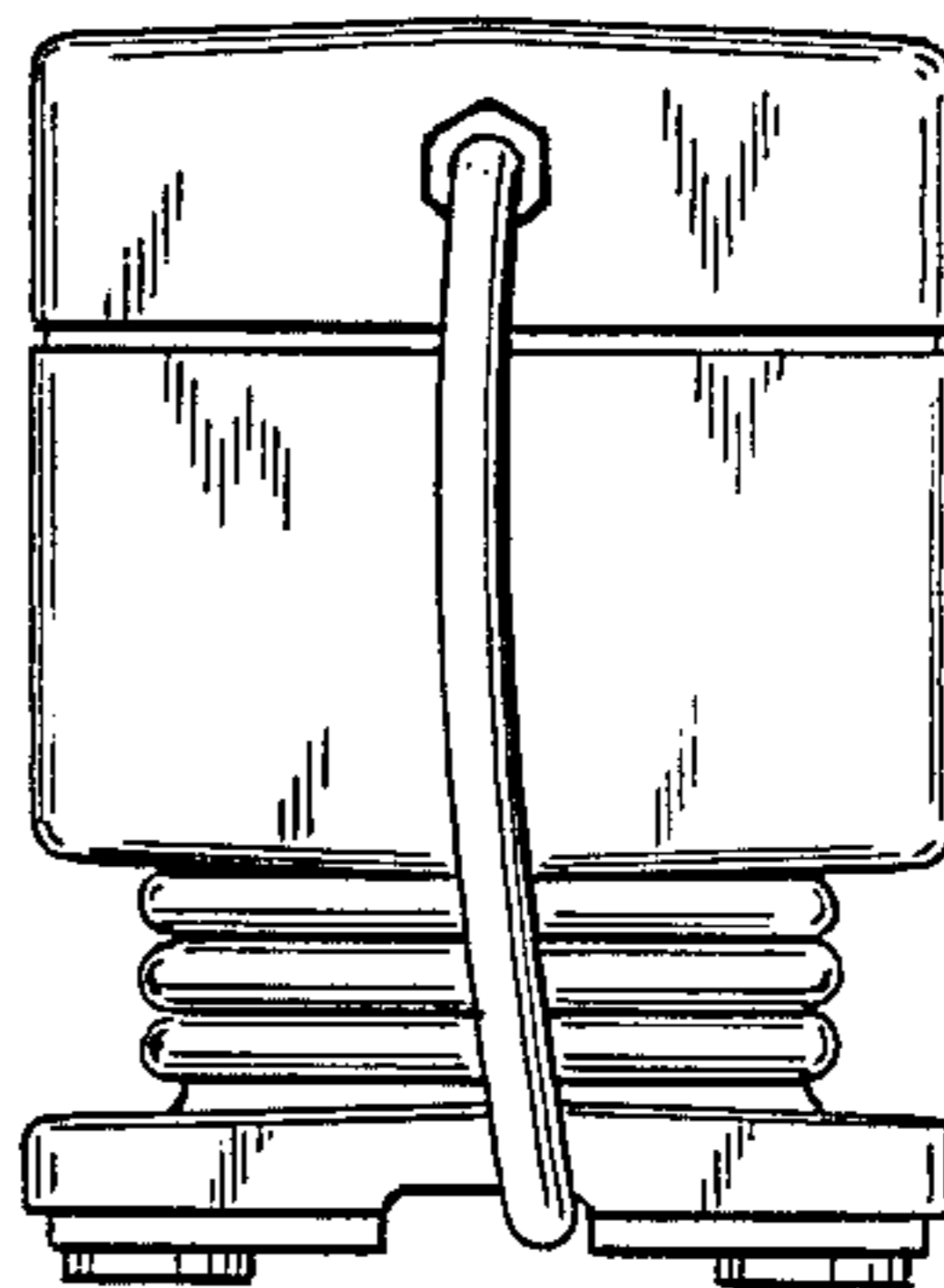


FIG. 7

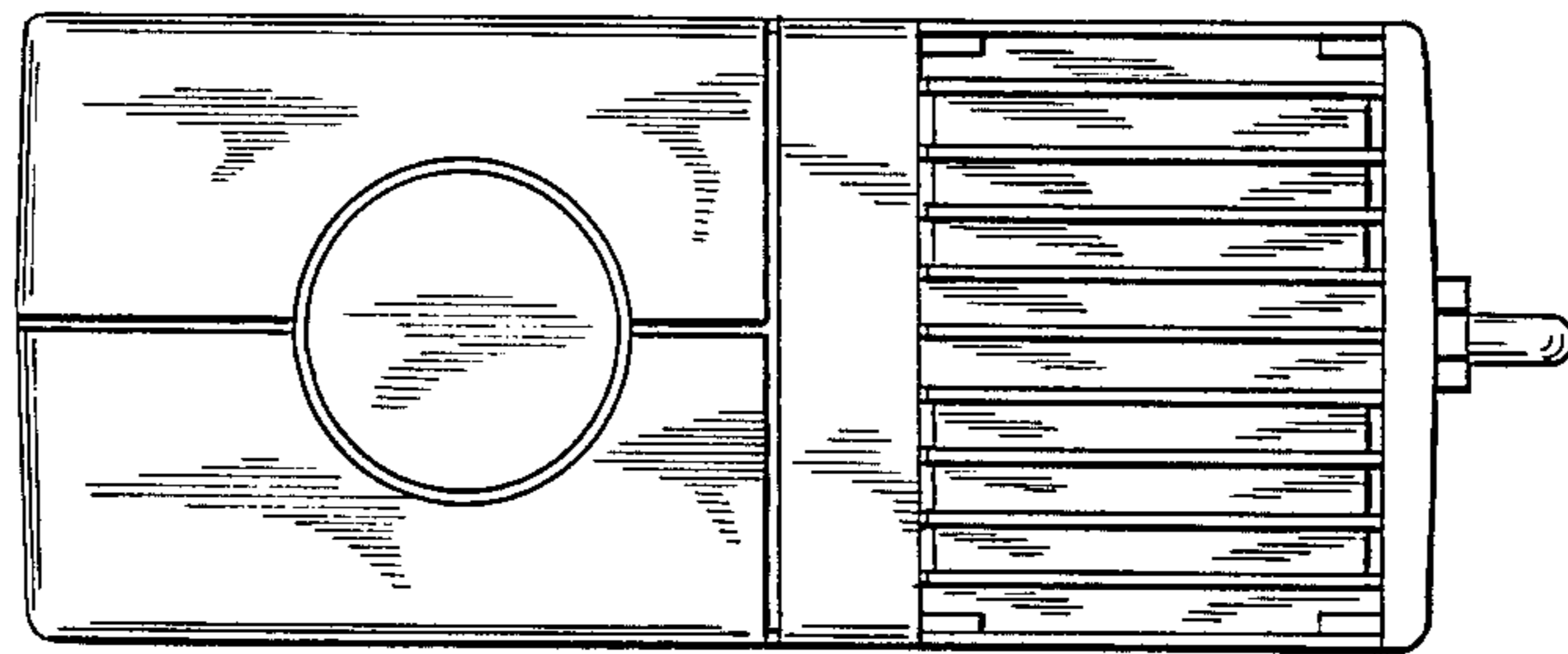


FIG. 8

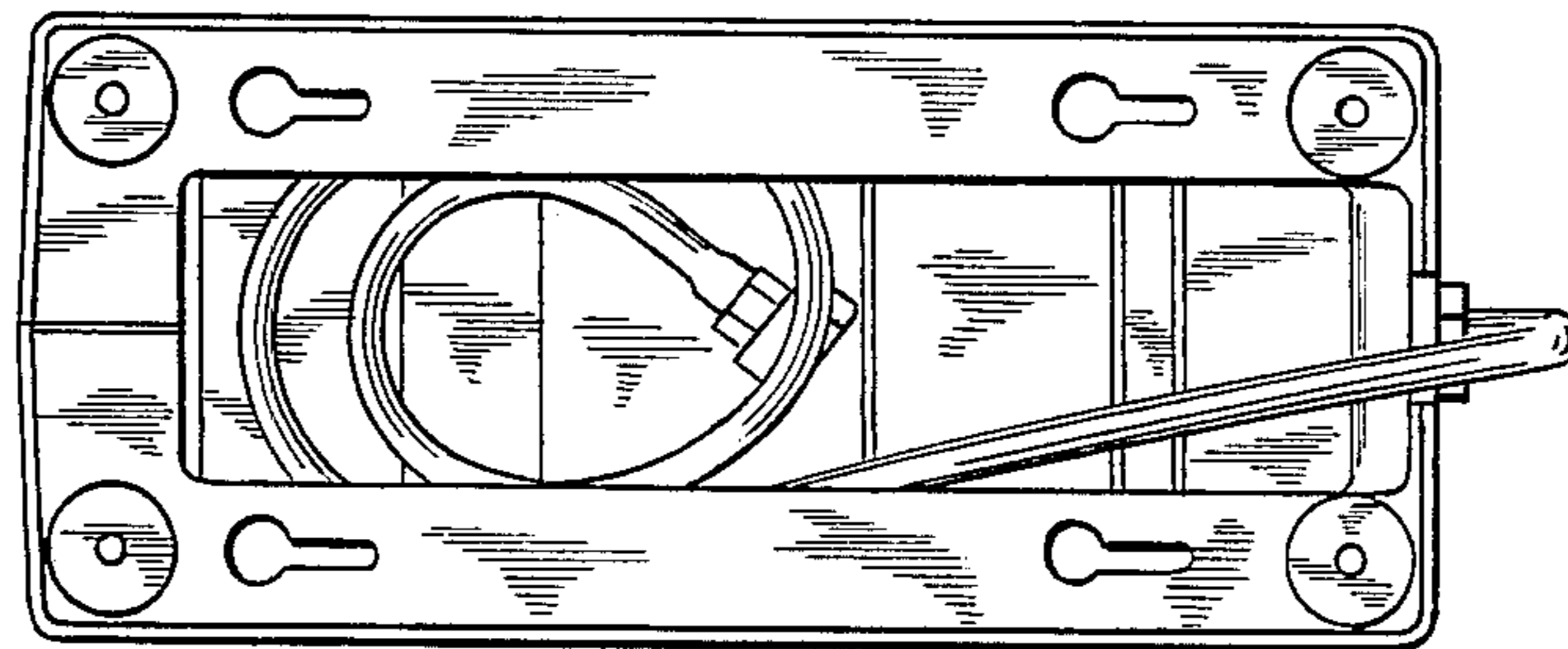


FIG. 9

