

[54] CRADLE FOR A TELEPHONE HANDSET OR SIMILAR ARTICLE

[75] Inventors: Rudolph W. Krolopp, Barrington Hills, Ill.; Duke Larsen, Lake Geneva, Wis.

[73] Assignee: Motorola, Inc., Schaumburg, Ill.

[**] Term: 14 Years

[21] Appl. No.: 129,611

[22] Filed: Dec. 7, 1987

[52] U.S. Cl. D14/142; D14/248

[58] Field of Search D14/60, 53, 62; 379/455, 440, 419, 435, 436, 434

[56] References Cited

U.S. PATENT DOCUMENTS

- D. 157,849 3/1950 Dreyfuss 379/455 X
- D. 184,307 1/1959 Dreyfuss et al. D14/53
- D. 208,702 9/1967 Tiwi D14/53
- D. 211,737 7/1968 Dreyfuss D14/53 X
- D. 246,043 10/1977 Taylor D14/53
- D. 246,103 10/1977 Taylor D14/53
- D. 248,758 8/1978 Krolopp et al. D14/53
- D. 248,950 8/1978 Vitacco 379/455
- D. 249,795 10/1978 Brown D14/60
- D. 252,752 8/1979 Fukushima et al. D14/53

- D. 260,518 9/1981 Larson D14/53
- D. 262,627 1/1982 Genao et al. D14/60
- D. 264,079 4/1982 Peterson D14/60 X
- D. 265,733 8/1982 Fukushima et al. D14/53
- D. 278,708 5/1985 Taylor et al. D14/60
- D. 281,687 12/1985 Sakaw D14/60 X
- D. 287,493 12/1986 Young D14/60 X
- D. 289,393 4/1987 Lindahl D14/53 X
- D. 294,021 2/1988 Jamison D14/62 X
- D. 297,009 8/1988 Grambush et al. D14/60 X
- 4,723,281 2/1988 Pecker et al. 379/440 X

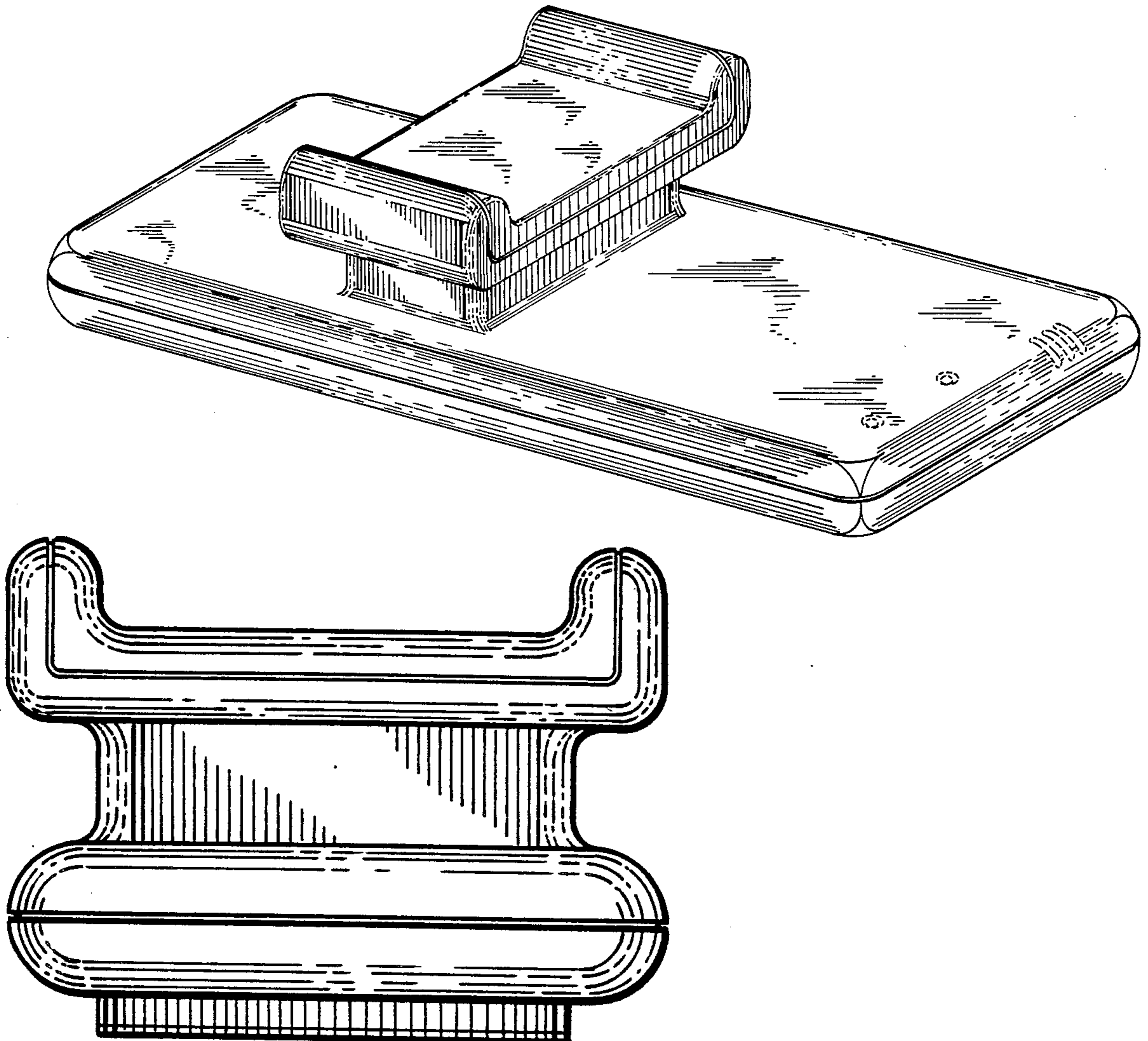
Primary Examiner—Horace B. Fay, Jr.
Attorney, Agent, or Firm—Rolland R. Hackbart

[57] CLAIM

The ornamental design for cradle for a telephone handset or similar article, as shown and described.

DESCRIPTION

FIG. 1 is a front, top, and left side perspective view of a cradle for a telephone handset or similar article showing our new design; FIG. 2 is a right side elevational view thereof, the side opposite being a mirror image; FIG. 3 is a bottom plan view thereof; and FIG. 4 is a rear elevational view thereof. The broken line showing of apertures or the like in FIG. 1 is for illustrative purposes only and forms no part of the claimed design.



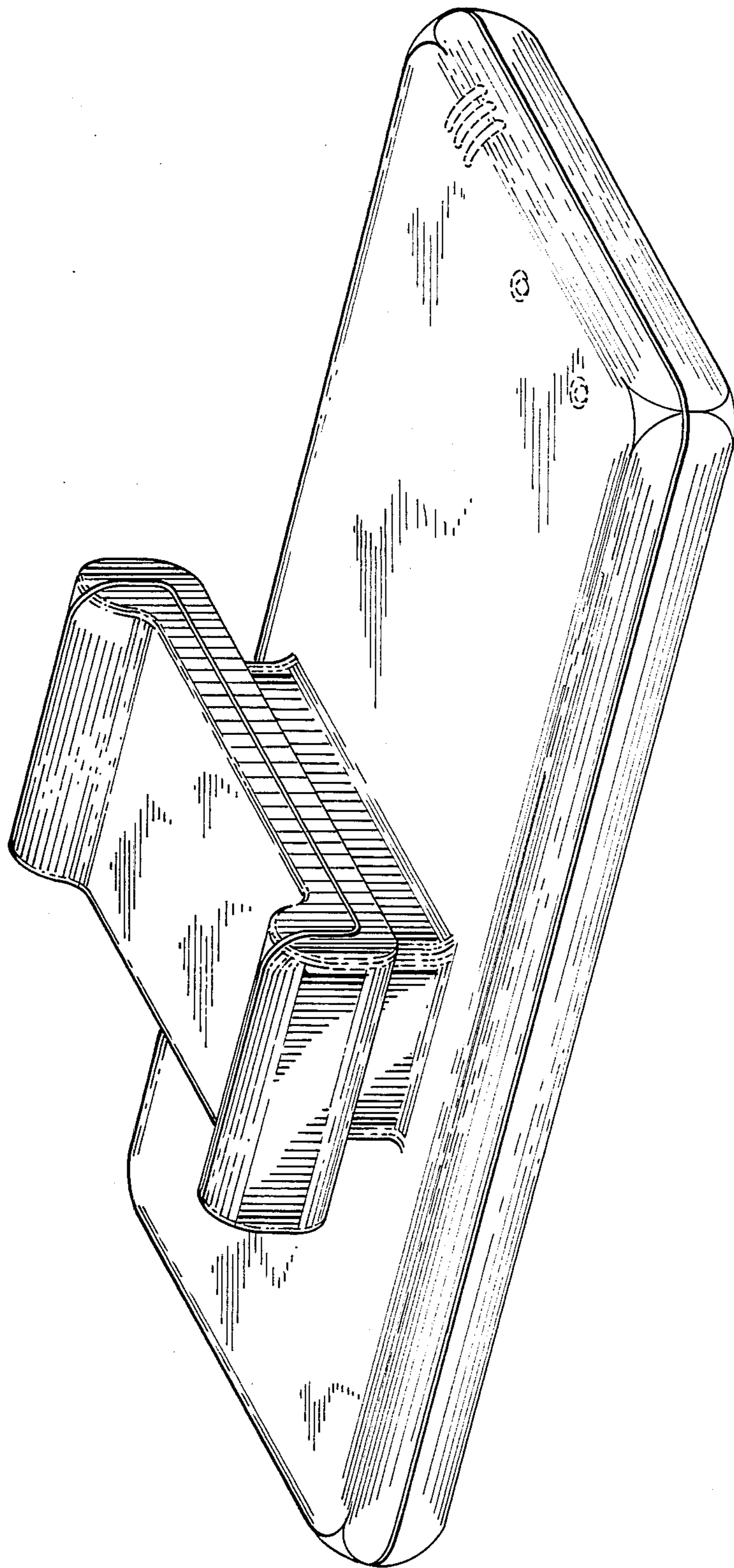


FIG. 1

FIG. 2

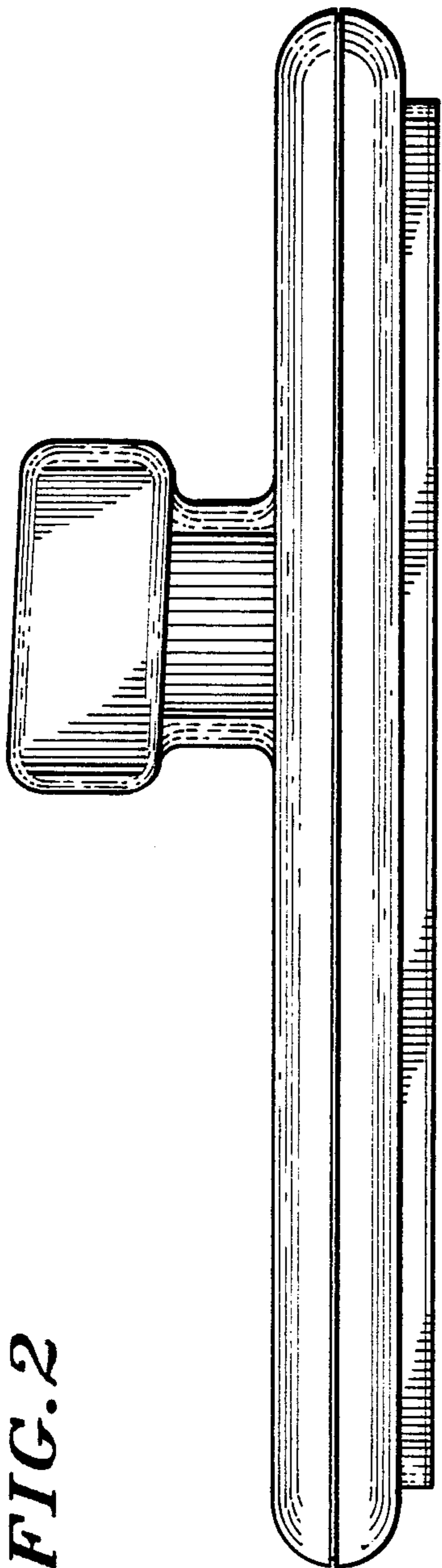


FIG. 3

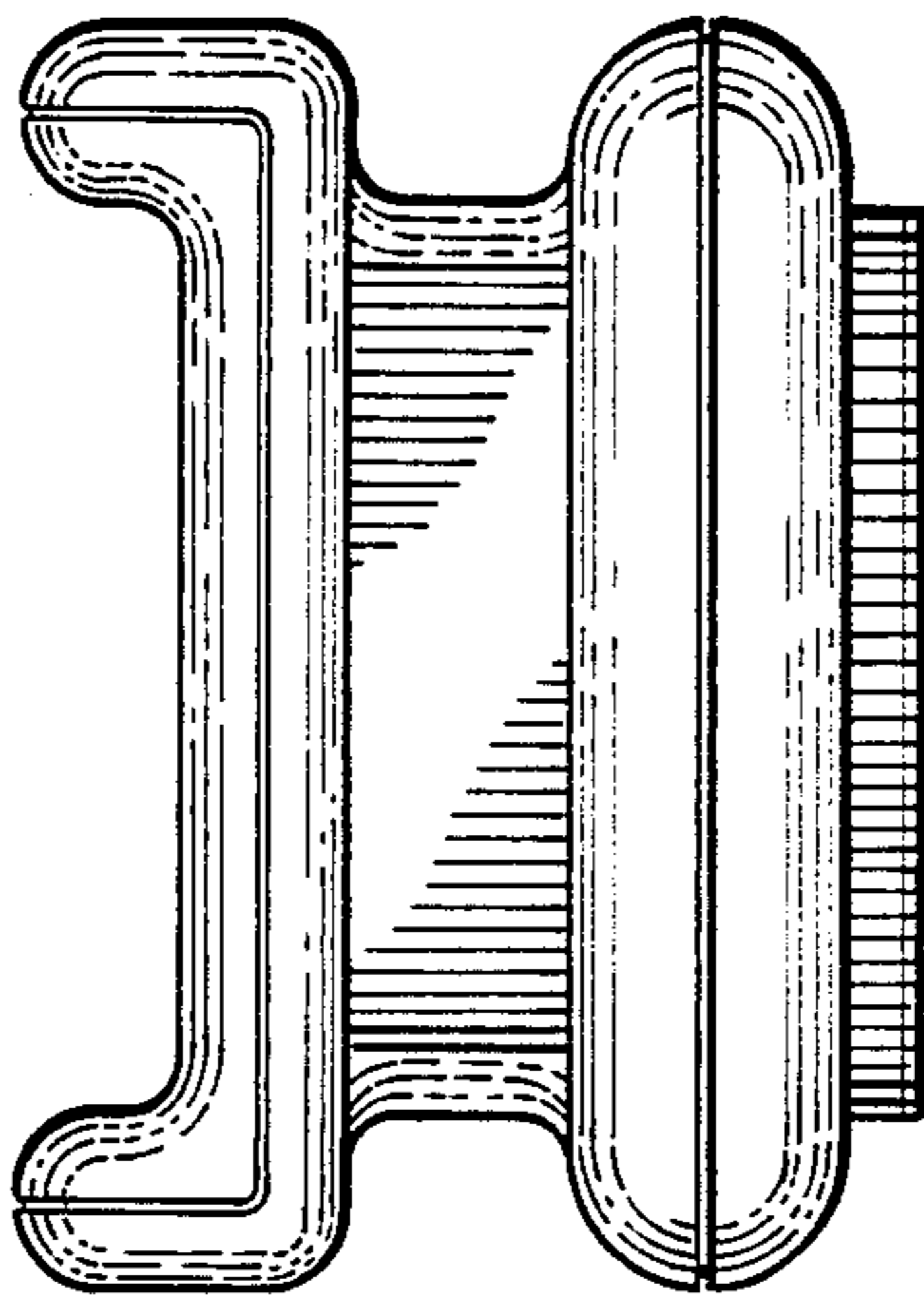
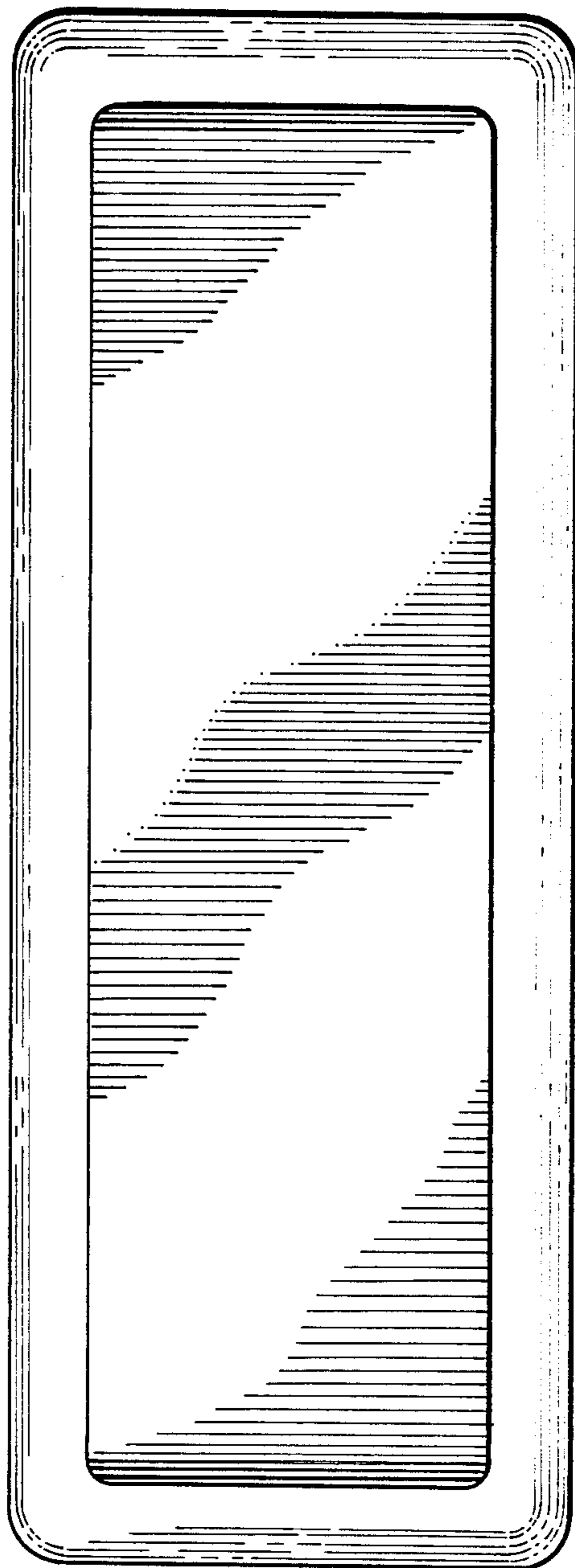


FIG. 4