

[54] FACSIMILE

D. 293,673 1/1988 Nishio D14/94
D. 295,284 4/1988 Kando D14/94

[75] Inventors: Yoshihisa Ooie; Masakazu Sugiyama,
both of Osaka, Japan

[73] Assignee: Sharp Corporation, Osaka, Japan

[**] Term: 14 Years

[21] Appl. No.: 872,761

[22] Filed: Jun. 10, 1986

[30] Foreign Application Priority Data

Dec. 18, 1985 [JP] Japan 60-52769

[52] U.S. Cl. D14/118

[58] Field of Search D14/94, 99, 52, 63;
D16/27, 30, 31, 32; 358/256, 286

[56] References Cited

U.S. PATENT DOCUMENTS

D. 267,948 2/1983 Kojima et al. D14/94
D. 268,581 4/1983 Kikuchi D14/94
D. 287,364 12/1986 Kando D14/94
D. 288,444 2/1987 Takeuchi et al. D14/94

OTHER PUBLICATIONS

Office Products Dealer, Mar. 1985, p. 37—bottom.

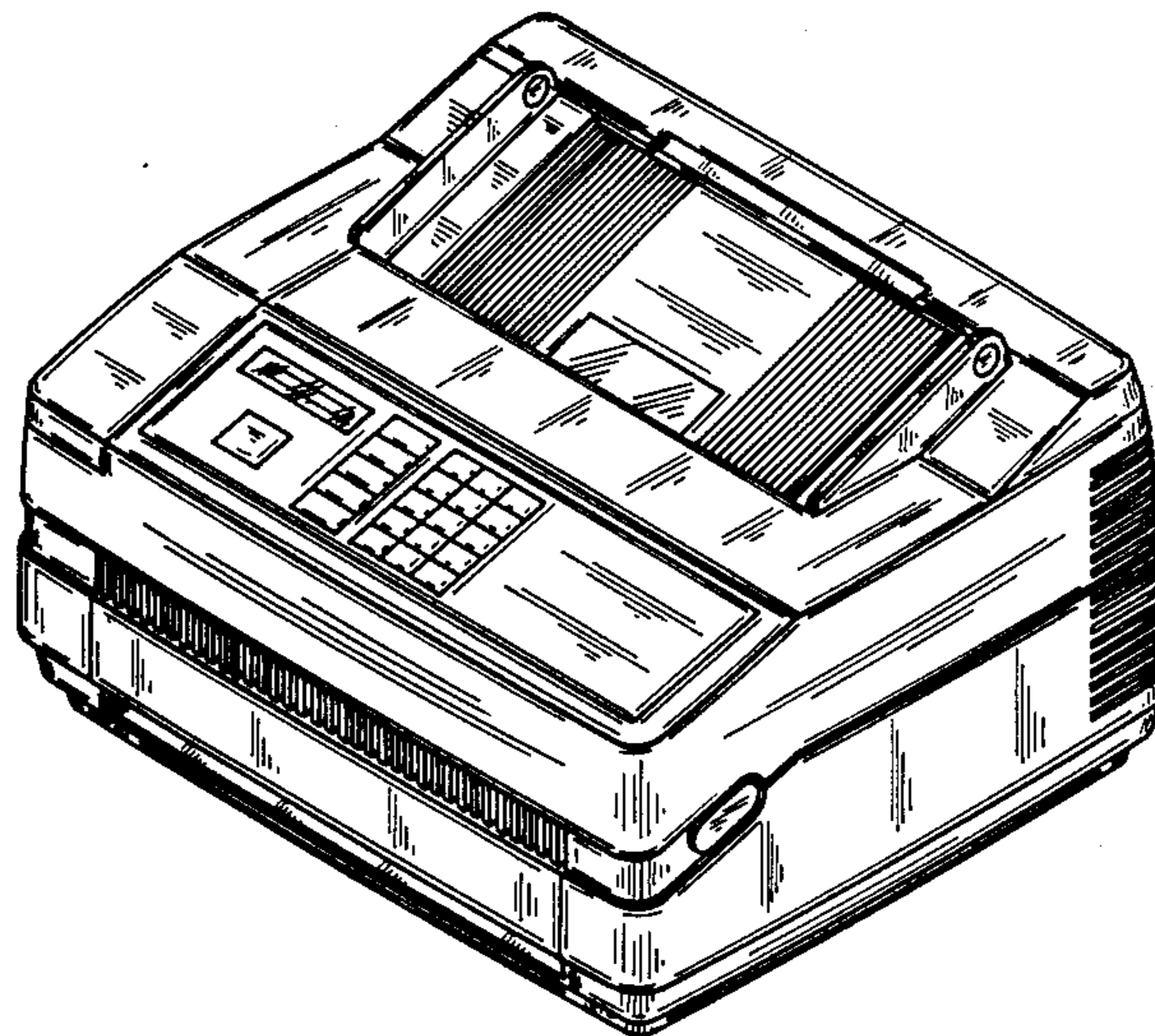
Primary Examiner—Bernard Ansher
Assistant Examiner—Theodore M. Shooman
Attorney, Agent, or Firm—Flehr, Hohbach, Test,
Albritton & Herbert

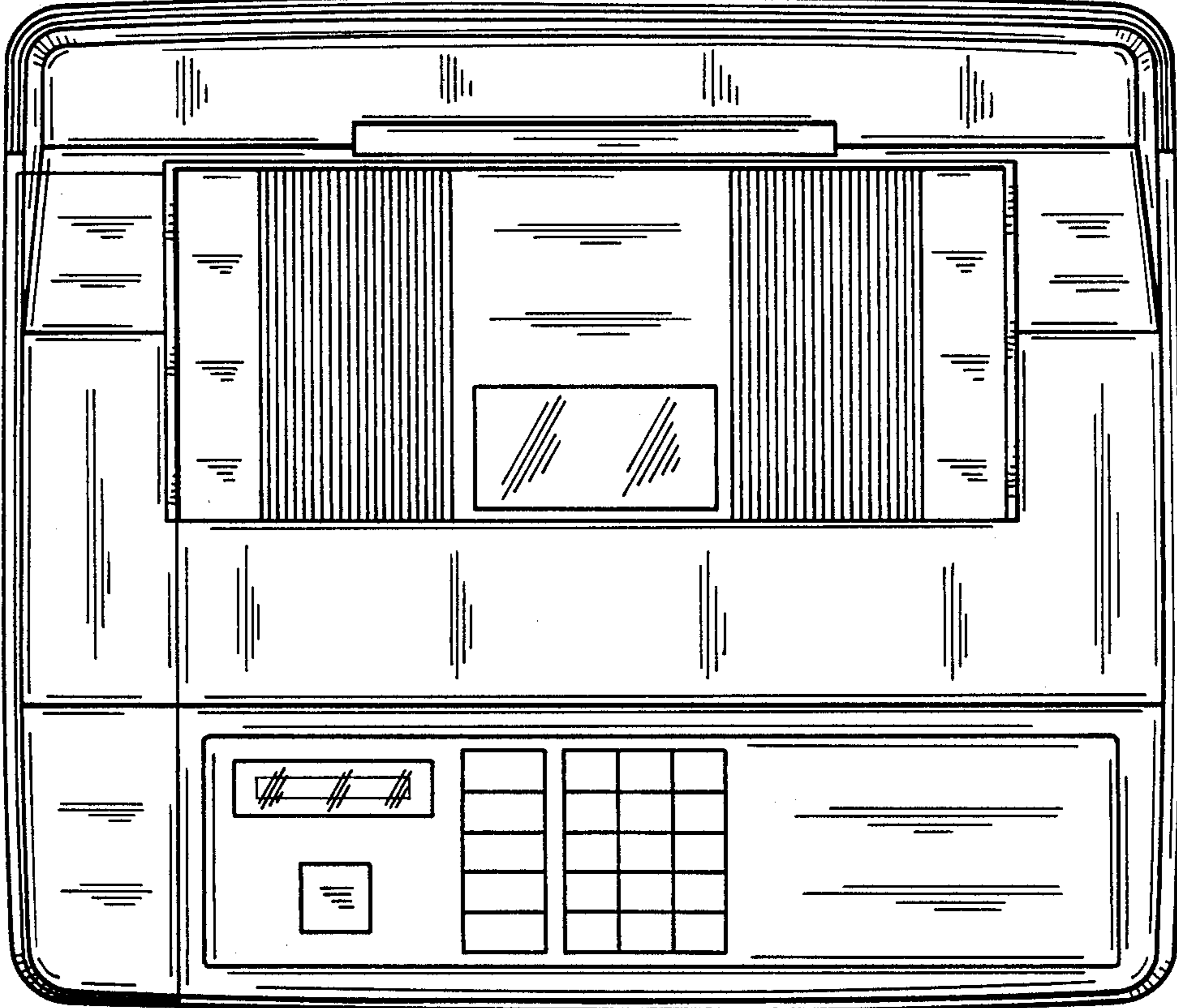
[57] CLAIM

The ornamental design for a facsimile, as shown and described.

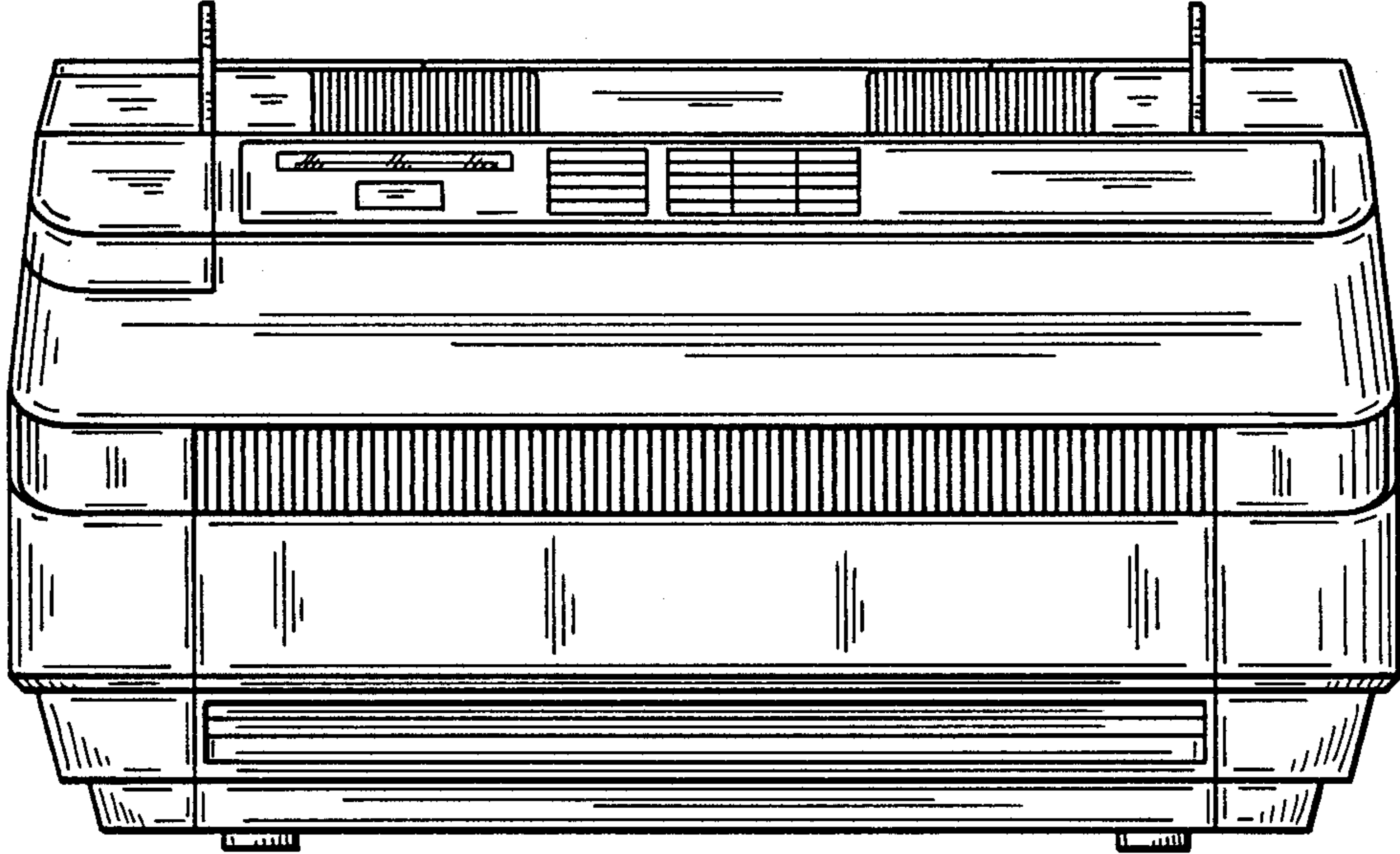
DESCRIPTION

FIG. 1 is a top plan view of a facsimile showing our new design;
FIG. 2 is a bottom plan view thereof;
FIG. 3 is a front elevational view thereof;
FIG. 4 is a rear elevational view thereof;
FIG. 5 is a right side elevational view thereof;
FIG. 6 is a left side elevational view thereof; and
FIG. 7 is a top, front and right side perspective view thereof.

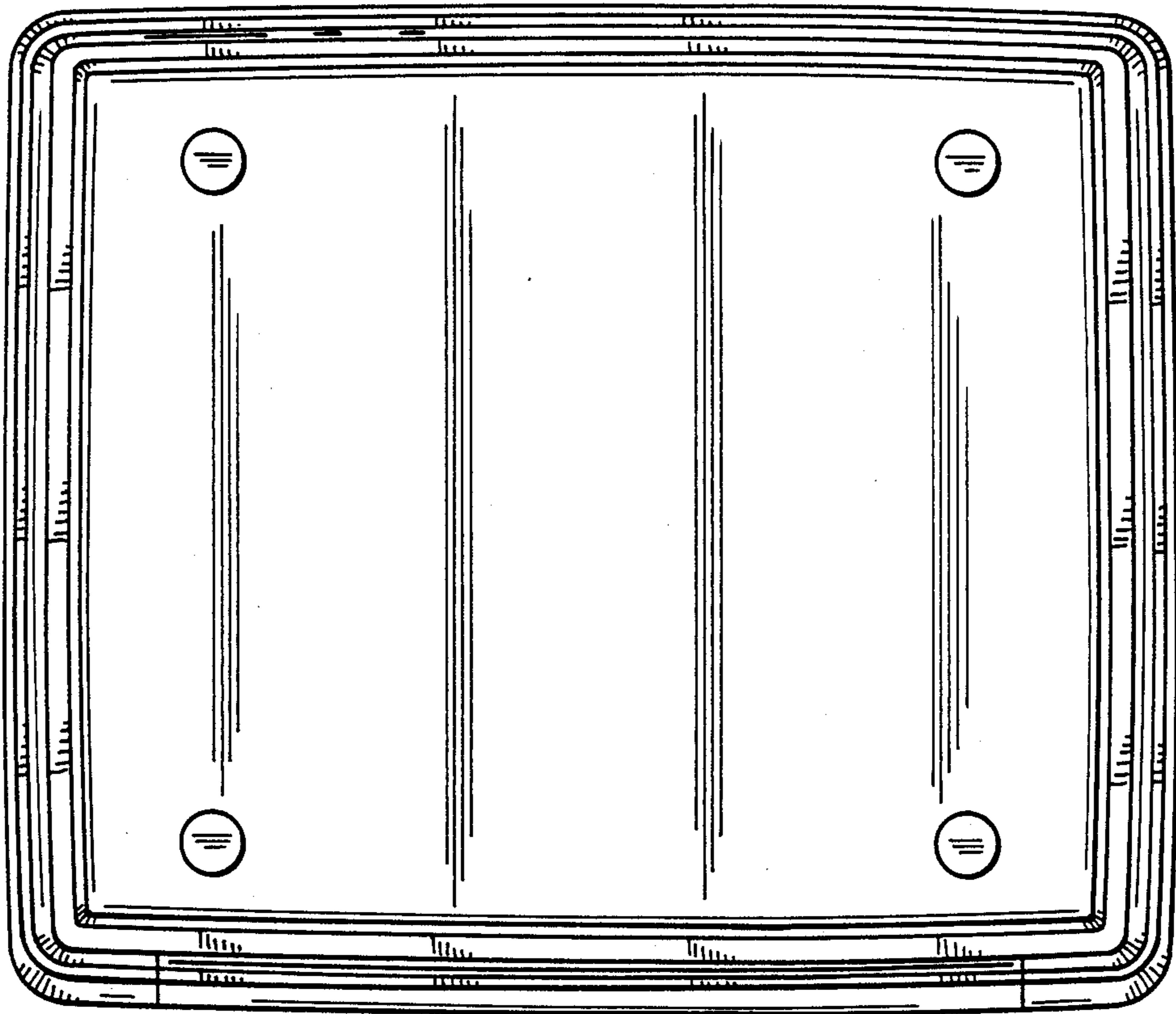




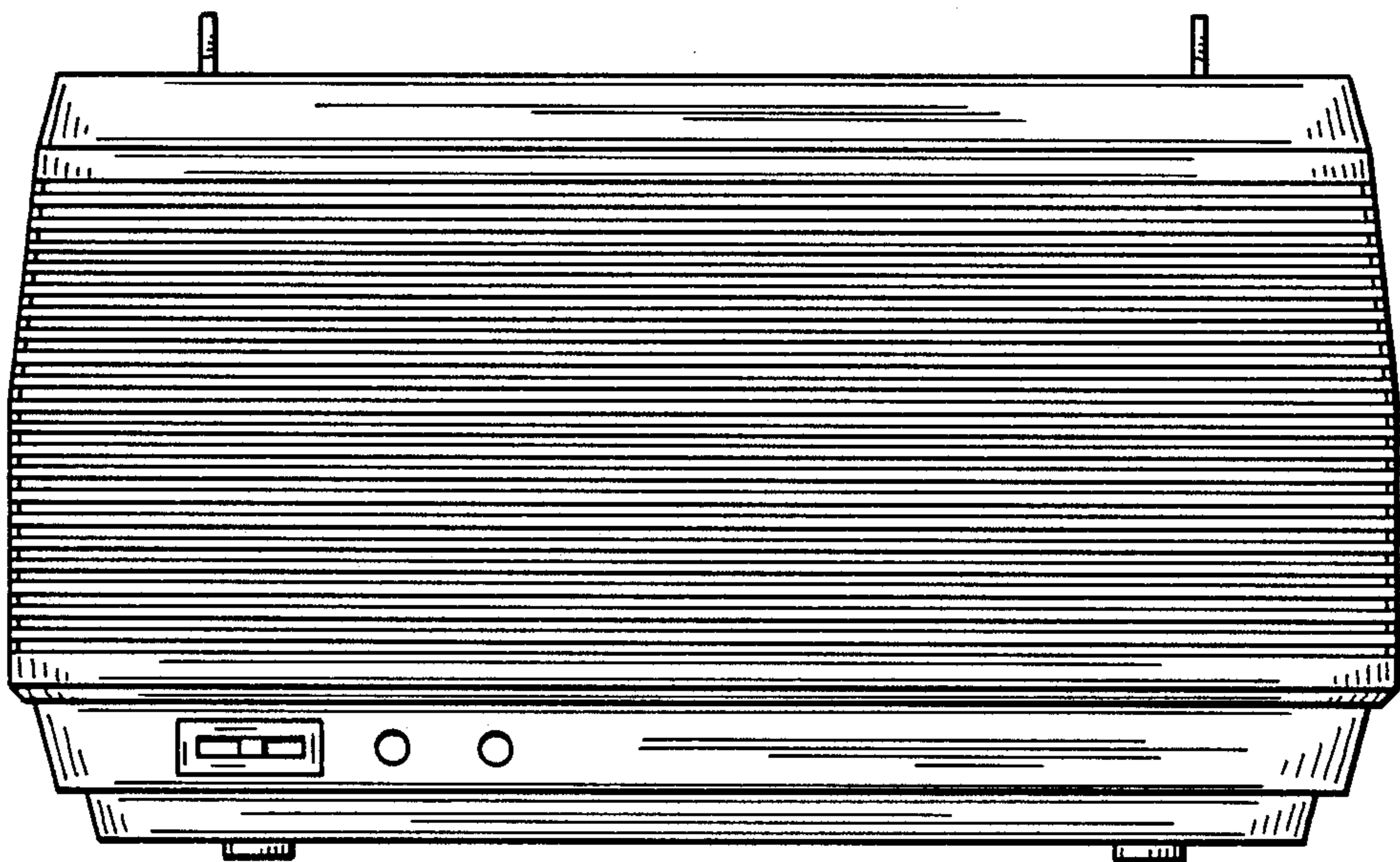
FIG_1



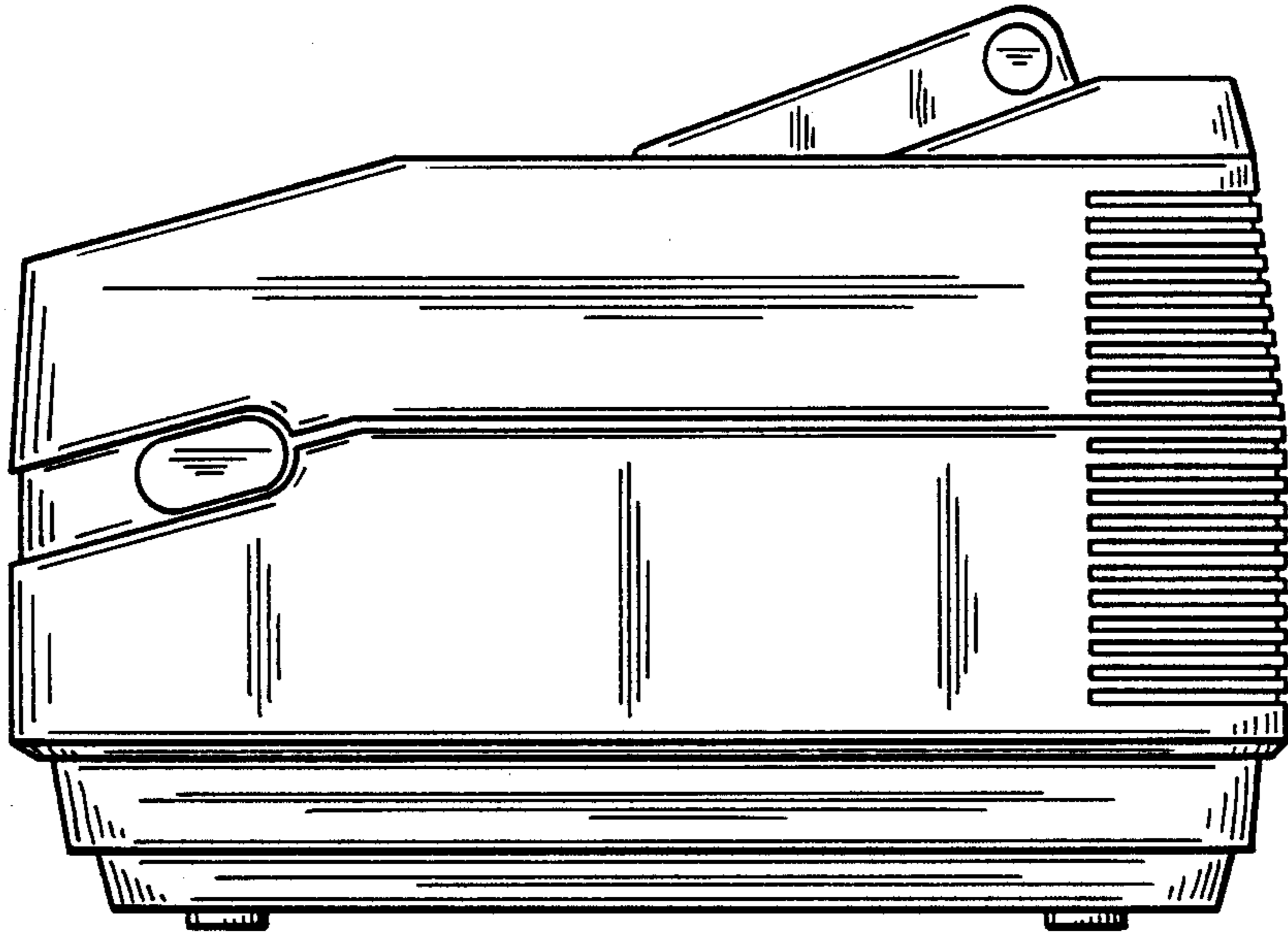
FIG_3



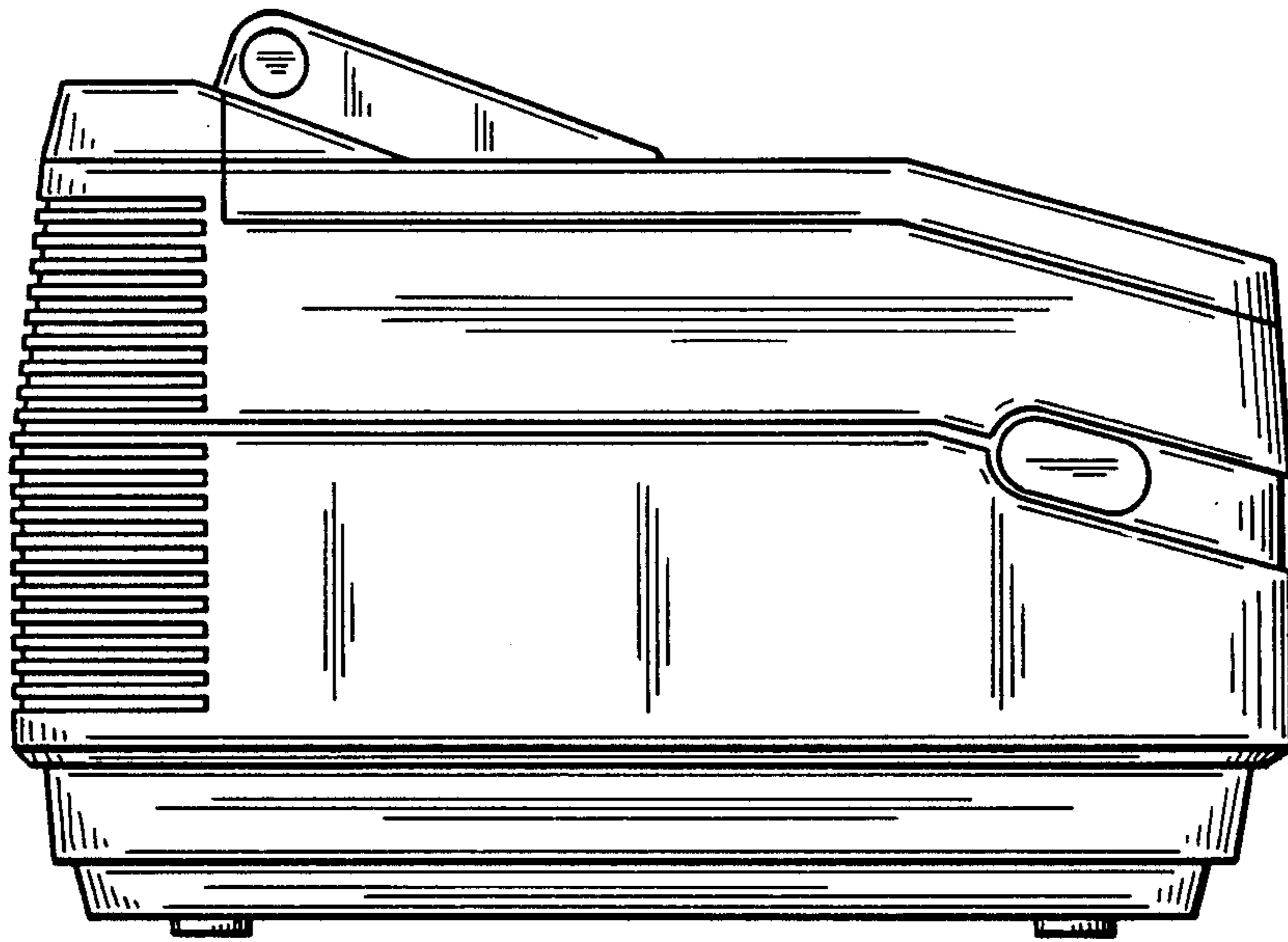
FIG_2



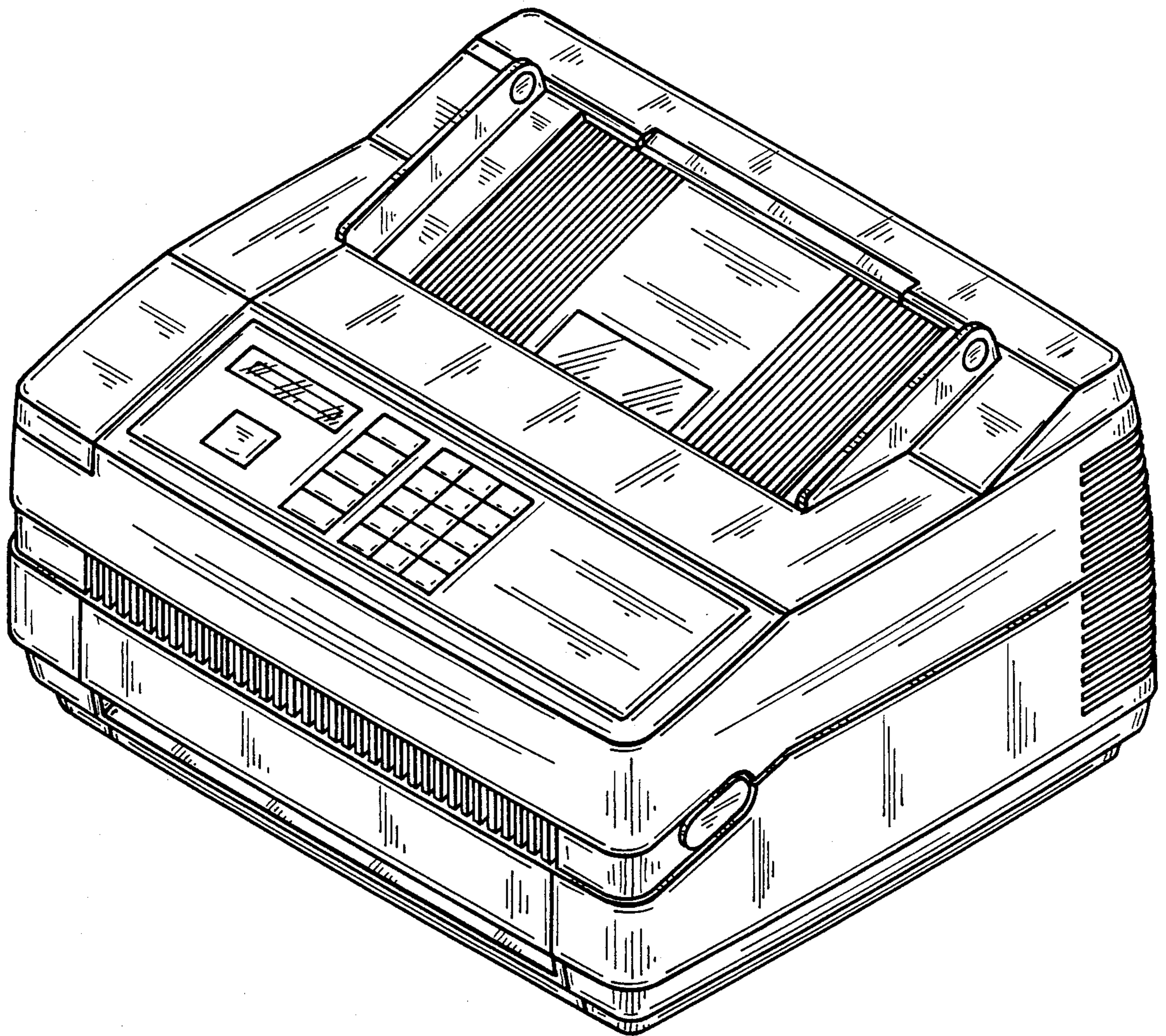
FIG_4



FIG_5



FIG_6



FIG_7