

[54] **RADIO**

[75] **Inventor:** Hein Wilke,
Stammham-Westerhofen, Fed. Rep.
of Germany

[73] **Assignee:** Brunnquell GmbH Fabrik
electrotechnischer Apparate,
Ingolstadt, Fed. Rep. of Germany

[**] **Term:** 14 Years

[21] **Appl. No.:** 915,725

[22] **Filed:** Oct. 6, 1986

[30] **Foreign Application Priority Data**

Apr. 7, 1986 [DE] Fed. Rep. of Germany 11 AR
260/86

Apr. 14, 1986 [DE] Fed. Rep. of Germany 11 AR
282/86

[52] **U.S. Cl.** D14/190; D14/195

[58] **Field of Search** D14/1, 5, 6, 68-77,
D14/79, 80, 81; D21/113; 455/344, 347, 350,
351

[56] **References Cited**

U.S. PATENT DOCUMENTS

D. 168,907	2/1953	Petzold	D14/75
D. 221,899	9/1971	Benjamin	D14/70
D. 239,201	3/1976	Ohta	D14/73
D. 244,718	6/1977	Emmerling	D14/70
D. 253,822	1/1980	Hamada et al.	D14/71 X

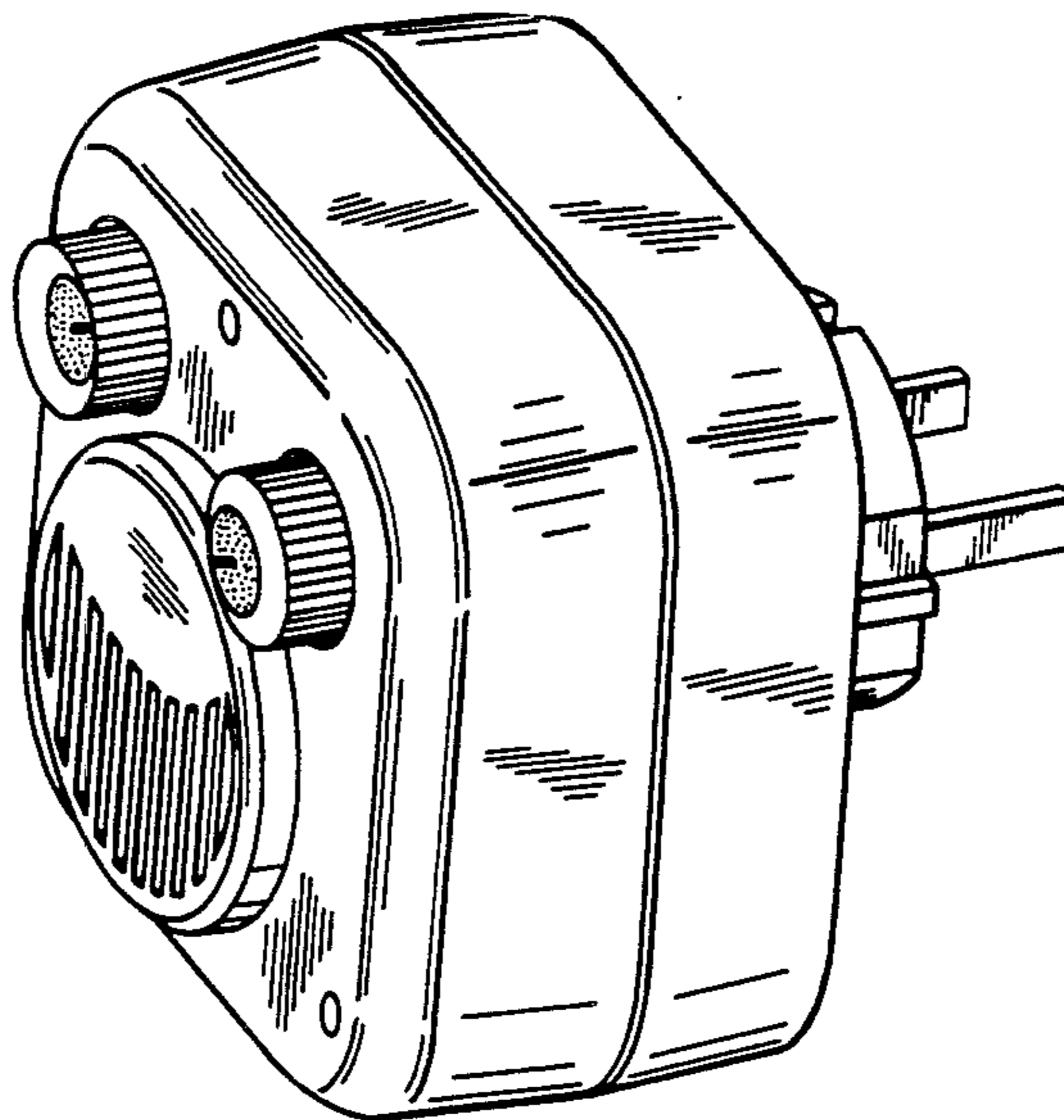
Primary Examiner—Bernard Ansher
Assistant Examiner—Theodore M. Shooman
Attorney, Agent, or Firm—Spencer & Frank

[57] **CLAIM**

The ornamental design for a radio, as shown and described.

DESCRIPTION

FIG. 1 is a top, front and right side perspective view of a radio showing my new design;
FIG. 2 is a front elevational view thereof;
FIG. 3 is a right side elevational view thereof, the left side being a mirror image;
FIG. 4 is a top plan view thereof;
FIG. 5 is a bottom plan view thereof; and,
FIG. 6 is a rear elevational view thereof.



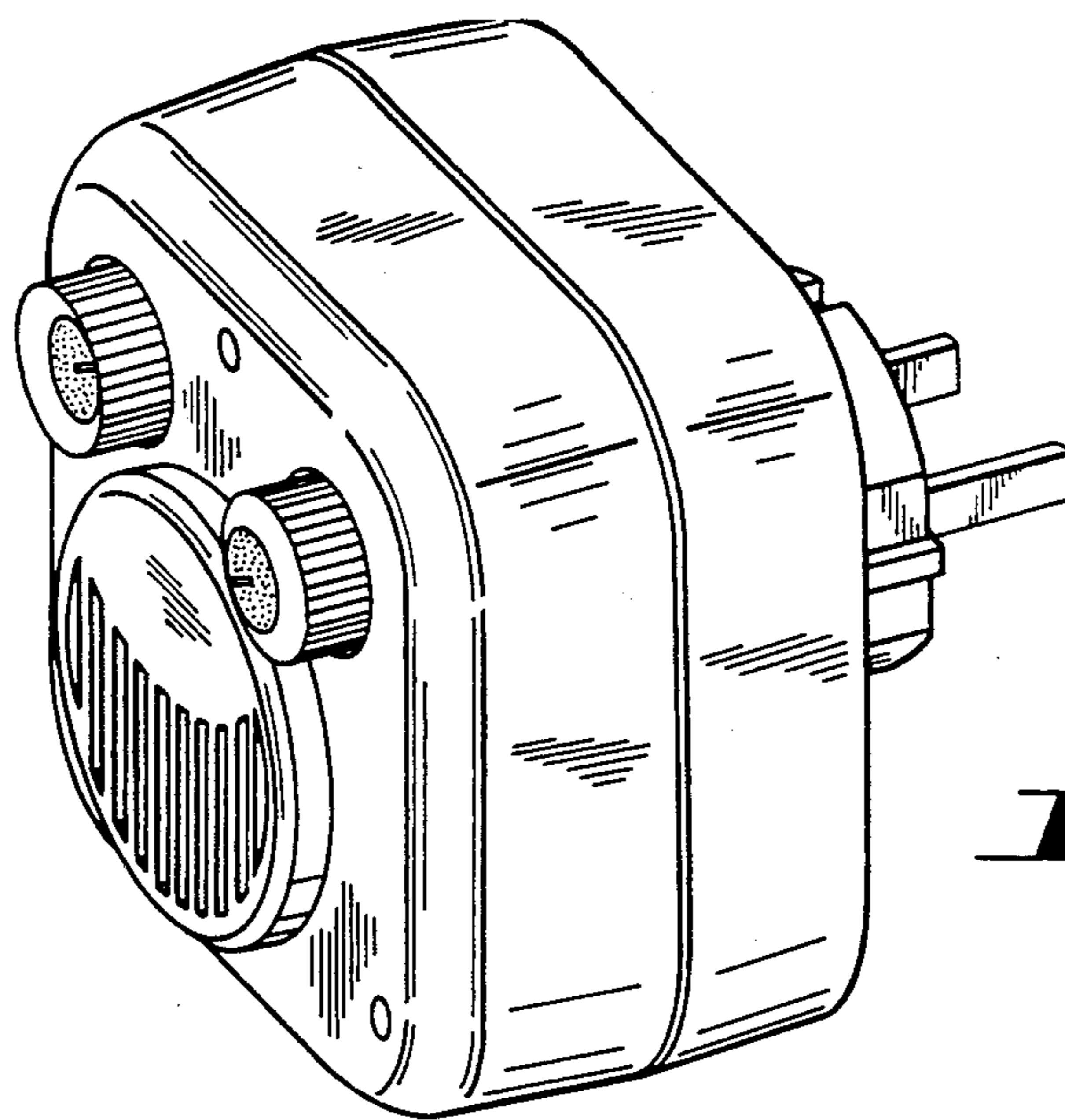


Fig. 1

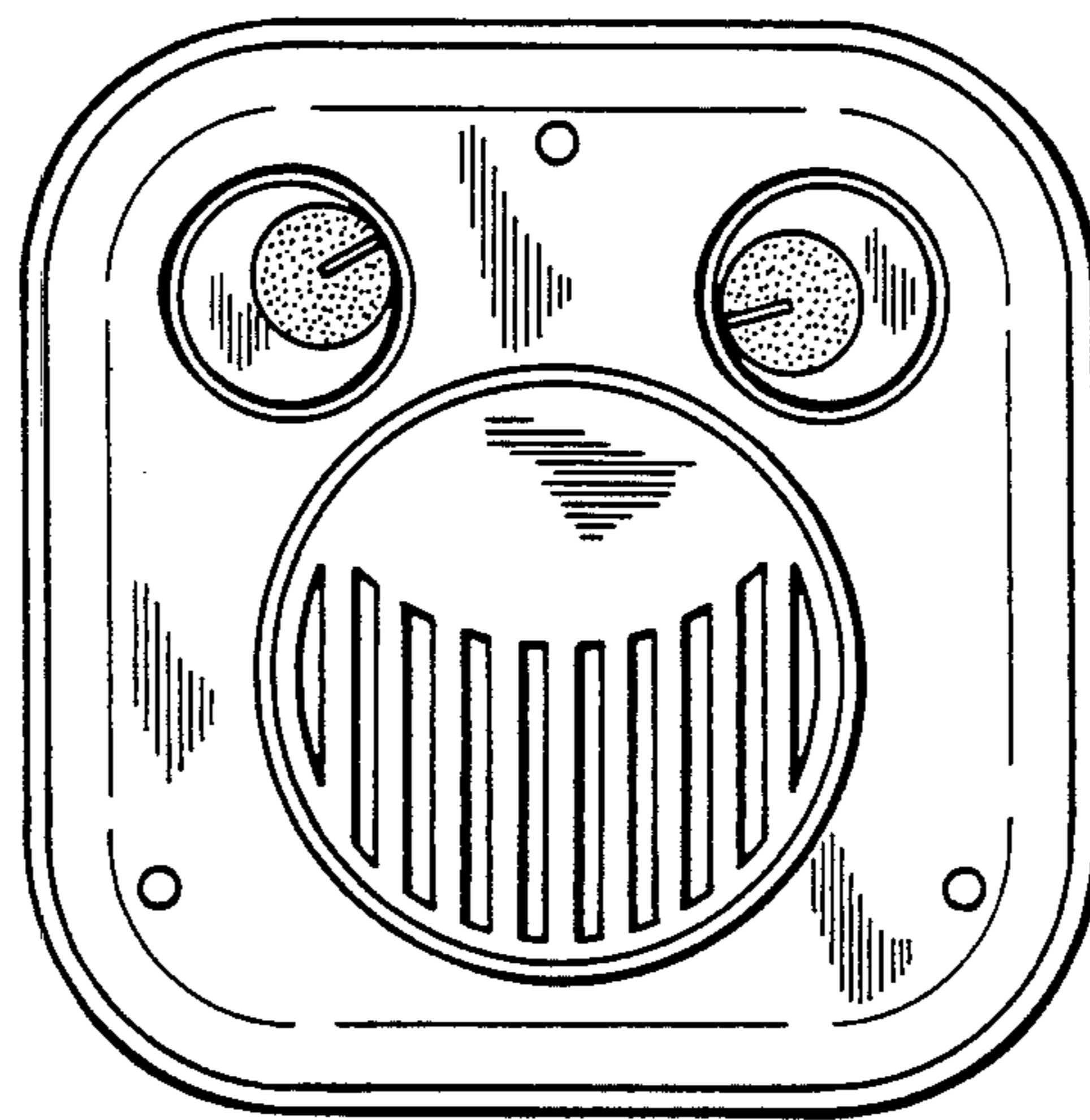


Fig. 2

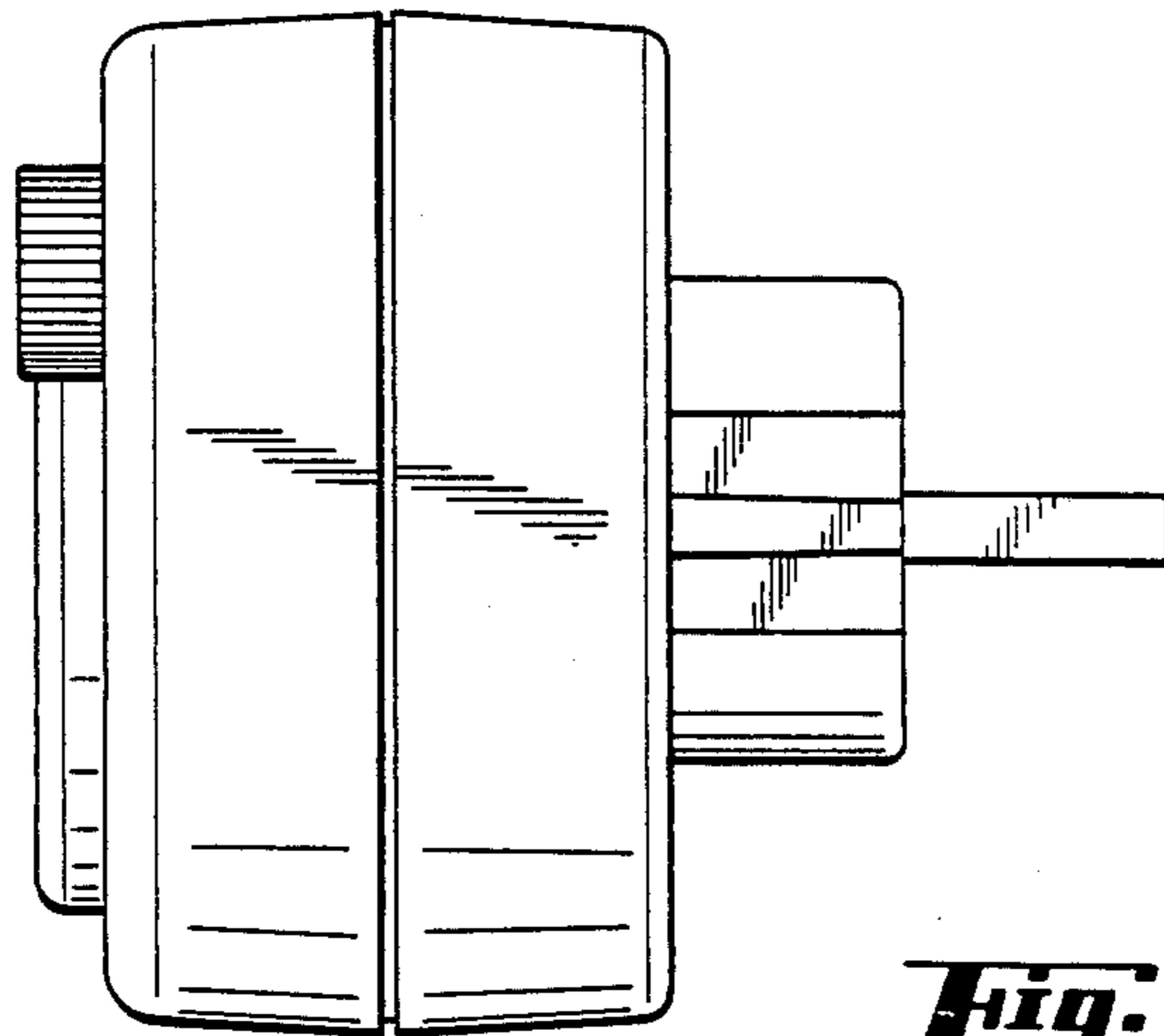


Fig. 3

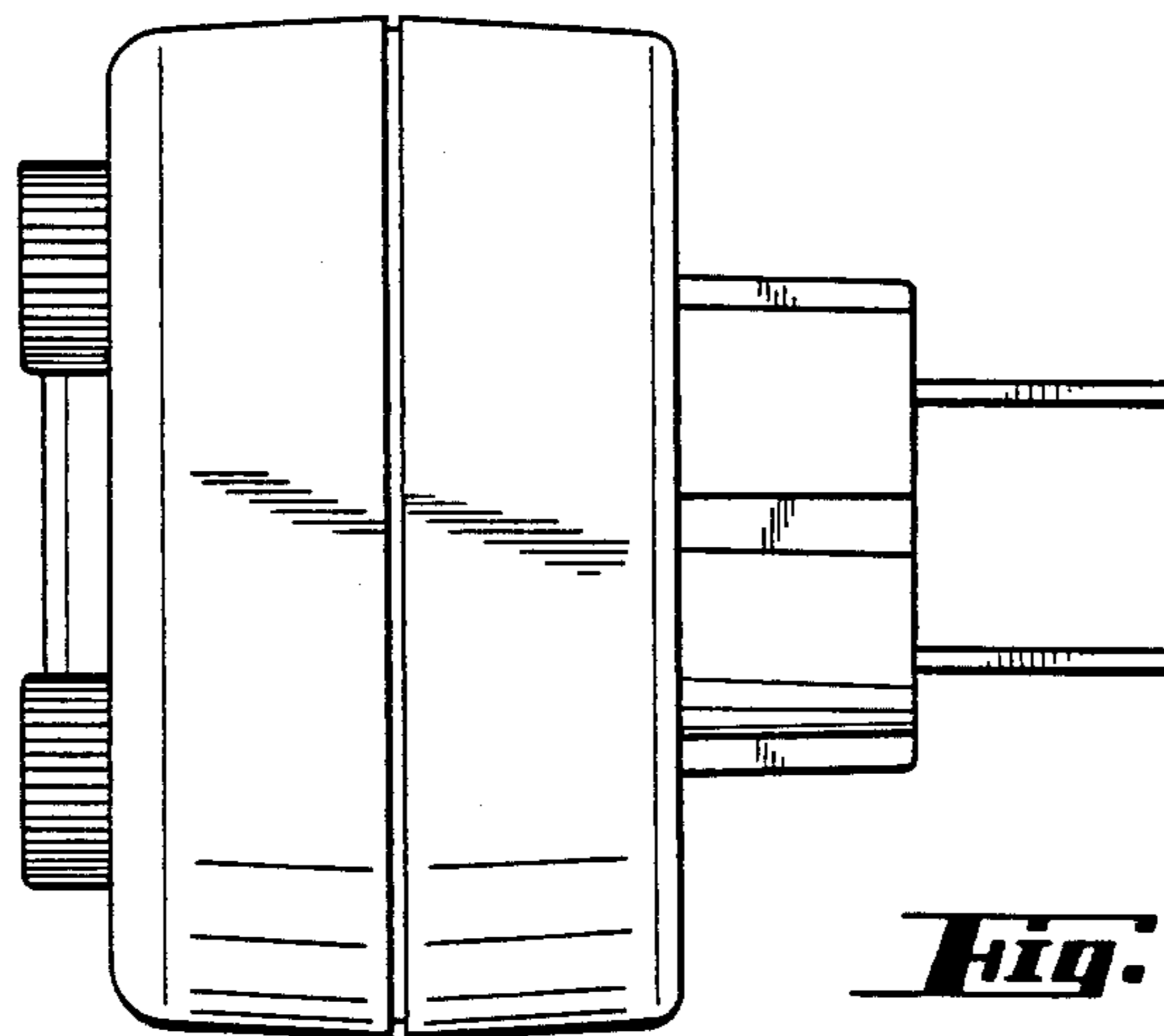


Fig. 4

Fig. 5

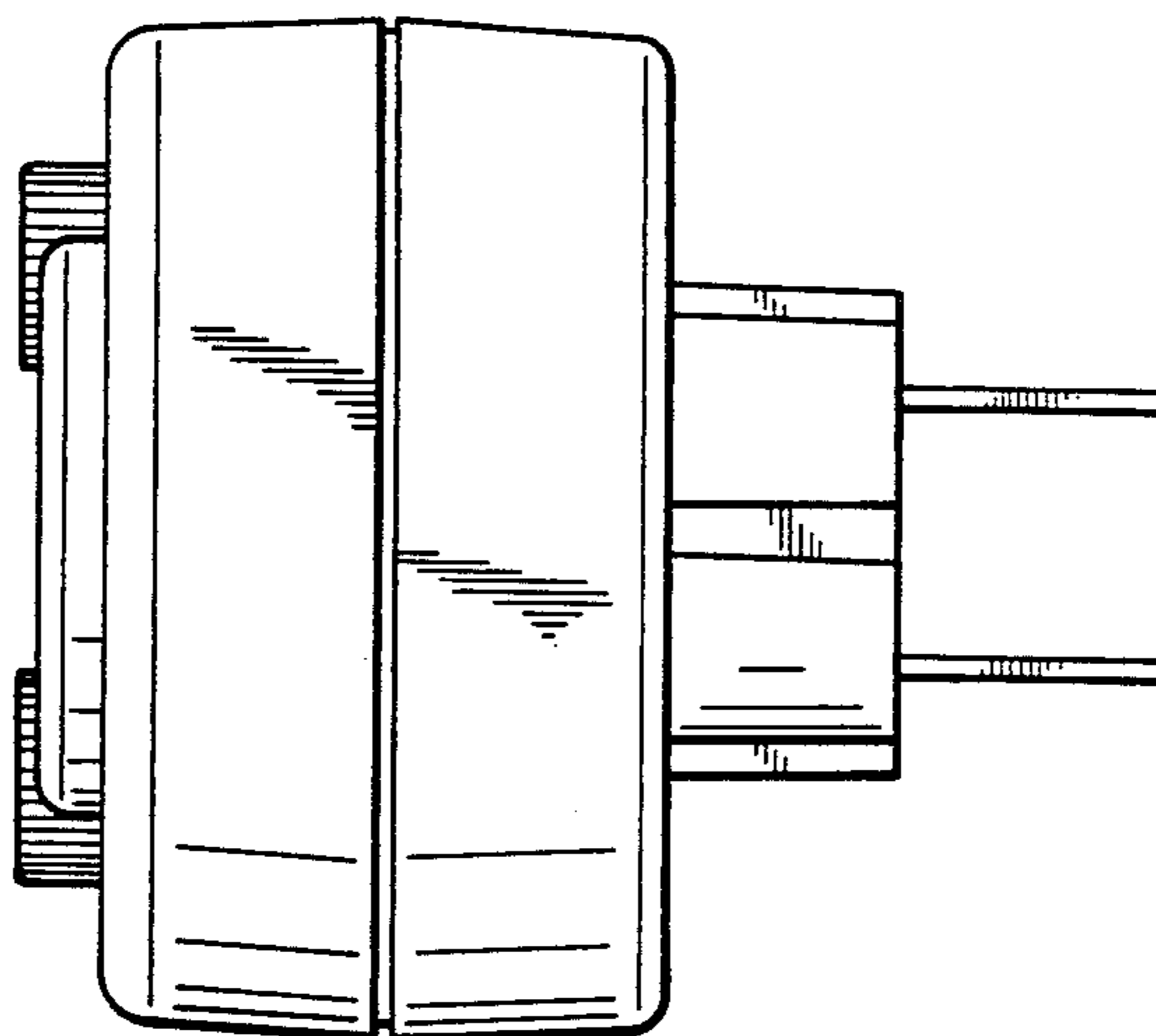


Fig. 6

