

[54] **TRIGGER ACTUATED SWITCH**  
[75] **Inventors: Kazuhiro Yamaguchi; Hiroji Fujimoto, both of Yokohama, Japan**  
[73] **Assignee: Satori Switch Industry Co., Ltd., Kanagawa, Japan**  
[\*\*] **Term: 14 Years**  
[21] **Appl. No.: 821,147**  
[22] **Filed: Nov. 26, 1985**  
[52] **U.S. Cl. .... D13/32**  
[58] **Field of Search .... D13/32, 33, 99; 200/61.58 R, 61.85, 70, 74, 78, 275, 293-294, 321, 157**

4,329,555 5/1982 Wied ..... 200/157  
4,348,603 9/1982 Huber ..... 200/157  
4,381,037 4/1983 Cuneo ..... 200/321  
4,667,119 5/1987 Holmes ..... 200/157

*Primary Examiner*—Bruce W. Dunkins  
*Assistant Examiner*—Ruth Takemoto  
*Attorney, Agent, or Firm*—Wenderoth, Lind & Ponack

[57] **CLAIM**

The ornamental design for a trigger actuated switch, as shown.

**DESCRIPTION**

FIG. 1 is a side elevation view of a trigger actuated switch showing my new design;  
FIG. 2 is a front elevational view thereof;  
FIG. 3 is a rear elevational view thereof;  
FIG. 4 is a top plan view thereof;  
FIG. 5 is a bottom plan view thereof; and  
FIG. 6 is a perspective view seen from the top, rear and one side.

[56] **References Cited**  
**U.S. PATENT DOCUMENTS**  
4,118,615 10/1978 Leibundgut ..... 200/293  
4,271,342 6/1981 Sistare ..... 200/321

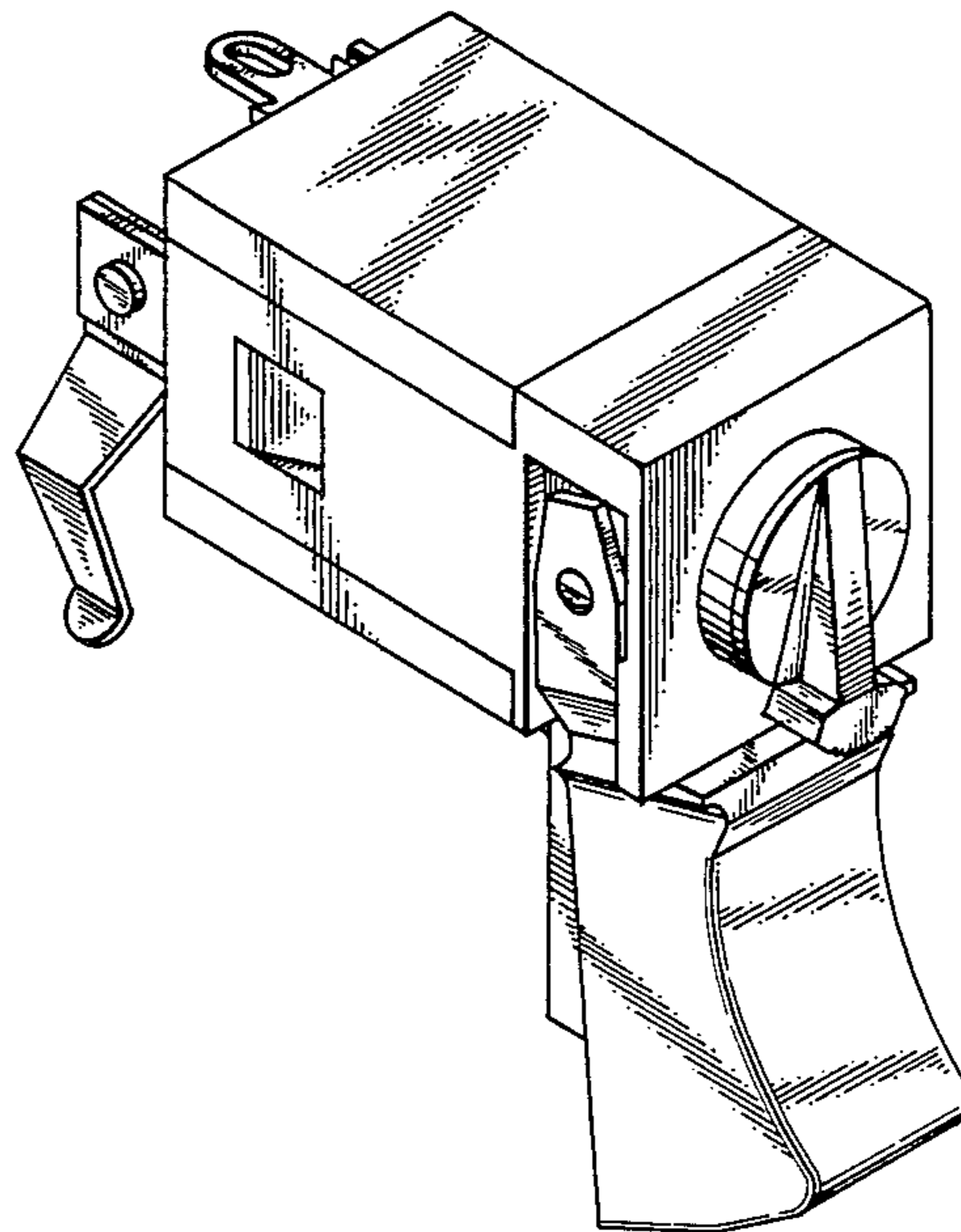


FIG. 1.

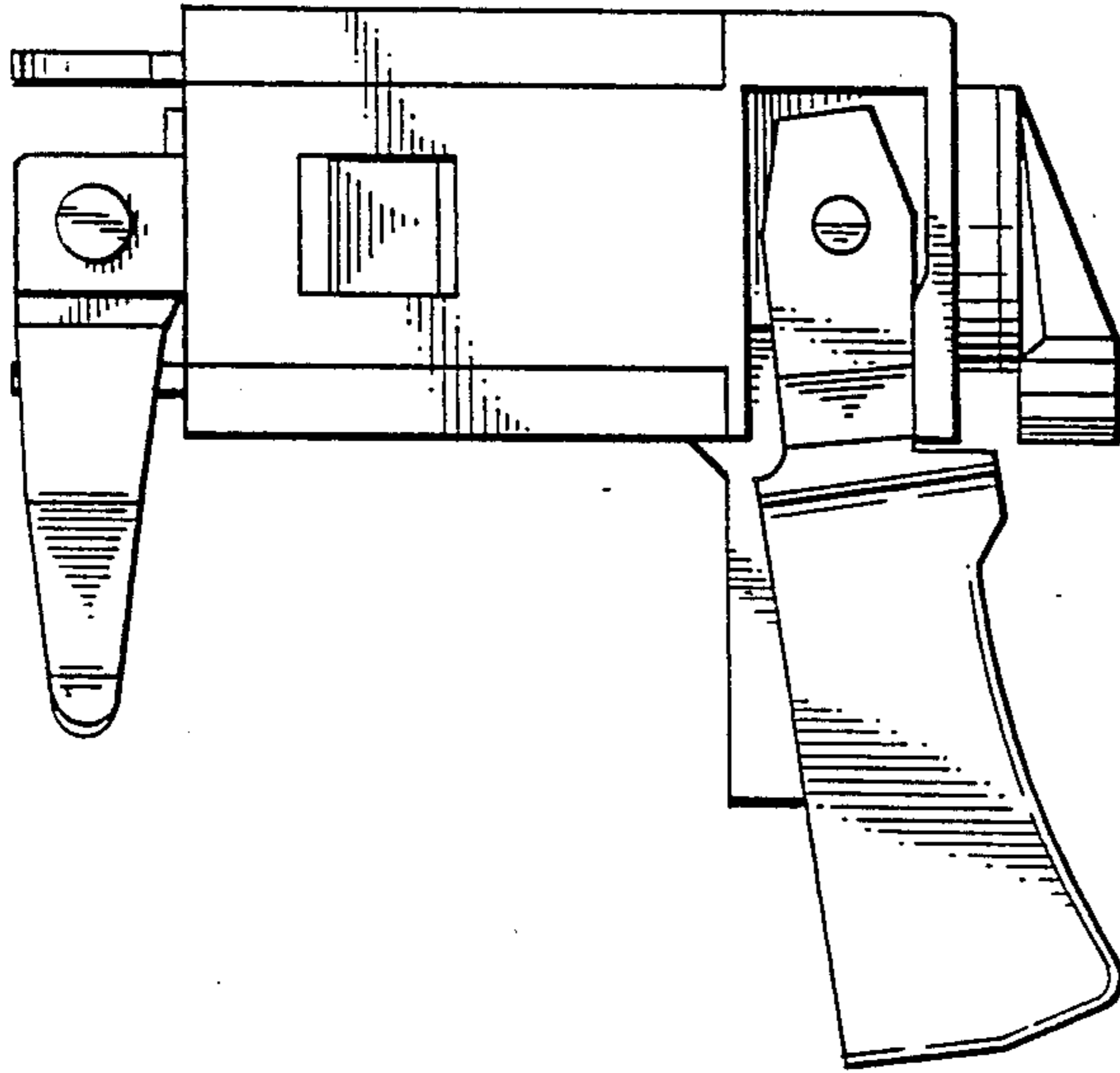


FIG. 2.

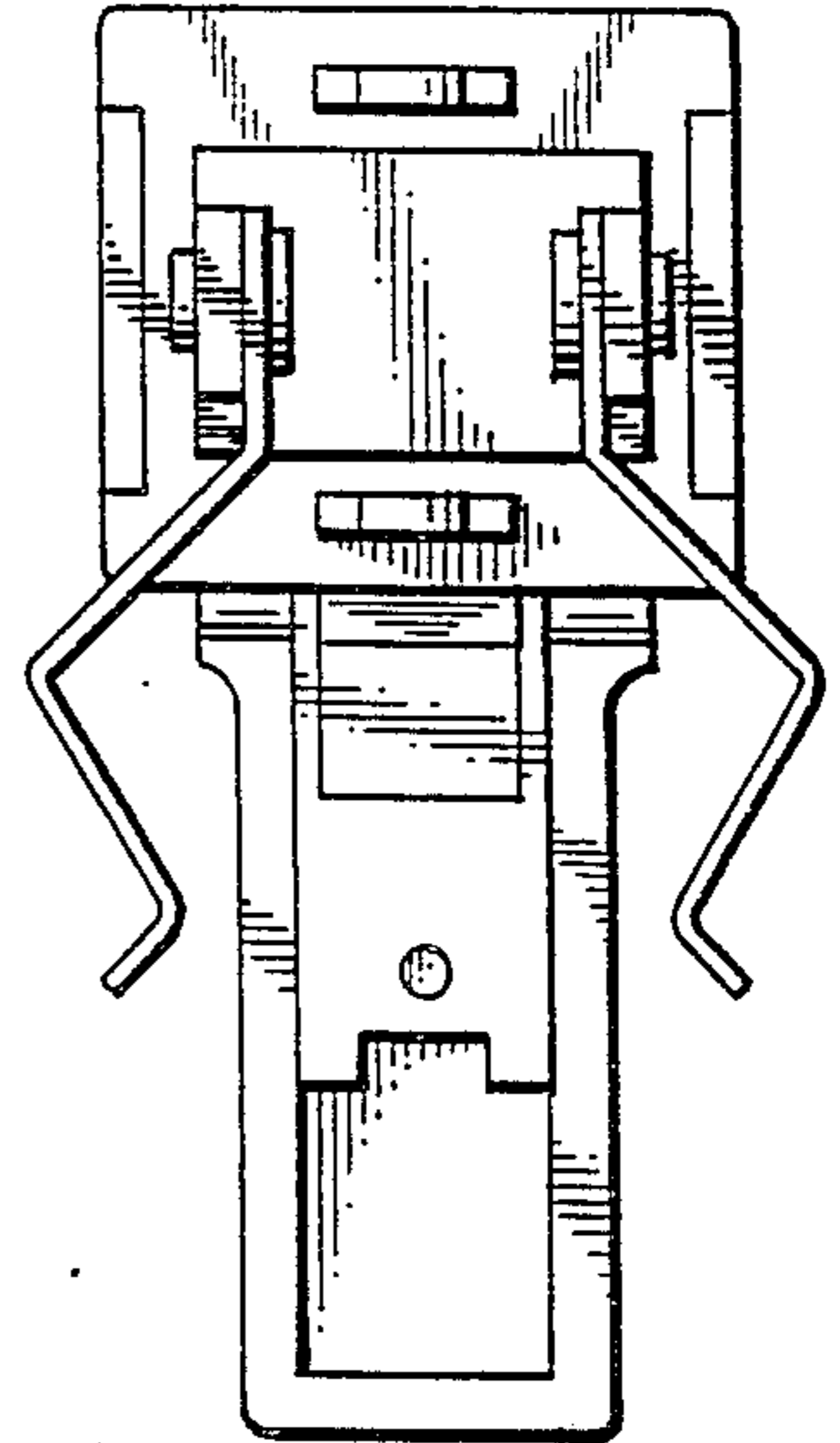


FIG. 3.

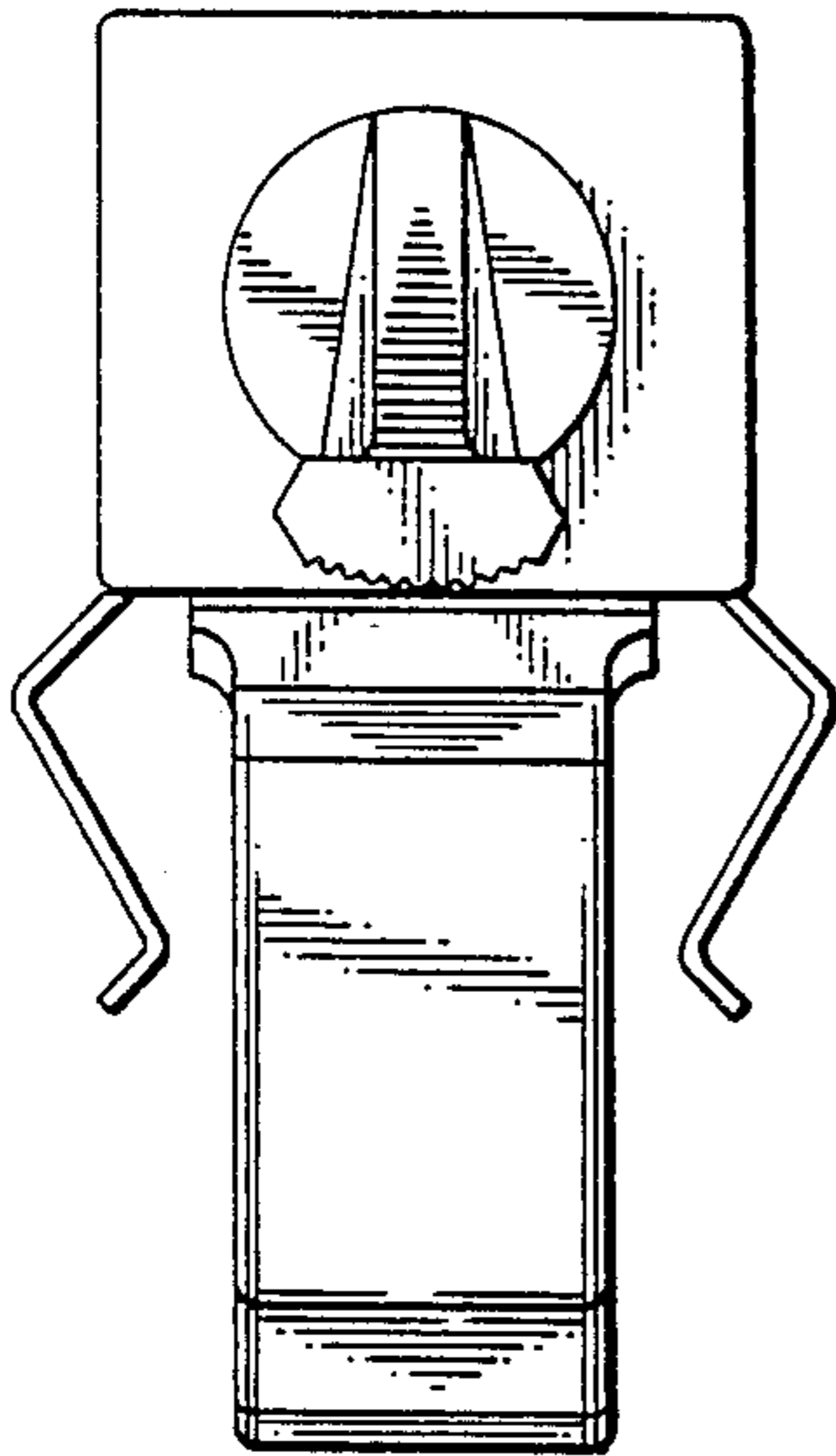


FIG. 4.

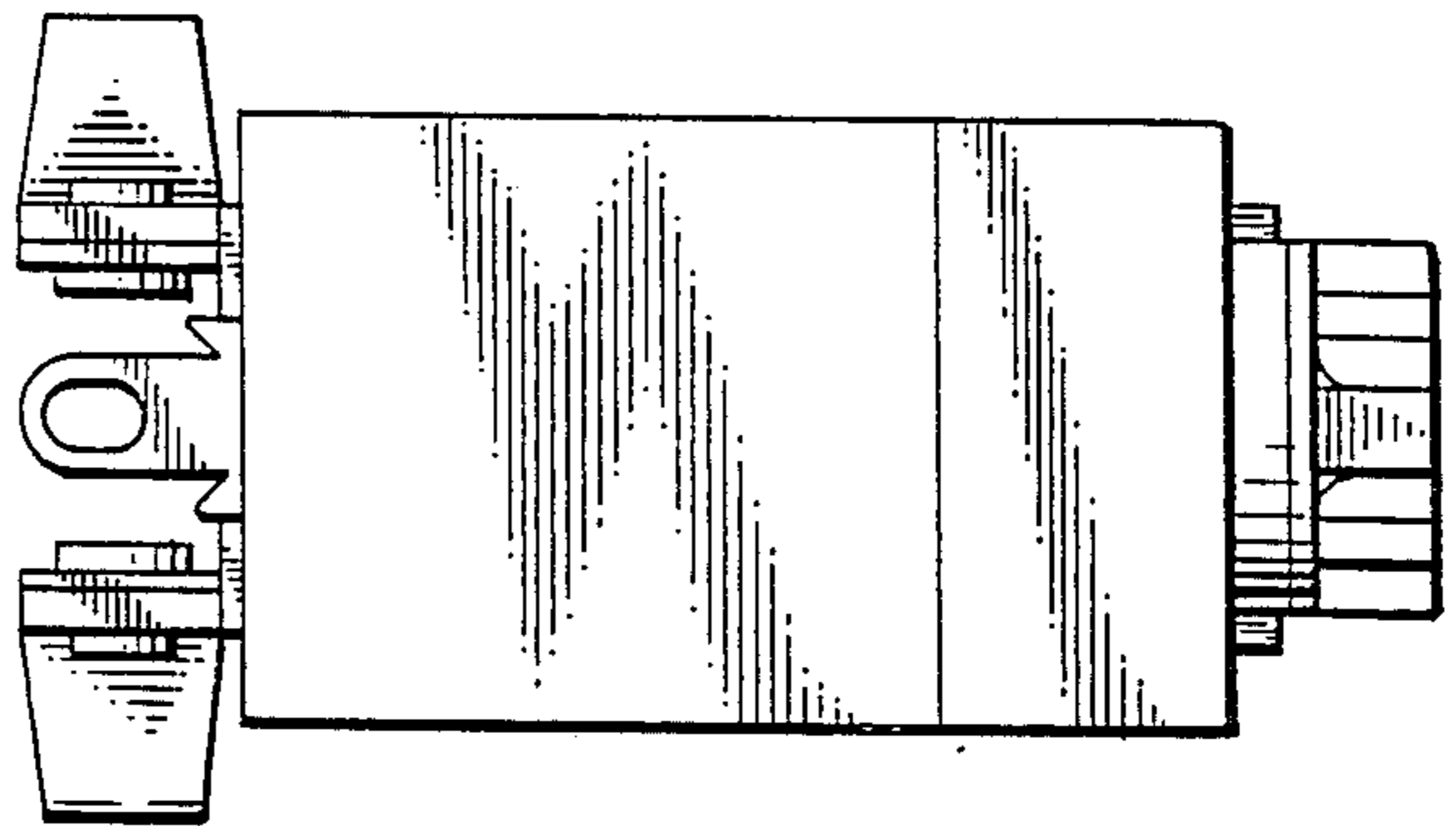
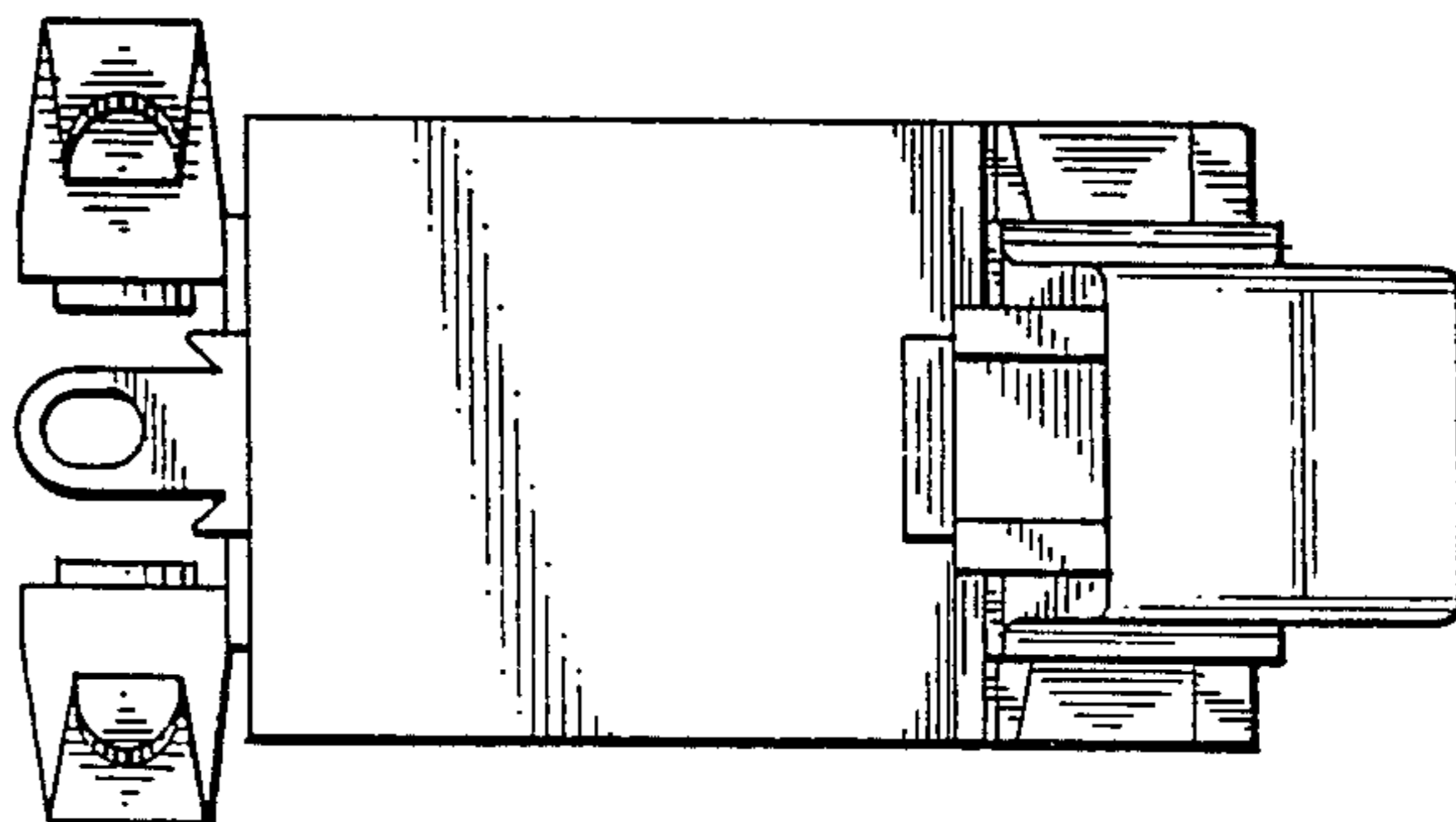


FIG. 5.



*FIG. 6*

